

# Diversity and pattern of inheritance of autoantibodies in families with multiple cases of systemic lupus erythematosus

Yehuda Shoenfeld, Hanoch Slor, Sheike Shafir, Irit Krause, Julio Granados, Gilda M Villarreal, Donato Alarcón-Segovia

## Abstract

The pattern of inheritance of autoantibodies in eight families chosen from a pool of 110 families of patients with systemic lupus erythematosus (SLE) is described. In all the eight families at least two members were already affected by SLE. In total, 19 patients and 43 first degree relatives were examined.

The inheritance of a large set of antinuclear antibodies (for example, DNA, Sm, RNP, Ro, La, histones) and 16/6 idiotype seemed to be related to some unknown genetic factors but not related to HLA. The presence of numerous antinuclear autoantibodies in the serum of a subject was not necessarily associated with overt disease. The incidence of the 16/6 idiotype among patients and their relatives was low.

It is not yet clear whether the 'autoantibody burden' is greater in families with multiple cases of SLE than in families with single cases.

In almost all known autoimmune diseases there is a tendency for these conditions to run in families. This may occur as a greater incidence of a given disorder in relatives of patients than in a control group,<sup>1-4</sup> or as an increased incidence of other autoimmune diseases in family members of patients with specific disorders.<sup>5,6</sup>

The appearance of systemic lupus erythematosus (SLE) in identical twins was reported in 1951 by Davis and Guttridge,<sup>7</sup> and five years later Glagov and Gechman diagnosed SLE in both a mother and her daughter.<sup>8</sup>

In 1964 Leonhardt published the results of a larger study which compared 113 patients with SLE and about 500 of their relatives with a group of 324 subjects consisting of patients' spouses and their relatives.<sup>9</sup> When summarising his study, Leonhardt again suggested the existence of a genetic tendency towards this autoimmune disease.

Winchester and Núñez-Roldán studied 33 families with two or more cases of lupus and found a parent offspring concordance in 15.<sup>10</sup> They estimated that the susceptibility to lupus is determined by at least four independently segregating genes, some of which seem to have a dominant mode of inheritance.

Not only do autoimmune diseases themselves develop with an increased incidence among family members but laboratory findings related to these diseases are also found with an increased incidence in asymptomatic relatives of patients known to have autoimmune disorders. As already mentioned, Leonhardt described

hypergammaglobulinaemia in asymptomatic siblings of patients with SLE,<sup>1</sup> and linked this finding to the hereditary state related to the development of the disease itself. In 1960 Holman and Deicher reported hypergammaglobulinaemia in 11 of 57 relatives of patients with SLE belonging to 18 families, and a borderline (upper limit of normal) level in an additional 10 relatives.<sup>11</sup> Furthermore, they found that 14% of the asymptomatic relatives had serological findings commonly detected in patients with rheumatoid arthritis, compared with 6% in the control group. Simultaneously, Pollack *et al* reported the presence of 'antinuclear factor' in 19 of 36 first degree relatives of 12 patients with SLE and in five of 14 second degree relatives.<sup>12</sup> These positive findings were significantly more prevalent among female relatives (17 of 26 women (65%) than among male relatives (seven of 24 men (29%)). The control group included 50 patients with other diseases, all unrelated to SLE, of whom only one was found to be antinuclear factor positive, and 40 healthy subjects, all negative. In a later study an antinuclear antibody was found in 47 first degree relatives of 43 patients with SLE and in 10 of 70 second degree relatives.<sup>13</sup> Overt autoimmune disease (SLE or scleroderma) developed in three families, among relatives who were asymptomatic at the time of the detection of autoantibodies. An increased prevalence of anticardiolipin antibodies among lupus family members has also been reported by Mackworth-Young *et al*.<sup>14</sup>

This study aimed at describing eight families with multiple cases of SLE and determining their genetics and diversity of serological manifestations.

## Patients and methods

### PATIENTS AND FAMILIES

The eight families were chosen from a pool of 110 Mexican families of patients with SLE. In all the families at least two members were already affected by SLE. In each family an effort was made to analyse serum samples from as many first degree members as possible. In total, 19 patients and 43 first degree relatives were examined.

### CONTROLS

Serum samples of 38 controls were screened for the different autoantibody specificities. The cut off point for each autoantibody was determined. Values equal to or above the mean of the normal value plus three standard deviations were considered positive. Values between the

Research Unit of Autoimmune Diseases, Department of Medicine "B", Sheba Medical Center, Tel-Hashomer, Israel

Y Shoenfeld  
I Krause

Department of Genetics, Sacker Tel-Aviv University Medical School, Tel-Aviv, Israel  
H Slor  
S Shafir

Department of Immunology and Rheumatology, Instituto Nacional de la Nutrición "Salvador Zubirán", Mexico City, Mexico  
J Granados  
G M Villarreal  
D Alarcón-Segovia

Correspondence to: Dr Y Shoenfeld, Department of Medicine "B", Sheba Medical Center, Tel-Hashomer 52621, Israel.

Accepted for publication 3 May 1991

mean of the control value plus two standard deviations and the control value plus three standard deviations were considered borderline.

#### AUTOANTIBODY DETERMINATIONS

Titres of the following autoantibodies were determined by enzyme linked immunosorbent assay (ELISA). Antibodies against calf thymus single stranded DNA (ssDNA; denatured DNA), double stranded DNA (dsDNA; Sigma Chemicals, St Louis, MO, USA) were measured as previously described.<sup>15</sup> Ninety six well flat bottomed ELISA plates (Dynatech Atlanta, GA, USA) were sequentially coated with 50 µg/ml of poly-L-lysine (Sigma), the antigen in question (2 µg/well), and, after washing, poly-L-glutamate (50 µg/ml). After two hours of blocking with 2% bovine serum in TRIS buffer saline the plates were washed and serial dilutions of serum samples were added and incubated for two hours. Then goat antihuman immunoglobulin conjugated with alkaline phosphatase (Sigma) was applied. Absorbance was measured at 405 nm directly from microtitre wells with a Titertek spectrophotometer.

Antibodies to histones<sup>16</sup> and anticardiolipin antibodies were detected as detailed elsewhere.<sup>15-17</sup> Polystyrene plates were coated overnight with 5 µg/ml cardiolipin (Sigma) in ethanol solution until evaporation. The plates were blocked, diluted serum samples were applied, and the enzymatic reaction took place as detailed above.

Antinuclear antibodies (Sm, RNP, SSA, SSB) were detected using autoantigens extracted from fresh thymus cells.<sup>18</sup> The plates were coated with 5 µg/ml of the antigen and the procedure was carried out as described above.

Antinuclear antibodies and antibodies to dinitrophenyl, extractable nuclear antigens, tRNA, and mitochondria were also screened for, as described in detail previously.<sup>18</sup>

#### HLA AND COMPLEMENT STUDIES

##### Factor B

For factor B typing<sup>19</sup> EDTA plasma samples were electrophoresed in agarose gels in 0.05 M barbital buffer (pH 8.6) containing calcium lactate (1.8 mol/l). Patterns were identified by immunofixation with goat antihuman factor B (Atlantic Antibodies, Scarborough, ME, USA).

##### C2 typing

C2 typing was by isoelectric focusing in polyacrylamide gels.<sup>20</sup> Patterns were developed with an agarose gel overlay containing antibody sensitised sheep erythrocytes and fresh normal human serum diluted 1:90 in isotonic veronal buffered saline ( $10^{-3}$  M  $Mg^{2+}$  and  $1.5 \times 10^{-4}$  M  $Ca^{2+}$ ), pH 7.4, containing 0.1% gelatin.

##### C4 typing

For C4 typing plasma samples were desialated by incubation with *Clostridium perfringens* type VI neuraminidase (Sigma Chemicals) at an enzyme concentration of 10 U/ml plasma, for 15

hours at 4°C while dialysing against 0.1 M phosphate buffer, pH 6.8, containing 0.005 M  $Na_2EDTA$ .<sup>21</sup> The structural variants were detected by electrophoresis of desialated plasma in agarose gels and immunofixation with goat antihuman antiserum (Atlantic Antibodies). Half-null haplotypes were detected by crossed immunoelectrophoresis of desialated plasma samples.<sup>22</sup>

#### Nomenclature

The nomenclature used for the genetic polymorphisms of C4 conforms to the International System for Human Gene Nomenclature.<sup>23</sup> The specific C4 allele designation is that agreed at the 4th international workshop for the genetics of complement, 1982.<sup>24</sup> To date, six common variants (C4A\*1-6) and one null variant (C4A\*Q0) have been detected at the locus A of C4, and three common variants (C4B\*1-3) and one null variant (C4B\*Q0) at the locus B. In addition, a large number of rare variants have been identified at both loci.

Complement haplotypes are written in the following order: factor B (BF), C2, C4A, and C4B. Thus the complotype SC31 contains the alleles BF\*S, C2\*C, C4A\*3, and C4B\*1.

#### Glyoxalase I typing

Haemolysates were used for glyoxalase I typing in cellulose acetate electrophoresis in a 0.003 M TRIS, 0.03 M barbituric acid, 0.2 mM mercaptoethanol, 0.4 mM  $MgCl_2$  buffer, pH 8.0, at 200 V for one hour. Plates were stained first with 0.02 M glutathione and 0.34 M methylglyoxal in a 0.1 mM 3-(4,5-dimethylthiazolyl)-2-(2,5-diphenyl)tetrazolium bromide, 0.69 mM 2,4-dichlorophenolindophenol in a 0.1 M TRIS hydrochloride buffer at pH 7.8.<sup>25</sup>

#### HLA typing

HLA-A, B, and C antigens were identified by the standard National Institutes of Health lymphocyte microcytotoxicity assay using 140 antisera to define 19 A locus, 28 B locus, and six C locus antigens. HLA-DR typing was done with 70 well characterised alloantisera using the technique of the Oxford (seventh international histocompatibility) workshop.<sup>26</sup>

#### SA-1 idiotype determination

The SA-1 idiotype is akin to the 16/6 idiotype described by us.<sup>27</sup> Therefore, hereinafter we will refer to the SA-1 as the 16/6 idiotype. An ELISA was used for the 16/6 idiotype determination as described previously.<sup>28</sup> Briefly, plates were coated with 75 µl (10 µg/ml) of rabbit anti-16/6 idiotype serum in 50 mM sodium bicarbonate buffer at pH 9.6 for 12-16 hours at 4°C. The plates were washed three times with phosphate buffered saline (PBS) and blocked with 200 µl/well of PBS with 1% bovine serum albumin for two hours at room temperature. The plates were washed three times with PBS. Duplicate 75 µl serum samples were diluted 1:2000 in PBS in the wells and incubated for

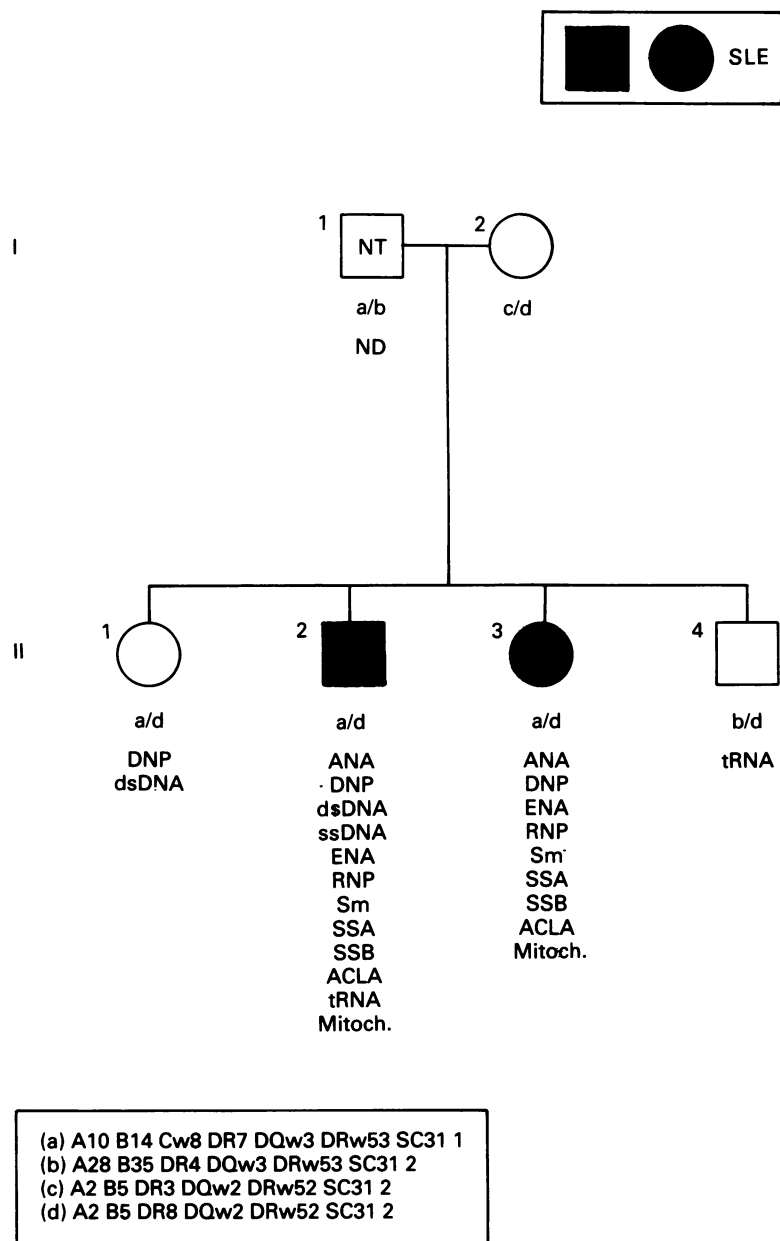


Figure 1 Family No 1. ND indicates autoantibodies were not determined. ANA=antinuclear antibodies; dsDNA=antibodies to double stranded DNA; ssDNA=antibodies to single stranded DNA; ENA=antibodies to extractable nuclear antigens; ACLA=anticardiolipin antibodies; Mitoch=antibodies to mitochondria.

two hours at 37°C. The plates were washed three times with PBS, and then was added 75 µl of polyvalent goat antihuman serum conjugated with alkaline phosphatase (Sigma Chemicals), diluted (1:1500) in free PBS with 1% bovine serum albumin, and incubation was carried out for 12–16 hours at 4°C. The plates were washed three times with PBS, 75 µl of *p*-nitrophenyl phosphate disodium (Sigma) in 50 mM carbonate buffer, pH 9.6, containing 2 mM MgCl<sub>2</sub>, was added, and incubation was carried out for one hour at 37°C. The plates were read at 405 nm using a Titertek ELISA reader.

**Results**

Figures 1–8 depict the pedigrees of eight families with multiple cases of SLE, in whom antinuclear autoantibodies, anticardiolipin antibodies, antibodies to tRNA and to

mitochondria, the presence of the 16/6 idotype, and HLA typing were recorded. In each case the complement phenotypes were also determined.

An analysis of the antinuclear presentation in these families exemplifies the diversity of autoantibodies present.

Figure 1 (family 1) shows a family in which SLE seemed to emerge as spontaneous mutation in two children—a boy and a girl (patients Nos II.2 and II.3), both with the same HLA type. Yet their sister (II.1) with the same HLA, antibodies to DNP and dsDNA has not developed the variety of autoantibodies as the female patients II.3.

Figure 2 (family 2) shows an interesting marriage between a mother with SLE and a father with serum autoantibodies. Possibly, the father might have developed autoantibodies by sharing the same household with the mother, as has been discussed elsewhere.<sup>29</sup> Their son had antibodies to dsDNA only, and borderline values of antinuclear antibodies and antibodies to DNA (data not shown), but his sister with the same HLA typing was free from disease and

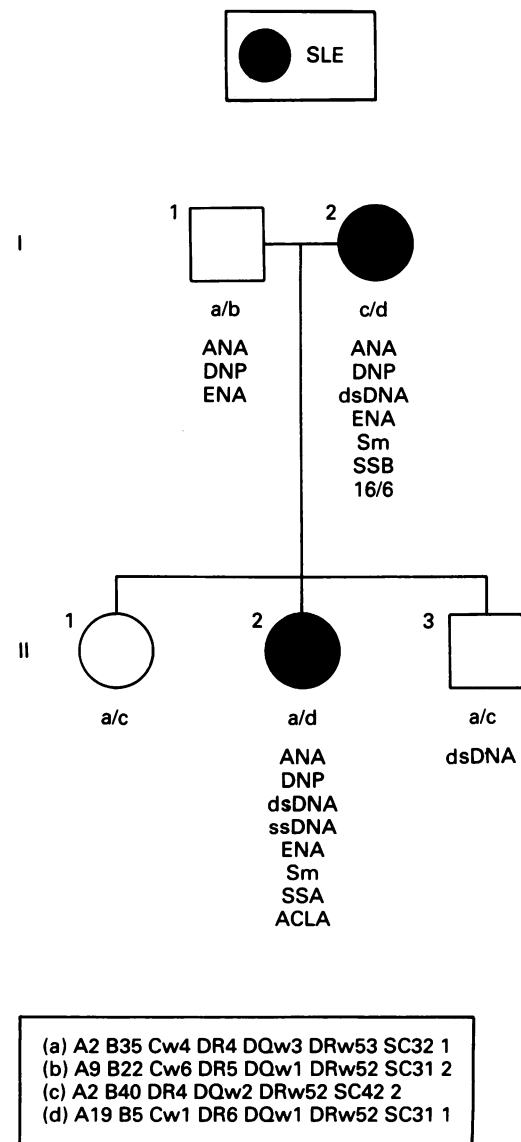


Figure 2 Family No 2. For abbreviations see fig 1.

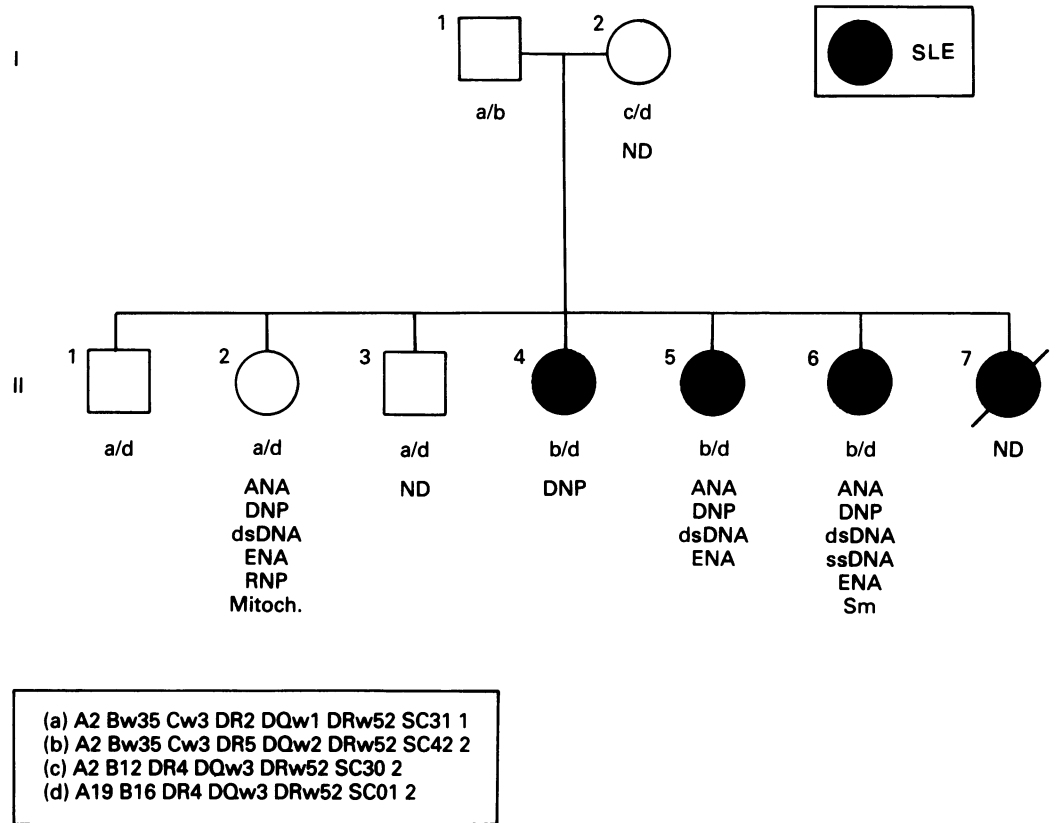


Figure 3 Family No 3. One of the four patients with SLE died before any study could be performed. Serum samples from the mother (I. 2) and one male sibling (II.5) were not determined (ND) for autoantibodies nor for the 16/6 idio type. For abbreviations see fig 1.

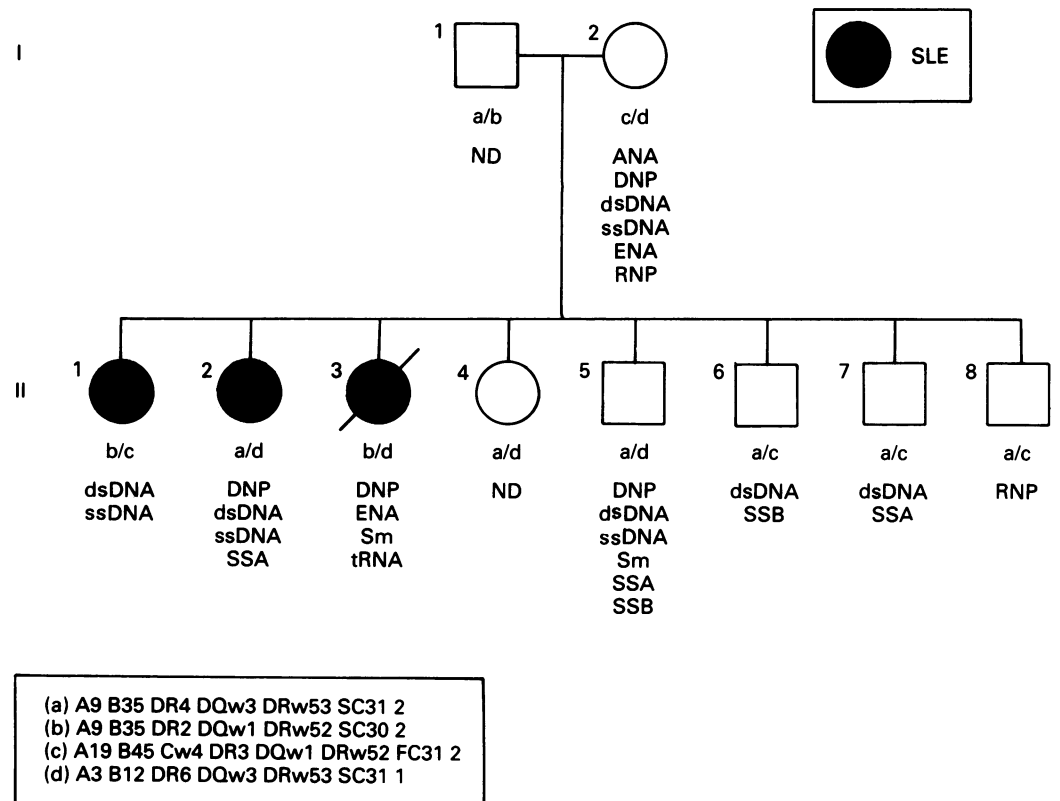


Figure 4 Family No 4. Patient No II.3 died at the age of 18 from pulmonary haemorrhage. For abbreviations see fig 1.

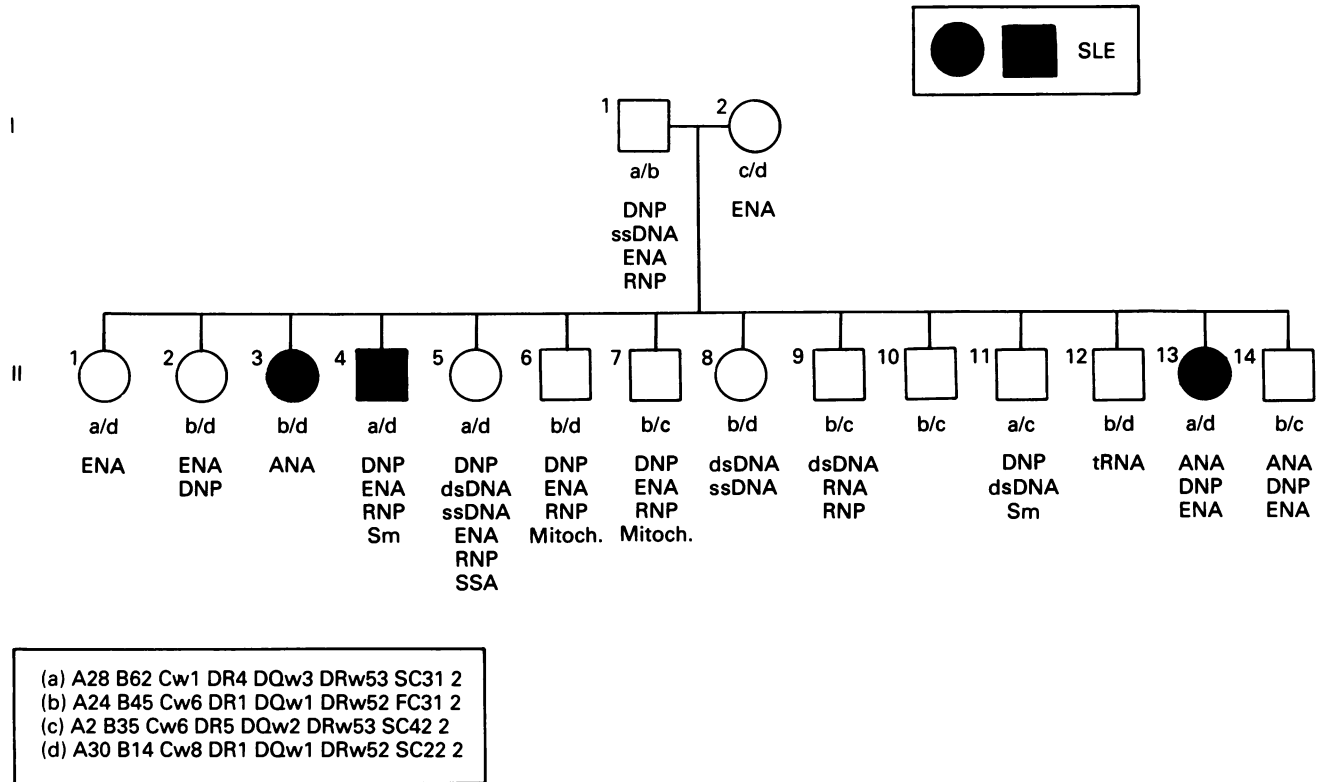


Figure 5 Family No 5. Note that one (II.10) out of 14 siblings was negative for all autoantibodies tested. For abbreviations see fig 1.

from antibodies (except for a borderline positive autoantibody for DNP). Subjects II.1 and II.3 in this family also might have developed these antibodies by sharing the household with their sick relatives.

Figure 3 (family 3) depicts an additional family in which the parents seemed to be completely healthy, yet four sisters (II.4–II.7) developed overt SLE; one (II.7) died before we studied her. It might be that the haplotype inherited from the father conferred susceptibility to SLE. The father with this haplotype was weakly positive for antibodies to dsDNA, SSA, and SSB (data not shown). We cannot discount the possible influence of the haplotype inherited from the mother as she was not screened for autoantibodies.

Figure 4 (family 4) represents another family with multiple cases of SLE with three affected sisters (II.1–II.3) having different HLA phenotypes, again with diverse patterns of autoantibodies. In this family the mother had many antinuclear autoantibodies and all the children tested, including four sons, had autoantibodies.

Figure 5 (family 5) shows another complex family with two parents having antinuclear autoantibodies. Two daughters (II.3, II.13) and one son (II.4) were affected by overt SLE, but not all shared the same HLA phenotype. It is clear that a special pattern of autoantibodies is not necessarily related to overt SLE. The different patterns of autoantibodies in patients with SLE, even in those having the same HLA phenotype, might reflect differences in treatment or disease activity, or both, at the time of the study.

Figure 6 (family 6) details three generations of a family. Remarkably, it seems that overt

disease is limited to the second generation, while both the first and third generations, despite the presence of large numbers of autoantibodies in all members, have not developed SLE. The different pattern of autoantibodies is displayed in the figure by two identical twins. It is noticeable that the two twins with identical HLA phenotype have similar levels of all autoantibodies. The twin sister, however, had slightly higher levels than her twin brother.

Figure 7 (family 7) presents a family of five members. Two of three daughters developed SLE; with identical HLA. The apparently healthy sister presents a wide variety of autoantibodies, and interestingly, her HLA phenotypes are different from those of her two sisters with SLE. This autoantibody presentation might be due to environmental factors. It should be noted that the sisters with SLE possess the 'c' haplotype which contains DR4, an antigen known to give susceptibility to the development of SLE; as well as a null allele of complement, also associated with the disease.

Figure 8 (family 8) depicts another family with multiple cases of SLE, in which all the healthy relatives tested have developed a wide variety of autoantibodies.

Although in these families there were some members with null alleles of C4A or C4B, no cosegregation was found between the presence of any antibody and either of these null alleles in this group of families.

#### 16/6 DETERMINATION

The serological variability was also expressed in 16/6 levels. Members of families 1, 3, 4, and 5 were all negative for the idiotype. In family No

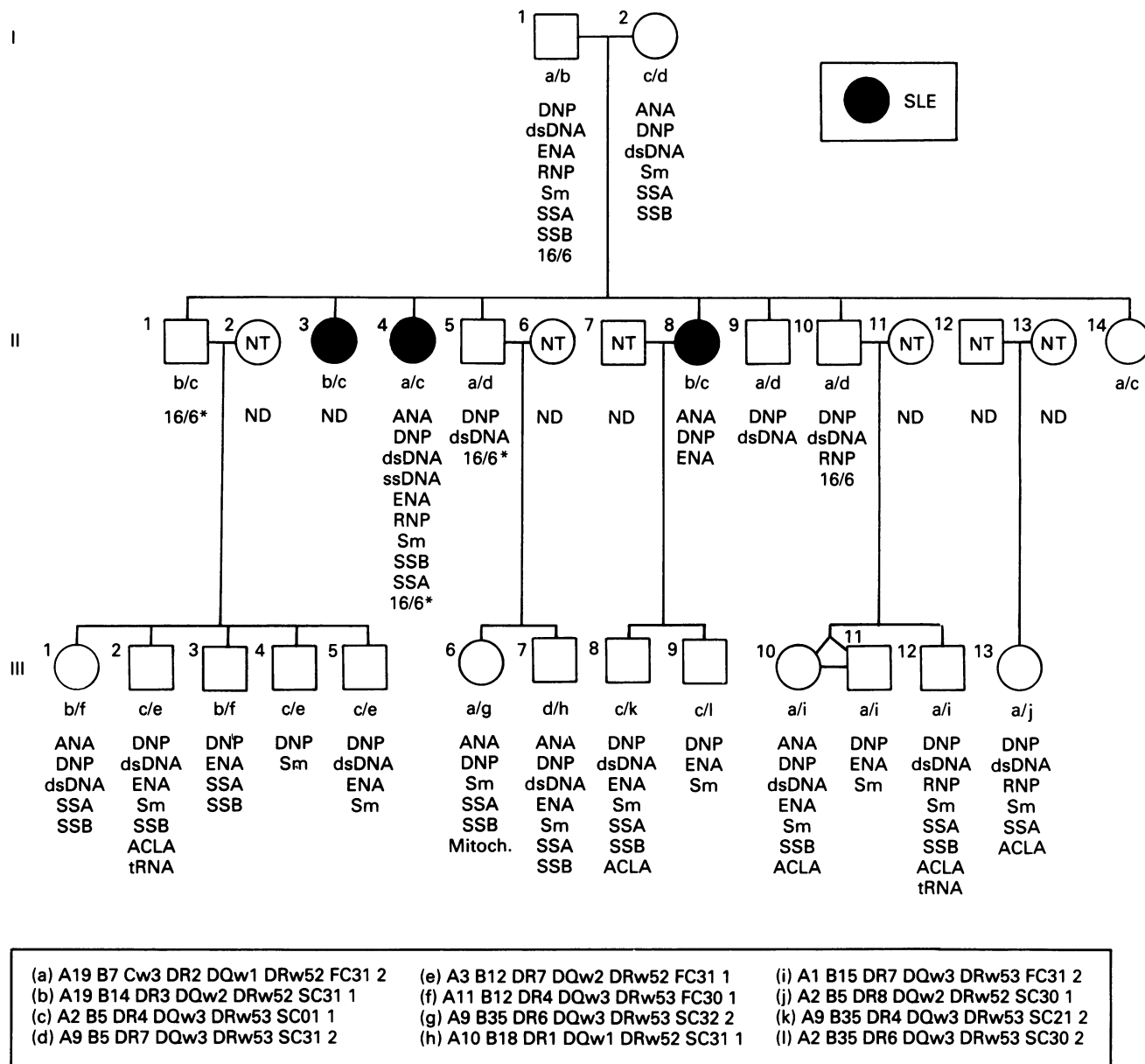


Figure 6 Family No 6. 16/6\* indicates that serum samples from those subjects had borderline values (that is, between two and three standard deviations above the mean level of 38 controls) for this idiotype. Ages of the third generation range from 7 to 20 years, and at the present time none of them has developed SLE. Note that all members belonging to the third generation are positive for a great variety of autoantibodies. Members of the first and second generations were also positive to some autoantibodies except for subjects II.1 and II.14. For abbreviations see fig 1.

Percentage of positive autoantibody presentation in families with multiple cases of systemic lupus erythematosus (SLE)\*

Autoantibody†	SLE (n=17)	First degree relatives (n=43)	Second degree relatives‡ (n=11)	Total relatives without SLE	Controls§ (n=38)
ANA	81.3	17.6	57.0	24.4	0.0
DNP	88.2	61.0	100.0	69.2	4.0
dsDNA	52.9	48.8	63.6	51.8	0.0
ssDNA	41.2	11.6	0.0	9.3	0.0
ENA	87.5	42.5	63.6	47.1	3.6
RNP	40.0	31.0	18.2	28.3	0.0
Sm	59.0	14.0	81.8	27.8	0.0
SSA	35.3	14.0	54.5	22.2	0.0
SSB	31.3	12.5	63.6	23.5	0.0
ACLA	23.5	4.7	36.4	11.1	3.3
tRNA	23.5	7.0	18.2	9.3	0.0
Mitoch	14.3	10.0	9.1	9.8	3.4
16/6 Idiotype	5.6	6.8	0.0	5.5	3.0

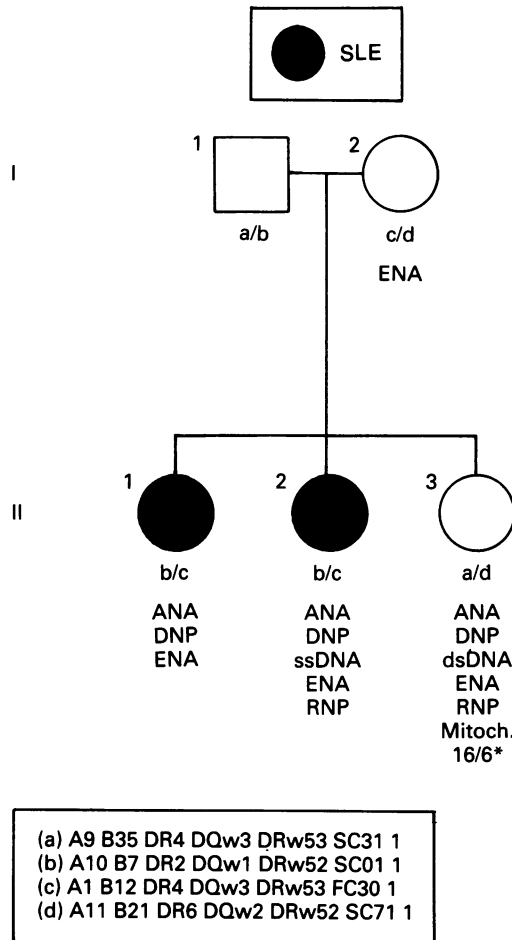
\*Percentage positive subjects are given as those with antibody levels equal to or higher than three SD above mean level of normal human serum.

†ANA=antinuclear antibodies; DNP=dinitrophenyl; dsDNA=antibodies to double stranded DNA; ssDNA=antibodies single stranded DNA; ENA=antibodies to extractable nuclear antigens; ACLA=anticardiolipin antibodies; Mitoch=antibodies to mitochondria

‡Second degree relatives belong only to one family.

§Mexican families selected for that specific purpose.

Figure 7 Family No 7.  
For abbreviations see fig 1.



2 only one of the propositae was highly positive (patient I.2). Family 6 was remarkable in having four healthy members (I.1, II.1, II.5, and II.10) positive for the idiotype, none of them having overt SLE. Although subjects I.1, II.5, and II.10 had many autoantibodies, no autoantibody was detected in the serum of subject II.1. This idiotype was also present in five members of family 8 (one patient with SLE (I.4) and four subjects healthy (I.3, II.2–II.4) at the moment they were studied) and in one member (II.3) of family 7.

The table summarises the incidence of autoantibodies found among the patients with SLE and their healthy relatives.

**Discussion**

The aim of the study was to analyse the pattern of inheritance of a panel of autoantibodies in families with multiple cases of SLE and their first degree relatives. The inheritance seemed to be related to some unknown genetic factors but not clearly related to HLA in those 'multiple case' families where the genetic predisposition often came from both parents as judged by the phenotypes shared or the presence of autoantibodies in them. The existence of even a great variety of antinuclear autoantibodies in the serum of a subject was not necessarily associated with overt disease. Only prolonged follow up will point to the pathogenicity of the autoantibodies in first degree relatives of patients with SLE.

Surprisingly, the incidence of the 16/6 idiotype among patients and their relatives was low. The 16/6 idiotype was reported by us to be a pathogenic idiotype.<sup>27 30–32</sup> Its titres correlated with disease activity and it was found to be deposited in tissue afflicted by SLE. Recently, immunisation of naive mice with the 16/6 idiotype has been followed by induction of an SLE-like disease.<sup>29 31 33</sup> Therefore, we expected increased titres of the 16/6 idiotype to be found in higher numbers in patients and first degree relatives in families with multiple cases of SLE in comparison with the incidences reported previously (40% and 25% respectively).<sup>32</sup>

Conceivably, in the families reported here other pathogenic idiotypes might play a significant part. We have reported previously a pathogenic role for the 16/6 idiotype in at least one family, but the members of that family had an additional risk factor for SLE—namely, C4 complement component deficiencies either at C4A or C4B.<sup>34</sup>

It would be interesting to see whether the autoantibody burden is higher in families with multiple cases of SLE than in families with only single case, particularly as our data suggest that 'multiple case' families may be genetically different from single case ones. On the other hand, the presence of this idiotype in healthy relatives supports the suggestion that it is a germline encoded natural autoantibody. The presence or absence of this phenotype in healthy relatives reflects B cell activation (for example, by Epstein-Barr virus) or the presence of antibodies to the idiotype which impair its detec-

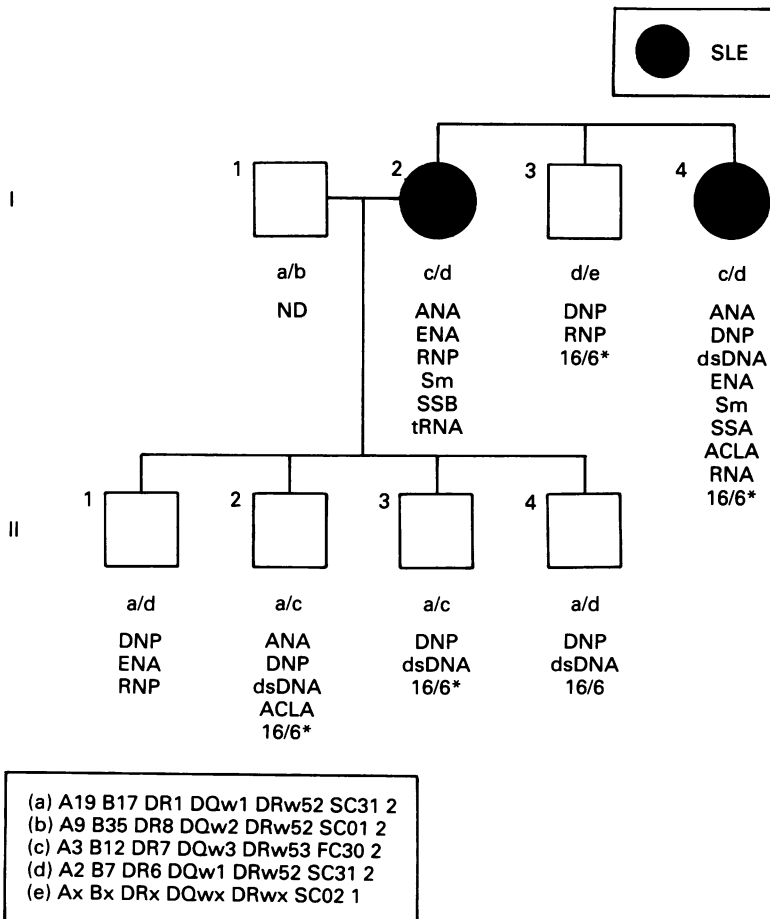


Figure 8 Family No 8. For abbreviations see fig 1.

tion. This might also occur in patients with SLE at the time of disease remission—hence the correlation of the 16/6 idiotype with disease activity.

We thank Ms Shira Lancry for her excellent secretarial assistance. The study was supported by the Zablodowicz research grants.

- 1 Leonhardt T. Familial hypergammaglobulinaemia and systemic lupus erythematosus. *Lancet* 1957; ii: 1200-3.
- 2 Arnett F C, Shulman L E. Studies in familial systemic lupus erythematosus. *Medicine (Baltimore)* 1976; 55: 313-21.
- 3 Lowenstein M B, Rothfield N F. Family study of systemic lupus erythematosus. Analysis of the clinical history, skin immunofluorescence and serologic parameters. *Arthritis Rheum* 1977; 20: 1293-303.
- 4 Hochberg M C. Genetic epidemiology of SLE, *Proceedings of Second International Congress on SLE* (Singapore). US: Professional Postgraduate Services Int: United States, 1989: 9-13.
- 5 Morteo O G, Franklin E C, McEwen C, Phythyon J, Tanever M. Studies of relatives of patients with systemic lupus erythematosus. *Arthritis Rheum* 1961; 4: 356-61.
- 6 Lipmann S M, Arnett F C, Conley C L. Genetic factors predisposing to autoimmune diseases. Autoimmune hemolytic anemia, chronic thrombocytopenic purpura and systemic lupus erythematosus. *Am J Med* 1982; 73: 827-40.
- 7 Davis M W, Gutridge G H. Disseminated lupus erythematosus in identical twin sisters associated with diabetes mellitus in one case. *J Miss State Med Assoc* 1951; 48: 446-50.
- 8 Gagov S, Gechman E. Familial occurrence of disseminated lupus erythematosus. *N Engl J Med* 1956; 255: 936-40.
- 9 Leonhardt T. Family studies in systemic lupus erythematosus. *Acta Med Scand* 1964; 176: (suppl 416): 1.
- 10 Winchester R J, Núñez-Roldán A. Some genetic aspects of SLE. *Arthritis Rheum* 1982; 25: 833-7.
- 11 Holman H, Deicher H R. The appearance of hypergammaglobulinaemia, positive serologic reactions for rheumatoid arthritis and complement fixation with tissue constituents in the sera of relatives of patients with systemic lupus erythematosus. *Arthritis Rheum* 1960; 3: 244-6.
- 12 Pollak V E, Mandema E, Kark R M. Antinuclear factors in the serum of relatives of patients with systemic lupus erythematosus. *Lancet* 1960; ii: 1061-3.
- 13 Pollack V E. Antinuclear antibodies in families of patients with SLE. *N Engl J Med* 1964; 271: 165-71.
- 14 Mackworth-Young C, Chan J, Harris N, et al. High incidence of anticardiolipin antibodies in relatives of patients with SLE. *J Rheumatol* 1987; 14: 723-6.
- 15 Shoenfeld Y, Rauch J, Massicotte H, et al. Polyspecificity of monoclonal lupus autoantibodies by human hybridoma. *N Engl J Med* 1983; 308: 414-20.
- 16 Shoenfeld Y, El-Roeiy A, Ben-Yehuda O, Pick A L. Detection of antihistone activity in the sera of patients with monoclonal gammopathies. *Clin Immunol Immunopathol* 1987; 42: 250-8.
- 17 Shoenfeld Y, Vilner Y, Coates A R, et al. Monoclonal anti-DNA autoantibodies react with *Mycobacterium tuberculosis*. *Clin Exp Immunol* 1986; 66: 255-61.
- 18 Firer M, Shoenfeld Y, Isenberg D A, Slor H. The use of ELISA for the measurement of autoantibodies to nuclear antigens: comparison with other methodologies. *Isr J Med Sci* 1988; 24: 747-51.
- 19 Alper C A, Boenish T, Watson L. Genetic polymorphism in human glycine-rich beta glycoprotein. *J Exp Med* 1972; 135: 68-80.
- 20 Alper C A. Inherited structural polymorphism in human C2: evidence for genetic linkage between C2 and Bf. *J Exp Med* 1976; 144: 1111-5.
- 21 Awdeh Z L, Alper C A. Inherited structural polymorphism of the fourth component of human complement (C4). *Proc Natl Acad Sci USA* 1980; 77: 3576-80.
- 22 Awdeh Z L, Raun D, Alper C A. Genetic polymorphism of the fourth component of human complement: detection of heterozygotes. *Nature* 1979; 282: 205-7.
- 23 Shows T B, Alper C A, Bootsma D, et al. International System for Human Gene Nomenclature. *Cytogenet Cell Genet* 1979; 25: 96-116.
- 24 Mauff G, Alper C A, Awdeh Z L, et al. The nomenclature of human C4 allotypes. *Immunobiology* 1983; 164: 184-91.
- 25 Kompf J, Bissbort S, Gussman S, et al. Polymorphism of red cell glyoxalase I (E.C.4.4.1.5). A new genetic marker in man. Investigation of 169 mother-child combinations. *Humangenetik* 1975; 27: 141-3.
- 26 Bodmer W F, Batchelor J R, Bodmer J G, Festenstein H, Morris P J, eds. *Histocompatibility testing 1977*. Copenhagen: Munksgaard, 1978: 612.
- 27 Shoenfeld Y, Amital-Teplizki H A, Mendlovic S, et al. The role of human anti-DNA idiotype 16/6 in autoimmunity. *Clin Immunol Immunopathol* 1989; 81: 313-25.
- 28 Shoenfeld Y, Mozes F. Pathogenic idiotypes of antibodies and autoimmunity: a lesson from a new syndrome of experimental SLE. *FASEB J* 1990; 4: 2646-51.
- 29 Bell D A. Autoimmune disorders in families: nature or nurture. *J Rheumatol*; 1986; 13: 244-5.
- 30 Shoenfeld Y, Isenberg D A, Rauch J, et al. Idiotypic cross reactions of monoclonal lupus autoantibodies. *J Exp Med* 1983; 158: 718-30.
- 31 Mendlovic S, Brocke S, Shoenfeld Y, et al. Induction of an SLE like disease in mice by a common human anti-DNA idiotype. *Proc Natl Acad Sci USA* 1988; 85: 2260-4.
- 32 Isenberg D A, Shoenfeld Y, Madaio M, et al. Anti-DNA antibody idiotypes in SLE. *Lancet* 1984; ii: 417-22.
- 33 Blank M, Mendlovic S, et al. The importance of the pathogenic 16/6 Id in the induction of SLE in naive mice. *Scand J Immunol* 1990; 31: 45-9.
- 34 Shoenfeld Y, Brill S, Weinberger A, Pinks J, Isenberg D A. High levels of a common anti-DNA idiotype (16/6) a genetic marker for SLE. *Acta Haematol (Basel)* 1986; 76: 107-9.