

Review

# The *Triticeae* CBF Gene Cluster—To Frost Resistance and Beyond

Giovanni Caccialupi <sup>\*</sup>, Justyna Milc , Federica Caradonia , Muhammad Fazail Nasar and Enrico Francia 

Department of Life Sciences, University of Modena and Reggio Emilia, Via Amendola 2, 42122 Reggio Emilia, Italy; justynaanna.milc@unimore.it (J.M.); federica.caradonia@unimore.it (F.C.); muhammadfazail.nasar@unimore.it (M.F.N.); enrico.francia@unimore.it (E.F.)

\* Correspondence: giovanni.caccialupi@unimore.it

**Abstract:** The pivotal role of *CBF/DREB1* transcriptional factors in *Triticeae* crops involved in the abiotic stress response has been highlighted. The CBFs represent an important hub in the ICE-CBF-COR pathway, which is one of the most relevant mechanisms capable of activating the adaptive response to cold and drought in wheat, barley, and rye. Understanding the intricate mechanisms and regulation of the cluster of *CBF* genes harbored by the homoeologous chromosome group 5 entails significant potential for the genetic improvement of small grain cereals. *Triticeae* crops seem to share common mechanisms characterized, however, by some peculiar aspects of the response to stress, highlighting a combined landscape of single-nucleotide variants and copy number variation involving *CBF* members of subgroup IV. Moreover, while chromosome 5 ploidy appears to confer species-specific levels of resistance, an important involvement of the *ICE* factor might explain the greater tolerance of rye. By unraveling the genetic basis of abiotic stress tolerance, researchers can develop resilient varieties better equipped to withstand extreme environmental conditions. Hence, advancing our knowledge of *CBFs* and their interactions represents a promising avenue for improving crop resilience and food security.

**Keywords:** abiotic stress; *Triticeae*; *CBF* transcription factors; cold acclimation; frost tolerance; drought tolerance



**Citation:** Caccialupi, G.; Milc, J.; Caradonia, F.; Nasar, M.F.; Francia, E. The *Triticeae* CBF Gene Cluster—To Frost Resistance and Beyond. *Cells* **2023**, *12*, 2606. <https://doi.org/10.3390/cells12222606>

Academic Editors: Daniela Marone, Grazia Maria Borrelli and Suleyman Allakhverdiev

Received: 26 September 2023  
Revised: 7 November 2023  
Accepted: 9 November 2023  
Published: 11 November 2023



**Copyright:** © 2023 by the authors. Licensee MDPI, Basel, Switzerland. This article is an open access article distributed under the terms and conditions of the Creative Commons Attribution (CC BY) license (<https://creativecommons.org/licenses/by/4.0/>).

## 1. *Triticeae* Crops and Abiotic Stress

### 1.1. *Triticeae* as Staple Food and Adaptable Crops

The Green Revolution had been able to meet the demand for food, reducing world hunger among the growing population (from 2.519 billion in 1950 to 4.435 billion in 1980) thanks to an unprecedented increase in crop yield and agricultural production [1,2]. New irrigation techniques, massive use of fertilizers and plant protection products, mechanization, crop breeding, and adoption of improved varieties were the determining factors in the observed increase in productivity [3–5]. Cereal crops, in particular, saw significant improvement, with yields tripling despite a small increase in arable land [6,7]. However, besides the positive effects, the excessive agricultural intensification created the conditions for the rise of environmental problems such as pollution, soil degradation, and loss of genetic diversity [8,9]. For example, in many breeding programs, genotypes were selected for the high-input systems driving gene pool erosion, especially for the alleles responsible for adaptation to the environment [10–12]. However, new issues emerged: yield seems to have reached a plateau and a contraction of genetic diversity has been observed [13,14]; as a result, the adaptation to biotic and abiotic stresses of cereal crops has been reduced [15–19]. In a scenario where the population is still growing (based on UN estimations, planet Earth will be populated by 8.5, 9.7, and 10.9 billion people by 2030, 2050, and 2100, respectively [2]), one of the goals of the global food production system is to provide higher yields and food quality while reducing, however, environmental pollution [6]. Furthermore,

extreme weather conditions, reduction of arable lands, and increasing demand of fertilizers and irrigation water are putting the crops cultivation in open fields under stress conditions, significantly affecting agricultural production on all continents [20]. A novel approach is required to cope with the climate issue. Crop breeding programs need to develop new genotypes with a higher adaptation to weather fluctuations [21,22] and contribute to global food security [23].

The *Triticeae* tribe, a grass tribe of the *Poaceae* family that includes cultivated wheats (durum wheat *Triticum turgidum* L. ssp. *durum* Desf., bread wheat *Triticum aestivum* L.), barley (*Hordeum vulgare* L.), and rye (*Secale cereale* L.), is by far the most important source of energy and nutrients worldwide [24,25]. For example, wheat and barley together were the most cultivated herbaceous crops in the world in 2021, with a harvested area of 220 and 48 million hectares and a total grain production of 770 and 145 million tons, respectively [26]. Rye is an important crop for Northern and Eastern European countries, with a harvested area of 3.5 million hectares and a total production of 11 million tons [26]. The *Triticeae* tribe comprises about 350 species, including the so-called minor cereals such as triticale, spelt emmer, and einkorn wheats, poulard, polish, and khorasan wheats [27].

Temperate grass species are characterized by winter growth habits (WH) in their natural environments [28,29]. The two key traits of WH genotypes are the vernalization requirement and the cold acclimation. Vernalization is defined as the induction of flowering after prolonged exposure to cold. Moreover, *Triticeae* are usually classified as long-day (LD) plants because most varieties flower earlier when exposed to longer days. This mechanism synchronizes plants to flower after cold, harmful temperatures in the wintertime [30,31]. The cold acclimation is the ability of the crop to adapt to cold temperatures and then survive frost events [32]. The winter habit (WH) genotypes are usually sown in winter due to their higher productivity. In Mediterranean climates, sowing is performed in the autumn to take advantage of the rainiest seasons, and the plants are harvested during the drier summer. Winter habit is a limiting factor in the widespread cultivation of *Triticeae* in environments where winter is too cold to survive or too warm to satisfy the vernalization requirement [33]. To overcome this limit, spring habit (SH) and facultative habit (FH) genotypes were selected for their lack of vernalization requirements [34,35]. SH genotypes are sown in spring, whereas FH genotypes can be alternatively sown either in autumn or spring. Most SH cultivars are frost-prone and, due to a shorter crop cycle, may be exposed to drought. For these reasons, in the last few years, FH genotypes are gaining more and more interest since they show a high level of frost tolerance (FT) and do not require vernalization [36,37]. The *Triticeae* crops are thus adaptable to several environments, ranging from sub-arctic to tropical climates, allowing their cultivation across a wide geographical area [38,39], even if the highest yields are achieved in temperate regions [40].

### 1.2. Cold and Drought Issues for *Triticeae* in the Climate Change Era

Abiotic stresses are described as environmental conditions that can impact a plant's growth and production [41]. Temperate cereals usually experience frost during the vegetative/tillering phase, whereas drought usually negatively influences the flowering, heading, and ripening phases. Extreme temperatures and drought are associated with plant cell dehydration and represent some of the major issues for agronomical and global food security in *Triticeae* [12,42]. Frost damage is caused by ice formation in intercellular spaces, resulting in a drop in water potential [43], influencing root water uptake and photosynthesis [44]. Drought stress affects plant growth differently depending on the phenological phase [45]; early events reduce stomatal conductance, transpiration, and CO<sub>2</sub> assimilation, affecting tiller formation, while water deprivation during the reproductive phase reduces grain number and size [46]. In some environments, a combination of frost and drought (the so-called harsh winter) may happen, causing a severe reduction in enzymatic activities and membrane disintegration, leading to stunted growth and compromising yield [47,48].

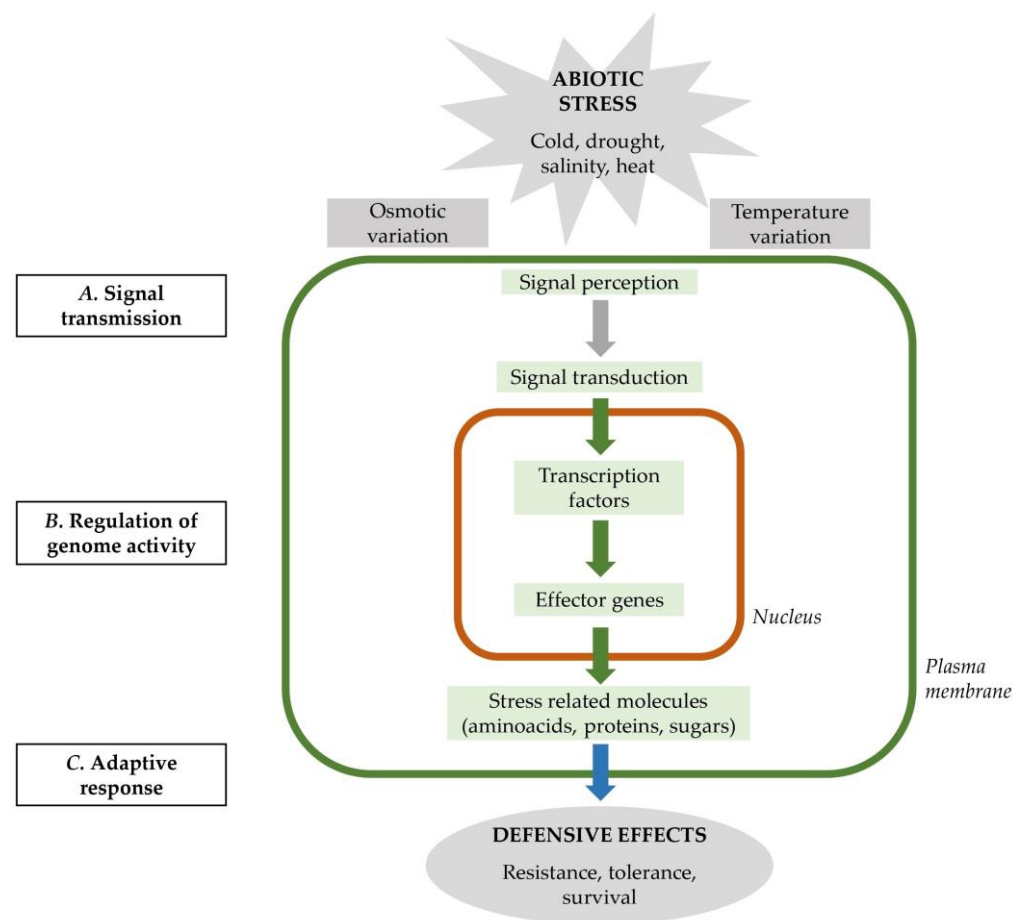
The autumn, winter, and spring seasons are becoming more and more variable nowadays, with a higher alternation between warm-dry and cold-rainy periods with extreme

frost episodes [49–51]. This alternation may putatively cause an overlapping of low temperature and water deprivation in regions—such as the Mediterranean basin—where prolonged droughts followed by/overlapped with cold and rain events become more frequent, with consequences still unclear for crops [52,53]. Moreover, based on the United States Drought Monitor and JRC European Drought Observatory, data collected since 2011 reveal that drought in fall-winter and during early spring has been increasing in temperate areas where *Triticeae* crops are mainly cultivated [54,55]. Furthermore, the warmer temperatures in the Arctic pole might affect mostly the northern hemisphere, increasing the severity of winter and frost events in early spring [50,56,57]. The climate fluctuations in temperate regions are impacting the crop cycle and the phenological responses of barley and wheat crops [25,58]. The alternation of warm and cold periods might induce a de-acclimation process in the WH genotypes, reducing their frost tolerance and producing serious yield losses [59,60]. Additionally, drought stress, which occurs due to a reduced amount of rain and a lower level of soil moisture during the sowing period (autumn/early winter) and in the initial phenological stages, can decrease the rate of germination and early seedling development [61]. Furthermore, the vernalization requirement may not be totally satisfied, resulting in delayed flowering and exposing the plants to a different incidence of biotic and abiotic stresses [62]. Even spring genotypes are not immune to this problem, as the alternation of drought stress and late frost events can compromise germination and development [63,64]. Moreover, SH genotypes may face an increased risk of heat wave exposure during the grain filling phase [65,66].

Due to the multitude of factors involved in climate change, a prediction of yield loss is complex to assess. Several authors have reported that a reduction in the yield of barley and wheat is linked to the geographical area and the consequent impact that climate change has on that specific region [25,67,68]. For example, a study on the impact of climate change in a period between 1981 and 2009 on wheat production in China stated that due to a 1 °C increase, the yield was reduced by 1 to 10% [58]. As far as growth habits are concerned, Gammans and colleagues [69] analyzed the effect of a wide range of climate models and emissions scenarios on winter/spring barley and wheat yield reductions in France for the period 2037–2065. Similarly, Cammarano et al. [70] stated that climate change could impact the yield by up to 9% for barley genotypes with different vernalization requirements cultivated in the Mediterranean basin.

Numerous studies have been undertaken in recent years to elucidate the molecular basis of adaptation process in *Triticeae* cereals for the development of new improved varieties (in Figure 1, we present a simplified model of the cellular adaptive response to osmotic and temperature variations). The crucial role of genetic resources on vernalization response (*VRN-1*, *VRN-2*, and *VRN-3*) and frost tolerance (*FR-1* and *FR-2*) has already been defined by multiple authors [71–75]. *FR-2* is known to encompass a cluster of C-repeat binding factors (*CBF*) genes that are involved in cold acclimation and frost tolerance. In addition, recent reports suggest that they are also involved in drought response [76–78].

Maintaining yield performance under various unfavorable conditions is the main concern for breeders regarding the genetic improvement of resistance/tolerance to abiotic stresses. Starting with a comprehensive description of the *CBF* gene cluster locus structure and function, this review aims to better understand the complex signal transduction pathway(s) resulting in the abiotic stress tolerance of *Triticeae*. The availability of different linkage maps and genomic resources, such as transcriptomes and whole genome sequences, can boost the efficacy of breeding programs for wider climatic adaptability and stress tolerance. Thus, our aim is to describe the pivotal role of *Triticeae* *CBF* transcriptional activators in frost tolerance and to show their putative role in drought tolerance. Integration of omics with substantial trait variation existing in genetic resources would pave the way for cereal crop improvement against abiotic stresses.



**Figure 1.** Simplified model of cellular response to temperature and osmotic variations. Starting from perception and transduction of the signal (A), stresses can directly cause physical or chemical changes to biomolecules in the plant cell, triggering a cellular response [79]. The cellular response is driven by signaling events involving hormones, secondary messengers (ROS and  $\text{Ca}^{2+}$ ) and regulatory proteins (BON, NGA, and kinase) [80,81]. A complex regulation of genome activity is initiated in the nucleus (B), stress signaling triggers changes in gene transcription and RNA processing [41]. Transcription factors interact with cis-acting elements, which are present in the promoter region of several stress-related genes, also known as effector genes [82]. Key transcriptional regulators target regulons of effector genes that lead to the synthesis of protein in the mitochondria (C). Effector genes encode proteins that alter the plant physiology, producing stress-related molecules, leading to the adaptive response [83]. The final result is an increased ability of the cell, tissue, and plant to cope with and respond effectively to the stresses (modified from [41,84]).

## 2. CBF Gene Cluster and Its Central Role in Response to Frost and Drought

### 2.1. C-Repeat Binding Factors and Cluster Organization in *Triticaceae*

C-repeat binding factors, or dehydration responsive element (*CBF/DREB1*), are a larger subfamily of transcription factors that belong to the APETALA2/ethylene-responsive element binding factor (AP2/ERF) protein family and are induced/activated in response to osmotic stresses such as cold or drought. The AP2/ERF domain binds to the C-repeat/dehydration responsive elements (CRT/DRE) in the promoter region of a variety of genes involved in the abiotic stress response, also known as “CBF’s regulon.” These genes protect against the adverse effects of losing water caused by frost and drought with the biosynthesis of osmoprotectant proteins, carbohydrate metabolism-related activity, and sugar transport [85–87]. Among these, cold-regulated genes (*COR*) are the most important family, including late embryo abundant proteins (*LEA*), low-temperature-induced (*LTI*), cold-inducible (*KIN*), responsive to desiccation (*RD*), early dehydration-inducible

(*ERD*), and the dehydrin (*DHN*) genes [88–91]. The distinctive element of *CBFs* within the AP2/ERF family is the specific “*CBF signature*” flanking the AP2 domain [86,92].

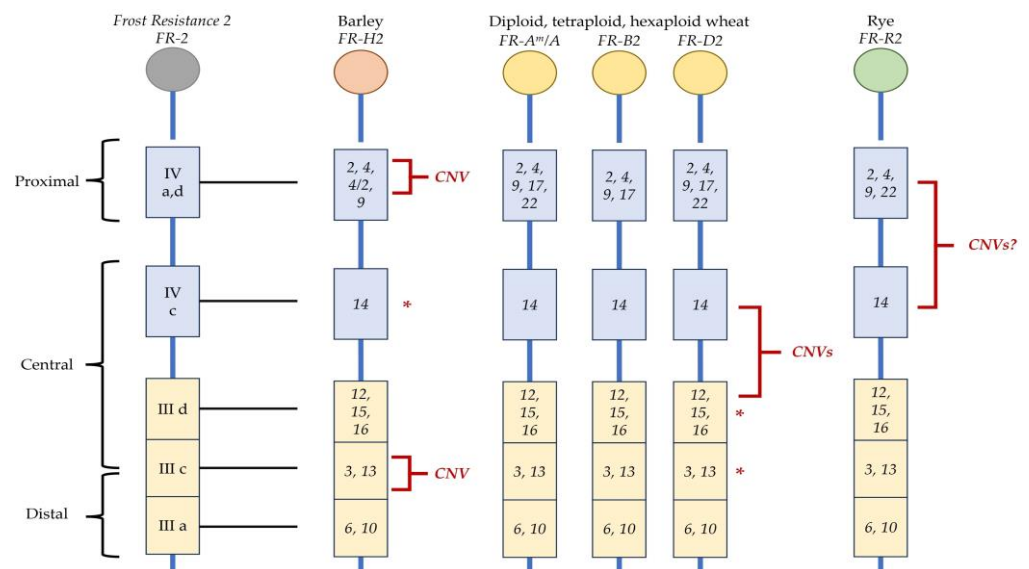
*CBF1* was the first *CBF* gene isolated and characterized by Stockinger and colleagues in *Arabidopsis thaliana* [93]. Subsequently, other important works discovered the *CBF* family and its role in the model plant [94,95] and then in other 54 genera: 31 dicotyledons, 23 monocotyledons, and 13 woody species [96–100]. In *Poaceae*, multiple elements of the family were isolated and characterized, either in chilling-sensitive (e.g., rice and maize) or frost-tolerant species (e.g., wheat, barley, and rye) [96,101–103]. The *CBF* genes are characterized by short, mono-exon coding sequences (average length 700 bp) with no introns [96,104,105]. Interestingly, Shi et al. [91] performed a phylogenetic analysis and found that the *CBF* gene structure is remarkably conserved across various species (monocots/dicots), independently of their degree of frost tolerance. As reported by Campoli et al. and Badawi et al. [106,107], *CBF* genes are classified into four phylogenetic groups, each with two or more sub-groups. Some elements of the *CBF* gene family are scattered along the genome, while others, more frequently, are organized in clusters of tandemly duplicated genes on the long arm of homoeologous chromosome group 5 of *Triticeae* [74,108–110]. The cluster of *CBF* genes has been shown to coincide with a QTL for frost tolerance, namely *Frost Resistance 2 (FR-2)* in barley (*FR-H2*), diploid (*FR-A<sup>m</sup>2*) and polyploid wheats (*FR-A2* and *FR-B2*), and rye (*FR-R2*) [74,110,111]. In *Triticeae* crops, beside *FR-2*, part of the phenotypic variation for frost tolerance is attributed to another QTL located about 25–30 cM apart from *FR-2* on the long arm of homoeologous chromosome group 5: *Frost Resistance 1 (FR-1)*. This locus was identified by Hayes et al. in 1993 and Galiba et al. in 1995 [109,112] in barley and wheat, respectively, and reported to co-segregate with *VRN-1*, the vernalization requirement gene [74], whose expression leads the plant to become competent for flowering [113].

The number of *CBF* genes identified in *Triticeae* species has been increasing during the last two decades, with novel studies being performed and new genomic data being obtained. The first comprehensive studies reported at least 15 *CBF* genes present in each of the A, B, and D genomes in wheat [107] and 20 in barley [92]. In rye, only 12 *CBF* genes were initially identified [106,114]. Up to date, the estimated number of *CBF* orthologs harbored only at *FR-2* is 13, 54, and 21, for barley, wheat, and rye, respectively [115]. *Triticeae CBFs* can be classified into groups sharing similar structural characteristics and a common phylogenetic origin. Six of these groups, i.e., IIIc, IIIId, IVa, IVb, Ivc, and Ivd, had been identified only in the subfamily *Pooideae*, suggesting the recent adaptation of *CBFs* to temperate habitats [107]. Figure 2 shows a simplified model of the *FR-2* cluster organization in *Triticeae*.

Barley *CBFs* were classified by Skinner et al. [92] into three phylogenetic clades: HvCBFI, HvCBFIII, and HvCBFIV. Seven *CBF* genes of the HvCBFI clade are widespread across the genome, while *FR-H2* encompasses 13 *CBFs* genes of the HvCBFIII and HvCBFIV clades organized in a single cluster [116]. The cluster is divided into three different portions: proximal (*HvCBF 2, 4, and 9*), central (*HvCBF 3, 12, 13, 14, 15, 16*), and distal (*HvCBF 6 and 10*). *HvCBF* genes in *FR-H2* cluster are surrounded by non-coding sequences enriched in multiple repetitive elements [117].

Thirteen *TmCBF* were described in *Triticum monococcum* L.; eleven of them were mapped on *FR-A<sup>m</sup>2*, while *TmCBF15* and *TmCBF18* were mapped on chromosomes 7A<sup>m</sup> and 6A<sup>m</sup>, respectively [118]. Vágújfalvi et al. [110] attributed the locus for FT to chromosome 5A, and subsequently Knox and colleagues [119] divided the *FR-A2* locus into: proximal (*CBF 2, 4, 9, and 17*), central (*CBF 12, 14, and 15*), and distal (*CBF 3, 10, 13, and 16*).

The genome of hexaploid wheat encodes 65 *TaCBFs* [120], 27 of which are paralogs with 1–3 homoeologous A, B, and D copies [120]. As reported by The International Wheat Genome Sequencing Consortium (IWGSC) [115], 54 *TaCBFs* are located on chromosome Group 5: 17 genes on 5A, 19 on 5B, and 18 on 5D chromosomes. Other *TaCBFs* are located on homoeologous chromosomes 6 (A, B, and D).



**Figure 2.** Model of the structural organization of the *CBF* cluster at *Frost Resistance-2* in *Triticeae* genomes. The locus is depicted in proximal, central, and distant parts, highlighting different phylogenetic classifications in *CBF* subgroups. Pale blue boxes—*CBFs* of groups IV; yellow boxes—*CBFs* of III groups; CNV—copy number variation; CNVs?—CNV still not confirmed; red asterisks—SNV (single nucleotide variation). As far as the copy number variations in barley are concerned, multiple copies of the *HvCBF2A-HvCBF4B* genomic segment were identified in the *Frost Resistance-2* locus [121,122]. CNV at *CBF14* in the winter panel was associated with higher expression levels in tolerant haplotypes [123]. Two insertion/deletions and ten single nucleotide polymorphisms were identified for *TaCBF-A12* and *TaCBF-A15* [124]. In rye, the genome assembly [114] revealed CNV for 4 members of *CBF* Group IV between tolerant and resistant varieties; however, this data has not been confirmed yet.

Rye encodes 21 *ScCBFs*, most of which reside at *FR-R2* and were mapped to chromosome 5RL [106,107,111].

## 2.2. Role of the ICE-CBF-COR Pathway in Cold Acclimation

In winter cereals, cold acclimation, also known as “hardening”, has the vital function of protecting the crown and young leaves from ice damage [125]. Even after a severe stress episode, if the crown and young leaves survive, the plant maintains the potential to restore from tillering nodes [126]. This peculiarity is linked to the ability of the meristematic tissue to survive thanks to the physiological phenomenon of cold acclimation [127]. Phenolic compounds, sugars, soluble proteins, new enzyme isoforms, proline and organic acids, modification of the fatty acid composition in the phospholipid membrane, and higher levels of antioxidants are all proactive compounds connected to the reduction of frost damage [87,125,128,129].

In winter barley, wheat, and rye, cold acclimation occurs only in the vegetative phase, and it has two different signaling pathways: abscisic acid or ABA-dependent (ABA pathway) and ABA-independent (also known as the ICE-CBF-COR pathway) [130]. Although the ABA and CBF signal transmissions were considered distinct from each other, recent studies suggest a cross-talk between these two pathways [131] (Figure 3).

In short-day conditions, the ICE-CBF-COR pathway is promptly activated after a brief exposure to low, non-harmful temperatures [132,133], and the *CBF* gene has a pivotal role in the coordination of the acclimation processes [134]. In *Arabidopsis*, a marked increase in *CBF* transcript levels was observed 15 min after cold exposure, followed by up-regulation of the effector genes about 2 h later [32,135]. On the other hand, in wheat and barley, an increase in *CBF* transcript levels was observed 4–12 h later after the cold exposure [75,136,137]. The gene induction relies on a temperature threshold dependent on the species and occurs in a 10 °C to 12 °C range in winter barley, wheat, and rye [138,139].

The result of the ICE-CBF-COR pathway cascade is the activation of the effector genes that modify the plant metabolism, conferring frost tolerance [140]. The temperature must be below 10 °C for 4–6 weeks in short-day conditions to complete the adaptive response in *Triticeae* [141,142]; once the process is completed, crops can withstand freezing at −7/12 °C for barley, −9/18 °C for wheat, and −18/−30 °C for rye [132,143].

Interestingly, no receptors receiving the low temperature signal have been identified so far [128]. The ICE-CBF-COR pathway is activated by an increase in intracellular Ca<sup>2+</sup> concentration by either rigidification of the plasma membrane or ligand-activated channels. After calcium influx into the cytosol and its binding by Ca-sensors (such as calmodulins), a signal cascade based on calcium-binding proteins (CBPs) is initiated to target the *ICE* (inducers of *CBF*-gene expression) transcription factors that up-regulate the *CBF* genes [144,145]. *ICE* transcription factors belong to the MYC family and MYC subfamily of bHLH (basic helix–loop–helix) [78] and are known as positive *CBF* expression regulators, considered to act upstream of the low-temperature signaling pathway [78,146,147].

In addition, as shown in Figure 4, temperature variation is not the only environmental stimulus influencing the expression of the *CBFs*; also, circadian rhythms and light characteristics (i.e., quality and quantity) have been reported to be involved in cold acclimation [133]. For example, recent studies showed that the expression of some barley *HvCBF* genes (*HvCBF2A*, *HvCBF4B*, *HvCBF6*, and *HvCBF14*) is regulated by the circadian rhythm and day length [133,148,149]. In warm conditions, *CBF* genes show high expression late in the afternoon and continue to decrease early in the night [148]. The peak of expression is 8–12 h after the dawn, either in short- or long-day conditions. However, the amplitude of the peaks is wider in short-day compared to long-day conditions [150]. This peak does not coincide with the coolest period of the day, but it may be functional for the preparation of the cell for the subsequent cold of the night [107]. The circadian clock regulates the expression of several genes. The G-Box-like motifs are necessary for transcriptional regulation by the circadian pseudo-response regulators binding basic helix–loop–helix transcription factors [151]. Other environmental stimuli are the light spectra and intensity; several works have elucidated that the variation of light spectra and light intensity might modulate the expression of *CBF* genes and also increase frost tolerance [90,152–156].

The vernalization process is controlled by three major genes: *VRN-1*, *VRN-2*, and *VRN-3* [73,157]. *VRN-1* is a flowering promoter that was shown to be an AP1-like MADS-box transcription factor, whose expression leads the plant to the transition from the vegetative to the reproductive phase [158,159]. Moreover, it was also proven to be involved in cold acclimation and frost tolerance [71]. *VRN-2* is a dominant flowering repressor down-regulated by vernalization treatment and includes two tandem zinc finger-CCT domain genes (*ZCCT1* and *ZCCT2*) [31,160]. *VRN-3*, the main integrator of the photoperiod and vernalization signals that lead to the transition of the apical meristem [161], is homologous to the flowering integrator FLOWERING LOCUS T gene in *Arabidopsis* [162,163]. Due to their diploid nature, WH barleys can be considered a model for vernalization in *Triticeae* crops [24]. *VRN-H2* is expressed in long and neutral day conditions [164]. In autumn, when plants are still in the seedling stages, *VRN-H2* is highly expressed and represses the *VRN-H3*, which is the flowering induction gene [161,165]. The repression of *VRN-H3* also limits the expression of *VRN-H1* [158,159]. Exposure to cold temperatures activates *VRN-H1* and results in the down-regulation of *VRN-H2* and, consequently, the release of *VRN-H3* from repression [31,73]. After prolonged cold exposure, the expression level of *VRN-H1* reaches a threshold necessary to induce the transition phase, up-regulating *VRN-H3*, and initiating the flowering process [165]. Exposure to long-day conditions mediated by the photoperiod genes *PPD-H1* and *PPD-H2* is also necessary [53].

The expression of *VRN-H1* changes in function of the plant growth habit; as mentioned above, in winter genotypes, the expression of the recessive *vrn-h1* allele is induced by prolonged periods of cold [166,167]. The quantity of time under cold and short-day conditions necessary to satisfy the vernalization requirements varies with the geographical origin of the genotype and the environmental condition, changing from 6 to 10 weeks of

temperatures in a range between 6 °C and 2 °C under short-day conditions [31,141,142,168]. In spring genotype, the dominant *Vrn-h1* allele has a constitutive high expression that rapidly induces the transition [169]. The vernalization in wheat is more complex compared to barley due to the presence of three homoeologous *VRN-A1*, *VRN-B1*, and *VRN-D1* loci mapped on the long arm of chromosome group 5 [170], with the major effect of *VRN-A1* in determining the growth habit [171].

The interaction between *VRN-1/FR-1* and *FR-2* (CBFs) has also been demonstrated [172]; *VRN-H1* can bind promoter regions of the *CBF* genes, inducing a reduction of their transcription levels; nevertheless, the mechanism is still not fully understood [117,173].

However, a question remains: how does the ICE-CBF-COR pathway confer frost tolerance?

### 2.3. *FR-2* in Barley—A Synergistic Action of CNV and *HvCBF14*?

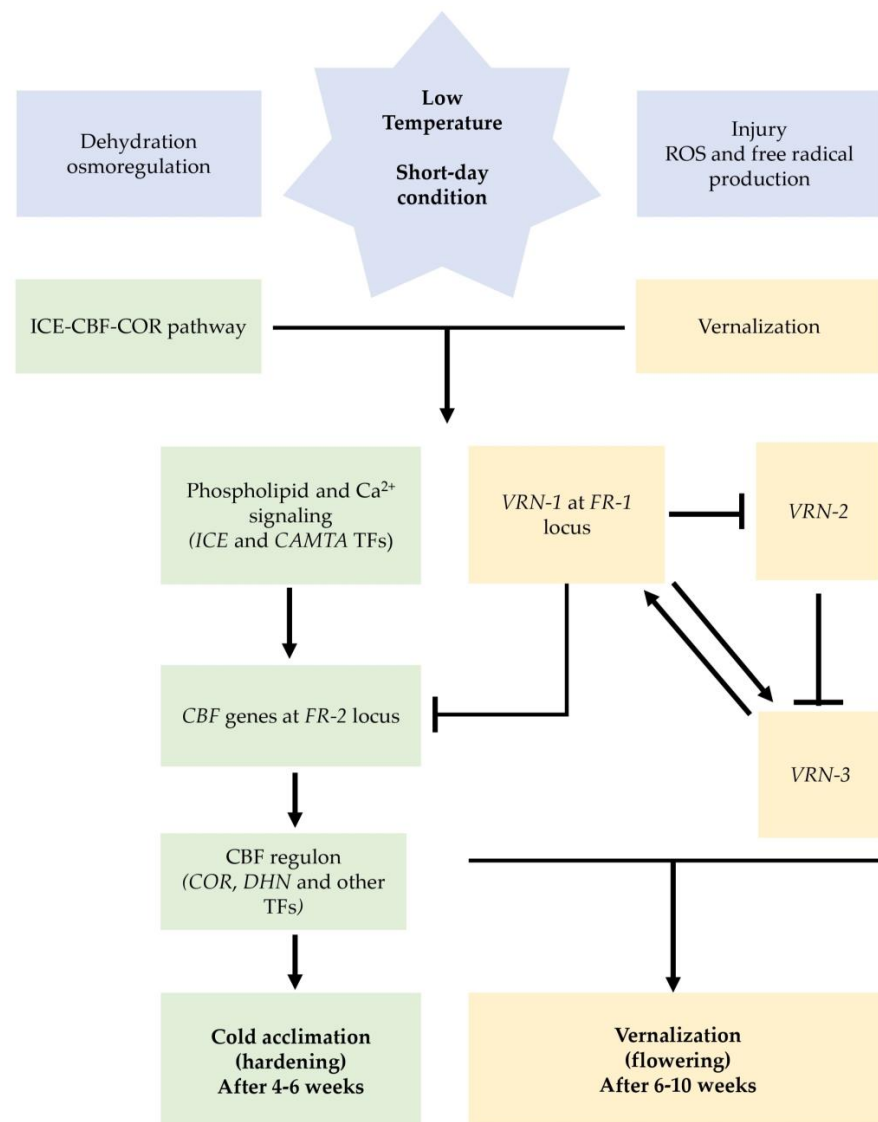
The efforts to identify the molecular mechanisms underlying *FR-2* in *Triticeae* crops were based on integration studies on structural and functional aspects of the locus (Figure 2). Several barley genotypes have been sequenced, and a pan-genome has been assembled [174]. Thanks to this data, *FR-H2* was studied in different frost-prone and tolerant genotypes to evaluate the *CBFs* position in the cluster, the variability in the structure, the *CBF* coding sequences, and the promoter regions [24,116,175–177].

Initially, four *HvCBF* genes (*HvCBF3*, *HvCBF6*, *HvCBF9*, and *HvCBF14*) have been selected as candidate genes due to the presence of homologs in other *Triticeae* already reported to be involved in cold resistance [107,178]. Then, *HvCBF14* has emerged as the major candidate for the frost tolerance in barley in several works [90,96,117,155,178–180]. Two SNP linked to *HvCBF14*, associated with frost tolerance, were identified by Fricano and colleagues [178] in an association analysis of a panel of European cultivars, landraces, and *H. spontaneum* accessions. Later on, a correlation between frost tolerance and the same *HvCBF14* gene in spring haplotypes was demonstrated by Guerra et al. [179], who investigated a panel of 403 accessions with exome sequencing-based allele mining.

Structural variation is recognized as a common feature and evolutionary force of genomes, where copy number variations (CNV) and resulting gene dosage effects determine a number of traits/phenotypes in plants [181–185]. One of the first clear associations between CNV and phenotype was reported for the boron-toxicity tolerance in barley [186]. The first indication of the involvement of CNV at the *FR-H2* locus and frost tolerance in *Triticeae* was reported by Knox et al. [121]. Two *HvCBF2* paralogs (*HvCBF2A* and *HvCBF2B*) and multiple copies of the *HvCBF2A-HvCBF4B* genomic segment were identified in the frost-tolerant genotypes ‘Dicktoo’ and ‘Nure’. On the other hand, genomic clones of ‘Morex’ and ‘Tremois’ showed only single paralogs of *HvCBF4* and *HvCBF2*. Results on CNV were confirmed by sequencing the same physical region in the tolerant ‘Nure’ [117] and susceptible ‘Morex’ [116] genotypes, in successive, independent experiments. Francia et al. [122] and Rizza et al. [53] confirmed that frost-resistant varieties of barley were characterized by a high number of copies for the *HvCBF2* and *HvCBF4* genes and maintained two distinct *HvCBF2* paralogs (*HvCBF2A* and *HvCBF2B*). In summary, the influence of structural variation on determining the *FR-2* effect remains a long-standing conundrum and leaves an open question: is the phenotype influenced by the expression of the *HvCBF14* gene alone, or are multiple copies of other *CBFs* involved? Is the number of copies at the *HvCBF2A-HvCBF4B* segment relevant for the modulation of the *HvCBF14* expression level and the resulting phenotype?

In the previous work, Francia et al. [122] evaluated a panel of 41 genotypes using two phenotyping methods ( $F_v/F_m$  and field survival) combined with RT-qPCR. The results showed a correlation between the number of copies of the *HvCBF2A-HvCBF4B* segment and frost tolerance. Winter and facultative genotypes showed a higher number of copies and greater frost tolerance compared to spring ones.





**Figure 3.** Schematic diagram connecting cold acclimation and vernalization as they are thought to occur in WH genotypes (taken as reference). Black arrows—gene induction; black lines with blunt ends—gene repression; green boxes—the ICE-CBF-COR pathway; yellow boxes—the vernalization requirement genes. The CBF pathway (green) responds to short cold exposure and short-day conditions. While the low-temperature receptors are unknown, the  $\text{Ca}^{2+}$  signal initiates the pathway through membrane rigidification and Ca-sensor binding [144,145]. Inducers of *CBF*-gene expression (*ICE*) and Calmodulin-binding transcription activators (*CAMTA*) transcription factors up-regulate *CBF* genes at *FR-2* locus [78,146,147]. Consequently, *CBF* genes up-regulate the effector genes and after 4–6 weeks of cold acclimation, crops can withstand sub-zero temperatures [141,142]. Vernalization (yellow) is governed by three genes: *VRN-1*, *VRN-2*, and *VRN-3*. *VRN-1* acts as an AP1-like MADS-box transcription factor, triggering the shift from vegetative to reproductive phases and contributing to cold acclimation and frost tolerance [73,157]. During autumn’s long/neutral days, *VRN-2* is highly expressed, repressing *VRN-3*, the flowering induction gene, and limiting *VRN-1* expression [161,165]. Exposure to cold activates *VRN-1*, leading to *VRN-2* down-regulation and *VRN-3* release from repression. After extended cold exposure, *VRN-1*’s expression reaches a threshold, inducing the transition to flowering, aided by long-day conditions and *PPD-1/PPD-2* activation. The connection between *CBF* and the vernalization pathway is due to higher *VRN-1* levels, which down-regulate *CBF* genes, reducing frost tolerance [31,73]. *VRN-1* can bind *CBF* gene promoters, potentially reducing their transcription. Vernalization time varies based on genotype origin and environmental conditions, spanning 6 to 10 weeks at temperatures from 6 °C to 2 °C under short days [31,141,142,168].

The influence of the gene dosage (i.e., the pool of transcripts) of a specific *CBF* on the expression of other elements of the ICE-CBF-COR pathway was tested/evaluated in two elegant experiments. The overexpression of *HvCBF2* in the spring susceptible cultivar ‘Golden Promise’ resulted in higher transcript levels of *COR* genes; *HvCOR14B* and *HvDHN5*, already at warm temperatures, were raised strongly at cold temperatures. Moreover, higher transcription levels of *HvCBF12*, *HvCBF15*, and *HvCBF16* and greater frost tolerance were observed in overexpressed lines [187]. According to authors, *HvCBF2* may activate target genes at warm temperatures, and transcript accumulation for some of them is greatly enhanced by cold temperatures.

The influence of CNV at *HvCBF2A-HvCBF4B* on the expression levels of *HvCBF12*, *HvCBF14*, and *HvCBF16* was investigated using the high frost-tolerant variety ‘Admire’ and different descendent genotypes (namely, Missouri barley—MO B lines) by Dhillon and colleagues [149]. MO B lines harboring a higher number of copies of *HvCBF2A-HvCBF4B* had higher expression levels of all three genes under normal growth conditions.

In addition, Mareri et al. [117] investigated the expression levels and relationship between *HvCBF14* and CNV at *HvCBF2A* and *HvCBF4B* in barley winter, spring, and facultative cultivars with varying degrees of frost tolerance. Authors found higher expression levels for *HvCBF2A* and *HvCBF4B* in winter lines (with a higher copy number) under warm-light conditions. Moreover, putative motifs recognized by other AP2-CBF were identified in the promoters of *HvCBF2C*, *HvCBF12*, *HvCBF12C*, *HvCBF14*, *HvCBF15*, and *HvCBF16*, suggesting an extensive interplay of the *CBF* gene family in response to external stimuli. This observation might indicate that CNV present in frost-tolerant genotypes might play a role in the accumulation of higher levels of transcripts under warm daylight conditions, a kind of “steady-state defense system” ready to react when winter cold arrives. In contrast, *HvCBF14* was induced by cold in the dark (6 °C), suggesting its role in the activation of the response to a cold stimulus.

These observations, therefore, seem to outline a complex scenario in which the *CBFs* in the proximal-central portion of *FR-2* (phylogenetically classified in subgroup IV) are involved in the response to low temperatures through two putatively complementary and interacting mechanisms: “pre-cold priming” and “cold induction.” The former represents a kind of constitutive *CBF* expression level that fluctuates however, driven by the circadian cycle and light quality and/or intensity. In the case of frost-resistant genotypes, this may lead to the accumulation of higher levels of transcripts due to their higher CNV of *HvCBF2A-HvCBF4B* [117,121,149], and as a result, this may be associated with higher expression levels after the cold stimulus of other *CBFs* and then effector genes [187]. Otherwise, some post-translational mechanisms could be involved that activate the proteins accumulated at “pre-cold priming” only after the cold stimulus [188].

The presence of a basal, light-independent, cold-responsive activation of the *HvCBF-COR14B* pathway was proposed by Vashegyi et al. 2013 [189]. The expression of *HvCBF14* was shown to be induced by temperature shift and blue light [180], while a significant response to cold, light intensity, and far-red supplementation for *HvCBF14* and consequently the *HvCOR14B* gene was reported [90]. The second mechanism, “cold induction,” is thus based on the major contribution of *HvCBF14* (exhibiting single nucleotide variations) that is up-regulated with the cold stimulus and may regulate effector genes or other *CBF* genes [155,180], leading to cold acclimation via activation of the ICE-CBF-COR pathway. Whether these mechanisms can be effectively exploited for the breeding of superior genotypes remains to be proved and represents an interesting starting point for applied research.

#### 2.4. *FR-2* in Wheats—*CBF* Cluster Ploidy

While barley has a diploid genome ( $2n = 2x = 14$ , HH) of 5 giga base pairs (Gbp) [190], tetraploid durum wheat ( $2n = 4x = 28$ , AABB) has 12 Gbp [191], and hexaploid wheat ( $2n = 6x = 42$ , AABBDD) has approximately 17 Gbp [192]. Thereby, *FR-2* organization in wheat is more complex compared to barley due to the contribution of one/multiple homoeologous chromosome regions and redundancy caused by the ploidy level [193–195]. Wheat exhibits

high variability in frost tolerance traits, given that hexaploid wheat genotypes (AABBDD) exhibit greater frost tolerance than diploid (AA) and tetraploid genotypes (AABB) [196,197].

The first works on *CBF/FR-2* in wheat were carried out in mapping populations of einkorn diploid wheat (*Triticum monococcum* L.), which is the ancestor of the A genome in hexaploid wheat and is considered a practical model for the functional genetics of wheat [75,110,118,119,170,198,199]. First expression studies showed the association of *CBF* genes at the *FR-A<sup>m</sup>2* with the expression of *COR* genes and frost tolerance [75,110].

*TmCBF12*, *TmCBF14*, *TmCBF15*, and *TmCBF16* (central cluster) expression levels were significantly associated with frost tolerance, measured as regrowth capacity after stress. Moreover, a high-density mapping study confirmed that *TmCBF12*, *TmCBF14*, and *TmCBF15* were the candidates for the observed differences [119].

Thanks to the works carried out on *T. monococcum*, the number and position of *CBF* genes in bread wheat were identified in different works. While in barley, a CNV has never been associated with a central cluster at *FR-H2* (see above), in diploid and polyploid wheat, a lower copy number of *CBF14* in the B genome compared to the A and D genomes was reported [200]. Consistent with this finding, Zhu et al. [124] reported that differences in *TaCBF-A14* copy numbers separated susceptible and resistant haplotypes into two distinct panels: winter and spring. Moreover, CNV at *CBF14* in the winter panel was associated with higher expression levels in tolerant haplotypes. *TaCBF-A12* and *TaCBF-A15* were characterized by two insertions/deletions and ten single nucleotide polymorphisms, and CNV was reported. The importance of CNV at *FR-A2* was confirmed by Sieber and colleagues [123] in durum wheat, where approximately 90% of the genotypic variance at *FR-A2* was explained by CNV at *CBF-A14*. Three large deletions, which eliminated 6, 9, and 11 *TaCBF* genes, respectively, were identified in the *FR-B2* locus in tetraploid and hexaploid wheat [193]. These deletions were mainly located in the central part of the cluster, which encompasses *TaCBF-B12*, *TaCBF-B14*, and *TaCBF-B15*, and were observed in cultivated spring wheat, either tetra or hexaploid, associated with lower levels of frost tolerance compared to the wild-type *FR-B2* locus without deletion [193]. Würschum and colleagues [201] evaluated different levels of phenotypic variance in a panel of 407 diverse European winter wheats, confirming the importance of the CNV of *TaCBF-A14*. In addition, new highly conserved amino acid substitutions in *TaCBF-A3*, *TaCBF-A15*, *VRN3*, and *PPD1* proteins were found to be associated with frost tolerance in wheat (*Triticum aestivum* L.) [202].

*TaCBF14* and *TaCBF15* were associated with increased frost tolerance in doubled haploid (DH) mapping populations of ‘Norstar’ × ‘Winter Manitou’ and ‘Norstar’ × ‘Cappelle-Desprez’ (all WH genotypes) [198]. Higher levels of *TaCBF14* induced by temperature shift and blue light were reported in winter wheat ‘Cheyenne’ [180].

Recent studies expanded the investigation of ICE-CBF-COR interconnection with other environmental stimuli with high-throughput functional analysis [78,195,203–206]. Guo et al. [78] carried out RNAseq and qPCR analysis in wheat tissues under different stress conditions, observing the expression of 53 genes belonging to the ICE-CBF-COR signaling cascade that revealed tissue-specific expression patterns of the *ICE*, *CBF*, and *COR* genes under different stress conditions. Six genes related to the ICE-CBF-COR pathway (*TaCBF11a*, *TaCBF16b*, *TaICE1a*, *TaICE1d*, *TaCOR5a*, and *TaCOR6d.1*) were induced by all treatments (drought, heat, drought, and cold). Three genes, two *CBFs* and one *COR* (*TaCBF1b*, *TaCBF4a*, and *TaCOR3b*), were induced specifically by cold.

Zheng et al. [206] carried out an isoform sequencing experiment at four leaf stages under frost stress (at  $-6^{\circ}\text{C}$ ), and expression levels of *TaCBF8a* and *TaCBF14a* decreased, while *TaCBF6a*, *TaCBF9a*, *TaCBF10a*, *TaCBF13a*, and *TaCBF15a* expression levels increased. Recently, Wang et al. [203] performed a transcriptome analysis during the vernalization ( $4^{\circ}\text{C}$ ) time-course with sampling from one to six weeks. Six *CBF* genes of the III subgroup were highly expressed exclusively before vernalization (“steady state” at  $22^{\circ}\text{C}$ ), while 10 *CBFs*, mainly from the IV subgroup, were not expressed before and were highly induced by vernalization, reaching the highest level of expression after three weeks and decreasing after five/six weeks of treatment. Two different homologs of the MYC-like

bHLH transcription factor *ICE* were identified in wheat as *TaICE41* and *TaICE87* [146], and their overexpression in *Arabidopsis* enhanced frost tolerance after hardening. The recent availability of the wheat genome allowed us to locate three *TaICE1* genes on the long arm of homoeologous chromosome group 3; these genes were shown to be induced by drought and cold treatment [78]. In addition, Wang et al. [203] reported that *TaICE41* was expressed at extremely high levels after five weeks of vernalization.

### 2.5. *FR-2 in Rye—Evidence of ICE1 Involvement in the Tolerance*

Compared to other *Triticeae* crops, rye is uniquely tolerant to biotic and abiotic stresses, showing high yield potential under marginal conditions [207–209]. However, it received little attention in terms of breeding efforts and genomic research due to its limited distribution worldwide. Likewise barley and rye have a diploid genome ( $2n = 2x = 14, RR$ ); however, it has not become a reference crop for genomic analysis in the *Triticeae* tribe due to its elevated level of allogamy and the fact that the first chromosome-scale assembly of its large 7.9 Gbp genome was released only recently, in 2021 [114], showing 92% of repetitive elements [207,210–213].

Investigation of rye genome evolution and chromosome synteny [213] revealed, as expected, that the chromosome 5R harboring *FR-2* and *FR-1* loci is entirely collinear with wheat homoeologous chromosome group 5. Initially, eleven *ScCBF* genes were isolated in a winter rye genome, and nine of them were mapped on chromosome 5R with a cluster organization (*FR-R2*) [106]. Subsequently, Jung and Seo [207] identified 12 new *CBF* genes and five new *CBF* gene alleles. The genome assembly [114] reported CNV for 4 members of *CBF* Group IV between tolerant and resistant varieties.

Concerning the structure of the locus, *FR-R2* haplotyped variation has been associated with different frost tolerance levels in different rye genotypes [114,214]. In a recent study aimed at the evaluation of different haplotypes of *FR-R2*, 259 marker-trait-associations (MTAs;  $p < 0.01$ ) were found in 96 genotypes [111]. The ten most significant markers associated with winter frost survival (WFS) corresponded to nine strong candidates, including *ICE1*. Moreover, three MTA identified at a lower significance level matched *CBF* genes at *FR-2R*, namely *CBFIIIId-19*, *CBFIVa-2.2*, and *CBFIIIa-6.2*. What is more interesting is that *ICE1* showed 97% sequence identity to orthologous *TaICE41* of hexaploidy wheat, and *CBFIIIId-19* and *CBFIVa-2.2* are putatively orthologous to hexaploid wheat genes reported to be induced by vernalization [199,204] (see above). For *ICE1* protein, amino acid variation within the DNA-binding bHLH region and/or start of the zipper region resulted in traits such as WFS and low temperature tolerance. Authors hypothesized that the *ICE1* gene identified could be allelic with the *ICE2* gene in rye, whose allelic variation had been reported to be associated with variation for winter hardiness and frost tolerance, and that different *ICE* alleles could be important for frost tolerance in rye [214]. Thus, specific *ICE* alleles (for example, coding for *ICE1* proteins with reduced affinity for the MYC binding sites in the promoters of *CBF* and *COR* genes) could be important for winter hardiness [111].

### 2.6. *New Frontiers for CBF Genes? CBF Genes in the Drought Stress Adaptive Response*

*CBF* genes are members of a large protein family of the C-repeat binding factor/Dehydration responsive element-binding 1 (*CBF/DREB1*), known to be involved in the growth and development processes and responses to different environmental stressors (cold, heat, drought, salt, etc.) [215]. *CBF* genes could thus have in *Triticeae* a role in a cross-talk between the cold and drought response pathways, as already reported for *Arabidopsis* [98,216].

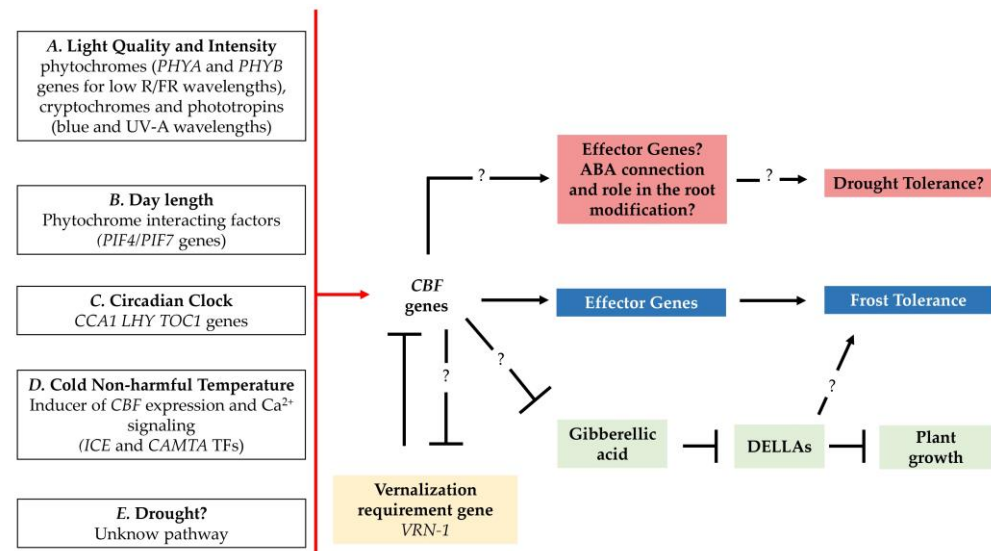
The *CBF/DREB1* regulon modifies the plant metabolism in conditions of water deficiency, and their activation might also be triggered by drought conditions in the seedling phase [78,217]. In several drought-responsive genes, such as *AtRD29A* (responsive to desiccation), *HvDHN1–HvDHN11* (dehydrin), or *AtCOR6.6*, a DRE/CRT motif is present in the promoter regions. When drought conditions occur, the plant reduces its water uptake by closing the stomata, which also reduces its  $CO_2$  uptake, which results in a reduction in the photosynthesis and physiological activities. To cope with drought stress, plants activate several morphological and physiological modifications to conserve water and reduce its loss. The molecular response

to drought follows a similar pathway to cold acclimation due to the same trigger of water scarcity, which activates both responses. As already summarized (see Figure 1), water deficit activates, like low temperature stress, two different signaling pathways: ABA-dependent and ABA-independent [131]. The interaction between *CBF* genes in hormone-mediated acid abscisic (ABA) pathways has been reported [218,219]. In *A. thaliana*, the ABA-independent pathway is regulated by *AtCBF4*, which increases the production of a class of small, highly expressed, and stress-inducible proteins called late embryogenesis abundant (LEA), protecting the cellular membranes and the cytoskeleton from desiccation [216,220]. Interestingly, it has been shown in *A. thaliana* that *ABA-responsive* genes contain in the promoter regions both the ABA-response cis-element ABRE/ABF and the CRT/DRE motif [221]. Overall, drought stress in barley and wheat can have a significant negative impact on plant growth, yield, and grain quality; however, plants have evolved mechanisms to cope with water scarcity and to survive in dry environments [222]. Nevertheless, which *CBF* genes and which pathways are activated have not been determined yet [88,148,215]. In a study of *A. thaliana* transgenic lines, the overexpression of *AtCBF1* and *AtCBF3* genes resulted in an increase in drought tolerance [223]. A review of the conservative role of *CBF* genes throughout the *Poaceae* family reported rice *OsDREB1A* localized in the cluster *OsDREB1H*, syntenic with the *FR-2* locus on chromosome 5 of *Triticeae* involved in chilling tolerance [96]. However, few examples of studies of the role of *CBF* genes in drought tolerance are available for barley and wheat.

A common phenotypic response observed in transgenic lines overexpressing *CBF* genes in different crops can be identified as an increased tolerance to frost and/or drought and modified growth and development, as originally reported for Arabidopsis [215,223]. Overexpression of two *CBF/DREBs* (*TaDREB3* and *TaCBF5L*) in wheat and barley was reported to lead to an increase in drought and frost tolerance in transgenic barley. Moreover, in transgenic wheat, the *TaCBF5L* gene significantly increased the grain yield under severe drought during flowering [77]. Javadi and colleagues mined available GeneChip microarray data [224] in order to detect key genes involved in drought tolerance in barley and identified hub genes from the AP2 and NAC families that might be among the key TFs that regulate drought-stress response in barley. What is interesting is that *HvCBF6* (distal cluster of *FR-H2*) was included among the hub genes. In rye, the PEG treatment (drought condition simulation) revealed that there is a specific type of response to stress among *ScCBF* genes; most of them were highly responsive to cold stress, whereas *ScCBF2* and *ScCBF7b* were induced by water deprivation and were almost insensitive to low temperature [207]. Guo and colleagues [78] characterized the expression profile of the *ICE-CBF-COR* pathway in different wheat tissues under different stress conditions. Authors showed that *TaCBF11a*, *TaCBF16b*, *TaICE1a*, *TaICE1d*, *TaCOR5a*, and *TaCOR6d.1* were induced by drought, and the induction level was higher in tolerant genotypes [205].

The overlapping of cold/frost and drought conditions is a relatively unexpected new form of combination of abiotic stress, and it usually happens during the late autumn, after sowing, when winter genotypes are in the seedling phase. The drought stress in the seedling phase induces root architecture modification that might act as a constitutive resistance mechanism, useful when the stress re-occurs in other phenological phases [225–227]. As observed in numerous studies in the past years, *CBF* overexpression in the model plant Arabidopsis enhances abiotic stress tolerance but, on the other hand, reduces growth. *CBF* genes are known to interact with plant hormones [131], and the current model of *CBF-GA* (gibberellic acid) interplay proposes that overexpression of *CBFs*, either via cold induction or by transgenic means, stimulates the accumulation of DELLAs. Those growth-repressing proteins act downstream in the GA signaling pathway, leading to stunted growth. As far as the underlying molecular mechanism is concerned, in warm temperatures, DELLAs interact with JAZs to prevent JAZs binding to *ICE1*, leading to its inactivation. In cold temperatures, *ICE1* is modified to gain the function for activation of *CBF* transcription [228]. Understanding the relationship between *CBF* genes, GA and DELLA proteins might help to get an overall picture of the role of *CBFs* in plant physiology. One of the new frontiers that regard *CBF* genes is to evaluate their contribution in the tillering phase, crucial in

the growth and development of wheat and barley, as it directly influences the potential yield and overall productivity of cereal crops [229]. Moreover, in this phase, winter cereals reach the maximum of their stress tolerance [28,132,143]. The main actors in tillering formation are gibberellic and abscisic acids; moreover, the roles of *VRN-1* and *VRN-2* and the photoperiod response gene *PPD-1* have been described [230–232]. All these components interact with *CBF* genes; however, mechanisms of interaction are still not clear (Figure 4).



**Figure 4.** Outline of the integration of environmental stimuli that putatively influence the action of *CBF* genes. White boxes—environmental stimuli that influence (induce or repress) *CBF* genes; colored boxes—the cascade or putative cascade pathways activated by *CBF* genes; black arrows—induction or up-regulation of gene expression; black lines with blunt ends—repression of gene expression; ?—hypothetical interactions still not proven in *Triticeae* crops. Letters in bold—stimuli that influence the *CBF* expression. (A)—Hypothetical model for the phytochrome-dependent *CBF14* regulation in barley and wheat suggested by Novák et al. [155]. Under white light illumination, *HvCBF14* is repressed by the active form of Phytochrome B (*phyB*), and the expression of Phytochrome A (*PHYA*) is inhibited by light and by *phyB*. Under supplemental FR illumination (low R:FR ratio), most of the *phyB* proteins are in inactive form and *HvCBF14* or *PHYA* are released under repression. The active form of *phyA* may then enhance the expression of *HvCBF14*. The original model was proposed by Wang et al. [233] for tomato plants. (B)—In Arabidopsis, Phytochrome-interacting factors *PIF4* and *PIF7* are involved in the photoperiodic regulation of *AtCBF2*. In long-day conditions, *PIF4* and *PIF7* down-regulate the *CBF* pathway [150]. (C)—Circadian-clock-associated1 (*CCA1*) and late elongated hypocotyl (*LHY*) are positive regulators of *CBF* expression and plant freezing tolerance [148]. The *CBF* expression peak was observed before the sunset [149]. No circadian-clock-component was found in the promoter region, suggesting an intermediate role by other genes [117]. (D)—Inducers of *CBF*-expression *ICE* and Calmodulin-binding transcription activators *CAMTA* transcription factors are the *CBF* genes expression promoter under the cold stimuli [81,147]. (E)—Concerning the drought, in barley, it has been shown that *HvCBF1*- and *HvCBF3*-subgroup proteins bind the DRE/CRT motif promoter either at warm or low temperatures, and several drought responsive genes related to DRE/CRT motif are present in their promoter regions [148]. Nevertheless, which *CBF* genes and which pathway are still unknown. In colored rectangles, the *CBF*'s cascade pathways. Red rectangles—the role of the *CBF* genes in the drought tolerance is still unclear; however, it might have a putative connection with the ABA pathway that induces root modification [94,234]. Green rectangles—*CBF* genes have a role in connecting plant hormones like gibberellic acid and DELLA proteins, increasing freezing tolerance and showing stunted growth and delayed flowering [235,236]. This mechanism was established in Arabidopsis (for a recent review, see [237]); however, there have been no reports for *Triticeae*. Yellow rectangle—for the vernalization, *VRN-1* can bind *CBF* gene promoters, reducing their transcription [72]; however in the first phase of cold acclimation, the *CBF* protein may have a putative role to down-regulate *VRN-1*.

### 3. Prospects for *Triticeae* Improvement against Abiotic Stresses

Crop improvement is pursued through different approaches that range from traditional breeding to marker-assisted and genomic selection. Molecular markers facilitate the identification of superior plant materials; however, they still present limitations for complex quantitative traits and in cases of reduced genetic variability. Genomic selection (GS) uses high-throughput genotyping and phenotyping and can be further integrated with the so-called speed-breeding methods and modeling [141], leading to an approach called integrated genomic selection (IGS) [238,239]. Doubled haploid (DH) breeding and the single seed descent (SSD) method can be implemented to reduce the length of breeding cycles and accelerate genetic advances [240,241]. Speed breeding has also been proposed in combination with marker-assisted selection (MAS) for efficient introgression/combination of desired traits in superior genotypes (for a recent review, see [242]). The efficacy of breeding programs can take advantage of multi-dimensional omics; existing germplasm collections can be investigated with the information derived from genome sequences and connected to high-throughput phenotyping data. Incorporating, through climate change models, environmental information sourced from past weather databases or forecasted into the analysis of crop models can yield valuable metadata regarding phenology [238].

Climate change effects that we have been facing in the last decades are increasing the demand for resilient crops that would harbor traits required to tolerate multiple stresses in combination with optimum yield and efficient biomass partitioning [238,243]. The availability of different omics tools (e.g., whole genome sequences, transcriptomes, molecular markers, and linkage maps) could be used to increase and incorporate into new resistant varieties the necessary phenotypic variability [244].

Extensive literature sources regarding the complicated biological pathways involved in the abiotic stress tolerance of *Triticeae* exist. Breeding of wheat and barley is based on their strong autogamous mating systems (outcrossing rates are less than 2% in most situations). For this reason, most new varieties are still obtained via conventional strategies (e.g., inter-varietal crosses, backcrosses, and multi-parent schemes); genotypes harboring the desired traits are artificially crossed, and selection of desirable trait combinations is applied to their progeny. In the case of MAS, functional/diagnostic markers are ideal, in particular when derived from major genes at *VRN-1/FR-1* and *FR-2*. Haplotypes based on multiple markers (mainly SNPs) with strong linkage disequilibrium are more informative and thus were proposed to be applied to target the traits of interest [245], and examples of genome-wide association-based haplotypes were reported in barley [246] and wheat [247]. The contribution of GS (based on prediction of genomic estimated breeding values of individuals modeled from a fully characterized training population) has been also demonstrated in major crops [248]. As the inclusion of functional markers linked to determinant genes can greatly improve prediction accuracy [249,250], molecular markers associated with variation of *CBF* genes could become a useful tool to be integrated in the barley and wheat programs [44,228,251]. Genotypes harboring higher copy numbers at relevant genomic regions within *FR-2* (i.e., *HvCBF2A-HvCBF4B* or *TaCBF14* and *TaCBF15*), in combination with resistant alleles of other *CBFs* (e.g., *HvCBF14* in barley), should be used to create new resistant *Triticeae* cultivars [198,252]. For example, for the development of new, winter malting barley lines, Stockinger [251] suggested advancing a “breeder-friendly” molecular marker approach capable of speeding up the quantification of the CNV in order to integrate it in modern breeding programs [149]. Nowadays, most genotypes used for malting are spring varieties; however due to climate change, in the future, the actual areas of their cultivation, such as US, Canada, UK, Denmark, Germany, Poland, and Hungary, might see the introduction of new winter varieties due to the increasing temperature in the winter [253–255]. In wheats, the contribution of homoeologous *FR-2* loci could also be taken into account; a KASP (Kompetitive allele-specific PCR) assay was developed for an SNP at *FR-B2*, which would be included in a set of markers used for breeding and research [256].

Due to the minor worldwide distribution of rye and issues for genetic analyses (given by its cross-pollinator nature with a genetic self-incompatibility mechanism), genomic tools for this species have only been developed recently [257]. Rye genetic resources provide a valuable source of new alleles for the improvement of the species. Although marker-assisted selection was useful for monogenic traits, such as fertility restoration or some disease resistance, only the recent increase in genomic resources has boosted hybrid rye breeding [257,258], giving the possibility to operate on a larger scale than MAS. Rye has strong potential for adaptation to a changing climate, and thus, as far as breeding for frost resistance is concerned, genetic resources should harbor promising alleles for the improvement of this trait in winter elite lines. Whole-genome prediction models assigning a high weight to the *FR-R2* locus allow for increasing the selection intensity through genome-based pre-selection of promising candidates [259].

The above-described approaches proved their efficiency and contributed to developing abiotic stress tolerance in *Triticeae*; however, the process may take years, not in line with the demands of evolving requirements of farmers, growers, industry, and commerce [244]. Therefore, efficient technologies with fast impacts are required to face those issues and challenges [260]. Genome editing enables precise changes in an organism's DNA by introducing targeted mutations, insertions/deletions, and specific sequence alterations. CRISPR/Cas9 [261] is considered to be the most successful genome editing system for a wide range of organisms [262]. The genes involved in regulatory networks, signal transduction, and metabolite production may be targeted via CRISPR/Cas9 technologies to develop stress-tolerant crops [263]. However, there have been only a few examples of CRISPR-based genome editing approaches in plants for the improvement of abiotic stress tolerance, especially those regarding cold/drought resistance and involving genes from the ICE-CBF-COR pathway. Mutants were generated by CRISPR/Cas9 to characterize the *UGT79B2* and *UGT79B3* genes of the UDP-glucosyltransferase (UGTs) of Arabidopsis, showing that *CBF1* regulates *UGT79B2/B3* and improves stress resistance [264]. *CBF1* was shown, moreover (using CRISPR/Cas9-based *cbf1* mutants), to protect the tomato plant from cold/chilling damage and decrease electrolyte leakage [265]. To augment the plant's resistance to cold, genome editing was employed to target a few of the transcription factors in rice, e.g., *OsMYB30*, which regulates the amylase gene and negatively affects cold tolerance [266]. The first CRISPR-/ Cas9-based gene editing attempt was conducted in wheat protoplasts targeting *TaDREB2* and *TaERF3*, and the results support the positive regulation of both genes under drought stress and the potentiality of the method [267]. However, it should be taken into consideration that editing single/multiple *CBFs* could not result in the desired phenotype. In fact, an elegant CRISPR/ Cas9 experiment conducted in Arabidopsis clarified the involvement of the *CBF* cluster in the response to multiple abiotic stresses and in plant development [268]. Single, double, and triple mutants in *AtCBF1*, *AtCBF2*, and *AtCBF3* were phenotyped for tolerance to chilling/freezing and to other abiotic stresses and in development. Transcriptome analysis in wild type and mutants after cold induction (4 °C) revealed the complexity of the regulon, with the underlying redundancy and interplay of the genes connected to abiotic tolerance and growth.

#### 4. Conclusions

Aiming to improve crops by combining agronomic practices and phenotyping with genetics and biotechnological tools (i.e., molecular markers, QTLs, and haplotype mapping), we reported the latest updates regarding the mechanism involved in abiotic stress response that has the *CBF* genes as the main hub. In this review, the potential role of the ICE-CBF-COR pathway in frost tolerance and the putative involvement in drought tolerance of *Triticeae* were discussed, aiming at increased knowledge on crop growth, stress responses, and tolerance mechanisms. Understanding the structural organization and expression regulation of the *CBF* cluster harbored by the homoeologous chromosome group 5 entails significant potential for genetic improvement of cereals within the *Triticeae* tribe. The retrieval, evaluation, and synthesis of pertinent literature outlined a complex scenario



in which the CBFs in the proximal-central portion of *FR-2* (phylogenetically classified in subgroup IV) are mainly involved in tolerance to low temperatures. In barley, taken as a diploid model, a mechanism that integrates the “steady state” level of some element(s) under CNV (e.g., *HvCBF2A* and *HvCBF4B*) with a strong induction of other gene(s), among which *HvCBF14* exhibits single nucleotide variations, seems to have a significant role. However, the response/phenotype appears to be governed by two complementary and interacting modes of action, which we called “pre-cold priming” and “cold induced.” The former represents a kind of constitutive CBF expression level that, however, fluctuates driven by the circadian cycle and light quality/intensity. In the case of frost-resistant genotypes, harboring higher copies of the *HvCBF2A-HvCBF4B* segment may lead to the accumulation of higher levels of transcripts at “steady state,” ready to be translated into proteins. Otherwise, some post-translational mechanisms could be involved; CBF proteins accumulated at “pre-cold priming” are activated only after the cold stimulus. The second mode of action is mainly based on the contribution of *HvCBF14*, which is strongly up-regulated by cold, and the final scope of the whole mechanism is a fine-tuning of the CBF regulon, which leads to cold acclimation. Whether this molecular regulation can be effectively exploited for breeding superior genotypes remains to be proven and represents an interesting starting point for applied research. Concerning wheat, the organization of the *FR-2* seems more complex than in barley, due to polyploidy, which appears to confer species-specific levels of resistance. Moreover, specific CBFs such as *TaCBF14* and *TaCBF15*, carrying variations in gene copy numbers, have been associated with frost tolerance. Recent studies focused on the ICE-CBF-COR pathway, elucidating an important involvement of the ICE transcription factor that was linked to winter hardiness and frost tolerance in rye. As far as the authors know, no such association has been reported, neither for wheat nor barley, and could therefore explain the greater tolerance of (diploid) rye, even if *FR-R2* hosts a similar number of CBFs (per haploid genome). The demonstrated overlapping nature of the adaptive responses to cold and drought, however, appears to be based on the involvement of different CBF/DREB1 factors. While response to cold seems to be driven by subgroup IV, we report works suggesting the potential role of CBF members of subgroup III (mapping in the distal region of the *FR-2* cluster) in drought resistance. In conclusion, given the redundant involvement of CBFs, an integrated approach based on (i) low-cost markers capable of detecting CNV of key genomic segments, (ii) the introduction of new allelic variants (generated by CRISPR/Cas), (iii) haplotype selection, and (iv) accurate phenotype selection techniques are needed.

**Author Contributions:** Conceptualization, G.C. and E.F.; writing—original draft preparation, G.C., J.M., F.C. and M.F.N.; writing—review and editing, G.C., J.M. and E.F. All authors have read and agreed to the published version of the manuscript.

**Funding:** This research received no external funding.

**Institutional Review Board Statement:** Not applicable.

**Informed Consent Statement:** Not applicable.

**Data Availability Statement:** Not applicable.

**Conflicts of Interest:** The authors declare no conflict of interest.

## References

1. Pingali, P.L. Green Revolution: Impacts, Limits, and the Path Ahead. *Proc. Natl. Acad. Sci. USA* **2012**, *109*, 12302–12308. [[CrossRef](#)] [[PubMed](#)]
2. World Population Prospects 2022, Population Growth Rate File, Estimates Table United Nations Department of Economic and Social Affairs. 2022. Available online: <https://population.un.org/wpp/> (accessed on 29 November 2022).
3. Bailey-Serres, J.; Parker, J.E.; Ainsworth, E.A.; Oldroyd, G.E.D.; Schroeder, J.I. Genetic Strategies for Improving Crop Yields. *Nature* **2019**, *575*, 109–118. [[CrossRef](#)]
4. Evenson, R.E.; Gollin, D. Assessing the Impact of the Green Revolution, 1960 to 2000. *Science* **2003**, *300*, 758–762. [[CrossRef](#)] [[PubMed](#)]

5. Hedden, P. The Genes of the Green Revolution. *Trends Genet.* **2003**, *19*, 5–9. [[CrossRef](#)] [[PubMed](#)]
6. Wik, M.; Pingali, P.; Broca, S. *Global Agricultural Performance: Past Trends and Future Prospects*; World Bank: Washington, DC, USA, 2008; p. 40.
7. Foley, J.A.; Ramankutty, N.; Brauman, K.A.; Cassidy, E.S.; Gerber, J.S.; Johnston, M.; Mueller, N.D.; O'Connell, C.; Ray, D.K.; West, P.C.; et al. Solutions for a Cultivated Planet. *Nature* **2011**, *478*, 337–342. [[CrossRef](#)]
8. Pingali, P.L. The Green Revolution and Crop Biodiversity. In *Biological Extinction*; Dasgupta, P., Raven, P., McIvor, A., Eds.; Cambridge University Press: Cambridge, UK, 2019; pp. 175–192, ISBN 978-1-108-66867-5.
9. Kopittke, P.M.; Menzies, N.W.; Wang, P.; McKenna, B.A.; Lombi, E. Soil and the Intensification of Agriculture for Global Food Security. *Environ. Int.* **2019**, *132*, 105078. [[CrossRef](#)]
10. Zhu, X.-G.; Long, S.P.; Ort, D.R. Improving Photosynthetic Efficiency for Greater Yield. *Annu. Rev. Plant Biol.* **2010**, *61*, 235–261. [[CrossRef](#)]
11. Schröter, D.; Cramer, W.; Leemans, R.; Prentice, I.C.; Araújo, M.B.; Arnell, N.W.; Bondeau, A.; Bugmann, H.; Carter, T.R.; Gracia, C.A.; et al. Ecosystem Service Supply and Vulnerability to Global Change in Europe. *Science* **2005**, *310*, 1333–1337. [[CrossRef](#)]
12. Kole, C.; Muthamilarasan, M.; Henry, R.; Edwards, D.; Sharma, R.; Abberton, M.; Batley, J.; Bentley, A.; Blakeney, M.; Bryant, J.; et al. Application of Genomics-Assisted Breeding for Generation of Climate Resilient Crops: Progress and Prospects. *Front. Plant Sci.* **2015**, *6*, 563. [[CrossRef](#)]
13. Grassini, P.; Eskridge, K.M.; Cassman, K.G. Distinguishing between Yield Advances and Yield Plateaus in Historical Crop Production Trends. *Nat. Commun.* **2013**, *4*, 2918. [[CrossRef](#)]
14. Khoury, C.K.; Brush, S.; Costich, D.E.; Curry, H.A.; De Haan, S.; Engels, J.M.M.; Guarino, L.; Hoban, S.; Mercer, K.L.; Miller, A.J.; et al. Crop Genetic Erosion: Understanding and Responding to Loss of Crop Diversity. *New Phytol.* **2022**, *233*, 84–118. [[CrossRef](#)] [[PubMed](#)]
15. Haussmann, B.I.G.; Parzies, H.K.; Presterl, T.; Suciz, Z.; Miedaner, T. Plant Genetic Resources in Crop Improvement. *Plant Genet. Resour. Charact. Util.* **2004**, *2*, 3–21. [[CrossRef](#)]
16. Corrado, G.; Rao, R. Special Issue: Plant Genetics and Biotechnology in Biodiversity. *Diversity* **2018**, *10*, 19. [[CrossRef](#)]
17. Zhao, Y.; Tang, L.; Li, Z.; Jin, J.; Luo, J.; Gao, G. Identification and Analysis of Unitary Loss of Long-Established Protein-Coding Genes in Poaceae Shows Evidences for Biased Gene Loss and Putatively Functional Transcription of Relics. *BMC Evol. Biol.* **2015**, *15*, 66. [[CrossRef](#)] [[PubMed](#)]
18. Zenda, T.; Liu, S.; Dong, A.; Duan, H. Advances in Cereal Crop Genomics for Resilience under Climate Change. *Life* **2021**, *11*, 502. [[CrossRef](#)] [[PubMed](#)]
19. Doebley, J.F.; Gaut, B.S.; Smith, B.D. The Molecular Genetics of Crop Domestication. *Cell* **2006**, *127*, 1309–1321. [[CrossRef](#)]
20. Intergovernmental Panel on Climate Change. *Climate Change and Land: IPCC Special Report on Climate Change, Desertification, Land Degradation, Sustainable Land Management, Food Security, and Greenhouse Gas Fluxes in Terrestrial Ecosystems*, 1st ed.; Cambridge University Press: Cambridge, UK, 2022; ISBN 978-1-00-915798-8.
21. Kovak, E.; Blaustein-Rejto, D.; Qaim, M. Genetically Modified Crops Support Climate Change Mitigation. *Trends Plant Sci.* **2022**, *27*, 627–629. [[CrossRef](#)]
22. Challinor, A.J.; Watson, J.; Lobell, D.B.; Howden, S.M.; Smith, D.R.; Chhetri, N. A Meta-Analysis of Crop Yield under Climate Change and Adaptation. *Nat. Clim. Change* **2014**, *4*, 287–291. [[CrossRef](#)]
23. Reynolds, M.P.; Quilligan, E.; Aggarwal, P.K.; Bansal, K.C.; Cavalieri, A.J.; Chapman, S.C.; Chapotin, S.M.; Datta, S.K.; Duveiller, E.; Gill, K.S.; et al. An Integrated Approach to Maintaining Cereal Productivity under Climate Change. *Glob. Food Secur.* **2016**, *8*, 9–18. [[CrossRef](#)]
24. Muehlbauer, G.J.; Feuillet, C. (Eds.) *Genetics and Genomics of the Triticeae*; Springer US: New York, NY, USA, 2009; ISBN 978-0-387-77488-6.
25. Wang, J.; Vanga, S.; Saxena, R.; Orsat, V.; Raghavan, V. Effect of Climate Change on the Yield of Cereal Crops: A Review. *Climate* **2018**, *6*, 41. [[CrossRef](#)]
26. FAO; STAT. License: CC BY-NC-SA 3.0 IGO. Available online: <https://www.fao.org/faostat/en/#home> (accessed on 7 October 2022).
27. Barkworth, M.E.; Von Bothmer, R. Scientific Names in the Triticeae. In *Genetics and Genomics of the Triticeae*; Muehlbauer, G.J., Feuillet, C., Eds.; Springer US: New York, NY, USA, 2009; pp. 3–30, ISBN 978-0-387-77488-6.
28. Hyles, J.; Bloomfield, M.T.; Hunt, J.R.; Trethowan, R.M.; Trevaskis, B. Phenology and Related Traits for Wheat Adaptation. *Heredity* **2020**, *125*, 417–430. [[CrossRef](#)] [[PubMed](#)]
29. Schreiber, M.; Himmelbach, A.; Börner, A.; Mascher, M. Genetic Diversity and Relationship between Domesticated Rye and Its Wild Relatives as Revealed through Genotyping-by-sequencing. *Evol. Appl.* **2019**, *12*, 66–77. [[CrossRef](#)] [[PubMed](#)]
30. Bond, D.M.; Dennis, E.S.; Finnegan, E.J. The Low Temperature Response Pathways for Cold Acclimation and Vernalization Are Independent: Low Temperature Response Pathways. *Plant Cell Environ.* **2011**, *34*, 1737–1748. [[CrossRef](#)] [[PubMed](#)]
31. Trevaskis, B.; Hemming, M.N.; Peacock, W.J.; Dennis, E.S. *HvVRN2* Responds to Daylength, Whereas *HvVRN1* Is Regulated by Vernalization and Developmental Status. *Plant Physiol.* **2006**, *140*, 1397–1405. [[CrossRef](#)] [[PubMed](#)]
32. Thomashow, M.F. Molecular Basis of Plant Cold Acclimation: Insights Gained from Studying the CBF Cold Response Pathway: Figure 1. *Plant Physiol.* **2010**, *154*, 571–577. [[CrossRef](#)] [[PubMed](#)]

33. von Bothmer, R.; Sato, K.; Komatsuda, T.; Yasuda, S.; Fischbeck, G. The Domestication of Cultivated Barley. In *Developments in Plant Genetics and Breeding*; Elsevier: Amsterdam, The Netherlands, 2003; Volume 7, pp. 9–27. ISBN 978-0-444-50585-9.
34. von Zitzewitz, J.; Cuesta-Marcos, A.; Condon, F.; Castro, A.J.; Chao, S.; Corey, A.; Filichkin, T.; Fisk, S.P.; Gutierrez, L.; Haggard, K.; et al. The Genetics of Winterhardiness in Barley: Perspectives from Genome-Wide Association Mapping. *Plant Genome* **2011**, *4*, 76–91. [[CrossRef](#)]
35. Stockinger, E.J. Winter Hardiness and the CBF Genes in the Triticeae. In *Plant Cold Hardiness: From the Laboratory to the Field*; Gusta, L.V., Wisniewski, M.E., Tanino, K.K., Eds.; CABI: Wallingford, UK, 2009; pp. 119–130, ISBN 978-1-84593-513-9.
36. Muñoz-Amatriain, M.; Hernandez, J.; Herb, D.; Baenziger, P.S.; Bochard, A.M.; Capetini, F.; Casas, A.; Cuesta-Marcos, A.; Einfeldt, C.; Fisk, S.; et al. Perspectives on Low Temperature Tolerance and Vernalization Sensitivity in Barley: Prospects for Facultative Growth Habit. *Front. Plant Sci.* **2020**, *11*, 585927. [[CrossRef](#)]
37. Rosicka-Kaczmarek, J.; Makowski, B.; Nebesny, E.; Tkaczyk, M.; Komisarzyk, A.; Nita, Z. Composition and Thermodynamic Properties of Starches from Facultative Wheat Varieties. *Food Hydrocoll.* **2016**, *54*, 66–76. [[CrossRef](#)]
38. Deng, P.; Wang, M.; Feng, K.; Cui, L.; Tong, W.; Song, W.; Nie, X. Genome-Wide Characterization of Microsatellites in Triticeae Species: Abundance, Distribution and Evolution. *Sci. Rep.* **2016**, *6*, 32224. [[CrossRef](#)]
39. Feldman, M.; Levy, A.A. Origin and Evolution of Wheat and Related Triticeae Species. In *Alien Introgression in Wheat*; Molnár-Láng, M., Ceoloni, C., Doležel, J., Eds.; Springer International Publishing: Cham, Switzerland, 2015; pp. 21–76. ISBN 978-3-319-23493-9.
40. Kümlehn, J.; Zimmermann, G.; Berger, C.; Marthe, C.; Hensel, G. Triticeae Cereals. In *Genetic Modification of Plants*; Kempken, F., Jung, C., Eds.; Biotechnology in Agriculture and Forestry; Springer: Berlin/Heidelberg, Germany, 2010; Volume 64, pp. 287–306. ISBN 978-3-642-02390-3.
41. Zhang, H.; Zhu, J.; Gong, Z.; Zhu, J.-K. Abiotic Stress Responses in Plants. *Nat. Rev. Genet.* **2022**, *23*, 104–119. [[CrossRef](#)]
42. Maccaferri, M.; Sanguineti, M.C.; Giuliani, S.; Tuberosa, R. Genomics of Tolerance to Abiotic Stress in the Triticeae. In *Genetics and Genomics of the Triticeae*; Muehlbauer, G.J., Feuillet, C., Eds.; Springer US: New York, NY, USA, 2009; pp. 481–558. ISBN 978-0-387-77488-6.
43. Thomashow, M.F. PLANT COLD ACCLIMATION: Freezing Tolerance Genes and Regulatory Mechanisms. *Annu. Rev. Plant. Physiol. Plant. Mol. Biol.* **1999**, *50*, 571–599. [[CrossRef](#)]
44. Hassan, M.A.; Xiang, C.; Farooq, M.; Muhammad, N.; Yan, Z.; Hui, X.; Yuanyuan, K.; Bruno, A.K.; Lele, Z.; Jincai, L. Cold Stress in Wheat: Plant Acclimation Responses and Management Strategies. *Front. Plant Sci.* **2021**, *12*, 676884. [[CrossRef](#)] [[PubMed](#)]
45. Praba, M.L.; Cairns, J.E.; Babu, R.C.; Lafitte, H.R. Identification of Physiological Traits Underlying Cultivar Differences in Drought Tolerance in Rice and Wheat. *J. Agron. Crop Sci.* **2009**, *195*, 30–46. [[CrossRef](#)]
46. Farooq, M.; Wahid, A.; Kobayashi, N.; Fujita, D.; Basra, S.M.A. Plant Drought Stress: Effects, Mechanisms and Management. In *Sustainable Agriculture*; Springer: Dordrecht, The Netherlands, 2009; p. 36. ISBN 978-90-481-2666-8.
47. Preston, J.C.; Fjellheim, S. Understanding Past, and Predicting Future, Niche Transitions Based on Grass Flowering Time Variation. *Plant Physiol.* **2020**, *183*, 822–839. [[CrossRef](#)] [[PubMed](#)]
48. Ejaz, I.; Pu, X.; Naseer, M.A.; Bohoussou, Y.N.; Liu, Y.; Farooq, M.; Zhang, J.; Zhang, Y.; Wang, Z.; Sun, Z. Cold and Drought Stresses in Wheat: A Global Meta-Analysis of 21st Century. *J. Plant Growth Regul.* **2023**, *42*, 5379–5395. [[CrossRef](#)]
49. Ozturk, T.; Ceber, Z.P.; Türkeş, M.; Kurnaz, M.L. Projections of Climate Change in the Mediterranean Basin by Using Downscaled Global Climate Model Outputs: Projections of climate change in mediterranean by using global models. *Int. J. Climatol.* **2015**, *35*, 4276–4292. [[CrossRef](#)]
50. Cohen, J.; Agel, L.; Barlow, M.; Garfinkel, C.I. Linking Arctic Variability and Change with Extreme Winter Weather in the United States. *Science* **2021**, *373*, 1116–1121. [[CrossRef](#)]
51. Huang, J.; Hitchcock, P.; Maycock, A.C.; McKenna, C.M.; Tian, W. Northern Hemisphere Cold Air Outbreaks Are More Likely to Be Severe during Weak Polar Vortex Conditions. *Commun. Earth Environ.* **2021**, *2*, 147. [[CrossRef](#)]
52. Hussain, H.A.; Hussain, S.; Khaliq, A.; Ashraf, U.; Anjum, S.A.; Men, S.; Wang, L. Chilling and Drought Stresses in Crop Plants: Implications, Cross Talk, and Potential Management Opportunities. *Front. Plant Sci.* **2018**, *9*, 393. [[CrossRef](#)]
53. Rizza, F.; Karsai, I.; Morcia, C.; Badeck, F.-W.; Terzi, V.; Pagani, D.; Kiss, T.; Stanca, A.M. Association between the Allele Compositions of Major Plant Developmental Genes and Frost Tolerance in Barley (*Hordeum Vulgare* L.) Germplasm of Different Origin. *Mol. Breed.* **2016**, *36*, 156. [[CrossRef](#)]
54. Current Map | U.S. Drought Monitor. Available online: <https://droughtmonitor.unl.edu/> (accessed on 6 March 2023).
55. Drought Reports—European Drought Observatory—JRC European Commission. Available online: <https://edo.jrc.ec.europa.eu/edov2/php/index.php?id=1051> (accessed on 6 March 2023).
56. Graph | U.S. Climate Extremes Index (CEI) | National Centers for Environmental Information (NCEI). Available online: <https://www.ncei.noaa.gov/access/monitoring/cei/graph/us/01-12/cei> (accessed on 6 March 2023).
57. Francis, A.J.; Vavrus, J.S.; Cohen, J. Amplified Arctic Warming and Mid-Latitude Weather: New Perspectives on Emerging Connections. *WIREs Clim. Change* **2017**, *8*, e474. [[CrossRef](#)]
58. Tao, F.; Zhang, Z.; Xiao, D.; Zhang, S.; Rötter, R.P.; Shi, W.; Liu, Y.; Wang, M.; Liu, F.; Zhang, H. Responses of Wheat Growth and Yield to Climate Change in Different Climate Zones of China, 1981–2009. *Agric. For. Meteorol.* **2014**, *189–190*, 91–104. [[CrossRef](#)]
59. Willick, I.R.; Tanino, K.K.; Gusta, L.V. The Impact of Global Climate Change on the Freezing Tolerance of Winter Cereals in Western Canada. *J. Agro. Crop Sci.* **2021**, *207*, 88–99. [[CrossRef](#)]

60. Chen, F.; He, J.; Jin, G.; Chen, Z.-H.; Dai, F. Identification of Novel microRNAs for Cold Deacclimation in Barley. *Plant Growth Regul.* **2020**, *92*, 389–400. [[CrossRef](#)]
61. Barlow, K.M.; Christy, B.P.; O’Leary, G.J.; Riffkin, P.A.; Nuttall, J.G. Simulating the Impact of Extreme Heat and Frost Events on Wheat Crop Production: A Review. *Field Crops Res.* **2015**, *171*, 109–119. [[CrossRef](#)]
62. Penfield, S.; Warner, S.; Wilkinson, L. Molecular Responses to Chilling in a Warming Climate and Their Impacts on Plant Reproductive Development and Yield. *J. Exp. Bot.* **2021**, *72*, 7374–7383. [[CrossRef](#)]
63. Trnka, M.; Rötter, R.P.; Ruiz-Ramos, M.; Kersebaum, K.C.; Olesen, J.E.; Žalud, Z.; Semenov, M.A. Adverse Weather Conditions for European Wheat Production Will Become More Frequent with Climate Change. *Nat. Clim. Change* **2014**, *4*, 637–643. [[CrossRef](#)]
64. Frederiks, T.M.; Christopher, J.T.; Sutherland, M.W.; Borrell, A.K. Post-Head-Emergence Frost in Wheat and Barley: Defining the Problem, Assessing the Damage, and Identifying Resistance. *EXBOTJ* **2015**, *66*, 3487–3498. [[CrossRef](#)]
65. Faranda, D.; Pascale, S.; Bulut, B. Persistent Anticyclonic Conditions and Climate Change Exacerbated the Exceptional 2022 European-Mediterranean Drought. *Environ. Res. Lett.* **2023**, *18*, 034030. [[CrossRef](#)]
66. Perkins-Kirkpatrick, S.E.; Lewis, S.C. Increasing Trends in Regional Heatwaves. *Nat. Commun.* **2020**, *11*, 3357. [[CrossRef](#)]
67. Asseng, S.; Ewert, F.; Martre, P.; Rötter, R.P.; Lobell, D.B.; Cammarano, D.; Kimball, B.A.; Ottman, M.J.; Wall, G.W.; White, J.W.; et al. Rising Temperatures Reduce Global Wheat Production. *Nat. Clim. Change* **2015**, *5*, 143–147. [[CrossRef](#)]
68. Neupane, D.; Adhikari, P.; Bhattarai, P.; Rana, B.; Ahmed, Z.; Sharma, U.; Adhikari, D. Does Climate Change Affect the Yield of the Top Three Cereals and Food Security in the World? *Earth* **2022**, *3*, 45–71. [[CrossRef](#)]
69. Gammans, M.; Mérel, P.; Ortiz-Bobea, A. Negative Impacts of Climate Change on Cereal Yields: Statistical Evidence from France. *Environ. Res. Lett.* **2017**, *12*, 054007. [[CrossRef](#)]
70. Cammarano, D.; Ceccarelli, S.; Grando, S.; Romagosa, I.; Benbelkacem, A.; Akar, T.; Al-Yassin, A.; Pecchioni, N.; Francia, E.; Ronga, D. The Impact of Climate Change on Barley Yield in the Mediterranean Basin. *Eur. J. Agron.* **2019**, *106*, 1–11. [[CrossRef](#)]
71. Dhillon, T.; Pearce, S.P.; Stockinger, E.J.; Distelfeld, A.; Li, C.; Knox, A.K.; Vashegyi, I.; Vágújfalvi, A.; Galiba, G.; Dubcovsky, J. Regulation of Freezing Tolerance and Flowering in Temperate Cereals: The *VRN-1* Connection. *Plant Physiol.* **2010**, *153*, 1846–1858. [[CrossRef](#)] [[PubMed](#)]
72. Kobayashi, F. Regulation by *Vrn-1*/*Fr-1* Chromosomal Intervals of CBF-Mediated *Cor/Lea* Gene Expression and Freezing Tolerance in Common Wheat. *J. Exp. Bot.* **2005**, *56*, 887–895. [[CrossRef](#)]
73. Szűcs, P.; Skinner, J.S.; Karsai, I.; Cuesta-Marcos, A.; Haggard, K.G.; Corey, A.E.; Chen, T.H.H.; Hayes, M.P. Validation of the *VRN-H2*/*VRN-H1* Epistatic Model in Barley Reveals That Intron Length Variation in *VRN-H1* May Account for a Continuum of Vernalization Sensitivity. *Mol. Genet. Genom.* **2007**, *277*, 249–261. [[CrossRef](#)]
74. Francia, E.; Rizza, F.; Cattivelli, L.; Stanca, A.M.; Galiba, G.; Tóth, B.; Hayes, P.M.; Skinner, J.S.; Pecchioni, N. Two Loci on Chromosome 5H Determine Low-Temperature Tolerance in a ‘Nure’ (Winter) × ‘Tremois’ (Spring) Barley Map. *Theor. Appl. Genet.* **2004**, *108*, 670–680. [[CrossRef](#)]
75. Vágújfalvi, A.; Aprile, A.; Miller, A.; Dubcovsky, J.; Delugu, G.; Galiba, G.; Cattivelli, L. The Expression of Several *Cbf* Genes at the *Fr-A2* Locus Is Linked to Frost Resistance in Wheat. *Mol. Genet. Genom.* **2005**, *274*, 506–514. [[CrossRef](#)]
76. Dong, C.; Ma, Y.; Zheng, D.; Wisniewski, M.; Cheng, Z.-M. Meta-Analysis of the Effect of Overexpression of Dehydration-Responsive Element Binding Family Genes on Temperature Stress Tolerance and Related Responses. *Front. Plant Sci.* **2018**, *9*, 713. [[CrossRef](#)]
77. Yang, Y.; Al-Baidhani, H.H.J.; Harris, J.; Riboni, M.; Li, Y.; Mazonka, I.; Bazanova, N.; Chirkova, L.; Sarfraz Hussain, S.; Hrmova, M.; et al. DREB/CBF Expression in Wheat and Barley Using the Stress-inducible Promoters of *HD-Zip 1* Genes: Impact on Plant Development, Stress Tolerance and Yield. *Plant Biotechnol. J.* **2020**, *18*, 829–844. [[CrossRef](#)] [[PubMed](#)]
78. Guo, J.; Ren, Y.; Tang, Z.; Shi, W.; Zhou, M. Characterization and Expression Profiling of the *ICE-CBF-COR* Genes in Wheat. *PeerJ* **2019**, *7*, e8190. [[CrossRef](#)] [[PubMed](#)]
79. Kopecká, R.; Kameniarová, M.; Černý, M.; Brzobohatý, B.; Novák, J. Abiotic Stress in Crop Production. *Int. J. Mol. Sci.* **2023**, *24*, 6603. [[CrossRef](#)] [[PubMed](#)]
80. Cramer, G.R.; Urano, K.; Delrot, S.; Pezzotti, M.; Shinozaki, K. Effects of Abiotic Stress on Plants: A Systems Biology Perspective. *BMC Plant Biol.* **2011**, *11*, 163. [[CrossRef](#)]
81. Ranty, B.; Aldon, D.; Cotelle, V.; Galaud, J.-P.; Thuleau, P.; Mazars, C. Calcium Sensors as Key Hubs in Plant Responses to Biotic and Abiotic Stresses. *Front. Plant Sci.* **2016**, *7*, 327. [[CrossRef](#)]
82. Jan, A.U.; Hadi, F.; Ahmad, A.; Rahman, K. Role of CBF/DREB Gene Expression in Abiotic Stress Tolerance. A Review. *Int. J. Hortic. Agric.* **2017**.
83. Rodríguez-Vázquez, R.; Carrieri, V. A Proteomic Approach to Abiotic and Biotic Stress in Barley: A Review. *Plant Mol. Biol. Rep.* **2023**. [[CrossRef](#)]
84. Mastrangelo, A.M.; Mare, C.; Mazzucotelli, E.; Francia, E.; Arru, L.; Di Fonzo, N.; Pecchioni, N.; Cattivelli, L. Genetic Bases of Resistance to Abiotic Stresses in Durum Wheat (*Triticum Turgidum* Ssp. *Durum*). In *Durum Wheat Breeding: Current Approaches and Future Strategies*; Food Products Press, An Imprint of The Haworth Press, Inc.: Binghamton, NY, USA, 2005; Volume 1, pp. 255–289.
85. Park, S.; Lee, C.; Doherty, C.J.; Gilmour, S.J.; Kim, Y.; Thomashow, M.F. Regulation of the Arabidopsis CBF Regulon by a Complex Low-temperature Regulatory Network. *Plant J.* **2015**, *82*, 193–207. [[CrossRef](#)]

86. Akhtar, M.; Jaiswal, A.; Taj, G.; Jaiswal, J.P.; Qureshi, M.I.; Singh, N.K. DREB1/CBF Transcription Factors: Their Structure, Function and Role in Abiotic Stress Tolerance in Plants. *J. Genet.* **2012**, *91*, 385–395. [[CrossRef](#)]
87. Heidarvand, L.; Maali Amiri, R. What Happens in Plant Molecular Responses to Cold Stress? *Acta Physiol. Plant* **2010**, *32*, 419–431. [[CrossRef](#)]
88. Choi, D.-W.; Zhu, B.; Close, T.J. The Barley (*Hordeum Vulgare* L.) Dehydrin Multigene Family: Sequences, Allele Types, Chromosome Assignments, and Expression Characteristics of 11 Dhn Genes of Cv Dicktoo. *Theor. Appl. Genet.* **1999**, *98*, 1234–1247. [[CrossRef](#)]
89. Ahmad, M.; Alabd, A.; Gao, Y.; Yu, W.; Jamil, W.; Wang, X.; Wei, J.; Ni, J.; Teng, Y.; Bai, S. Three Stress-Responsive NAC Transcription Factors, Pp-SNACs, Differentially and Synergistically Regulate Abiotic Stress in Pear. *Sci. Hortic.* **2022**, *305*, 111393. [[CrossRef](#)]
90. Ahres, M.; Gierczik, K.; Boldizsár, Á.; Vítámvás, P.; Galiba, G. Temperature and Light-Quality-Dependent Regulation of Freezing Tolerance in Barley. *Plants* **2020**, *9*, 83. [[CrossRef](#)] [[PubMed](#)]
91. Shi, Y.; Ding, Y.; Yang, S. Molecular Regulation of CBF Signaling in Cold Acclimation. *Trends Plant Sci.* **2018**, *23*, 623–637. [[CrossRef](#)]
92. Skinner, J.S.; von Zitzewitz, J.; Szűcs, P.; Marquez-Cedillo, L.; Filichkin, T.; Amundsen, K.; Stockinger, E.J.; Thomashow, M.F.; Chen, T.H.H.; Hayes, P.M. Structural, Functional, and Phylogenetic Characterization of a Large CBF Gene Family in Barley. *Plant Mol. Biol.* **2005**, *59*, 533–551. [[CrossRef](#)] [[PubMed](#)]
93. Stockinger, E.J.; Gilmour, S.J.; Thomashow, M.F. *Arabidopsis Thaliana* CBF1 Encodes an AP2 Domain-Containing Transcriptional Activator That Binds to the C-Repeat/DRE, a Cis-Acting DNA Regulatory Element That Stimulates Transcription in Response to Low Temperature and Water Deficit. *Proc. Natl. Acad. Sci. USA* **1997**, *94*, 1035–1040. [[CrossRef](#)] [[PubMed](#)]
94. Medina, J.; Bagues, M.; Terol, J.; Pérez-Alonso, M.; Salinas, J. The Arabidopsis CBF Gene Family Is Composed of Three Genes Encoding AP2 Domain-Containing Proteins Whose Expression Is Regulated by Low Temperature but Not by Abscisic Acid or Dehydration. *Plant Physiol.* **1999**, *119*, 463–470. [[CrossRef](#)]
95. Jaglo-Ottosen, K.R.; Gilmour, S.J.; Zarka, D.G.; Schabenberger, O.; Thomashow, M.F. *Arabidopsis* CBF1 Overexpression Induces COR Genes and Enhances Freezing Tolerance. *Science* **1998**, *280*, 104–106. [[CrossRef](#)]
96. Tondelli, A.; Francia, E.; Barabaschi, D.; Pasquariello, M.; Pecchioni, N. Inside the CBF Locus in Poaceae. *Plant Sci.* **2011**, *180*, 39–45. [[CrossRef](#)]
97. Welling, A.; Palva, E.T. Molecular Control of Cold Acclimation in Trees. *Physiol Plant* **2006**, *127*, 167–181. [[CrossRef](#)]
98. Li, W.; Chen, Y.; Ye, M.; Lu, H.; Wang, D.; Chen, Q. Evolutionary History of the C-Repeat Binding Factor/Dehydration-Responsive Element-Binding 1 (CBF/DREB1) Protein Family in 43 Plant Species and Characterization of CBF/DREB1 Proteins in *Solanum Tuberosum*. *BMC Evol. Biol.* **2020**, *20*, 142. [[CrossRef](#)] [[PubMed](#)]
99. Hu, Z.; Ban, Q.; Hao, J.; Zhu, X.; Cheng, Y.; Mao, J.; Lin, M.; Xia, E.; Li, Y. Genome-Wide Characterization of the C-Repeat Binding Factor (CBF) Gene Family Involved in the Response to Abiotic Stresses in Tea Plant (*Camellia Sinensis*). *Front. Plant Sci.* **2020**, *11*, 921. [[CrossRef](#)] [[PubMed](#)]
100. Cheng, H.; Cai, H.; Fu, H.; An, Z.; Fang, J.; Hu, Y.; Guo, D.; Huang, H. Functional Characterization of Hevea Brasiliensis CRT/DRE Binding Factor 1 Gene Revealed Regulation Potential in the CBF Pathway of Tropical Perennial Tree. *PLoS ONE* **2015**, *10*, e0137634. [[CrossRef](#)] [[PubMed](#)]
101. Qin, X.; Huang, T.; Lu, C.; Dang, P.; Zhang, M.; Guan, X.; Wen, P.; Wang, T.-C.; Chen, Y.; Siddique, K.H.M. Benefits and Limitations of Straw Mulching and Incorporation on Maize Yield, Water Use Efficiency, and Nitrogen Use Efficiency. *Agric. Water Manag.* **2021**, *256*, 107128. [[CrossRef](#)]
102. Dubouzet, J.G.; Sakuma, Y.; Ito, Y.; Kasuga, M.; Dubouzet, E.G.; Miura, S.; Seki, M.; Shinozaki, K.; Yamaguchi-Shinozaki, K. *OsDREB* Genes in Rice, *Oryza Sativa* L., Encode Transcription Activators That Function in Drought-, High-Salt- and Cold-Responsive Gene Expression: DREB Transcription Activators in Rice. *Plant J.* **2003**, *33*, 751–763. [[CrossRef](#)]
103. Nakano, T.; Suzuki, K.; Fujimura, T.; Shinshi, H. Genome-Wide Analysis of the ERF Gene Family in Arabidopsis and Rice. *Plant Physiol.* **2006**, *140*, 411–432. [[CrossRef](#)]
104. Navarro, M.; Marque, G.; Ajax, C.; Keller, G.; Borges, J.P.; Marque, C.; Teulière, C. Complementary Regulation of Four Eucalyptus CBF Genes under Various Cold Conditions. *J. Exp. Bot.* **2009**, *60*, 2713–2724. [[CrossRef](#)]
105. Galiba, G.; Vágújfalvi, A.; Li, C.; Soltész, A.; Dubcovsky, J. Regulatory Genes Involved in the Determination of Frost Tolerance in Temperate Cereals. *Plant Sci.* **2009**, *176*, 12–19. [[CrossRef](#)]
106. Campoli, C.; Matus-Cádiz, M.A.; Pozniak, C.J.; Cattivelli, L.; Fowler, D.B. Comparative Expression of Cbf Genes in the Triticeae under Different Acclimation Induction Temperatures. *Mol. Genet. Genom.* **2009**, *282*, 141–152. [[CrossRef](#)]
107. Badawi, M.; Danyluk, J.; Boucho, B.; Houde, M.; Sarhan, F. The CBF Gene Family in Hexaploid Wheat and Its Relationship to the Phylogenetic Complexity of Cereal CBFs. *Mol. Genet. Genom.* **2007**, *277*, 533–554. [[CrossRef](#)]
108. Francia, E.; Barabaschi, D.; Tondelli, A.; Laidò, G.; Rizza, F.; Stanca, A.M.; Busconi, M.; Fogher, C.; Stockinger, E.J.; Pecchioni, N. Fine Mapping of a HvCBF Gene Cluster at the Frost Resistance Locus Fr-H2 in Barley. *Theor. Appl. Genet.* **2007**, *115*, 1083–1091. [[CrossRef](#)] [[PubMed](#)]
109. Hayes, P.M.; Blake, T.; Chen, T.H.H.; Tragoonrung, S.; Chen, F.; Pan, A.; Liu, B. Quantitative Trait Loci on Barley (*Hordeum Vulgare* L.) Chromosome 7 Associated with Components of Winterhardiness. *Genome* **1993**, *36*, 66–71. [[CrossRef](#)] [[PubMed](#)]

110. Vágújfalvi, A.; Galiba, G.; Cattivelli, L.; Dubcovsky, J. The Cold-Regulated Transcriptional Activator Cbf3 Is Linked to the Frost-Tolerance Locus Fr-A2 on Wheat Chromosome 5A. *Mol. Gen. Genom.* **2003**, *269*, 60–67. [[CrossRef](#)]
111. Bâga, M.; Bahrani, H.; Larsen, J.; Hackauf, B.; Graf, R.J.; Laroche, A.; Chibbar, R.N. Association Mapping of Autumn-Seeded Rye (*Secale Cereale* L.) Reveals Genetic Linkages between Genes Controlling Winter Hardiness and Plant Development. *Sci. Rep.* **2022**, *12*, 5793. [[CrossRef](#)]
112. Galiba, G.; Quarrie, S.A.; Sutka, J.; Morgounov, A.; Snape, J.W. RFLP Mapping of the Vernalization (Vrn1) and Frost Resistance (Frl) Genes on Chromosome 5A of Wheat. *Theor. Appl. Genet.* **1995**, *90*, 1174–1179. [[CrossRef](#)] [[PubMed](#)]
113. Amasino, R. Vernalization, Competence, and the Epigenetic Memory of Winter. *Plant Cell* **2004**, *16*, 2553–2559. [[CrossRef](#)] [[PubMed](#)]
114. Rabanus-Wallace, M.T.; Hackauf, B.; Mascher, M.; Lux, T.; Wicker, T.; Gundlach, H.; Baez, M.; Houben, A.; Mayer, K.F.X.; Guo, L.; et al. Chromosome-Scale Genome Assembly Provides Insights into Rye Biology, Evolution and Agronomic Potential. *Nat. Genet.* **2021**, *53*, 564–573. [[CrossRef](#)]
115. The International Wheat Genome Sequencing Consortium (IWGSC); Appels, R.; Eversole, K.; Stein, N.; Feuillet, C.; Keller, B.; Rogers, J.; Pozniak, C.J.; Choulet, F.; Distelfeld, A.; et al. Shifting the Limits in Wheat Research and Breeding Using a Fully Annotated Reference Genome. *Science* **2018**, *361*, eaar7191. [[CrossRef](#)]
116. Pasquariello, M.; Barabaschi, D.; Himmelbach, A.; Steuernagel, B.; Ariyadasa, R.; Stein, N.; Gandolfi, F.; Tenedini, E.; Bernardis, I.; Tagliafico, E.; et al. The Barley Frost Resistance-H2 Locus. *Funct. Integr. Genom.* **2014**, *14*, 85–100. [[CrossRef](#)]
117. Mareri, L.; Milc, J.; Laviano, L.; Buti, M.; Vautrin, S.; Cauet, S.; Mascagni, F.; Natali, L.; Cavallini, A.; Bergès, H.; et al. Influence of CNV on Transcript Levels of HvCBF Genes at Fr-H2 Locus Revealed by Resequencing in Resistant Barley Cv. ‘Nure’ and Expression Analysis. *Plant Sci.* **2020**, *290*, 110305. [[CrossRef](#)]
118. Miller, A.K.; Galiba, G.; Dubcovsky, J. A Cluster of 11 CBF Transcription Factors Is Located at the Frost Tolerance Locus Fr-A m 2 in Triticum Monococcum. *Mol. Genet. Genom.* **2006**, *275*, 193–203. [[CrossRef](#)] [[PubMed](#)]
119. Knox, A.K.; Li, C.; Vágújfalvi, A.; Galiba, G.; Stockinger, E.J.; Dubcovsky, J. Identification of Candidate CBF Genes for the Frost Tolerance Locus Fr-A m 2 in Triticum Monococcum. *Plant Mol. Biol.* **2008**, *67*, 257–270. [[CrossRef](#)] [[PubMed](#)]
120. Mohseni, S.; Che, H.; Djillali, Z.; Dumont, E.; Nankeu, J.; Danyluk, J. Wheat CBF Gene Family: Identification of Polymorphisms in the CBF Coding Sequence. *Genome* **2012**, *55*, 865–881. [[CrossRef](#)] [[PubMed](#)]
121. Knox, A.K.; Dhillon, T.; Cheng, H.; Tondelli, A.; Pecchioni, N.; Stockinger, E.J. CBF Gene Copy Number Variation at Frost Resistance-2 Is Associated with Levels of Freezing Tolerance in Temperate-Climate Cereals. *Theor. Appl. Genet.* **2010**, *121*, 21–35. [[CrossRef](#)] [[PubMed](#)]
122. Francia, E.; Morcia, C.; Pasquariello, M.; Mazzamurro, V.; Milc, J.A.; Rizza, F.; Terzi, V.; Pecchioni, N. Copy Number Variation at the HvCBF4–HvCBF2 Genomic Segment Is a Major Component of Frost Resistance in Barley. *Plant Mol. Biol.* **2016**, *92*, 161–175. [[CrossRef](#)]
123. Sieber, A.-N.; Longin, C.F.H.; Leiser, W.L.; Würschum, T. Copy Number Variation of CBF-A14 at the Fr-A2 Locus Determines Frost Tolerance in Winter Durum Wheat. *Theor. Appl. Genet.* **2016**, *129*, 1087–1097. [[CrossRef](#)]
124. Zhu, J.; Pearce, S.; Burke, A.; See, D.R.; Skinner, D.Z.; Dubcovsky, J.; Garland-Campbell, K. Copy Number and Haplotype Variation at the VRN-A1 and Central FR-A2 Loci Are Associated with Frost Tolerance in Hexaploid Wheat. *Theor. Appl. Genet.* **2014**, *127*, 1183–1197. [[CrossRef](#)]
125. Hüner, N.P.A.; Dahal, K.; Bode, R.; Kurepin, L.V.; Ivanov, A.G. Photosynthetic Acclimation, Vernalization, Crop Productivity and ‘the Grand Design of Photosynthesis’. *J. Plant Physiol.* **2016**, *203*, 29–43. [[CrossRef](#)]
126. Kosová, K.; Vitámvás, P.; Prášil, I.T. Wheat and Barley Dehydrins under Cold, Drought, and Salinity “What Can LEA-II Proteins Tell Us about Plant Stress Response? *Front. Plant Sci.* **2014**, *5*, 343. [[CrossRef](#)]
127. Hüner, N.; Öquist, G.; Hurry, V.M.; Krol, M.; Falk, S.; Griffith, M. Photosynthesis, Photoinhibition and Low Temperature Acclimation in Cold Tolerant Plants. *Photosynth. Res.* **1993**, *37*, 19–39. [[CrossRef](#)]
128. Fiust, A.; Rapacz, M. Downregulation of Three Novel Candidate Genes Is Important for Freezing Tolerance of Field and Laboratory Cold Acclimated Barley. *J. Plant Physiol.* **2020**, *244*, 153049. [[CrossRef](#)] [[PubMed](#)]
129. Hüner, N.P.A.; Bode, R.; Dahal, K.; Busch, F.A.; Possmayer, M.; Szyszka, B.; Rosso, D.; Ensminger, I.; Krol, M.; Ivanov, A.G.; et al. Shedding Some Light on Cold Acclimation, Cold Adaptation, and Phenotypic Plasticity. *Botany* **2013**, *91*, 127–136. [[CrossRef](#)]
130. Shi, Y.; Ding, Y.; Yang, S. Cold Signal Transduction and Its Interplay with Phytohormones During Cold Acclimation. *Plant Cell Physiol.* **2015**, *56*, 7–15. [[CrossRef](#)]
131. Kashyap, P.; Deswal, R. Phytohormones Regulating the Master Regulators of CBF Dependent Cold Stress Signaling Pathway. In *Genetic Enhancement of Crops for Tolerance to Abiotic Stress: Mechanisms and Approaches, Vol. 1*; Rajpal, V.R., Sehgal, D., Kumar, A., Raina, S.N., Eds.; Sustainable Development and Biodiversity; Springer International Publishing: Cham, Switzerland, 2019; Volume 20, pp. 249–264, ISBN 978-3-319-91955-3.
132. Galiba, G.; Tóth, B. Cold Stress. In *Encyclopedia of Applied Plant Sciences*; Elsevier: Amsterdam, The Netherlands, 2017; pp. 1–7, ISBN 978-0-12-394808-3.
133. Maibam, P.; Nawkar, G.; Park, J.; Sahi, V.; Lee, S.; Kang, C. The Influence of Light Quality, Circadian Rhythm, and Photoperiod on the CBF-Mediated Freezing Tolerance. *Int. J. Mol. Sci.* **2013**, *14*, 11527–11543. [[CrossRef](#)] [[PubMed](#)]
134. Kurepin, L.; Dahal, K.; Savitch, L.; Singh, J.; Bode, R.; Ivanov, A.; Hurry, V.; Hüner, N. Role of CBFs as Integrators of Chloroplast Redox, Phytochrome and Plant Hormone Signaling during Cold Acclimation. *Int. J. Mol. Sci.* **2013**, *14*, 12729–12763. [[CrossRef](#)]

135. Vaultier, M.-N.; Cantrel, C.; Vergnolle, C.; Justin, A.-M.; Demandre, C.; Benhassaine-Kesri, G.; Çiçek, D.; Zachowski, A.; Ruelland, E. Desaturase Mutants Reveal That Membrane Rigidification Acts as a Cold Perception Mechanism Upstream of the Diacylglycerol Kinase Pathway in *Arabidopsis* Cells. *FEBS Lett.* **2006**, *580*, 4218–4223. [[CrossRef](#)] [[PubMed](#)]
136. Xue, G.-P. The DNA-Binding Activity of an AP2 Transcriptional Activator HvCBF2 Involved in Regulation of Low-Temperature Responsive Genes in Barley Is Modulated by Temperature. *Plant J.* **2003**, *33*, 373–383. [[CrossRef](#)]
137. Jin, Y.; Zhai, S.; Wang, W.; Ding, X.; Guo, Z.; Bai, L.; Wang, S. Identification of Genes from the ICE–CBF–COR Pathway under Cold Stress in Aegilops–Triticum Composite Group and the Evolution Analysis with Those from Triticeae. *Physiol. Mol. Biol. Plants* **2018**, *24*, 211–229. [[CrossRef](#)]
138. Fowler, D.B. Cold Acclimation Threshold Induction Temperatures in Cereals. *Crop Sci.* **2008**, *48*, 1147. [[CrossRef](#)]
139. Rizza, F.; Pagani, D.; Gut, M.; Prášil, I.T.; Lago, C.; Tondelli, A.; Orrù, L.; Mazzucotelli, E.; Francia, E.; Badeck, F.-W.; et al. Diversity in the Response to Low Temperature in Representative Barley Genotypes Cultivated in Europe. *Crop Sci.* **2011**, *51*, 2759–2779. [[CrossRef](#)]
140. Crosatti, C.; Marè, C.; Mazzucotelli, E.; Belloni, S.; Barilli, S.; Bassi, R.; Dubcovsky, J.; Galiba, G.; Stanca, A.M.; Cattivelli, L. Genetic Analysis of the Expression of the Cold-Regulated Gene *Cor14b*: A Way toward the Identification of Components of the Cold Response Signal Transduction in Triticeae. *Can. J. Bot.* **2003**, *81*, 1162–1167. [[CrossRef](#)]
141. Cha, J.-K.; O'Connor, K.; Alahmad, S.; Lee, J.-H.; Dinglasan, E.; Park, H.; Lee, S.-M.; Hirs, D.; Kwon, S.-W.; Kwon, Y.; et al. Speed Vernalization to Accelerate Generation Advance in Winter Cereal Crops. *Mol. Plant* **2022**, *15*, 1300–1309. [[CrossRef](#)] [[PubMed](#)]
142. Xu, S.; Chong, K. Remembering Winter through Vernalisation. *Nat. Plants* **2018**, *4*, 997–1009. [[CrossRef](#)] [[PubMed](#)]
143. Pecchioni, N.; Kosová, K.; Vítámvás, P.; Prášil, I.T.; Milc, J.A.; Francia, E.; Gulyás, Z.; Kocsy, G.; Galiba, G. Genomics of Low-Temperature Tolerance for an Increased Sustainability of Wheat and Barley Production. In *Genomics of Plant Genetic Resources*; Tuberosa, R., Graner, A., Frison, E., Eds.; Springer: Dordrecht, The Netherlands, 2014; pp. 149–183. ISBN 978-94-007-7574-9.
144. Miura, K.; Furumoto, T. Cold Signaling and Cold Response in Plants. *Int. J. Mol. Sci.* **2013**, *14*, 5312–5337. [[CrossRef](#)]
145. Wang, X.; Wu, D.; Yang, Q.; Zeng, J.; Jin, G.; Chen, Z.-H.; Zhang, G.; Dai, F. Identification of Mild Freezing Shock Response Pathways in Barley Based on Transcriptome Profiling. *Front. Plant Sci.* **2016**, *7*. [[CrossRef](#)]
146. Badawi, M.; Reddy, Y.V.; Agharbaoui, Z.; Tominaga, Y.; Danyluk, J.; Sarhan, F.; Houde, M. Structure and Functional Analysis of Wheat ICE (Inducer of CBF Expression) Genes. *Plant Cell Physiol.* **2008**, *49*, 1237–1249. [[CrossRef](#)]
147. Chinnusamy, V.; Ohta, M.; Kanrar, S.; Lee, B.; Hong, X.; Agarwal, M.; Zhu, J.-K. ICE1: A Regulator of Cold-Induced Transcriptome and Freezing Tolerance in *Arabidopsis*. *Genes Dev.* **2003**, *17*, 1043–1054. [[CrossRef](#)]
148. Gierczik, K.; Novák, A.; Ahres, M.; Székely, A.; Soltész, A.; Boldizsár, Á.; Gulyás, Z.; Kalapos, B.; Monostori, I.; Kozma-Bognár, L.; et al. Circadian and Light Regulated Expression of CBFs and Their Upstream Signalling Genes in Barley. *Int. J. Mol. Sci.* **2017**, *18*, 1828. [[CrossRef](#)]
149. Dhillon, T.; Morohashi, K.; Stockinger, E.J. CBF2A–CBF4B Genomic Region Copy Numbers alongside the Circadian Clock Play Key Regulatory Mechanisms Driving Expression of FR-H2 CBFs. *Plant Mol. Biol.* **2017**, *94*, 333–347. [[CrossRef](#)]
150. Lee, C.-M.; Thomashow, M.F. Photoperiodic Regulation of the C-Repeat Binding Factor (CBF) Cold Acclimation Pathway and Freezing Tolerance in *Arabidopsis Thaliana*. *Proc. Natl. Acad. Sci. USA* **2012**, *109*, 15054–15059. [[CrossRef](#)]
151. Liu, T.L.; Newton, L.; Liu, M.-J.; Shiu, S.-H.; Farré, E.M. A G-Box-Like Motif Is Necessary for Transcriptional Regulation by Circadian Pseudo-Response Regulators in *Arabidopsis*. *Plant Physiol.* **2016**, *170*, 528–539. [[CrossRef](#)] [[PubMed](#)]
152. Ahres, M.; Pálmai, T.; Kovács, T.; Kovács, L.; Lacey, J.; Vankova, R.; Galiba, G.; Borbély, P. The Effect of White Light Spectrum Modifications by Excess of Blue Light on the Frost Tolerance, Lipid- and Hormone Composition of Barley in the Early Pre-Hardening Phase. *Plants* **2022**, *12*, 40. [[CrossRef](#)] [[PubMed](#)]
153. Ahres, M.; Pálmai, T.; Gierczik, K.; Dobrev, P.; Vanková, R.; Galiba, G. The Impact of Far-Red Light Supplementation on Hormonal Responses to Cold Acclimation in Barley. *Biomolecules* **2021**, *11*, 450. [[CrossRef](#)]
154. Monostori, I.; Heilmann, M.; Kocsy, G.; Rakszegi, M.; Ahres, M.; Altenbach, S.B.; Szalai, G.; Pál, M.; Toldi, D.; Simon-Sarkadi, L.; et al. LED Lighting—Modification of Growth, Metabolism, Yield and Flour Composition in Wheat by Spectral Quality and Intensity. *Front. Plant Sci.* **2018**, *9*, 605. [[CrossRef](#)] [[PubMed](#)]
155. Novák, A.; Boldizsár, Á.; Gierczik, K.; Vágújfalvi, A.; Ádám, É.; Kozma-Bognár, L.; Galiba, G. Light and Temperature Signalling at the Level of CBF14 Gene Expression in Wheat and Barley. *Plant Mol. Biol. Rep.* **2017**, *35*, 399–408. [[CrossRef](#)] [[PubMed](#)]
156. Kovács, T.; Ahres, M.; Pálmai, T.; Kovács, L.; Uemura, M.; Crosatti, C.; Galiba, G. Decreased R:FR Ratio in Incident White Light Affects the Composition of Barley Leaf Lipidome and Freezing Tolerance in a Temperature-Dependent Manner. *Int. J. Mol. Sci.* **2020**, *21*, 7557. [[CrossRef](#)]
157. Cao, Y.; Hu, G.; Zhuang, M.; Yin, J.; Wang, X. Molecular Cloning and Functional Characterization of TaIRI9 Gene in Wheat (*Triticum Aestivum* L.). *Gene* **2021**, *791*, 145694. [[CrossRef](#)]
158. Distelfeld, A.; Li, C.; Dubcovsky, J. Regulation of Flowering in Temperate Cereals. *Curr. Opin. Plant Biol.* **2009**, *12*, 178–184. [[CrossRef](#)]
159. Trevaskis, B.; Hemming, M.N.; Dennis, E.S.; Peacock, W.J. The Molecular Basis of Vernalization-Induced Flowering in Cereals. *Trends Plant Sci.* **2007**, *12*, 352–357. [[CrossRef](#)]
160. Karsai, I.; Szűcs, P.; Mészáros, K.; Filichkina, T.; Hayes, P.M.; Skinner, J.S.; Láng, L.; Bedő, Z. The Vrn-H2 Locus Is a Major Determinant of Flowering Time in a Facultative × Winter Growth Habit Barley (*Hordeum Vulgare* L.) Mapping Population. *Theor. Appl. Genet.* **2005**, *110*, 1458–1466. [[CrossRef](#)]

161. Fernández-Calleja, M.; Casas, A.M.; Igartua, E. Major Flowering Time Genes of Barley: Allelic Diversity, Effects, and Comparison with Wheat. *Theor. Appl. Genet.* **2021**, *134*, 1867–1897. [[CrossRef](#)] [[PubMed](#)]
162. Faure, S.; Higgins, J.; Turner, A.; Laurie, D.A. The FLOWERING LOCUS T-Like Gene Family in Barley (*Hordeum Vulgare*). *Genetics* **2007**, *176*, 599–609. [[CrossRef](#)] [[PubMed](#)]
163. Yan, L.; Fu, D.; Li, C.; Blechl, A.; Tranquilli, G.; Bonafede, M.; Sanchez, A.; Valarik, M.; Yasuda, S.; Dubcovsky, J. The Wheat and Barley Vernalization Gene *VRN3* Is an Orthologue of *FT*. *Proc. Natl. Acad. Sci. USA* **2006**, *103*, 19581–19586. [[CrossRef](#)]
164. Monteagudo, A.; Igartua, E.; Contreras-Moreira, B.; Gracia, M.P.; Ramos, J.; Karsai, I.; Casas, A.M. Fine-Tuning of the Flowering Time Control in Winter Barley: The Importance of *HvOS2* and *HvVRN2* in Non-Inductive Conditions. *BMC Plant Biol.* **2019**, *19*, 113. [[CrossRef](#)] [[PubMed](#)]
165. Hemming, M.N.; Fieg, S.; James Peacock, W.; Dennis, E.S.; Trevaskis, B. Regions Associated with Repression of the Barley (*Hordeum Vulgare*) *VERNALIZATION1* Gene Are Not Required for Cold Induction. *Mol. Genet. Genom.* **2009**, *282*, 107–117. [[CrossRef](#)]
166. Cuesta-Marcos, A.; Szűcs, P.; Close, T.J.; Filichkin, T.; Muehlbauer, G.J.; Smith, K.P.; Hayes, P.M. Genome-Wide SNPs and Re-Sequencing of Growth Habit and Inflorescence Genes in Barley: Implications for Association Mapping in Germplasm Arrays Varying in Size and Structure. *BMC Genom.* **2010**, *11*, 707. [[CrossRef](#)] [[PubMed](#)]
167. Cuesta-Marcos, A.; Muñoz-Amatriáin, M.; Filichkin, T.; Karsai, I.; Trevaskis, B.; Yasuda, S.; Hayes, P.; Sato, K. The Relationships between Development and Low Temperature Tolerance in Barley Near Isogenic Lines Differing for Flowering Behavior. *Plant Cell Physiol.* **2015**, *56*, 2312–2324. [[CrossRef](#)]
168. Maeda, A.E.; Nakamichi, N. Plant Clock Modifications for Adapting Flowering Time to Local Environments. *Plant Physiol.* **2022**, *190*, 952–967. [[CrossRef](#)]
169. Shcherban, A.B.; Strygina, K.V.; Salina, E.A. *VRN-1* Gene- Associated Prerequisites of Spring Growth Habit in Wild Tetraploid Wheat T. *Dicoccoides* and the Diploid A Genome Species. *BMC Plant Biol.* **2015**, *15*, 94. [[CrossRef](#)]
170. Tóth, B.; Galiba, G.; Fehér, E.; Sutka, J.; Snape, J.W. Mapping Genes Affecting Flowering Time and Frost Resistance on Chromosome 5B of Wheat. *Theor. Appl. Genet.* **2003**, *107*, 509–514. [[CrossRef](#)]
171. Todorovska, E.G.; Kolev, S.; Christov, N.K.; Balint, A.; Kocsy, G.; Vágújfalvi, A.; Galiba, G. The Expression of *CBF* Genes at *Fr-2* Locus Is Associated with the Level of Frost Tolerance in Bulgarian Winter Wheat Cultivars. *Biotechnol. Biotechnol. Equip.* **2014**, *28*, 392–401. [[CrossRef](#)] [[PubMed](#)]
172. Stockinger, E.J.; Skinner, J.S.; Gardner, K.G.; Francia, E.; Pecchioni, N. Expression Levels of Barley *Cbf* Genes at the *Frost Resistance—H2* Locus Are Dependent upon Alleles at *Fr-H1* and *Fr-H2*: Expression Levels of Barley *Cbf* Genes. *Plant J.* **2007**, *51*, 308–321. [[CrossRef](#)] [[PubMed](#)]
173. Deng, W.; Casao, M.C.; Wang, P.; Sato, K.; Hayes, P.M.; Finnegan, E.J.; Trevaskis, B. Direct Links between the Vernalization Response and Other Key Traits of Cereal Crops. *Nat. Commun.* **2015**, *6*, 5882. [[CrossRef](#)] [[PubMed](#)]
174. Jayakodi, M.; Padmarasu, S.; Haberer, G.; Bonthala, V.S.; Gundlach, H.; Monat, C.; Lux, T.; Kamal, N.; Lang, D.; Himmelbach, A.; et al. The Barley Pan-Genome Reveals the Hidden Legacy of Mutation Breeding. *Nature* **2020**, *588*, 284–289. [[CrossRef](#)] [[PubMed](#)]
175. Galiba, G.; Stockinger, E.J.; Francia, E.; Milc, J.A.; Kocsy, G.; Pecchioni, N. Freezing Tolerance in the Triticeae. In *Translational Genomics for Crop Breeding*; Wiley Blackwell: Hoboken, NJ, USA, 2013; Volume 2.
176. Visioni, A.; Tondelli, A.; Francia, E.; Pswarayi, A.; Malosetti, M.; Russell, J.; Thomas, W.; Waugh, R.; Pecchioni, N.; Romagosa, I.; et al. Genome-Wide Association Mapping of Frost Tolerance in Barley (*Hordeum Vulgare* L.). *BMC Genom.* **2013**, *14*, 424. [[CrossRef](#)] [[PubMed](#)]
177. Stein, N.; Muehlbauer, G.J. (Eds.) *The Barley Genome*; Compendium of Plant Genomes; Springer International Publishing: Cham, Switzerland, 2018; ISBN 978-3-319-92527-1.
178. Fricano, A.; Rizza, F.; Faccioli, P.; Pagani, D.; Pavan, P.; Stella, A.; Rossini, L.; Piffanelli, P.; Cattivelli, L. Genetic Variants of *HvCbf14* Are Statistically Associated with Frost Tolerance in a European Germplasm Collection of *Hordeum Vulgare*. *Theor. Appl. Genet.* **2009**, *119*, 1335–1348. [[CrossRef](#)]
179. Guerra, D.; Morcia, C.; Badeck, F.; Rizza, F.; Delbono, S.; Francia, E.; Milc, J.A.; Monostori, I.; Galiba, G.; Cattivelli, L.; et al. Extensive Allele Mining Discovers Novel Genetic Diversity in the Loci Controlling Frost Tolerance in Barley. *Theor. Appl. Genet.* **2022**, *135*, 553–569. [[CrossRef](#)]
180. Novák, A.; Boldizsár, Á.; Ádám, É.; Kozma-Bognár, L.; Majláth, I.; Bága, M.; Tóth, B.; Chibbar, R.; Galiba, G. Light-Quality and Temperature-Dependent *CBF14* Gene Expression Modulates Freezing Tolerance in Cereals. *EXBOTJ* **2016**, *67*, 1285–1295. [[CrossRef](#)]
181. Francia, E.; Pecchioni, N.; Policriti, A.; Scalabrin, S. CNV and Structural Variation in Plants: Prospects of NGS Approaches. In *Advances in the Understanding of Biological Sciences Using Next Generation Sequencing (NGS) Approaches*; Sablok, G., Kumar, S., Ueno, S., Kuo, J., Varotto, C., Eds.; Springer International Publishing: Cham, Switzerland, 2015; pp. 211–232. ISBN 978-3-319-17156-2.
182. Cook, D.E.; Lee, T.G.; Guo, X.; Melito, S.; Wang, K.; Bayless, A.M.; Wang, J.; Hughes, T.J.; Willis, D.K.; Clemente, T.E.; et al. Copy Number Variation of Multiple Genes at *Rhg1* Mediates Nematode Resistance in Soybean. *Science* **2012**, *338*, 1206–1209. [[CrossRef](#)]
183. Maron, L.G.; Guimarães, C.T.; Kirst, M.; Albert, P.S.; Birchler, J.A.; Bradbury, P.J.; Buckler, E.S.; Coluccio, A.E.; Danilova, T.V.; Kudrna, D.; et al. Aluminum Tolerance in Maize Is Associated with Higher *MATE1* Gene Copy Number. *Proc. Natl. Acad. Sci. USA* **2013**, *110*, 5241–5246. [[CrossRef](#)]



184. Yin, M.; Zhang, S.; Du, X.; Mateo, R.G.; Guo, W.; Li, A.; Wang, Z.; Wu, S.; Chen, J.; Liu, J.; et al. Genomic Analysis of *Medicago Ruthenica* Provides Insights into Its Tolerance to Abiotic Stress and Demographic History. *Mol. Ecol. Resour.* **2021**, *21*, 1641–1657. [[CrossRef](#)] [[PubMed](#)]
185. Dolatabadian, A.; Patel, D.A.; Edwards, D.; Batley, J. Copy Number Variation and Disease Resistance in Plants. *Theor. Appl. Genet.* **2017**, *130*, 2479–2490. [[CrossRef](#)] [[PubMed](#)]
186. Sutton, T.; Baumann, U.; Hayes, J.; Collins, N.C.; Shi, B.-J.; Schnurbusch, T.; Hay, A.; Mayo, G.; Pallotta, M.; Tester, M.; et al. Boron-Toxicity Tolerance in Barley Arising from Efflux Transporter Amplification. *Science* **2007**, *318*, 1446–1449. [[CrossRef](#)] [[PubMed](#)]
187. Jeknić, Z.; Pillman, K.A.; Dhillon, T.; Skinner, J.S.; Veisz, O.; Cuesta-Marcos, A.; Hayes, P.M.; Jacobs, A.K.; Chen, T.H.H.; Stockinger, E.J. Hv-CBF2A Overexpression in Barley Accelerates COR Gene Transcript Accumulation and Acquisition of Freezing Tolerance during Cold Acclimation. *Plant Mol. Biol.* **2014**, *84*, 67–82. [[CrossRef](#)]
188. Kopeć, P.; Rapacz, M.; Arora, R. Post-Translational Activation of CBF for Inducing Freezing Tolerance. *Trends Plant Sci.* **2022**, *27*, 415–417. [[CrossRef](#)]
189. Vashegyi, I.; Marozsán-Tóth, Z.; Galiba, G.; Dobrev, P.I.; Vankova, R.; Tóth, B. Cold Response of Dedifferentiated Barley Cells at the Gene Expression, Hormone Composition, and Freezing Tolerance Levels: Studies on Callus Cultures. *Mol. Biotechnol.* **2013**, *54*, 337–349. [[CrossRef](#)]
190. Oghihara, Y.; Takumi, S.; Handa, H. (Eds.) *Advances in Wheat Genetics: From Genome to Field*; Springer: Tokyo, Japan, 2015; ISBN 978-4-431-55674-9.
191. Maccaferri, M.; Harris, N.S.; Twardziok, S.O.; Pasam, R.K.; Gundlach, H.; Spannagl, M.; Ormanbekova, D.; Lux, T.; Prade, V.M.; Milner, S.G.; et al. Durum Wheat Genome Highlights Past Domestication Signatures and Future Improvement Targets. *Nat. Genet.* **2019**, *51*, 885–895. [[CrossRef](#)]
192. Smith, D.B.; Flavell, R.B. Characterisation of the Wheat Genome by Renaturation Kinetics. *Chromosoma* **1975**, *50*. [[CrossRef](#)]
193. Pearce, S.; Zhu, J.; Boldizsár, Á.; Vágújfalvi, A.; Burke, A.; Garland-Campbell, K.; Galiba, G.; Dubcovsky, J. Large Deletions in the CBF Gene Cluster at the Fr-B2 Locus Are Associated with Reduced Frost Tolerance in Wheat. *Theor. Appl. Genet.* **2013**, *126*, 2683–2697. [[CrossRef](#)]
194. Bolouri, P.; Haliloğlu, K.; Mohammadi, S.A.; Türkoğlu, A.; İlhan, E.; Niedbała, G.; Szulc, P.; Niazian, M. Identification of Novel QTLs Associated with Frost Tolerance in Winter Wheat (*Triticum Aestivum* L.). *Plants* **2023**, *12*, 1641. [[CrossRef](#)]
195. Li, L.; Han, C.; Yang, J.; Tian, Z.; Jiang, R.; Yang, F.; Jiao, K.; Qi, M.; Liu, L.; Zhang, B.; et al. Comprehensive Transcriptome Analysis of Responses during Cold Stress in Wheat (*Triticum Aestivum* L.). *Genes* **2023**, *14*, 844. [[CrossRef](#)] [[PubMed](#)]
196. Fowler, D.B.; Dvorak, J.; Gusta, L.v. Comparative Cold Hardiness of Several Triticum Species and Secale Cereale L.1. *Crop Sci.* **1977**, *17*, 941–943. [[CrossRef](#)]
197. Limin, A.E.; Fowler, D.B. Cold Hardiness of Some Relatives of Hexaploid Wheat. *Can. J. Bot.* **1981**, *59*, 572–573. [[CrossRef](#)]
198. Băga, M.; Chodaparambil, S.V.; Limin, A.E.; Pecar, M.; Fowler, D.B.; Chibbar, R.N. Identification of Quantitative Trait Loci and Associated Candidate Genes for Low-Temperature Tolerance in Cold-Hardy Winter Wheat. *Funct. Integr. Genom.* **2006**, *7*, 53–68. [[CrossRef](#)]
199. Saripalli, G.; Adhikari, L.; Amos, C.; Kibriya, A.; Ahmed, H.I.; Heuberger, M.; Raupp, J.; Athiyannan, N.; Wicker, T.; Abrouk, M.; et al. Integration of Genetic and Genomics Resources in Einkorn Wheat Enables Precision Mapping of Important Traits. *Commun. Biol.* **2023**, *6*, 835. [[CrossRef](#)]
200. Dhillon, T.; Stockinger, E.J. Cbf14 Copy Number Variation in the A, B, and D Genomes of Diploid and Polyploid Wheat. *Theor. Appl. Genet.* **2013**, *126*, 2777–2789. [[CrossRef](#)]
201. Würschum, T.; Longin, H.F.C.; Hahn, V.; Tucker, M.R.; Leiser, W.L. Copy Number Variations of CBF Genes at the Fr-A2 Locus Are Essential Components of Winter Hardiness in Wheat. *Plant J.* **2017**, *89*, 764–773. [[CrossRef](#)]
202. Babben, S.; Schliephake, E.; Janitza, P.; Berner, T.; Keilwagen, J.; Koch, M.; Arana-Ceballos, F.A.; Templer, S.E.; Chesnokov, Y.; Pshenichnikova, T.; et al. Association Genetics Studies on Frost Tolerance in Wheat (*Triticum Aestivum* L.) Reveal New Highly Conserved Amino Acid Substitutions in CBF-A3, CBF-A15, VRN3 and PPD1 Genes. *BMC Genom.* **2018**, *19*, 409. [[CrossRef](#)]
203. Wang, J.; Sun, L.; Zhang, H.; Jiao, B.; Wang, H.; Zhou, S. Transcriptome Analysis during Vernalization in Wheat (*Triticum Aestivum* L.). *BMC Genom. Data* **2023**, *24*, 43. [[CrossRef](#)]
204. Pan, Y.; Li, Y.; Liu, Z.; Zou, J.; Li, Q. Computational Genomics Insights into Cold Acclimation in Wheat. *Front. Genet.* **2022**, *13*, 1015673. [[CrossRef](#)]
205. Singh, K.; Singh, S.P.; Yadav, M.K. Physio-Biochemical Assessment and CBF Genes Expression Analysis in Wheat under Dehydration Condition. *Biologia* **2022**, *77*, 1851–1860. [[CrossRef](#)]
206. Zheng, X.; Shi, M.; Wang, J.; Yang, N.; Wang, K.; Xi, J.; Wu, C.; Xi, T.; Zheng, J.; Zhang, J. Isoform Sequencing Provides Insight Into Freezing Response of Common Wheat (*Triticum Aestivum* L.). *Front. Genet.* **2020**, *11*, 462. [[CrossRef](#)] [[PubMed](#)]
207. Jung, W.J.; Seo, Y.W. Identification of Novel C-Repeat Binding Factor (CBF) Genes in Rye (*Secale Cereale* L.) and Expression Studies. *Gene* **2019**, *684*, 82–94. [[CrossRef](#)] [[PubMed](#)]
208. Alptekin, B.; Langridge, P.; Budak, H. Abiotic Stress miRNomes in the Triticeae. *Funct. Integr. Genom.* **2017**, *17*, 145–170. [[CrossRef](#)]
209. Mago, R.; Miah, H.; Lawrence, G.J.; Wellings, C.R.; Spielmeyer, W.; Bariana, H.S.; McIntosh, R.A.; Pryor, A.J.; Ellis, J.G. High-Resolution Mapping and Mutation Analysis Separate the Rust Resistance Genes Sr31, Lr26 and Yr9 on the Short Arm of Rye Chromosome 1. *Theor. Appl. Genet.* **2005**, *112*, 41–50. [[CrossRef](#)]

210. Bartoš, J.; Paux, E.; Kofler, R.; Havránková, M.; Kopecký, D.; Suchánková, P.; Šafář, J.; Šimková, H.; Town, C.D.; Lelley, T.; et al. A First Survey of the Rye (*Secale Cereale*) Genome Composition through BAC End Sequencing of the Short Arm of Chromosome 1R. *BMC Plant Biol* **2008**, *8*, 95. [\[CrossRef\]](#)
211. Flavell, R.B.; Bennett, M.D.; Smith, J.B.; Smith, D.B. Genome Size and the Proportion of Repeated Nucleotide Sequence DNA in Plants. *Biochem. Genet.* **1974**, *12*, 257–269. [\[CrossRef\]](#)
212. Martis, M.M.; Zhou, R.; Haseneyer, G.; Schmutzer, T.; Vrána, J.; Kubaláková, M.; König, S.; Kugler, K.G.; Scholz, U.; Hackauf, B.; et al. Reticulate Evolution of the Rye Genome. *Plant Cell* **2013**, *25*, 3685–3698. [\[CrossRef\]](#)
213. Li, G.; Wang, L.; Yang, J.; He, H.; Jin, H.; Li, X.; Ren, T.; Ren, Z.; Li, F.; Han, X.; et al. A High-Quality Genome Assembly Highlights Rye Genomic Characteristics and Agronomically Important Genes. *Nat. Genet.* **2021**, *53*, 574–584. [\[CrossRef\]](#)
214. Li, Y.; Böck, A.; Haseneyer, G.; Korzun, V.; Wilde, P.; Schön, C.-C.; Ankerst, D.P.; Bauer, E. Association Analysis of Frost Tolerance in Rye Using Candidate Genes and Phenotypic Data from Controlled, Semi-Controlled, and Field Phenotyping Platforms. *BMC Plant Biol.* **2011**, *11*, 146. [\[CrossRef\]](#)
215. Wu, Y.; Li, X.; Zhang, J.; Zhao, H.; Tan, S.; Xu, W.; Pan, J.; Yang, F.; Pi, E. ERF Subfamily Transcription Factors and Their Function in Plant Responses to Abiotic Stresses. *Front. Plant Sci.* **2022**, *13*, 1042084. [\[CrossRef\]](#) [\[PubMed\]](#)
216. Haake, V.; Cook, D.; Riechmann, J.; Pineda, O.; Thomashow, M.F.; Zhang, J.Z. Transcription Factor CBF4 Is a Regulator of Drought Adaptation in Arabidopsis. *Plant Physiol.* **2002**, *130*, 639–648. [\[CrossRef\]](#) [\[PubMed\]](#)
217. Hrmova, M.; Hussain, S.S. Plant Transcription Factors Involved in Drought and Associated Stresses. *Int. J. Mol. Sci.* **2021**, *22*, 5662. [\[CrossRef\]](#) [\[PubMed\]](#)
218. Muhammad Aslam, M.; Waseem, M.; Jakada, B.H.; Okal, E.J.; Lei, Z.; Saqib, H.S.A.; Yuan, W.; Xu, W.; Zhang, Q. Mechanisms of Abscisic Acid-Mediated Drought Stress Responses in Plants. *Int. J. Mol. Sci.* **2022**, *23*, 1084. [\[CrossRef\]](#) [\[PubMed\]](#)
219. Tuteja, N. Abscisic Acid and Abiotic Stress Signaling. *Plant Signal. Behav.* **2007**, *2*, 135–138. [\[CrossRef\]](#)
220. Kaur, G.; Asthir, B. Molecular Responses to Drought Stress in Plants. *Biol. Plant.* **2017**, *61*, 201–209. [\[CrossRef\]](#)
221. Uno, Y.; Furihata, T.; Abe, H.; Yoshida, R.; Shinozaki, K.; Yamaguchi-Shinozaki, K. Arabidopsis Basic Leucine Zipper Transcription Factors Involved in an Abscisic Acid-Dependent Signal Transduction Pathway under Drought and High-Salinity Conditions. *Proc. Natl. Acad. Sci. USA* **2000**, *97*, 11632–11637. [\[CrossRef\]](#)
222. Salehi-Lisar, S.Y.; Bakhshayeshan-Agdam, H. Drought Stress in Plants: Causes, Consequences, and Tolerance. In *Drought Stress Tolerance in Plants, Vol 1*; Hossain, M.A., Wani, S.H., Bhattacharjee, S., Burritt, D.J., Tran, L.-S.P., Eds.; Springer International Publishing: Cham, Switzerland, 2016; pp. 1–16. ISBN 978-3-319-28897-0.
223. Xu, F.; Liu, Z.; Xie, H.; Zhu, J.; Zhang, J.; Kraus, J.; Blaschnig, T.; Nehls, R.; Wang, H. Increased Drought Tolerance through the Suppression of ESKMO1 Gene and Overexpression of CBF-Related Genes in Arabidopsis. *PLoS ONE* **2014**, *9*, e106509. [\[CrossRef\]](#)
224. Javadi, S.M.; Shobbar, Z.-S.; Ebrahimi, A.; Shahbazi, M. New Insights on Key Genes Involved in Drought Stress Response of Barley: Gene Networks Reconstruction, Hub, and Promoter Analysis. *J. Genet. Eng. Biotechnol.* **2021**, *19*, 2. [\[CrossRef\]](#)
225. Sallam, A.; Alqudah, A.M.; Dawood, M.F.A.; Baenziger, P.S.; Börner, A. Drought Stress Tolerance in Wheat and Barley: Advances in Physiology, Breeding and Genetics Research. *Int. J. Mol. Sci.* **2019**, *20*, 3137. [\[CrossRef\]](#)
226. Manschadi, A.M.; Hammer, G.L.; Christopher, J.T.; deVoil, P. Genotypic Variation in Seedling Root Architectural Traits and Implications for Drought Adaptation in Wheat (*Triticum Aestivum* L.). *Plant Soil* **2008**, *303*, 115–129. [\[CrossRef\]](#)
227. Canè, M.A.; Maccaferri, M.; Nazemi, G.; Salvi, S.; Francia, R.; Colalongo, C.; Tuberosa, R. Association Mapping for Root Architectural Traits in Durum Wheat Seedlings as Related to Agronomic Performance. *Mol. Breed.* **2014**, *34*, 1629–1645. [\[CrossRef\]](#) [\[PubMed\]](#)
228. Zhou, M.Q.; Shen, C.; Wu, L.H.; Tang, K.X.; Lin, J. CBF-Dependent Signaling Pathway: A Key Responder to Low Temperature Stress in Plants. *Crit. Rev. Biotechnol.* **2011**, *31*, 186–192. [\[CrossRef\]](#) [\[PubMed\]](#)
229. Ye, L.; Wang, Y.; Long, L.; Luo, H.; Shen, Q.; Broughton, S.; Wu, D.; Shu, X.; Dai, F.; Li, C.; et al. A Trypsin Family Protein Gene Controls Tillering and Leaf Shape in Barley. *Plant Physiol.* **2019**, *181*, 701–713. [\[CrossRef\]](#)
230. Hussien, A.; Tavakol, E.; Horner, D.S.; Muñoz-Amatriaín, M.; Muehlbauer, G.J.; Rossini, L. Genetics of Tillering in Rice and Barley. *Plant Genome* **2014**, *7*. [\[CrossRef\]](#)
231. Riaz, A.; Alqudah, A.M.; Kanwal, F.; Pillen, K.; Ye, L.; Dai, F.; Zhang, G. Advances in Studies on Physiological and Molecular Regulation of Barley Tillering. *J. Integr. Agric.* **2022**, *22*, 1–13. [\[CrossRef\]](#)
232. Shang, Q.; Wang, Y.; Tang, H.; Sui, N.; Zhang, X.; Wang, F. Genetic, Hormonal, and Environmental Control of Tillering in Wheat. *Crop J.* **2021**, *9*, 986–991. [\[CrossRef\]](#)
233. Wang, F.; Guo, Z.; Li, H.; Wang, M.; Onac, E.; Zhou, J.; Xia, X.; Shi, K.; Yu, J.; Zhou, Y. Phytochrome A and B Function Antagonistically to Regulate Cold Tolerance via Abscisic Acid-Dependent Jasmonate Signaling. *Plant Physiol.* **2016**, *170*, 459–471. [\[CrossRef\]](#)
234. Iehisa, J.C.M.; Takumi, S. Variation in Abscisic Acid Responsiveness of *Aegilops Tauschii* and Hexaploid Wheat Synthetics Due to the D-Genome Diversity. *Genes Genet. Syst.* **2012**, *87*, 9–18. [\[CrossRef\]](#)
235. Achard, P.; Renou, J.-P.; Berthomé, R.; Harberd, N.P.; Genschik, P. Plant DELLAs Restrain Growth and Promote Survival of Adversity by Reducing the Levels of Reactive Oxygen Species. *Curr. Biol.* **2008**, *18*, 656–660. [\[CrossRef\]](#)
236. Achard, P.; Gong, F.; Cheminant, S.; Alioua, M.; Hedden, P.; Genschik, P. The Cold-Inducible CBF1 Factor-Dependent Signaling Pathway Modulates the Accumulation of the Growth-Repressing DELLA Proteins via Its Effect on Gibberellin Metabolism. *Plant Cell* **2008**, *20*, 2117–2129. [\[CrossRef\]](#) [\[PubMed\]](#)

237. Ergon, Å. Optimal Regulation of the Balance between Productivity and Overwintering of Perennial Grasses in a Warmer Climate. *Agronomy* **2017**, *7*, 19. [[CrossRef](#)]
238. Sinha, D.; Maurya, A.K.; Abdi, G.; Majeed, M.; Agarwal, R.; Mukherjee, R.; Ganguly, S.; Aziz, R.; Bhatia, M.; Majgaonkar, A.; et al. Integrated Genomic Selection for Accelerating Breeding Programs of Climate-Smart Cereals. *Genes* **2023**, *14*, 1484. [[CrossRef](#)] [[PubMed](#)]
239. Kaur, B.; Sandhu, K.S.; Kamal, R.; Kaur, K.; Singh, J.; Röder, M.S.; Muqaddasi, Q.H. Omics for the Improvement of Abiotic, Biotic, and Agronomic Traits in Major Cereal Crops: Applications, Challenges, and Prospects. *Plants* **2021**, *10*, 1989. [[CrossRef](#)] [[PubMed](#)]
240. Watson, A.; Ghosh, S.; Williams, M.J.; Cuddy, W.S.; Simmonds, J.; Rey, M.-D.; Asyraf Md Hatta, M.; Hinchliffe, A.; Steed, A.; Reynolds, D.; et al. Speed Breeding Is a Powerful Tool to Accelerate Crop Research and Breeding. *Nat. Plants* **2018**, *4*, 23–29. [[CrossRef](#)] [[PubMed](#)]
241. Forster, B.P.; Ellis, R.P.; Thomas, W.T.B.; Newton, A.C.; Tuberosa, R.; This, D.; El-Enein, R.A.; Bahri, M.H.; Salem, M.B. The Development and Application of Molecular Markers for Abiotic Stress Tolerance in Barley. *J. Exp. Bot.* **2000**, *51*, 19–27. [[CrossRef](#)]
242. Leng, P.; Lübberstedt, T.; Xu, M. Genomics-Assisted Breeding—A Revolutionary Strategy for Crop Improvement. *J. Integr. Agric.* **2017**, *16*, 2674–2685. [[CrossRef](#)]
243. Bhatta, M.; Sandro, P.; Smith, M.R.; Delaney, O.; Voss-Fels, K.P.; Gutierrez, L.; Hickey, L.T. Need for Speed: Manipulating Plant Growth to Accelerate Breeding Cycles. *Curr. Opin. Plant Biol.* **2021**, *60*, 101986. [[CrossRef](#)]
244. Kumar, M.; Prusty, M.R.; Pandey, M.K.; Singh, P.K.; Bohra, A.; Guo, B.; Varshney, R.K. Application of CRISPR/Cas9-Mediated Gene Editing for Abiotic Stress Management in Crop Plants. *Front. Plant Sci.* **2023**, *14*, 1157678. [[CrossRef](#)]
245. Bevan, M.W.; Uauy, C.; Wulff, B.B.H.; Zhou, J.; Krasileva, K.; Clark, M.D. Genomic Innovation for Crop Improvement. *Nature* **2017**, *543*, 346–354. [[CrossRef](#)]
246. Lorenz, A.J.; Hamblin, M.T.; Jannink, J.-L. Performance of Single Nucleotide Polymorphisms versus Haplotypes for Genome-Wide Association Analysis in Barley. *PLoS ONE* **2010**, *5*, e14079. [[CrossRef](#)] [[PubMed](#)]
247. Voss-Fels, K.P.; Robinson, H.; Mudge, S.R.; Richard, C.; Newman, S.; Wittkop, B.; Stahl, A.; Friedt, W.; Frisch, M.; Gabur, I.; et al. VERNALIZATION1 Modulates Root System Architecture in Wheat and Barley. *Mol. Plant* **2018**, *11*, 226–229. [[CrossRef](#)] [[PubMed](#)]
248. Crossa, J.; Pérez-Rodríguez, P.; Cuevas, J.; Montesinos-López, O.; Jarquín, D.; de los Campos, G.; Burgueño, J.; González-Camacho, J.M.; Pérez-Elizalde, S.; Beyene, Y.; et al. Genomic Selection in Plant Breeding: Methods, Models, and Perspectives. *Trends Plant Sci.* **2017**, *22*, 961–975. [[CrossRef](#)] [[PubMed](#)]
249. Lozada, D.N.; Mason, R.E.; Sukumaran, S.; Dreisigacker, S. Validation of Grain Yield QTLs from Soft Winter Wheat Using a CIMMYT Spring Wheat Panel. *Crop Sci.* **2018**, *58*, 1964–1971. [[CrossRef](#)]
250. Sun, C.; Hu, H.; Cheng, Y.; Yang, X.; Qiao, Q.; Wang, C.; Zhang, L.; Chen, D.; Zhao, S.; Dong, Z.; et al. Genomics-assisted Breeding: The Next-generation Wheat Breeding Era. *Plant Breed.* **2023**, *142*, 259–268. [[CrossRef](#)]
251. Stockinger, E.J. The Breeding of Winter-Hardy Malting Barley. *Plants* **2021**, *10*, 1415. [[CrossRef](#)]
252. Soleimani, V.D.; Baum, B.R.; Johnson, D.A. Genetic Diversity among Barley Cultivars Assessed by Sequence-Specific Amplification Polymorphism. *Theor. Appl. Genet.* **2005**, *110*, 1290–1300. [[CrossRef](#)]
253. Fisk, S.P.; Cuesta-Marcos, A.; Cistué, L.; Russell, J.; Smith, K.P.; Baenziger, S.; Bedo, Z.; Corey, A.; Filichkin, T.; Karsai, I.; et al. FR-H3: A New QTL to Assist in the Development of Fall-Sown Barley with Superior Low Temperature Tolerance. *Theor. Appl. Genet.* **2013**, *126*, 335–347. [[CrossRef](#)]
254. Matthies, I.E.; Malosetti, M.; Röder, M.S.; Van Eeuwijk, F. Genome-Wide Association Mapping for Kernel and Malting Quality Traits Using Historical European Barley Records. *PLoS ONE* **2014**, *9*, e110046. [[CrossRef](#)]
255. Iglesias, A.; Quiroga, S.; Moneo, M.; Garrote, L. From Climate Change Impacts to the Development of Adaptation Strategies: Challenges for Agriculture in Europe. *Clim. Change* **2012**, *112*, 143–168. [[CrossRef](#)]
256. Eagles, H.A.; Hyles, J.; Wilson, J.; Cane, K.; Forrest, K.L.; Hayden, M.J.; Ramm, K.; Trevaskis, B. A Linked SNP Marker to Genotype Fr-B2 in Wheat. *Crop Pasture Sci.* **2018**, *69*, 859. [[CrossRef](#)]
257. Miedaner, T.; Korzun, V.; Bauer, E. Chapter 15—Genomics-Based Hybrid Rye Breeding. In *Applications of Genetic and Genomic Research in Cereals*; Miedaner, T., Korzun, V., Eds.; Woodhead Publishing Series in Food Science, Technology and Nutrition; Woodhead Publishing: Sawston, UK, 2019; pp. 329–348, ISBN 978-0-08-102163-7.
258. Wilde, P.; Miedaner, T. Hybrid Rye Breeding. In *The Rye Genome*; Rabanus-Wallace, M.T., Stein, N., Eds.; Compendium of Plant Genomes; Springer International Publishing: Cham, Switzerland, 2021; pp. 13–41, ISBN 978-3-030-83383-1.
259. Erath, W.; Bauer, E.; Fowler, D.B.; Gordillo, A.; Korzun, V.; Ponomareva, M.; Schmidt, M.; Schmiedchen, B.; Wilde, P.; Schön, C.-C. Exploring New Alleles for Frost Tolerance in Winter Rye. *Theor. Appl. Genet.* **2017**, *130*, 2151–2164. [[CrossRef](#)] [[PubMed](#)]
260. Driedonks, N.; Rieu, I.; Vriezen, W.H. Breeding for Plant Heat Tolerance at Vegetative and Reproductive Stages. *Plant Reprod.* **2016**, *29*, 67–79. [[CrossRef](#)] [[PubMed](#)]
261. Jiang, W.; Bikard, D.; Cox, D.; Zhang, F.; Marraffini, L.A. RNA-Guided Editing of Bacterial Genomes Using CRISPR-Cas Systems. *Nat. Biotechnol.* **2013**, *31*, 233–239. [[CrossRef](#)]
262. Chen, K.; Wang, Y.; Zhang, R.; Zhang, H.; Gao, C. CRISPR/Cas Genome Editing and Precision Plant Breeding in Agriculture. *Annu. Rev. Plant Biol.* **2019**, *70*, 667–697. [[CrossRef](#)]
263. Jain, M. Function Genomics of Abiotic Stress Tolerance in Plants: A CRISPR Approach. *Front. Plant Sci.* **2015**, *6*, 375. [[CrossRef](#)]

264. Li, P.; Li, Y.-J.; Zhang, F.-J.; Zhang, G.-Z.; Jiang, X.-Y.; Yu, H.-M.; Hou, B.-K. The Arabidopsis UDP-Glycosyltransferases UGT79B2 and UGT79B3, Contribute to Cold, Salt and Drought Stress Tolerance via Modulating Anthocyanin Accumulation. *Plant J.* **2017**, *89*, 85–103. [[CrossRef](#)]
265. Wang, L.; Chen, L.; Li, R.; Zhao, R.; Yang, M.; Sheng, J.; Shen, L. Reduced Drought Tolerance by CRISPR/Cas9-Mediated SIMAPK3 Mutagenesis in Tomato Plants. *J. Agric. Food Chem.* **2017**, *65*, 8674–8682. [[CrossRef](#)]
266. Lv, K.; Li, J.; Zhao, K.; Chen, S.; Nie, J.; Zhang, W.; Liu, G.; Wei, H. Overexpression of an AP2/ERF Family Gene, BpERF13, in Birch Enhances Cold Tolerance through Upregulating CBF Genes and Mitigating Reactive Oxygen Species. *Plant Sci.* **2020**, *292*, 110375. [[CrossRef](#)]
267. Kim, D.; Alptekin, B.; Budak, H. CRISPR/Cas9 Genome Editing in Wheat. *Funct. Integr. Genom.* **2018**, *18*, 31–41. [[CrossRef](#)]
268. Zhao, C.; Zhang, Z.; Xie, S.; Si, T.; Li, Y.; Zhu, J.-K. Mutational Evidence for the Critical Role of CBF Transcription Factors in Cold Acclimation in Arabidopsis. *Plant Physiol.* **2016**, *171*, 2744–2759. [[CrossRef](#)] [[PubMed](#)]

**Disclaimer/Publisher’s Note:** The statements, opinions and data contained in all publications are solely those of the individual author(s) and contributor(s) and not of MDPI and/or the editor(s). MDPI and/or the editor(s) disclaim responsibility for any injury to people or property resulting from any ideas, methods, instructions or products referred to in the content.