

Modeling the role of bacteriophage in the control of cholera outbreaks

Mark A. Jensen*, Shah M. Faruque†, John J. Mekalanos^{‡§}, and Bruce R. Levin*

*Department of Biology, Emory University, Atlanta, GA 30332; †Molecular Genetics Laboratory, International Centre for Diarrhoeal Disease Research Bangladesh, Dhaka-1212, Bangladesh; and ‡Department of Microbiology and Molecular Genetics, Harvard Medical School, Boston, MA 02115

Contributed by John J. Mekalanos, January 7, 2006

Cholera is a waterborne diarrheal disease that continues to plague the developing world. Individuals become infected by consuming water from reservoirs contaminated by virulent strains of the bacterium *Vibrio cholerae*. Epidemiological and environmental observations of a cholera outbreak in Dhaka, Bangladesh, suggest that lytic bacteriophage specific for *V. cholerae* may limit the severity of cholera outbreaks by killing bacteria present in the reservoir and in infected individuals. To quantify this idea and generate testable hypotheses, we analyzed a mathematical model that combines the epidemiology of cholera with the population dynamics of the bacteria and phage. Under biologically reasonable conditions, we found that vibriophage can ameliorate cholera outbreaks. If phage predation limits bacterial density before an outbreak, a transient reduction in phage density can disrupt that limitation, and subsequent bacterial growth can initiate a cholera outbreak. The severity of the outbreak depends on the density of phage remaining in the reservoir. If the outbreak is initiated instead by a rise in bacterial density, the introduction of phage can reduce the severity of the outbreak and promote its decline. In both situations, the magnitude of the phage effect depends mainly on vibrio growth and phage mortality rates; the lower the rates, the greater the effect. Our analysis also suggests that either bacteria in the environmental reservoir are hyperinfectious or most victims ingest bacteria amplified in food or drinking water contaminated by environmental water carrying few viable *V. cholerae*. Our theoretical results make a number of empirically testable predictions.

Vibrio cholerae | epidemiology

Cholera, a waterborne gastroenteric infection, remains a significant threat to public health in the developing world. The disease in its severest form causes copious diarrhea lasting from 3 to 7 days. Death from dehydration is typical in the absence of treatment. Pathogenic serotypes of the bacterium *Vibrio cholerae*, expressing cholera toxin encoded by a lysogenic bacteriophage (1), are responsible for the majority of cases. *V. cholerae* and other members of this bacterial genus naturally colonize lakes, rivers, and estuaries (2, 3); local outbreaks are precipitated and prolonged by contamination of local water supplies in areas of poor sanitation. Disease transmission usually occurs through ingestion of contaminated water or feces rather than through casual human–human contact.

Outbreaks of cholera occur cyclically, usually twice per year in endemic areas, and the intensity of these outbreaks varies over longer periods. Extrinsic factors, such as large-scale weather cycles (e.g., the El Niño–Southern Oscillation), and intrinsic factors such as postinfection immune periods have been shown to correlate in time with components of the epidemic cycle (4–6). Recently, Faruque *et al.* (7) proposed that lytic bacteriophage predation on pathogenic vibrio may be an important extrinsic factor influencing the epidemic cycle on short time scales and may act to modify the duration and severity of cholera outbreaks. In support of this interpretation, they reported longitudinal observations of cholera cases and environmental vibrio and phage densities during a local cholera outbreak in Dhaka, Bangladesh (Fig. 1). These data in-

cluded cholera incidence, concentrations of the responsible *V. cholerae* strain (streptomycin-resistant O1 serotype), and a strain-specific lytic phage (JSF4) in the stool of hospitalized patients and in nearby water bodies. Their study was unique, in that the outbreak could be attributed to a single *V. cholerae* clone, the density of which could be readily monitored in the environment by its resistance to streptomycin. Disease incidence (inferred from hospitalizations) and reservoir bacterial concentrations rose and fell together. The density of JSF4 phage in the reservoir and the patient also waxed and waned with the outbreak.

On the basis of these population dynamic observations, Faruque *et al.* (7) suggested that infections are caused by ingestion of vibrio deriving from a common reservoir, in which bacteria and phage also reproduce and interact independently of the human population. First, transient environmental conditions set the stage for both a reduction of phage and a bloom of vibrio in the reservoir. As a consequence of the increase in the density of virulent *V. cholerae* in the reservoir, humans become infected and begin to shed increasing numbers of bacteria into the reservoir, further elevating bacterial density and exacerbating the outbreak. Next, phage production is renewed in the reservoir. Phage replicate on the increasing numbers of bacteria in both the reservoir and infected individuals. Decline in bacterial density ultimately results from increasing phage predation, returning reservoir bacterial populations to pre-outbreak levels and ending the outbreak. The rate of reduction of bacterial density presumably is faster than it would be if the reduction were solely the consequence of the decline in the numbers of susceptible individuals. Faruque *et al.* (7) stress the assumption that large numbers of phage might be generated within infected individuals and shed into the reservoir, and that this “amplification” may be critical component of phage-modulated cholera epidemics.

Although the observed changes in bacterial and phage densities are qualitatively consistent with this hypothesis, these dynamics may also be incidental to the epidemic process. For example, the decline in bacterial concentration could be entirely due to immune-mediated recovery or death of infected individuals. The consequent reduction of bacteria numbers in the effluent might fully account for the decline in disease incidence and density of phage preying on these bacteria. In this interpretation, the outbreak drives the changes in phage populations, rather than the reverse.

In an effort to evaluate the potential importance of phage predation to the epidemic course of cholera, we have developed a mathematical model incorporating both the population dynamics of the bacteria and phage and the epidemiology of cholera (Fig. 2). Our model is based on the conceptual model presented in ref. 7 and extends and modifies existing models of the epidemiology of cholera (8, 9) to allow interaction between populations of bacteria and phage. We explore the conditions under which phage can impact the epidemic course. In our numerical analysis of the properties of this model, we give particular consideration to the parameter conditions under which the data obtained in the studies

Conflict of interest statement: No conflicts declared.

[§]To whom correspondence should be addressed. E-mail: jmekalanos@hms.harvard.edu.

© 2006 by The National Academy of Sciences of the USA

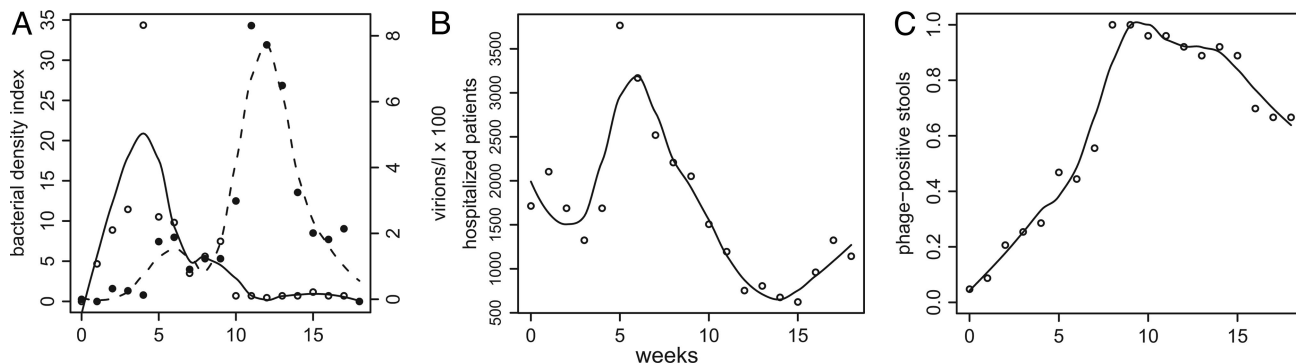


Fig. 1. Epidemic and microorganism data from ref. 7. (A) Environmental bacterial density index and phage densities. (B) Numbers of hospitalized cholera patients. (C) Estimated proportion of phage-positive infected patients. Lines are less-smoothed fits (24) to the data, provided for visual convenience.

of Faruque *et al.* (7) can be recovered and are consistent with those estimated for the interactions between bacteria and phage. We discuss the implications of our theoretical analysis for empirical tests of hypotheses about the role of lytic phage in the cyclic behavior of cholera outbreaks.

Results

Bacteria-Phage Dynamics: Resource vs. Phage Control. If the bacteria have a positive net growth rate ($m > 0$) in the reservoir, there are three equilibrium states for the bacteria and phage populations (see *Supporting Text*, which is published as supporting information on the PNAS web site, for details). The first, where bacteria and phage densities are both zero, is always unstable. That is, the system will drive small increases in both bacteria and phage densities to one of the other equilibria, for which either (i) only bacteria persist, or (ii) bacteria and phage coexist. Stability of these equilibria depends on the composite parameter $\phi = K_v \beta \gamma / \omega$.

One interpretation of ϕ is as the basic reproductive number of the phage “epidemic” in the bacterial population; a single infected cell introduced to a naive equilibrium population will be responsible for ϕ new “infections.” If $\phi < 1$, bacterial densities tend to the carrying

capacity K_v , and phage densities decay to zero. We will refer to this situation as “resource control.” If $\phi > 1$, bacterial density tends to $K_v / \phi < K_v$, and phage density tends to a nonzero equilibrium, coexisting with the bacteria. We refer to this as “phage control.”

The conceptual model (7) supposes a preexisting balance between bacteria and phage, upset by a transient loss of phage at the start of an epidemic. In our treatment, this is equivalent to an outbreak induced by phage instability, in the context of phage control ($\phi > 1$). We also considered resource control ($\phi < 1$) and asked to what extent introduced phage would ameliorate an epidemic induced by a bacterial bloom. Below, we show that the two situations result in different outbreak dynamics.

Resource Control: Bloom-Induced Outbreaks. We consider an example of bloom-induced outbreak dynamics in Fig. 3, with phage present and absent. Bacterial density quickly drops to carrying capacity in both cases, but the presence of phage speeds this process, reducing the peak and duration of the outbreak. Phage densities peak within a couple of days, and microbial densities return to equilibrium by ≈ 2 weeks. These dynamics are much faster than those reported for reservoir densities in the Dhaka outbreak (7). For this example, we chose $\phi = 2/3$, which implies a carrying capacity $K_v = 2.5 \times 10^6 - 3.8 \times 10^7$ cells per liter over the experimental range of the phage decay rate ω .

The magnitude of the epidemic, as measured by the number of cases above the expected endemic number (the “excess cases”), is

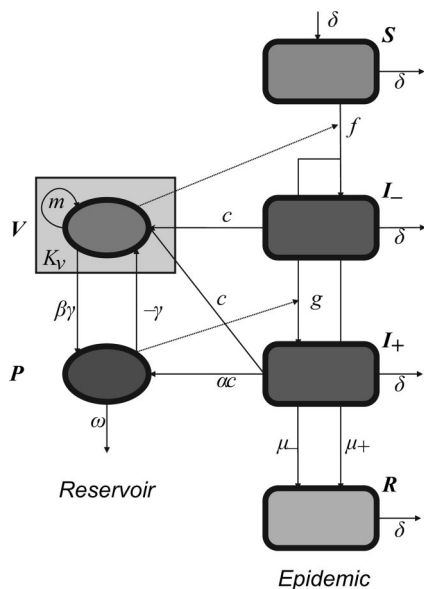


Fig. 2. Flow diagram for cholera and phage model. Compartments: S, susceptible individuals; I_- , infected with *V. cholerae*; I_+ , infected with *V. cholerae* and phage; R, recovered/dead; V, reservoir bacterial density; P, reservoir phage density. See text for detailed description and Table 1 for parameter definitions.

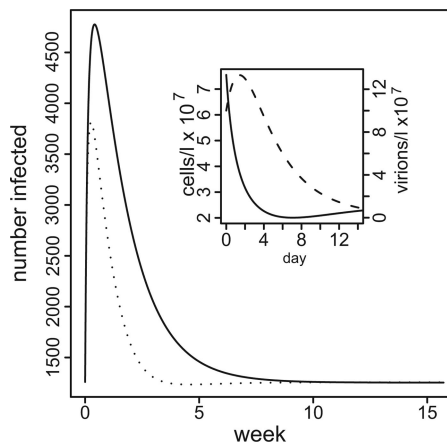


Fig. 3. Epidemic curves, with and without phage, for bloom-induced epidemics. y axis, number of disease cases; x axis, time in weeks; solid line, no phage present; dotted line, phage-moderated epidemic, initial phage density 10^6 virions per liter. (Inset) Bacteria and phage density over time. Other parameters: initial bacterial density, $5 \times K_v$ ($K_v = 2.5 \times 10^6$ cells per liter), $m = 0.3$, $\omega = 0.525$, $k = 4 \times 10^7$, $l = 2.1 \times 10^7$, $\alpha = 1$, $\pi = 0.1$, $\mu_- = \mu_+ = 0.1$, $\phi = 0.67$, $\delta \sim 10^{-4}$, $a = 7$.

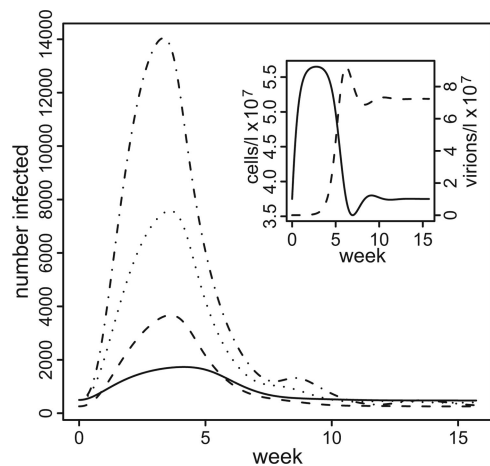


Fig. 4. Epidemic curves, epidemics induced by phage instability. Initial phage density was set to zero; phage are provided by a small input from phage-infected individuals. *y* axis, number of disease cases; *x* axis, time in weeks; ϕ (ω , *a*), solid line, 1.5 (0.525, 7); dashed line, 2.0 (0.394, 7); dotted line, 3.0 (0.263, 5); dot-dashed line, 5.0 (0.158, 3). (*Inset*) Bacteria and phage densities over time, $\phi = 1.5$, $\delta \sim 5 \times 10^{-5}$. Other parameters as in Fig. 3.

inversely related to the bacterial growth rate and directly related to the magnitude of the bloom. For example, in the phage-free situation for the low growth rate of 0.3 per d, 8,000 excess cases would develop if the bloom is 10 times the carrying capacity, or 2.5×10^7 cells per liter. However, if the growth rate is 0.8 per d, 2,500 excess cases would occur and only ≈ 200 cases for a bacterial growth rate of 5 per d. These results are for parameters as given in the legend to Fig. 3. For a more complete sensitivity analysis, see Figs. 6–8, which are published as supporting information on the PNAS web site. The main results here are (i) low bacterial growth rates are required to achieve epidemics similar in magnitude to those observed, and (ii) the severity is sensitive to changes in growth rate at the low end of the range.

Adding relatively large numbers of phage to the reservoir at the time of the bacterial bloom decreases the size of the epidemic. If there are too few phage, 10^5 virions per liter or less, there is virtually no effect on the epidemic. On the other hand, if the initial density of phage is 10^8 and the decay rate of the phage is low (0.525 per d), phage predation on vibrio would prevent $\approx 3,000$ cases of cholera compared with the phage-free outbreak. At any initial phage density, the efficacy of the phage in reducing the number of cases declines as the phage decay rate increases. For more detail, see *Supporting Text*.

Phage Control: Instability-Induced Outbreaks. In this scenario, phage and bacteria coexist in the reservoir at equilibrium. Phage control of disease is demonstrated simply by the fact that outbreaks ensue

when phage density is reduced below its equilibrium value. This allows bacterial density to increase and infection to proceed.

Example outbreaks for varying ω (which forces ϕ to vary) are given in Fig. 4. Initial phage densities were set to zero to give the most severe epidemic. These examples can be construed as quantitative support for the conceptual model of ref. 7, because the parameters are within biologically relevant ranges, to the extent they are known. In Fig. 4 *Inset*, we show the microbial dynamics for the case $\phi = 1.5$, with phage decay $\omega = 0.525$ per d. Note that the interval between the bacterial and phage density peaks is 3–5 weeks, longer than in the resource control scenario. Outbreak severity increases with increasing ϕ , as expected, because the larger ϕ is, the greater is the potential increase of reservoir bacterial density (from K_v/ϕ to K_v) when phage are removed. Oscillatory dynamics occur with higher values of ϕ .

If the phage are not eliminated completely, the extent to which the epidemic will rise varies inversely with the drop in the phage density. For example, assuming a decay rate of 0.525 per day ($\phi = 1.5$), we obtain 4,000 excess cholera cases by eliminating phage at the outset, but only 1,000 cases if we reduce initial phage density to 10% of equilibrium. For more detail, see *Supporting Text*.

Proportion of Phage-Positive Infecteds. In Fig. 5, the change in the fraction of phage-positive infected individuals, for different values of the phage, median infection dose l , is shown for resource- and phage-controlled scenarios. The larger l is, the more phage must be consumed to become phage-positive. Note that in the resource-controlled scenario, there is a threshold phage susceptibility, above which a steady-state number of phage-positive infecteds persists. In this situation, the endemicity of phage infection leads to a nonzero equilibrium level of phage in the reservoir and a consequent reduction in equilibrium bacterial density. In the phage-control scenario, all values lead to high equilibrium levels of phage infection of patients. Although the dynamics of phage-positive infecteds were sensitive to changes in the rate of phage infection, this rate did not strongly influence epidemic severity, for $\alpha = 1$ (data not shown).

Discussion

We interpret the results of our analysis as support for the following propositions: (i) that bacteriophage are not necessary for either the induction or the termination of cholera outbreaks; but (ii) if bacteriophage are present, persistently or transiently, predation on *V. cholerae* in the reservoir can influence the course of cholera outbreaks. When conditions are such that, before an outbreak, *V. cholerae* and their lytic phage coexist stably in the reservoir, externally caused reductions in steady-state phage density could lead to bacterial outgrowth and consequent outbreaks of disease. The extent and duration of these epidemics can be similar to those of the natural outbreak studied in ref. 7. In the model, the delay between the rise in cholera cases and in reservoir phage density can be a matter of weeks in the parameter regions we examined. When phage cannot maintain their densities, and the fluctuations in V .

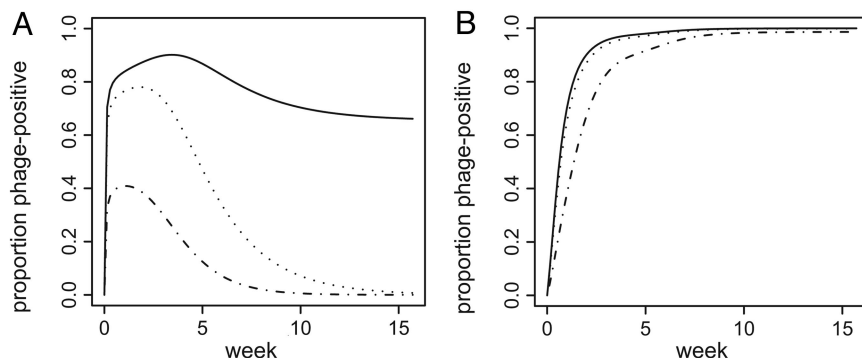


Fig. 5. Increase in phage-infected cholera patients. *y* axis, proportion of infected individuals harboring phage; *x* axis, time in weeks. Phage median infectious dose (l): solid line, 10^6 ; dotted line, 10^5 ; dot-dashed line, 10^4 . (A) Bloom-induced epidemic, initial bacterial density $3 \times K_v$, initial phage density 7.2×10^5 virions per liter, $\phi = 0.67$. (B) Instability-induced epidemic, initial phage density $7.2 \times 10^5 = 0.01 \times$ equilibrium density, zero initial phage-positive individuals, $\phi = 1.5$. Other parameters as in Fig. 3.

and phage interact according to mass action, with the rate of successful phage attacks (phage adsorption rate) denoted by γ . The number of phage produced per infected bacterium (burst size) is denoted by β . The death rate of phage in the reservoir is ω per day.

In the cholera model of ref. 9, which did not include phage or other limitation on bacterial growth in the reservoir, the net growth rate of the bacteria (m) was required to be negative, to prevent explosive growth of bacteria. Faruque *et al.* (7) assume that bacteria start out at a positive steady-state density in the environment, which is more consistent with environmental surveys of vibrio (5). To ensure this behavior, we suppose that bacterial growth is limited by available resources in a logistic manner (18), so that (in the absence of phage) bacterial densities attain a “carrying capacity” of K_v cells per liter (see, e.g., chapter 3 in ref. 19).

In Table 1, we give model parameter definitions, dimensions, empirical estimates, and references.

Model Equations. The system of differential equations corresponding to the model of Fig. 2 is

$$\begin{aligned}\dot{S} &= -\pi\left(\frac{V}{C(\alpha)K + V}\right)^a S - \delta S + \delta N \\ \dot{I}_- &= \pi\left(\frac{I}{I + P}\right)\left(\frac{V}{C(\alpha)k + V}\right)^a S - (\mu_- + \delta)I_- \\ \dot{I}_+ &= \pi\left(\frac{P}{I + P}\right)\left(\frac{V}{C(\alpha)k + V}\right)^a S - (\mu_+ + \delta)I_+ \\ \dot{R} &= \mu_- I_- + \mu_+ I_+ - \delta R \\ \dot{V} &= \left[m\left(1 - \frac{V}{K_v}\right) - \gamma P\right]V + c(I_- + I_+) \\ \dot{P} &= (\beta\gamma V - \omega)P + \alpha C I_+, \end{aligned}$$

where $N = S + I_- + I_+ + R$, $C(a) = 2^{1/a} - 1$, the dot represents the derivative with respect to time t in days, and parameters are as in Table 1. Nondimensionalized equations, calculation of equilibria, stability analysis, and determination of basic reproductive number can be found in *Supporting Text*.

Data. Data are described in detail in ref. 7 and reproduced in Fig. 1. Here we are concerned with numbers of infected individuals, proportion of infecteds also harboring phage (phase-positive infecteds), relative environmental bacterial densities, and environmental phage densities. Data were gathered during an outbreak in Dhaka, Bangladesh over the period mid-August to mid-December 2004.

Parameter Estimates. Our interest lies mainly in determining the conditions under which phage predation can influence the severity of outbreaks for parameter values in known biological ranges, and whether the observed dynamical pattern can be reproduced for a subset of these values. We therefore constrain our analysis by using parameter values in ranges that are consistent with empirical estimates (Table 1). In *Supporting Text*, we provide detailed rationales for the values chosen for the parameters (c , μ_+ , α , and a) lacking direct estimates in the literature.

Initial Conditions and Endemic Prevalence. Besides choosing parameters, we must also choose initial values of the variables: the densities of bacteria and phage and the numbers of susceptible, infected, and recovered individuals before the onset of the outbreak. For our analysis, we used the stable equilibrium values of these “state variables” that obtain in the absence of the perturbation, e.g., a bacterial bloom in the reservoir that initiates the outbreak. These equilibrium values were calculated by using expressions given in the *Supporting Text*.

The numerical analyses of the model equations were performed with a total human population of 10^6 and a birth/immigration rate δ of susceptibles tuned to give an equilibrium cholera prevalence of 0.5 per 1,000. This is in line with recent observations of endemic cholera in Southeast Asia (22) and is approximately the level of detection at the International Centre for Diarrhoeal Disease Research, Bangladesh hospital in Dhaka, assuming all severe cases in the city are treated there (S.M.F., unpublished work). Using these values, the model outbreaks are of similar magnitude to the numbers of cases observed in ref. 7.

Model Outbreaks. We simulated outbreaks in our model system in two ways, by either increasing the initial bacterial density above the equilibrium level (imitating a bacterial bloom) or decreasing initial phage density below equilibrium (imitating sudden phage decay or “instability”). These are referred to as bloom- or instability-induced epidemics. The initial values of the other state variables were left at their equilibrium values. For some parameter values, phage do not persist stably in the reservoir. In these cases, the effect of phage on the (bloom-induced) epidemic was modeled by specifying different initial concentrations of phage (see *Results*).

Numerical Analysis. Numerical solution of the dynamical system was carried out by using the interactive solver XPP (23), or the package ODESOLVE in the R statistical programming environment (24). Scripts may be obtained from the authors.

We thank Marc Lipsitch, Roland Regoes, and Joshua Weitz for valuable comments. This work was supported by National Institutes of Health Grants GM33782 and AI40662 (to B.R.L.).

- Waldor, M. K. & Mekalanos, J. J. (1996) *Science* **272**, 1910–1914.
- Colwell, R. R., Kaper, J. & Joseph, W. (1977) *Science* **198**, 394–396.
- Colwell, R. R., Seidler, R. J., Kaper, J., Joseph, S. W., Garges, S., Lockman, H., Maneval, D., Bradford, H., Roberts, N., Remmers, E., *et al.* (1981) *Appl. Environ. Microbiol.* **41**, 555–558.
- Koelle, K., Rodo, X., Pascual, M., Yunus, M. & Mostafa, G. (2005) *Nature* **436**, 696–700.
- Lipp, E. K., Huq, A. & Colwell, R. R. (2002) *Clin. Microbiol. Rev.* **15**, 757–770.
- Pascual, M., Rodo, X., Ellner, S. P., Colwell, R. & Bouma, M. J. (2000) *Science* **289**, 1766–1769.
- Faruque, S. M., Naser, I. B., Islam, M. J., Faruque, A. S., Ghosh, A. N., Nair, G. B., Sack, D. A. & Mekalanos, J. J. (2005) *Proc. Natl. Acad. Sci. USA* **102**, 1702–1707.
- Capasso, V. & Paveri-Fontana, S. L. (1979) *Rev. Epidemiol. Santé Publique* **27**, 121–132.
- Codeco, C. T. (2001) *BMC Infect. Dis.* **1**, 1.
- Huq, A., Colwell, R. R., Rahman, R., Ali, A., Chowdhury, M. A., Parveen, S., Sack, D. A. & Russek-Cohen, E. (1990) *Appl. Environ. Microbiol.* **56**, 2370–2373.
- Cash, R. A., Music, S. I., Libonati, J. P., Snyder, M. J., Wenzel, R. P. & Hornick, R. B. (1974) *J. Infect. Dis.* **129**, 45–52.
- Merrell, D. S., Butler, S. M., Qadri, F., Dolganov, N. A., Alam, A., Cohen, M. B., Calderwood, S. B., Schoolnik, G. K. & Camilli, A. (2002) *Nature* **417**, 642–645.
- Stewart, F. M. & Levin, B. R. (1973) *Am. Nat.* **107**, 171–198.
- Adams, M. H. (1959) *Bacteriophages* (Interscience, New York).
- Chao, L., Levin, B. R. & Stewart, F. M. (1977) *Ecology* **58**, 369–378.
- Levin, B. R., Stewart, F. M. & Chao, L. (1977) *Am. Nat.* **111**, 3–24.
- Faruque, S. M., Islam, M. J., Ahmad, Q. S., Faruque, A. S., Sack, D. A., Nair, G. B. & Mekalanos, J. J. (2005) *Proc. Natl. Acad. Sci. USA* **102**, 6119–6124.
- Monod, J. (1949) *Annu. Rev. Microbiol.* **3**, 371–394.
- Murray, J. D. (2002) *Mathematical Biology* (Springer, New York).
- Brayton, P. R., Tamplin, M. L., Huq, A. & Colwell, R. R. (1987) *Appl. Environ. Microbiol.* **53**, 2862–2865.
- Monsur, K. A., Rahman, M. A., Huq, F., Islam, M. N., Northrup, R. S. & Hirschhorn, N. (1970) *Bull. World Health Org.* **42**, 723–732.
- Agini, M. D., Soeharno, R., Lesmana, M., Punjabi, N. H., Simanjuntak, C., Wangsasaputra, F., Nurdin, D., Pulungsih, S. P., Rofiq, A., Santoso, H., *et al.* (2005) *BMC Infect. Dis.* **5**, 89.
- Ermentrout, B. (2002) *Simulating, Analyzing, and Animating Dynamical Systems: A Guide to XPPAUT for Researchers and Students* (Soc. Indust. Appl. Math., Philadelphia).
- R Development Core Team (2004) *R: A Language and Environment for Statistical Computing* (R Foundation for Statistical Computing, Vienna).
- Mourino-Perez, R. R., Worden, A. Z. & Azam, F. (2003) *Appl. Environ. Microbiol.* **69**, 6923–6931.
- Chakrabarti, B. K., Si, K. & Chattopadhyay, D. (1996) *J. Gen. Virol.* **77**, 2881–2884.
- Chattopadhyay, S., Kinchington, D. & Ghosh, R. K. (1987) *J. Gen. Virol.* **68**, 1411–1416.
- Sinton, L. W., Finlay, R. K. & Lynch, P. A. (1999) *Appl. Environ. Microbiol.* **65**, 3605–3613.