

Autosomal Dominant Nonsyndromic Cleft Lip and Palate: Significant Evidence of Linkage at 18q21.1

Soraya Beiraghi,* Swapan K. Nath,* Matthew Gaines, Desh D. Mandhyan, David Hutchings, Uppala Ratnamala, Ken McElreavey, Lucia Bartoloni, Gregory S. Antonarakis, Stylianos E. Antonarakis, and Uppala Radhakrishna

Nonsyndromic cleft lip with or without cleft palate (NSCL/P) is one of the most common congenital facial defects, with an incidence of 1 in 700–1,000 live births among individuals of European descent. Several linkage and association studies of NSCL/P have suggested numerous candidate genes and genomic regions. A genomewide linkage analysis of a large multigenerational family (UR410) with NSCL/P was performed using a single-nucleotide-polymorphism array. Nonparametric linkage (NPL) analysis provided significant evidence of linkage for marker *rs728683* on chromosome 18q21.1 (NPL = 43.33 and $P = .000061$; nonparametric LOD = 3.97 and $P = .00001$). Parametric linkage analysis with a dominant mode of inheritance and reduced penetrance resulted in a maximum LOD score of 3.61 at position 47.4 Mb on chromosome 18q21.1. Haplotype analysis with informative crossovers defined a 5.7-Mb genomic region spanned by proximal marker *rs1824683* (42,403,918 bp) and distal marker *rs768206* (48,132,862 bp). Thus, a novel genomic region on 18q21.1 was identified that most likely harbors a high-risk variant for NSCL/P in this family; we propose to name this locus “*OFC11*” (orofacial cleft 11).

Cleft lip and palate are birth defects that affect the upper lip and the roof of the mouth. Nonsyndromic cleft lip with or without cleft palate (NSCL/P) is one of the most common congenital craniofacial birth defects, affecting 1 in 700–1,000 newborns in the United States each year.¹ Its highest prevalence rates are in Native Americans and Asians.^{2–4} Nonsyndromic familial NSCL/P represents almost half of facial malformations; the cases can be sporadic or inherited as an autosomal dominant trait. On the other hand, >400 syndromes, including numerous chromosomal anomalies, may include a facial cleft as one of the manifestations. Some of the common syndromes and/or anomalies associated with such clefting include van der Woude (MIM 119300), Apert (MIM 101200), Meckel (MIM 249000), Treacher Collins (MIM 154500), and Zlotogora-Ogur (MIM 225060) syndromes; however, the genes mutated in these disorders are not responsible for NSCL/P.⁵ Recent reports suggest that several genes on various chromosomal regions have pathogenic mutations associated with NSCL/P, including *LHX8* (MIM 604425) on 1p31.1, *SKI* (MIM *164780) on 1p36.3, *MTHFR* (MIM *607093) on 1p36.3, *IRF6* (MIM *607199) on 1q32-q41, *TGFB2* on 1q41, *TGFA* (MIM *190170) on 2p13.3, *GLI2* (MIM *165230) on 2q14.2, *SATB2* (MIM *608148) on 2q32-q33, *SUMO1* (MIM *601912) on 2q33.1, *P63* (MIM *603273) on 3q27-q29, *MSX1* (MIM *142983) on 4p16.3-p16.1, *SPRY1* (MIM

*602465) on 4q28.1, *MSX2* (MIM *123101) on 5q34-q35, *F13A1* (MIM +134570) on 6p25.3-p24.3, *TGFB1* (MIM *190181) on 9q33-q34, *FOXE1* (MIM *602617) on 9q22.33, *PVRL1* (MIM *600644) on 11q23-q24, *SPRY2* (MIM *602466) on 13q31.1, *TGFB3* (MIM *190230) on 14q24.3, *JAG2* (MIM *602570) on 14q32.33, *GABRB3* (MIM *137192) on 15q11.2-q12, *RARA* (MIM *180240) on 17q21.1, *BCL3* (MIM *109560) on 19q13.31, *TGFB1* (MIM *190180) on 19q13.2, *TBX1* (MIM *602054) on 22q11.21, and *PHF8* (MIM *300560) on Xp11.2^{6–13}; however, none of these seem to be a common locus for the majority of sporadic or familial cases of NSCL/P.^{14–16}

Various independent association and linkage studies of different populations have identified 10 loci with evidence of linkage for syndromic and/or nonsyndromic orofacial cleft (OFC): on 6p24.3 (*OFC1* [MIM 119530]), 2p13 (*OFC2* [MIM 602966]), 19q13 (*OFC3* [MIM 600757]), 4q21-q31 (*OFC4* [MIM 608371]), 4p16.1 (*OFC5* [MIM 608874]), 1q32-q41 (*OFC6* [MIM 608864]), 11q23-q24 (*OFC7* [MIM 600644]), 3q27 (*OFC8* [MIM 129400]), 13q33.1-34 (*OFC9* [MIM 610361]), and 2q32.2-q33 (*OFC10* [MIM 601912]). Pathogenic mutations have been identified in 4 of these 10 loci: *MSX1* on 4p16.1, *IRF6* on 1q32-q41, *PVRL1* on 11q23-q24, and *TP73L* on 3q27.^{17–20} Increased incidence of clefts associated with chromosomal aberrations involving chromosomes 13 and 18 have also been reported.^{21,22}

From the Division of Pediatric Dentistry, University of Minnesota, Minneapolis (S.B.); Genetic Epidemiology Unit, Arthritis and Immunology Research Program, Oklahoma Medical Research Foundation, Oklahoma City (S.K.N.; M.G.; D.D.M.; D.H.); Green Cross Voluntary Blood Bank and Genetic Research Center, Ahmedabad, India (U. Ratnamala); Department of Reproduction, Fertility and Populations, Institut Pasteur, Paris (K.M.); Department of Genetic Medicine and Development (L.B.; S.E.A.; U. Radhakrishna), Department of Orthodontics, School of Dental Medicine (G.S.A.), and Geneva University Hospitals (S.E.A.), University of Geneva Medical School, Geneva

Received December 5, 2006; accepted for publication April 5, 2007; electronically published May 18, 2007.

Address for correspondence and reprints: Dr. Uppala Radhakrishna, Department of Genetic Medicine and Development, University of Geneva Medical School, Geneva, Switzerland. E-mail: radhakrishna.uppala@medecine.unige.ch

* These two authors contributed equally to this work.

Am. J. Hum. Genet. 2007;81:180–188. © 2007 by The American Society of Human Genetics. All rights reserved. 0002-9297/2007/8101-0018\$15.00
DOI: 10.1086/518944

A genomewide linkage analysis was performed on an extended American family (UR410) of self-reported European origin with NSCL/P and likely autosomal dominant mode of inheritance. The family initially was tested for linkage to loci reported elsewhere to be candidates for autosomal dominant forms of NSCL/P (*OFC4*). Markers analyzed by Beiraghi et al.²³ for the *OFC4* locus on chromosome 4q provided weak evidence of linkage (LOD score <2.3). The present analysis with use of SNP markers provides significant evidence of a susceptibility locus on a genomic region of ~5.7 Mb on chromosome 18q21.1.

The six-generation NSCL/P-affected family (UR410) with probable autosomal dominant inheritance was first ascertained in Switzerland; however, a branch of 30 individuals residing in the United States has extended the pedigree reported by Ward et al.²⁴ Of the 52 individuals in this family, 11 (7 males and 4 females) showed NSCL/P phenotypes, ranging from unilateral to bilateral NSCL/P. There were no other associated anomalies observed in the individuals of this family. Informed consent was obtained from all subjects who participated in the study, and blood samples were collected from all cooperating family members. Samples from a total of 27 individuals were used for the linkage analysis: 9 affected individuals, 4 obligate carriers, and 14 apparently unaffected individuals (fig. 1).

DNA from peripheral-blood samples was isolated using DNA-extraction kits. A genomewide genotyping was undertaken using GeneChip Mapping 10K *Xba*I Array containing 10,555 SNPs. These SNP markers are equally distributed in the genome, with mean intermarker distances of 250 kb and an average heterozygosity of 0.38 (Affymetrix). The assay was done using 250 ng of genomic DNA, and >99% of the SNPs were determined unequivocally for each sample. Scanned images were processed with Affy-

metrix Micro Array Suite Software, and data were analyzed with GDAS v2 software. PedCheck was used for the detection of any Mendelian incompatibility of genotypes.²⁵ SNP genotype data were imported into the linkage-analysis programs GENEHUNTER²⁶ and MERLIN.²⁷ In the initial genome scan, evidence of linkage was assessed with a nonparametric, penetrance-independent, affected-only, and allele-sharing analysis (NPL score). With use of MERLIN, one can convert this into a nonparametric LOD score (LOD*) by maximizing the likelihood with respect to a scalar parameter, δ , that measures the amount of excess sharing of identical-by-descent alleles among affected relatives (with $\delta = 0$ corresponding to the null hypothesis of no linkage²⁸). We used the S_{all} scoring function^{26,29} and the exponential allele-sharing model to generate the relevant linkage statistic.

When significant evidence of linkage was found by exceeding the predetermined threshold ($P < .01$), two-point as well as multipoint LOD scores maximized over various plausible genetic model parameters (MOD-score analysis) of the entire pedigree were performed, using a GENEHUNTER_MODSCORE analysis package. The map order and intermarker distances between SNPs were based on data from the National Center for Biotechnology Information (build 35.1). To evaluate the false-positive rate of linkage, simulations were performed to evaluate the results with use of empirical P values. The simulations were designed to match the observed data in marker density and informativeness, pedigree structure, and individual phenotypes. We generated 10,000 replicate data sets under the null hypothesis of no linkage, to estimate the empirical P value. On the basis of our simulations, the empirical threshold for genomewide significance at the 5% level was set at $NPL = 42.12$. Putative haplotypes containing the

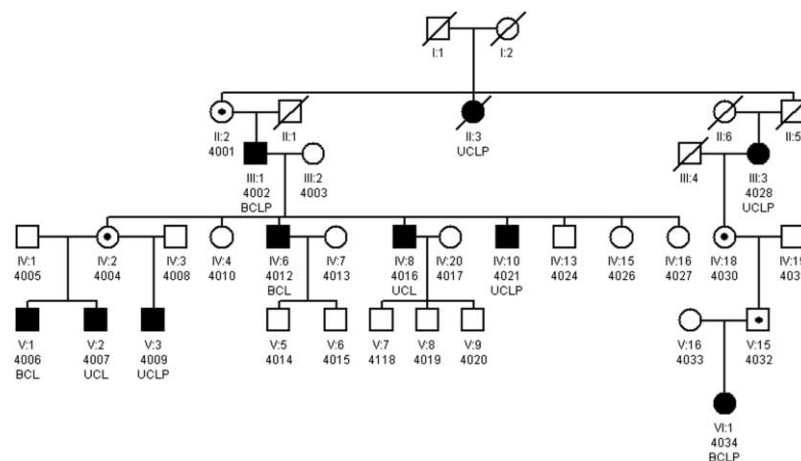


Figure 1. Pedigree of family UR410 with NSCL/P. Affected individuals are shown with blackened symbols, and unaffected individuals are shown with unblackened symbols. Samples included in the analysis are numbered below their pedigree symbols. A dot in the center of a symbol indicates an individual who is an obligate carrier and produced affected children with NSCL/P. BCLP=bilateral cleft lip and cleft palate; UCLP=unilateral cleft lip and cleft palate; BCL=bilateral cleft lip; UCL=unilateral cleft lip.

Table 1. Two-Point LOD Scores between NSCL/P in family UR410 and Polymorphic Markers from Known Candidate Genomic Region on Chromosome 4q

Marker	LOD at $\theta =$							Mapping Position (cM)
	.00	.01	.05	.10	.20	.30	.40	
<i>D4S193</i>	-9.86	-3.12	-.59	.28	.76	.71	.43	117.06
<i>D4S1612</i>	-10.37	-3.98	-1.33	-.31	.44	.59	.42	124.45
<i>D4S194</i>	-4.73	-1.85	-.70	-.28	-.01	.02	.00	126.15
<i>D4S2975</i>	-3.14	-.46	.24	.47	.51	.34	.12	126.71
<i>D4S1615</i>	-1.69	.77	1.27	1.31	1.08	.69	.26	128.31
<i>D4S2307</i>	-3.21	-.45	.76	1.12	1.19	.96	.55	129.92
<i>D4S429</i>	-10.72	-3.30	-1.35	-.62	-.09	.00	-.01	131.00
<i>D4S3039</i>	-6.96	-1.90	-.62	-.18	.10	.10	.01	132.72
<i>D4S175</i>	-3.36	.45	1.64	1.97	1.93	1.52	.87	134.74
<i>D4S2939</i>	-3.58	-1.94	-.72	-.17	.20	.20	.09	142.24
<i>D4S192</i>	-3.11	-.55	.16	.43	.60	.54	.34	143.31
<i>D4S424</i>	-1.22	.45	.99	1.10	1.00	.76	.42	144.56
<i>D4S2998</i>	-9.60	-3.87	-1.23	-.23	.50	.63	.44	145.98
<i>D4S1586</i>	-5.77	-1.98	-.66	-.16	.19	.25	.17	147.06
<i>D4S3008</i>	.63	.62	.59	.54	.42	.30	.16	152.98
<i>D4S3021</i>	-7.44	-5.00	-2.94	-1.99	-1.03	-.51	-.19	154.63
<i>D4S2631</i>	-7.21	-3.25	-1.31	-.59	.07	.06	.05	155.75
<i>D4S413</i>	-11.86	-3.41	-1.46	-.73	-.19	-.03	.00	157.99
<i>D4S3033</i>	-9.32	-2.55	-.09	.70	1.04	.84	.42	161.04

NOTE.—Scores were calculated under a dominant model with 75% penetrance and .0001 disease-allele frequency.

disease-causing loci were determined by using the critical recombinants across the affected family members, with use of SIMWALK and GENEHUNTER.

Linkage analysis of tightly linked loci can lead to an excess of false-positive results if the markers are in strong linkage disequilibrium (LD) and parents are not available for genotyping.^{30,31} Therefore, the impact of LD on LOD scores was reassessed at the linked regions, with use of two approaches. First, MERLIN was used to accommodate marker-marker LD in both parametric and nonparametric analyses, by organizing closely located adjacent markers into clusters. Although many studies have shown that the extent and distribution of LD are variable throughout the genome, in most cases, significant LD does not influence markers separated by >0.1 cM in outbred populations.^{32–34} However, to be conservative, markers within 0.2 cM in a cluster were used. Second, SNPLINK³⁵ was used to calculate LD between markers, and the LD was then removed by considering each set of markers in LD (defined as “sets in which each consecutive marker pair in the set is found to be in LD”) and by retaining one SNP from each set, chosen as the middle SNP from the set. Linkage was then recalculated using the new LD-free set of markers. We used LD values >0.7 and >0.4 for D' and r^2 , respectively, to define significant LD, as suggested elsewhere.^{36,37}

Before this genomewide analysis, 19 polymorphic microsatellite markers on chromosome 4q (*OFC4*) had been genotyped in the region from 117.06 cM to 161.04 cM (GDB Human Genome Database). It was suggested that chromosome 4q was involved in NSCL/P, because a previous limited study²³ of a small branch of the UR410 family had detected LOD scores of 2.27 and 1.93 for

markers *D4S175* and *D4S192*, respectively. Linkage analysis was performed using LINKAGE, under the assumption of an autosomal dominant inheritance with reduced penetrance.

The linkage analysis of and haplotype data about chromosome 4q determined using samples from the extended pedigree excluded the published candidate genomic region²³ (table 1). The genomewide linkage scan with use of an NPL analysis provided significant evidence of linkage for an NSCL/P locus (*OFC11*) at and around marker *rs728683* on chromosome 18q21.1 (NPL = 43.33; $P = .000061$). With use of simulations (see above), this value is equivalent to a genomewide empirical P value of .012. We also converted these NPL values to nonparametric LOD* scores,²⁸ maximizing over δ . The peak linkage corresponds to the Kong and Cox²⁸ LOD* score of 3.97, with $P = .00001$. These data were also supported by subsequent parametric linkage analysis, with a dominant mode of inheritance and reduced penetrance. The maximum multipoint LOD score of 3.61 at position 47.4 Mb on chromosome 18 was observed. Twenty-three SNP markers, spanning a region of ~8.2 cM (*rs1824683–rs724349*), showed parametric LOD scores from 3.61 (NPL = 43.30; $P = .000061$) to 2.92 (NPL = 17.33; $P = .000244$) (table 2). The best-fitted parametric model that was used for obtaining the optimum linkage results was incomplete dominance with 65% penetrance and disease-allele frequency of 0.0001. No additional peak with a statistically significant LOD score was found in the genome (fig. 2). Haplotype analysis for the 18q21.1-linked region was performed using 27 informative SNP markers. Informative crossovers in affected individuals IV-10 (4021) and V-3 (4009), be-

Table 2. Parametric-Linkage and NPL Scores for the Peak Region at Chromosome 18q21.1

SNP	Position		Genome Scan of the NSCL/P-Affected Family		
	Genetic (cM)	Physical (bp)	Parametric LOD	Nonparametric LOD	
				NPL	P
<i>rs726131</i>	65.641	42,118,566	−.55	10.53	.000656
<i>rs1824683</i>	66.057	42,403,918	3.48	34.40	.000244
<i>rs328149</i>	66.087	42,424,469	3.51	36.10	.000244
<i>rs645631</i>	66.203	42,505,993	3.61	42.82	.000153
<i>rs1073744</i>	66.204	42,506,272	3.61	42.81	.000153
<i>rs953291</i>	67.077	43,124,497	3.61	42.78	.000153
<i>rs1944574</i>	68.548	43,979,261	3.61	42.82	.000153
<i>rs953570</i>	68.567	43,988,463	3.61	42.82	.000153
<i>rs1944584</i>	68.667	44,035,980	3.61	42.82	.000153
<i>rs1398193</i>	68.885	44,241,137	3.61	42.83	.000153
<i>rs1877412</i>	68.885	44,241,673	3.61	42.83	.000153
<i>rs1943984</i>	70.873	45,477,909	3.61	42.76	.000153
<i>rs1985467</i>	71.431	45,928,259	3.61	42.82	.000153
<i>rs1822466</i>	71.519	45,999,664	3.61	42.83	.000153
<i>rs1373185</i>	71.519	45,999,849	3.61	42.83	.000153
<i>rs768360</i>	71.542	46,018,071	3.61	42.83	.000153
<i>rs2006747</i>	71.795	46,222,356	3.61	42.83	.000153
<i>rs728682</i>	71.966	46,349,352	3.61	42.83	.000153
<i>rs2969972</i>	71.989	46,362,761	3.61	42.84	.000061
<i>rs1822458</i>	72.264	46,528,403	3.61	42.94	.000061
<i>rs1941962</i>	72.892	46,999,467	3.61	43.17	.000061
<i>rs1369766</i>	73.228	47,272,878	3.61	43.30	.000061
<i>rs728683</i>	73.339	47,362,995	3.61	43.33	.000061
<i>rs724349</i>	74.247	48,019,014	2.92	17.33	.000244
<i>rs959655</i>	74.477	48,132,862	.23	10.74	.000610
<i>rs768207</i>	74.477	48,132,968	−.04	10.73	.000610

NOTE.—The model used for parametric analysis was incomplete dominance with 65% penetrance and a disease-allele frequency of .0001.

tween *rs1824683/rs328149* and *rs768207/rs768206*, respectively, defined the NSCL/P candidate region of 5.7 Mb, bordered by proximal marker *rs1824683* (physical map position 42,403,918 bp) and distal marker *rs768206* (physical map position 48,132,862 bp) (fig. 3).

To assess the impact of LD on linkage, we first used markers within 0.1–0.2 cM of each other in a cluster and estimated the linkage scores. Several clusters of 2–6 SNPs demonstrated LD. With the assumption of complete LD within the cluster, MERLIN uses population haplotype frequencies in the calculation of linkage. Interestingly, at chromosome 18, the LOD and NPL scores were virtually the same, especially for the significant markers. We also recalculated the linkage scores by removing the redundant SNPs ($D' > 0.7$ or $r^2 > 0.4$), using SNPLINK, and arrived at almost similar results.

The etiology of OFCs is complex, related to both genetic and environmental factors.^{2,38} Although there have been a number of studies undertaken to identify the genetic variations responsible for NSCL/P, the results have not been consistent among populations, and no single susceptibility gene has been identified to date that plays a major role in this disorder.^{39–44} The majority of these reports used small nuclear families; however, there are a few

exceptional large multigenerational families with both an autosomal dominant and autosomal recessive inheritance of NSCL/P that gave significant evidence of linkage to chromosomes 13q,⁴⁵ 17p,⁴⁶ and multiple loci.⁴⁷ Previous studies of a subset of pedigree UR410 suggested evidence of linkage on 4q; however, the present study, which includes 19 additional genotyped individuals (2 affected), fails to confirm this region (LOD score <2.3). The previous data were also considered to be a false-positive result by two independent studies.^{42,48} We report here linkage analysis, with use of an SNP array containing ~10,000 SNP markers, that provided significant evidence of a novel susceptibility locus on a genomic region of 5.7 Mb on chromosome 18q21.1.

Several genomewide linkage studies conducted using multiplex families of various ethnic origins showed evidence of linkage at chromosome 18; however, these suggested regions either do not include the present locus or do not have statistically significant results.^{39,40,44,49} The genome-scan meta-analysis conducted by Marazita et al.⁴³ of 388 extended multiplex families with NSCL/P from seven diverse populations yielded positive evidence at multiple loci, including weak evidence at the chromosome 18q21.1 region. Furthermore, the study suggested *SMAD2* as a candidate in the mapped genetic interval.

A whole-genome scan, performed using a high-density SNP genotyping assay conducted by Radhakrishna et al.,⁴⁵ of two large Indian families provided suggestive evidence of linkage on chromosome 18q21.1 and strong evidence on chromosome 13q33.1–34. The SNP marker (*rs959655*) that gave the highest NPL peak (NPL = 3.64; $P = .0066$) on chromosome 18 in the previous study⁴⁵ is also supported by parametric LOD score. This SNP marker is in the vicinity of the genetic interval mapped in the present study. Several studies have also found that genetic variation in *IRF6* contributes to the development of NSCL/P^{50–52}; however, in the present study, we did not observe any positive linkage.

Numerous reports indicate that chromosome 18–related anomalies are associated with increased incidence of NSCL/P, including deletion of 18q^{53–57} and full or partial trisomy 18 involving the region 18q21.^{21,22,58–69} Niedrist et al.²² analyzed 352 cases of trisomy 18 from northeastern Switzerland and found that 14% of the subjects had facial clefts. Schinzel et al.⁷⁰ reported three subjects with the 18q syndrome associated with various developmental anomalies and cleft palate. An isochromosome 18q in a fetus with congenital megacystis, growth retardation, and cleft lip and palate was reported by Chen et al.⁵⁹ Partial deletion of 18q in a patient with bilateral complete cleft lip was reported by Fujimoto et al.⁶⁸ Cody et al.⁵⁵ analyzed 42 individuals with deletions of 18q and observed several subjects with craniofacial abnormalities, including NSCL/P, associated with breakpoints at 18q21.1, 18q21, and 18q21.2.

The 5.7-Mb interval containing the locus for NSCL/P on chromosome 18q21.1 contains 36 annotated transcripts

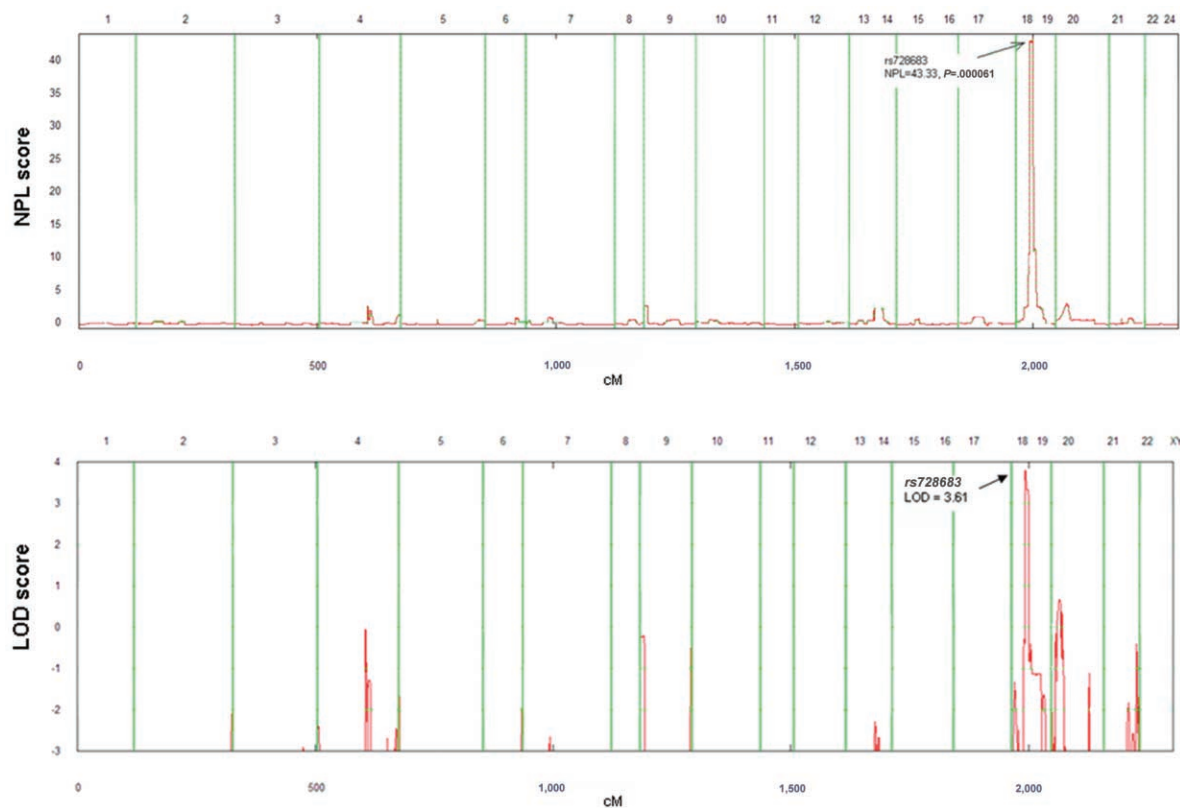


Figure 2. Multipoint linkage analysis with use of NPL in the genomewide scan of multigenerational family UR410 with NSCL/P. In the upper panel, the X-axis represents the chromosome location for the 22 autosomes, and the Y-axis represents the NPL score. The highest peak is on chromosome 18q21.1. In the lower panel, the X-axis shows chromosome location for the 22 chromosomes, and the Y-axis shows the location score, calculated using GENEHUNTER software. The maximal LOD score of 3.61 is observed around marker *rs728683*.

(Ensembl), including several genes implicated in developmental or pathological events in craniofacial birth defects. Candidate genes include protein inhibitor of activated *STAT2* (*PIAS2* [MIM 603567]), mothers against decapentaplegic and homologs of the *Drosophila* (*MAD*) genes (*SMAD2* [MIM 601366], *SMAD4* [MIM 600993], and *SMAD7* [MIM 602932]). Recent reports suggested that the members of the transforming growth factor- β (*TGF- β*) superfamily that function in the embryonic palate are mediated through the *SMAD*-signaling system.⁷¹ *SMAD* proteins play a key role in intracellular *TGF- β* signaling, and mutations in the *TGF- β* pathway confer resistance to growth inhibition by *TGF- β* .⁷² The *TGF- β* -knockout mouse resulted in cleft palate due to failure of palatal shelf fusion,^{73–75} and polymorphisms in the gene for *TGF- β* have been linked to the development of cleft palate in humans.⁶

Haplotype analysis with critical recombination events allowed us to define a 5.7-Mb disease interval delimited by proximal SNP marker *rs824683* (map position 42,403,918 bp) and distal SNP marker *rs768206* (map position 48,133,056 bp). The critical interval of the 11th OCF locus (*OF11*) could not be further reduced, since additional

members of the family were not available. Haplotype analysis identified the risk haplotype shared by all affected individuals that was not found in any of the unrelated unaffected spouses. Since NSCL/P demonstrates reduced penetrance, all unaffected parents (subjects 4001, 4004, 4030, and 4032) who had affected children shared the affected haplotype. Therefore, we speculate that individuals 4018, 4020, 4024, and 4027 with normal phenotype and “at risk” haplotypes may also be at risk of having affected children. The haplotype data also support the autosomal dominant mode of inheritance in this family. Variation in the phenotypic expression—that is, the range from bilateral to unilateral NSCL/P—in members of the same pedigree (UR410) indicates that the genetic variation responsible for these abnormalities at a single locus might have variable phenotypic expression. Few of the positional candidate genes are currently being screened for a possible role in the pathogenesis of NSCL/P, but the results are inconclusive at present. We are also pursuing cytogenetic analysis and array comparative-genomic hybridization that may reveal microdeletions and/or duplications. In summary, this study demonstrates the power of using mul-

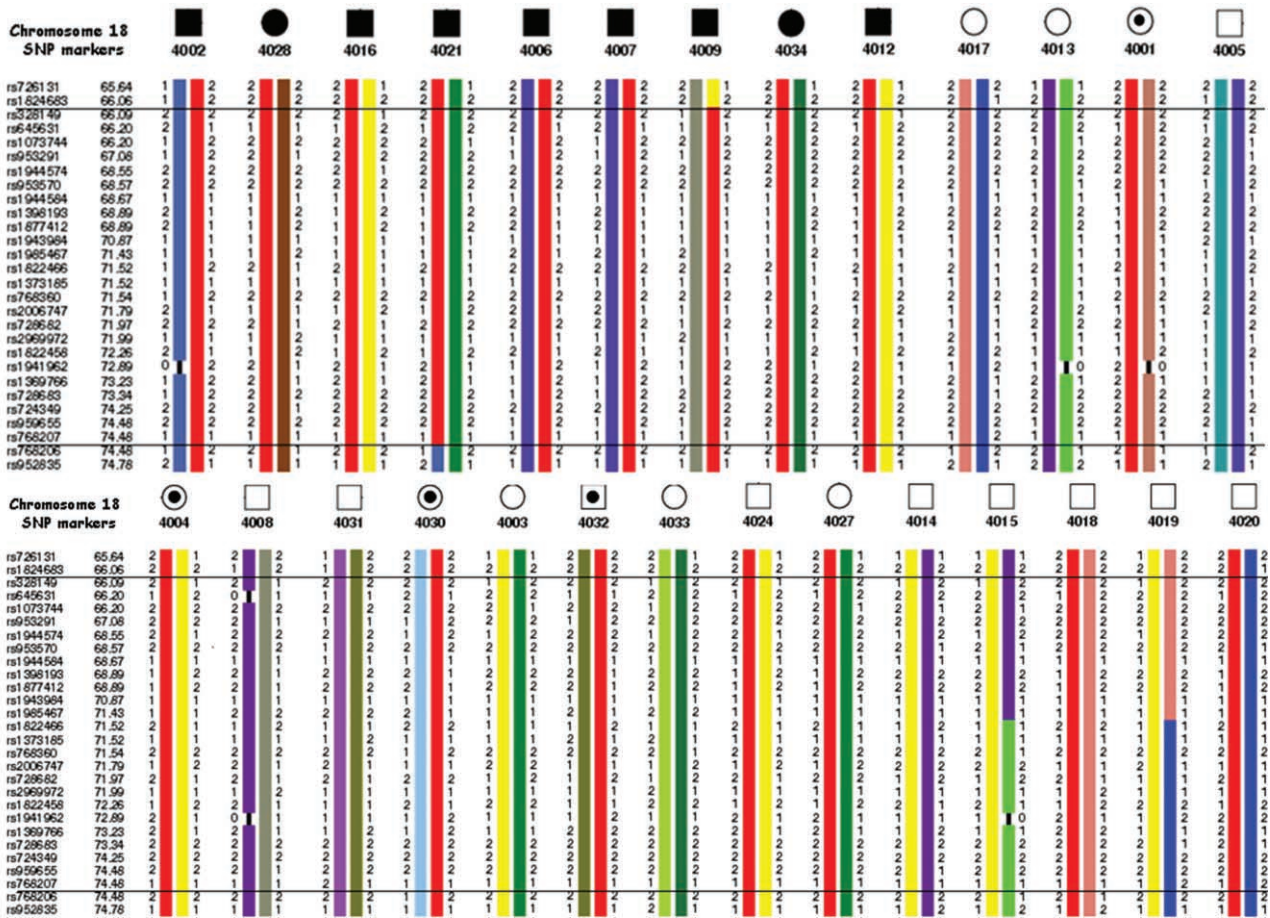


Figure 3. Genotypes and haplotypes of chromosome 18q21.1 SNP markers are shown below selected individuals of family UR410. Haplotypes associated with affected status are shown in red. Haplotype analysis indicated that the cosegregating segment of the NSCL/P locus is flanked proximally by marker *rs1824682* (position 42403918) and distally by marker *rs959655* (position 48132862) on chromosome 18q21.1.

tigenerational families in the analysis of complex traits. Identification of the pathogenic genetic variation would potentially provide significant insights into the molecular mechanisms underlying the etiology of NSCL/P.

Acknowledgments

We thank the members of family UR410 for their cooperation in the study. The study was supported in part by the Green Cross Blood Bank, Ahmedabad, Gujarat, India. K.M. is supported by a GIS-Institut des Maladies Rare grant. The laboratory of S.E.A. is supported by the Swiss National Science Foundation. S.K.N. was supported by Oklahoma Medical Research Foundation institutional grant 9124, for linkage analysis.

Web Resources

The URLs for data presented herein are as follows:

Affymetrix, <http://www.affymetrix.com/products/arrays/specific/10k.affx>
 Ensembl, <http://www.ensembl.org/>

GDB Human Genome Database, <http://www.gdb.org/>
 MERLIN, <http://www.sph.umich.edu/csg/abecasis/Merlin/>
 National Center for Biotechnology Information, <http://www.ncbi.nlm.nih.gov/> (for build 35.1)

Online Mendelian Inheritance in Man (OMIM), <http://www.ncbi.nlm.nih.gov/Omim/> (for van der Woude syndrome, Apert syndrome, Meckel syndrome, Treacher Collins syndrome, Zlotogora-Ogur syndrome, *LHX8*, *SKI*, *MTHFR*, *IRF6*, *TGFA*, *GLI2*, *SATB2*, *SUMO1*, *P63*, *MSX1*, *SPRY1*, *MSX2*, *F13A1*, *TGFBF1*, *FOXE1*, *PVRL1*, *SPRY2*, *TGFB3*, *JAG2*, *GABRB3*, *RARA*, *BCL3*, *TGFB1*, *TBX1*, *PHF8*, *OFC1*, *OFC2*, *OFC3*, *OFC4*, *OFC5*, *OFC6*, *OFC7*, *OFC8*, *OFC9*, *OFC10*, *PIAS2*, *SMAD2*, *SMAD4*, and *SMAD7*)

References

1. Tolarova MM, Cervenka J (1998) Classification and birth prevalence of orofacial clefts. *Am J Med Genet* 75:126–137
2. Murray JC (2002) Gene/environment causes of cleft lip and/or palate. *Clin Genet* 61:248–256
3. Murray JC (1995) Face facts: genes, environment, and clefts. *Am J Hum Genet* 57:227–232
4. Ankola AV, Nagesh L, Hegde P, Karibasappa GN (2005) Pri-

- mary dentition status and treatment needs of children with cleft lip and/or palate. *J Indian Soc Pedod Prev Dent* 23:80–82
5. Houdayer C, Bonaiti-Pellie C, Erguy C, Soupre V, Dondon MG, Burglen L, Cougoureux E, Couderc R, Vazquez MP, Bahau M (2001) Possible relationship between the van der Woude syndrome (vWS) locus and nonsyndromic cleft lip with or without cleft palate (NSCL/P). *Am J Med Genet* 104: 86–92
 6. Lidral AC, Romitti PA, Basart AM, Doetschman T, Leysens NJ, Daack-Hirsch S, Semina EV, Johnson LR, Machida J, Burds A, et al (1998) Association of *MSX1* and *TGFB3* with nonsyndromic clefting in humans. *Am J Hum Genet* 63:557–568
 7. Stein J, Mulliken JB, Stal S, Gasser DL, Malcolm S, Winter R, Blanton SH, Amos C, Seemanova E, Hecht JT (1995) Nonsyndromic cleft lip with or without cleft palate: evidence of linkage to *BCL3* in 17 multigenerational families. *Am J Hum Genet* 57:257–272
 8. Vieira AR, Avila JR, Daack-Hirsch S, Dragan E, Felix TM, Rahimov F, Harrington J, Schultz RR, Watanabe Y, Johnson M, et al (2005) Medical sequencing of candidate genes for nonsyndromic cleft lip and palate. *PLoS Genet* 1:e64
 9. Wyszynski DF, Maestri N, McIntosh I, Smith EA, Lewanda AF, Garcia-Delgado C, Vinageras-Guarneros E, Wulfsberg E, Beaty TH (1997) Evidence for an association between markers on chromosome 19q and non-syndromic cleft lip with or without cleft palate in two groups of multiplex families. *Hum Genet* 99:22–26
 10. Martinelli M, Scapoli L, Pezzetti F, Carinci F, Carinci P, Baciliero U, Padula E, Tognon M (1998) Suggestive linkage between markers on chromosome 19q13.2 and nonsyndromic orofacial cleft malformation. *Genomics* 51:177–181
 11. Chenevix-Trench G, Jones K, Green AC, Duffy DL, Martin NG (1992) Cleft lip with or without cleft palate: associations with transforming growth factor alpha and retinoic acid receptor loci. *Am J Hum Genet* 51:1377–1385
 12. Ardinger HH, Buetow KH, Bell GI, Bardach J, VanDemark DR, Murray JC (1989) Association of genetic variation of the transforming growth factor-alpha gene with cleft lip and palate. *Am J Hum Genet* 45:348–353
 13. Alkuraya FS, Saadi I, Lund JJ, Turbe-Doan A, Morton CC, Maas RL (2006) *SUMO1* haploinsufficiency leads to cleft lip and palate. *Science* 313:1751
 14. Hecht JT, Wang YP, Blanton SH, Michels VV, Daiger SP (1991) Cleft lip and palate: no evidence of linkage to transforming growth factor alpha. *Am J Hum Genet* 49:682–686
 15. Vintiner GM, Holder SE, Winter RM, Malcolm S (1992) No evidence of linkage between the transforming growth factor-alpha gene in families with apparently autosomal dominant inheritance of cleft lip and palate. *J Med Genet* 29:393–397
 16. Vintiner GM, Lo KK, Holder SE, Winter RM, Malcolm S (1993) Exclusion of candidate genes from a role in cleft lip with or without cleft palate: linkage and association studies. *J Med Genet* 30:773–778
 17. van den Boogaard MJ, Dorland M, Beemer FA, van Amstel HK (2000) *MSX1* mutation is associated with orofacial clefting and tooth agenesis in humans. *Nat Genet* 24:342–343
 18. Kondo S, Schutte BC, Richardson RJ, Bjork BC, Knight AS, Watanabe Y, Howard E, de Lima RL, Daack-Hirsch S, Sander A, et al (2002) Mutations in *IRF6* cause Van der Woude and popliteal pterygium syndromes. *Nat Genet* 32:285–289
 19. Sozen MA, Suzuki K, Tolarova MM, Bustos T, Fernandez Iglesias JE, Spritz RA (2001) Mutation of *PVRL1* is associated with sporadic, non-syndromic cleft lip/palate in northern Venezuela. *Nat Genet* 29:141–142
 20. Leoyklang P, Siriwan P, Shotelersuk V (2006) A mutation of the *p63* gene in non-syndromic cleft lip. *J Med Genet* 43:e28
 21. Berge SJ, Plath H, Van de Vondel PT, Appel T, Niederhagen B, Von Lindern JJ, Reich RH, Hansmann M (2001) Fetal cleft lip and palate: sonographic diagnosis, chromosomal abnormalities, associated anomalies and postnatal outcome in 70 fetuses. *Ultrasound Obstet Gynecol* 18:422–431
 22. Niedrist D, Riegel M, Achermann J, Schinzel A (2006) Survival with trisomy 18—data from Switzerland. *Am J Med Genet A* 140:952–959
 23. Beiraghi S, Foroud T, Diouhy S, Bixler D, Conneally PM, DeLozier-Blanchet D, Hodes ME (1994) Possible localization of a major gene for cleft lip and palate to 4q. *Clin Genet* 46: 255–256
 24. Ward RE, Bixler D, Jamison PL (1994) Cephalometric evidence for a dominantly inherited predisposition to cleft lip-cleft palate in a single large kindred. *Am J Med Genet* 50:57–63
 25. O’Connell JR, Weeks DE (1998) PedCheck: a program for identification of genotype incompatibilities in linkage analysis. *Am J Hum Genet* 63:259–266
 26. Kruglyak L, Daly MJ, Reeve-Daly MP, Lander ES (1996) Parametric and nonparametric linkage analysis: a unified multipoint approach. *Am J Hum Genet* 58:1347–1363
 27. Abecasis GR, Cherny SS, Cookson WO, Cardon LR (2002) Merlin—rapid analysis of dense genetic maps using sparse gene flow trees. *Nat Genet* 30:97–101
 28. Kong A, Cox NJ (1997) Allele-sharing models: LOD scores and accurate linkage tests. *Am J Hum Genet* 61:1179–1188
 29. Whittemore AS, Halpern J (1994) A class of tests for linkage using affected pedigree members. *Biometrics* 50:118–127
 30. Schaid DJ, McDonnell SK, Wang L, Cunningham JM, Thibodeau SN (2002) Caution on pedigree haplotype inference with software that assumes linkage equilibrium. *Am J Hum Genet* 71:992–995
 31. Huang Q, Shete S, Amos CI (2004) Ignoring linkage disequilibrium among tightly linked markers induces false-positive evidence of linkage for affected sib pair analysis. *Am J Hum Genet* 75:1106–1112
 32. Dawson E, Abecasis GR, Bumpstead S, Chen Y, Hunt S, Beare DM, Pabial J, de Lima RL, Daack-Hirsch S, Sander A, et al (2002) A first-generation linkage disequilibrium map of human chromosome 22. *Nature* 418:544–548
 33. Phillips MS, Lawrence R, Sachidanandam R, Morris AP, Balding DJ, Donaldson MA, Studebaker JF, Ankener WM, Alfisi SV, Kuo FS, et al (2003) Chromosome-wide distribution of haplotype blocks and the role of recombination hot spots. *Nat Genet* 33:382–387
 34. Ke X, Hunt S, Tapper W, Lawrence R, Stavrides G, Ghori J, Whittaker P, Collins A, Morris AP, Bentley D, et al (2004) The impact of SNP density on fine-scale patterns of linkage disequilibrium. *Hum Mol Genet* 13:577–588
 35. Webb EL, Sellick GS, Houlston RS (2005) SNPLINK: multipoint linkage analysis of densely distributed SNP data incorporating automated linkage disequilibrium removal. *Bioinformatics* 21:3060–3061
 36. Schaid DJ, Guenther JC, Christensen GB, Hebring S, Rosenow C, Hilker CA, McDonnell SK, Cunningham JM, Slager SL, Blute ML, et al (2004) Comparison of microsatellites ver-

- sus single-nucleotide polymorphisms in a genome linkage screen for prostate cancer-susceptibility loci. *Am J Hum Genet* 75:948-965
37. John S, Shephard N, Liu G, Zeggini E, Cao M, Chen W, Vasavda N, Mills T, Barton A, Hinks A, et al (2004) Whole-genome scan, in a complex disease, using 11,245 single-nucleotide polymorphisms: comparison with microsatellites. *Am J Hum Genet* 75:54-64
 38. Little J, Cardy A, Munger RG (2004) Tobacco smoking and oral clefts: a meta-analysis. *Bull World Health Organ* 82:213-218
 39. Field LL, Ray AK, Cooper ME, Goldstein T, Shaw DF, Marazita ML (2004) Genome scan for loci involved in nonsyndromic cleft lip with or without cleft palate in families from West Bengal, India. *Am J Med Genet A* 130:265-271
 40. Marazita ML, Field LL, Cooper ME, Tobias R, Maher BS, Panchitlertkajorn S, Liu YE (2002) Genome scan for loci involved in cleft lip with or without cleft palate, in Chinese multiplex families. *Am J Hum Genet* 71:349-364
 41. Schultz RE, Cooper ME, Daack-Hirsch S, Shi M, Nepomucena B, Graf KA, O'Brien EK, O'Brien SE, Marazita ML, Murray JC (2004) Targeted scan of fifteen regions for nonsyndromic cleft lip and palate in Filipino families. *Am J Med Genet A* 125:17-22
 42. Wong FK, Hagberg C, Karsten A, Larson O, Gustavsson M, Huggare J, Larsson C, Teh BT, Linder-Aronson S (2000) Linkage analysis of candidate regions in Swedish nonsyndromic cleft lip with or without cleft palate families. *Cleft Palate Craniofac J* 37:357-362
 43. Marazita ML, Murray JC, Lidral AC, Arcos-Burgos M, Cooper ME, Goldstein T, Maher BS, Daack-Hirsch S, Schultz R, Mansilla MA, et al (2004) Meta-analysis of 13 genome scans reveals multiple cleft lip/palate genes with novel loci on 9q21 and 2q32-35. *Am J Hum Genet* 75:161-173
 44. Marazita ML, Field LL, Tuncbilek G, Cooper ME, Goldstein T, Gursu KG (2004) Genome-scan for loci involved in cleft lip with or without cleft palate in consanguineous families from Turkey. *Am J Med Genet A* 126:111-122
 45. Radhakrishna U, Ratnamala U, Gaines M, Beiraghi S, Hutchings D, Golla J, Husain SA, Gambhir PS, Sheth JJ, Sheth FJ, et al (2006) Genomewide scan for nonsyndromic cleft lip and palate in multigenerational Indian families reveals significant evidence of linkage at 13q33.1-34. *Am J Hum Genet* 79:580-585
 46. Wyszynski DF, Albacha-Hejazi H, Aldirani M, Hammod M, Shkair H, Karam A, Alashkar J, Holmes TN, Pugh EW, Doheny KE, et al (2003) A genome-wide scan for loci predisposing to non-syndromic cleft lip with or without cleft palate in two large Syrian families. *Am J Med Genet A* 123:140-147
 47. Blanton SH, Bertin T, Patel S, Stal S, Mulliken JB, Hecht JT (2004) Nonsyndromic cleft lip and palate: four chromosomal regions of interest. *Am J Med Genet A* 125:28-37
 48. Blanco R, Suazo J, Santos JL, Carreno H, Palomino H, Jara L (2005) No evidence for linkage and association between 4q microsatellite markers and nonsyndromic cleft lip and palate in Chilean case-parents trios. *Cleft Palate Craniofac J* 42:267-271
 49. Zeiger JS, Hetmanski JB, Beaty TH, VanderKolk CA, Wyszynski DF, Bailey-Wilson JE, de Luna RO, Perandones C, Tolarova MM, Mosby T, et al (2003) Evidence for linkage of nonsyndromic cleft lip with or without cleft palate to a region on chromosome 2. *Eur J Hum Genet* 11:835-839
 50. Zuccherio TM, Cooper ME, Maher BS, Daack-Hirsch S, Nepomuceno B, Ribeiro L, Caprau D, Christensen K, Suzuki Y, Machida J, et al (2004) Interferon regulatory factor 6 (IRF6) gene variants and the risk of isolated cleft lip or palate. *N Engl J Med* 351:769-780
 51. Srichomthong C, Siriwan P, Shotelersuk V (2005) Significant association between IRF6 820G→A and non-syndromic cleft lip with or without cleft palate in the Thai population. *J Med Genet* 42:e46
 52. Blanton SH, Cortez A, Stal S, Mulliken JB, Finnell RH, Hecht JT (2005) Variation in IRF6 contributes to nonsyndromic cleft lip and palate. *Am J Med Genet A* 137:259-262
 53. Wertelecki W, Gerald PS (1971) Clinical and chromosomal studies of the 18q- syndrome. *J Pediatr* 78:44-52
 54. Subrt I, Pokorny J (1970) Familial occurrence of 18q. *Human-genetik* 10:181-187
 55. Cody JD, Ghidoni PD, DuPont BR, Hale DE, Hilsenbeck SG, Stratton RF, Hoffman DS, Muller S, Schaub RL, Leach RJ, Kaye CI (1999) Congenital anomalies and anthropometry of 42 individuals with deletions of chromosome 18q. *Am J Med Genet* 85:455-462
 56. Day EJ, Marshall R, MacDonald PA, Davidson WM (1967) Deleted chromosome 18 with paternal mosaicism. *Lancet* 2:1307
 57. Kline AD, White ME, Wapner R, Rojas K, Biesecker LG, Kamholz J, Zackai EH, Muenke M, Scott CI Jr, Overhauser J (1993) Molecular analysis of the 18q- syndrome—and correlation with phenotype. *Am J Hum Genet* 52:895-906
 58. Bertollini R, Mastroiacovo P, Segni G (1985) Maternal epilepsy and birth defects: a case-control study in the Italian Multi-centric Registry of Birth Defects (IPIMC). *Eur J Epidemiol* 1:67-72
 59. Chen CP, Chern SR, Lee CC, Town DD (1998) Isochromosome 18q in a fetus with congenital megacystis, intra-uterine growth retardation and cloacal dysgenesis sequence. *Prenat Diagn* 18:1068-1074
 60. Chen CP, Tzen CY, Chang TY, Lin CJ, Wang W, Lee CC, Chen LF, Chen WL (2003) Prenatal diagnosis of de novo mosaic distal 18q deletion associated with congenital anomalies. *Ultrasound Obstet Gynecol* 21:202-204
 61. Chen CP, Chern SR, Hung FY, Hsu CY, Chang TY, Lee CC, Town DD, Chen WL, Chen LF, Tzen CY, et al (2006) Prenatal diagnosis of pure distal 18q deletion. *Prenat Diagn* 26:184-185
 62. Habecker-Green JG, Naeem R, Gold H, O'Grady JP, Kanaan C, Bayer-Zwirello L, Murray MS, Cohn GM (1998) Prenatal diagnosis and clinical features of an individual with tetrasomy 18p and trisomy 18q mosaicism. *J Perinatol* 18:395-398
 63. Moore CA, Harmon JP, Padilla LM, Castro VB, Weaver DD (1988) Neural tube defects and omphalocele in trisomy 18. *Clin Genet* 34:98-103
 64. Pluchon E, Giovangrandi Y, Labbe F, Le Bris MJ, Collet M, Brettes JP, Riviere D, Riviere MR (1993) Prenatal diagnosis of a fetus with partial monosomy 7(q34→qter) and partial trisomy 18(q21→qter). *Prenat Diagn* 13:983-988
 65. Hafner E, Sterniste W, Scholler J, Schuchter K, Philipp K (1997) Prenatal diagnosis of facial malformations. *Prenat Diagn* 17:51-58
 66. Perrotin F, de Poncheville LM, Marret H, Paillet C, Lansac J, Body G (2001) Chromosomal defects and associated malformations in fetal cleft lip with or without cleft palate. *Eur J Obstet Gynecol Reprod Biol* 99:19-24

67. Meins M, Bohm D, Grossmann A, Herting E, Fleckenstein B, Fauth C, Speicher MR, Schindler R, Zoll B, Bartels I, et al (2004) First non-mosaic case of isopseudodicentric chromosome 18 (psu idic(18)(pter→q22.1::q22.1→pter) is associated with multiple congenital anomalies reminiscent of trisomy 18 and 18q- syndrome. *Am J Med Genet A* 127:58–64
68. Fujimoto S, Hida K, Tateishi A, Nakashima T, Kameyama Y, Yamada N (1991) 18q-syndrome with cleft lip and palate: a clinically diagnosed case. *J Craniomaxillofac Surg* 19:61–63
69. Tongsong T, Sirichotiyakul S, Wanapirak C, Chanprapaph P (2002) Sonographic features of trisomy 18 at midpregnancy. *J Obstet Gynaecol Res* 28:245–250
70. Schinzel A, Hayashi K, Schmid W (1975) Structural aberrations of chromosome 18. II. The 18q- syndrome. *Human-genetik* 26:123–132
71. Greene RM, Nugent P, Mukhopadhyay P, Warner DR, Pisano MM (2003) Intracellular dynamics of Smad-mediated TGF β signaling. *J Cell Physiol* 197:261–271
72. Blobe GC, Schiemann WP, Lodish HF (2000) Role of transforming growth factor beta in human disease. *N Engl J Med* 342:1350–1358
73. Proetzel G, Pawlowski SA, Wiles MV, Yin M, Boivin GP, Howles PN, Ding J, Ferguson MW, Doetschman T (1995) Transforming growth factor- β 3 is required for secondary palate fusion. *Nat Genet* 11:409–414
74. Kaartinen V, Voncken JW, Shuler C, Warburton D, Bu D, Heisterkamp N, Groffen J (1995) Abnormal lung development and cleft palate in mice lacking TGF- β 3 indicates defects of epithelial-mesenchymal interaction. *Nat Genet* 11:415–421
75. Taya Y, O’Kane S, Ferguson MW (1999) Pathogenesis of cleft palate in TGF- β 3 knockout mice. *Development* 126:3869–3879