

Division of labor by dual feedback regulators controls JAK2/STAT5 signaling over broad ligand range

Julie Bachmann^{1,7}, Andreas Raue^{2,3,7}, Marcel Schilling^{1,7}, Martin E Böhm⁴, Clemens Kreutz^{2,3}, Daniel Kaschek², Hauke Busch³, Norbert Gretz⁵, Wolf D Lehmann⁴, Jens Timmer^{2,3,6} and Ursula Klingmüller^{1,*}

¹ Division of Systems Biology of Signal Transduction, DKFZ-ZMBH Alliance, German Cancer Research Center, Heidelberg, Germany, ² Center for Biological Signaling Studies (BIOSS), Physikalisches Institut, University of Freiburg, Freiburg, Germany, ³ Freiburg Institute for Advanced Studies (FRIAS) and Zentrum für Biosystemanalyse (ZBSA), University of Freiburg, Freiburg, Germany, ⁴ Molecular Structure Analysis, German Cancer Research Center, Heidelberg, Germany, ⁵ Medical Research Center, Medical Faculty Mannheim, University of Heidelberg, Mannheim, Germany and ⁶ Department of Clinical and Experimental Medicine, Linköping University, Linköping, Sweden

⁷ These authors contributed equally to this work

*Corresponding author. Division of Systems Biology of Signal Transduction, DKFZ-ZMBH Alliance, German Cancer Research Center, Im Neuenheimer Feld 280, Heidelberg 69120, Germany. Tel.: +49 6221 42 4481; Fax: +49 6221 42 4488; E-mail: u.klingmueller@dkfz.de

Received 23.12.10; accepted 10.6.11

Cellular signal transduction is governed by multiple feedback mechanisms to elicit robust cellular decisions. The specific contributions of individual feedback regulators, however, remain unclear. Based on extensive time-resolved data sets in primary erythroid progenitor cells, we established a dynamic pathway model to dissect the roles of the two transcriptional negative feedback regulators of the suppressor of cytokine signaling (SOCS) family, CIS and SOCS3, in JAK2/STAT5 signaling. Facilitated by the model, we calculated the STAT5 response for experimentally unobservable Epo concentrations and provide a quantitative link between cell survival and the integrated response of STAT5 in the nucleus. Model predictions show that the two feedbacks CIS and SOCS3 are most effective at different ligand concentration ranges due to their distinct inhibitory mechanisms. This divided function of dual feedback regulation enables control of STAT5 responses for Epo concentrations that can vary 1000-fold *in vivo*. Our modeling approach reveals dose-dependent feedback control as key property to regulate STAT5-mediated survival decisions over a broad range of ligand concentrations.

Molecular Systems Biology 7: 516; published online 19 July 2011; doi:10.1038/msb.2011.50

Subject Categories: simulation and data analysis; signal transduction

Keywords: apoptosis; erythropoietin; mathematical modeling; negative feedback; SOCS

Introduction

Cells interpret information encoded by extracellular stimuli through the activation of intracellular signaling networks and link this to cellular decisions (Kholodenko *et al*, 2010). Feed-forward signaling events are counteracted by negative feedback mechanisms facilitating adaptation, stability and desensitization of input signals. Transcriptional feedback regulators that are induced as early genes have been identified as major constituent of signaling pathways such as DUSP family members for the MAPK cascade, Smad7 and Ski family members for the TGF β /Smad pathway and suppressor of cytokine signaling (SOCS) proteins for JAK/STAT signaling (Legewie *et al*, 2008). Importantly, these transcriptional feedback regulators are down-regulated in multiple carcinomas, implying a crucial role in constraining growth factor and cytokine-induced signaling (Freeman, 2000; Amit *et al*, 2007). Despite the ample knowledge of the individual components involved, only little is known about the specific contributions of these regulators in controlling dose-dependent dynamic properties of signaling networks in response to a broad range of input signals.

A prime example for a system that is exposed to extremely variable ligand concentrations is the erythroid lineage. Key regulator of erythropoiesis is the hormone erythropoietin (Epo) that facilitates continuous renewal of short-lived erythrocytes at low basal levels of ~ 15 mU/ml Epo, but also secures compensation of blood loss through an up to 1000-fold increase in hormone concentration in acute hypoxic conditions (Jelkmann, 2004). Epo binds to the hematopoietic cytokine receptor, the Epo receptor (EpoR), that is primarily present on erythroid progenitor cells, but recently also has been uncovered on tumor cells (Lappin *et al*, 2002; Lai *et al*, 2005; Liang *et al*, 2010). In the erythroid lineage signaling through the EpoR is essential for survival, proliferation and differentiation of erythroid progenitor cells at the colony forming unit erythroid (CFU-E) stage. Stimulation of these cells with Epo leads to rapid but transient activation of receptor and JAK2 phosphorylation followed by phosphorylation of the latent transcription factor STAT5. The role of STAT5a/b in erythropoiesis has been controversially discussed, but evidence based on the analysis of STAT5^{AN/AN} mice that express partially functional STAT5a/b proteins and mice completely

deficient of STAT5a/b (Socolovsky *et al*, 1999; Cui *et al*, 2004; Yao *et al*, 2006; Kerenyi *et al*, 2008) suggests that STAT5 is a crucial regulator of survival and differentiation in erythroid progenitor cells. Initial studies showed that erythroid cells expressing STAT5^{ΔN/ΔN}, the hypomorphic STAT5a/b proteins, exhibit elevated rates of apoptosis due to a failure of *Bcl-xL* upregulation (Socolovsky *et al*, 2001). Subsequently, generated STAT5a/b^{-/-} mice displayed fatal defects in all lymphoid lineages, suffered from microcytic anemia due to enhanced apoptosis and died prenatally (Zhu *et al*, 2008). Recently, it was shown that STAT5 can enable erythropoiesis even in the absence of EpoR and JAK2 underscoring the essential role of STAT5 in regulating apoptosis and differentiation in erythropoiesis (Grebien *et al*, 2008). However, a quantitative link between dynamic properties of STAT5 signaling and survival decisions remained to be established.

The STAT5-mediated responses in CFU-E cells are modulated by multiple attenuation mechanisms that operate on different time scales. Fast-acting mechanisms such as depletion of Epo by rapid receptor turnover (Becker *et al*, 2010) and recruitment of the phosphatase SHP-1 (Klingmüller *et al*, 1995) control the initial signal amplitude at the receptor level. Transcriptional feedback regulators such as SOCS family members operate at a slower time scale and the precise impact on the kinetics of STAT5 signaling has not yet been determined. Among the eight known SOCS family members, four have been proposed in studies primarily performed with transformed (erythro-) leukemic cell lines as putative transcriptional negative regulators involved in attenuation of EpoR-JAK2/STAT5 signaling. They include cytokine-induced SH2-domain containing protein (CIS), SOCS1, SOCS2 and SOCS3 (Yoshimura *et al*, 1995; Jegalian and Wu, 2002; Sarna *et al*, 2003). Furthermore, overexpression of CIS in erythroid progenitor cells has been shown to inhibit STAT5-mediated survival signals (Ketteler *et al*, 2003). Although the inhibitory mechanisms of these proteins are well characterized and are partially distinct (Endo *et al*, 1997; Matsumoto *et al*, 1997; Sasaki *et al*, 2000), a major open question was whether they have redundant or specific functions in restraining STAT5 signaling in erythroid progenitor cells.

Recently, several kinetic models of JAK/STAT signaling pathways have been established. The majority of these studies rely on previously published data and simulations focusing on control mechanisms of the IFN activated JAK1/JAK2/STAT1 pathway and feedback by SOCS1 (Zi *et al*, 2005; Soebiyanto *et al*, 2007) or robustness in the JAK/STAT1 pathway (Shudo *et al*, 2007). Up to now only few studies combine quantitative data with mathematical models. Examples are a core model of JAK2/STAT5 signaling investigating nucleo-cytoplasmic shuttling (Swameye *et al*, 2003) and an IFN α -induced model investigating a positive feedback loop (Maiwald *et al*, 2010). Understanding how transcriptional negative feedback proteins specifically regulate JAK/STAT pathway dynamics and the extent of cellular responses requires mathematical models that combine extensive time-resolved biochemical and phenotypic data.

In this study, we establish a transcriptional feedback model of JAK2/STAT5 signaling in primary erythroid progenitor cells and demonstrate that the STAT5 response integrated over time is quantitatively linked to survival decisions. Applying the model, we dissect the divided function of CIS and SOCS3 that

enables to confine STAT5 phosphorylation levels at distinct ligand concentration levels. Our results imply that dual feedback regulation ensures stringent and fine-tuned control of cell survival decisions over the entire broad spectrum of physiologically relevant Epo concentrations.

Results

Transcription-dependent regulation of STAT5 steady-state phosphorylation level

To examine the impact of transcriptional feedback regulation on Epo-induced JAK2-STAT5 signaling, we used the generic inhibitor of transcription actinomycin D and monitored the time-dependent activation of the signaling network in primary erythroid progenitors at the CFU-E stage. To confirm the effect of the actinomycin D treatment, the expression of the known Epo-induced negative regulator CIS was monitored exemplarily by quantitative immunoblotting (Figure 1A and B). Stimulation with Epo during 3 h of observation leads to transient phosphorylation of EpoR, JAK2 and STAT5 with rapid kinetics, followed by a decrease to a residual steady-state level. A comparison of time course data in the presence and absence of inhibitor demonstrated that the steady-state phosphorylation level of STAT5 is elevated in actinomycin D-treated cells, indicating that attenuation of this species involves *de novo* gene transcription. The phosphorylation kinetics of the upstream signaling components, EpoR and JAK2, however, showed no major effects compared with the profile of the untreated control. These results imply that transcriptional feedback regulators induced as immediate early genes have a central role in modulating the phosphorylation kinetics of STAT5.

Sustained induction of the transcriptional feedback regulators CIS and SOCS3 in primary CFU-E cells

To identify the relevant transcriptional feedback regulators that are involved in attenuation of Epo-induced JAK2-STAT5 signaling in addition to CIS, we performed genome-wide expression profiling. Murine CFU-E cells were stimulated with Epo and the time-resolved mRNA expression profiles were analyzed to identify significantly upregulated negative feedback regulators of the JAK-STAT signaling pathway (Figure 1C; Supplementary Figure S1). The results revealed that among the eight known SOCS proteins exclusively CIS and SOCS3 showed rapid and permanent upregulation at the mRNA level in particular within the first hour, which is consistent with the presence of STAT5 consensus binding sites in the promoters of these two genes (Matsumoto *et al*, 1997; Emanuelli *et al*, 2000). In contrast to studies in other cells that reported upregulation of additional SOCS transcripts upon Epo stimulation (Jegalian and Wu, 2002), neither SOCS1 nor SOCS2 mRNA induction was detected in the first hours after stimulation in CFU-E cells. This suggests that other SOCS members are either primarily expressed in transformed cell lines or as hypothesized by Sarna *et al* (2003) may be induced at other stages during erythroid maturation. The slight upregulation of SOCS2 mRNA after ~20 h supports the latter hypothesis.

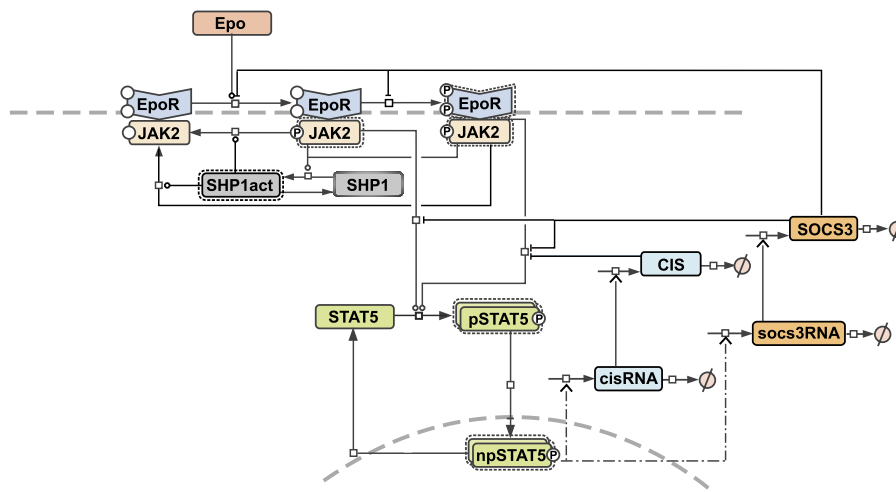


Figure 2 Mathematical model of dual negative feedback regulation of JAK2-STAT5 signaling. The model is represented as process diagram and reactions are modulated by enzyme catalysis (circle-headed lines) or inhibition (bar-headed lines). Dashed-dotted lines indicate delayed reactions used for RNA transcription. Prefix 'p' represents phosphorylated species and 'n' represents nuclear species. Binding of the ligand Epo to its cognate receptor results in phosphorylation of JAK2, which becomes activated. In a second step, EpoR is phosphorylated in the complex EpoRpJAK2. The pEpoRpJAK2 complex was modeled by considering different subclasses of phosphorylated tyrosines at the receptor (see Supplementary Material Section 2.2). STAT5 is recruited by pEpoR and phosphorylated by pJAK2, dimerizes and translocates to the nucleus. As target genes of STAT5, the negative feedback proteins CIS and SOCS3 are expressed, which inhibit the pathway. For an extended model description, see Supplementary information.

cycle of activation, STAT5 is dephosphorylated and exported from the nucleus into the cytoplasm in our model by a single reaction. Since various phosphatases are known to facilitate dephosphorylation of STAT5 in the nucleus and cytoplasm (Aoki and Matsuda, 2000; Yu *et al*, 2000; Hoyt *et al*, 2007), we assumed constitutive inactivation of STAT5 during traffic from nucleus to cytoplasm (npSTAT5 → STAT5).

Based on our experimental evidence shown in Figure 1, the STAT5 target genes *CIS* and *SOCS3* were included in the model as transcriptional feedback regulators. The production of *SOCS3* and *CIS* transcripts was modeled using a delay that is based on the linear chain trick (MacDonald, 1976). Based on their previously identified molecular mechanisms of inhibition, the effect of *CIS* and *SOCS3* was included in the model. *CIS* was considered as inhibitor of STAT5 activation mediated by the pEpoRpJAK2 complex, because it competes with STAT5 for the same pTyr binding site on the receptor. In contrast, *SOCS3* is known to bind directly to JAK2 and inhibit JAK2 activation and downstream events, i.e., phosphorylation of EpoR and STAT5. Additionally, it can bind to the phosphorylated EpoR and inhibit the recruitment of STAT5 to the specific pTyr binding sites on the EpoR as described before for *CIS*. Therefore, *SOCS3* in the model attenuates STAT5 phosphorylation mediated by both EpoRpJAK2 and pEpoRpJAK2. (A detailed description with references is provided in the Supplementary Material Section 2.2.) Although the effect of JAK2 inhibition by transcriptional feedback regulators was not significant as shown in Figure 1, we included the inhibition of JAK2 by *SOCS3* since the effect could be obscured by other attenuation mechanisms, i.e., deactivation of JAK2 by SHP-1. To reduce the model complexity to the requirements of our biological question, which is important for achieving structurally and practically identifiable model parameters (Raue *et al*, 2009; Chen *et al*, 2010), we systematically eliminated short-lived protein–protein complexes and fast reactions. Finally, the

model comprised 29 parameters describing 36 reactions and 86 nuisance parameters, such as scaling and offset parameters of the experimental data. Considering the total of 541 experimental data points the estimation uncertainties of the model parameters are small enough to allow for accurate model predictions (see Supplementary Material Section 2.5).

Calibration of the dual transcriptional feedback model

To estimate the model parameters multiple data sets of Epo-induced JAK2/STAT5 signaling were acquired in primary CFU-E cells using three different experimental techniques for quantitative data generation. By quantitative immunoblotting, the time-resolved activation kinetics of the experimental observables phosphorylated and total EpoR and JAK2, phosphorylated and total STAT5 as well as induction of *CIS* and *SOCS3* expression were monitored (Figure 3A). Furthermore, the initial values of all proteins were determined (Supplementary Figure S3; Supplementary Table S1) and dose–response experiments were performed by determining the phosphorylation levels at the time point of maximal activation for different Epo concentrations (Supplementary Figures S20–S23). Since for phosphorylated proteins only relative values were obtained by immunoblotting, we used quantitative mass spectrometry (MS) with isotope-labeled standard peptides to determine site-specific phosphorylation degrees of STAT5 (Figure 3B; Supplementary Figure S4). Both STAT5a and STAT5b are activated in response to Epo stimulation and share functional roles in erythroid cells. Therefore, we performed MS analysis on STAT5b as representative for both isoforms. This approach revealed that after 10 min of Epo stimulation 73% of STAT5 molecules are phosphorylated on Tyr694. In combination with the absolute

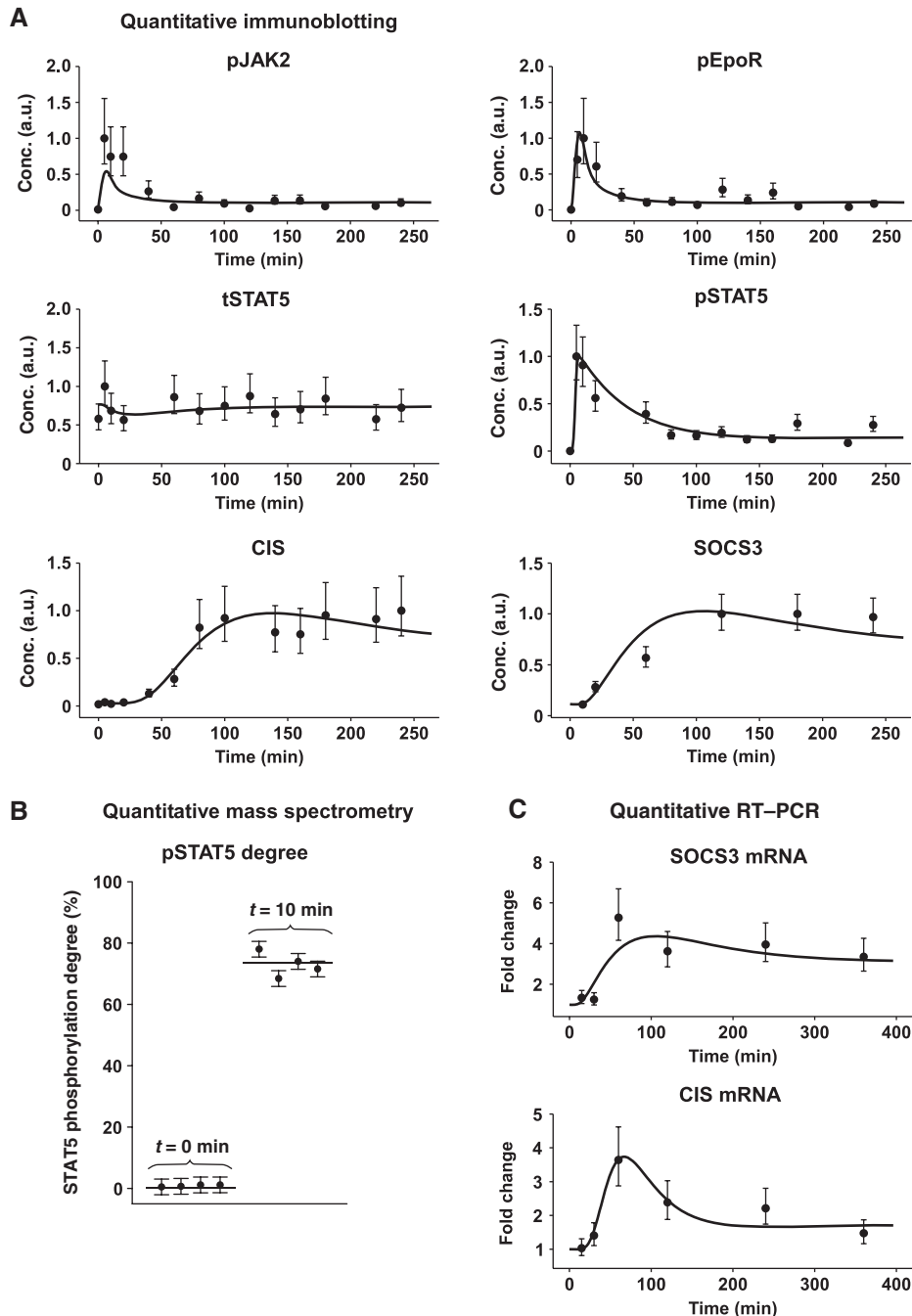


Figure 3 Model calibration with experimental data of JAK2-STAT5 signaling obtained by different experimental techniques. For all experiments, primary CFU-E cells were starved and stimulated with 5 U/ml Epo. At the indicated time points, samples were subjected to **(A)** quantitative immunoblotting, **(B)** mass spectrometry analysis or **(C)** qRT-PCR. Experimental data (black circles) with estimated standard errors and trajectories of the best fit (solid lines) are represented. Mass spectrometry data represent replicates of four independent experiments. (For additional experimental data used for the model calibration, see Figure 4 and Supplementary Figures S11–S23.) In total, 531 data points representing 18 different experimental conditions were used for model calibration. Source data is available for this figure at www.nature.com/msb.

values of the total proteins that were determined by quantitative immunoblotting, total concentrations of phosphorylated STAT5 were calculated with the model. Additionally to the observations at the protein level, expression kinetics of CIS and SOCS3 were determined at mRNA levels using quantitative RT-PCR to validate the data from the microarray

experiments and to improve the temporal resolution at early time points for parameter estimation (Figure 3C).

To provide the required information content necessary to disentangle the role of the dual negative feedback regulation, we also performed experiments applying specific perturbations. Time-resolved activation of the pathway was monitored

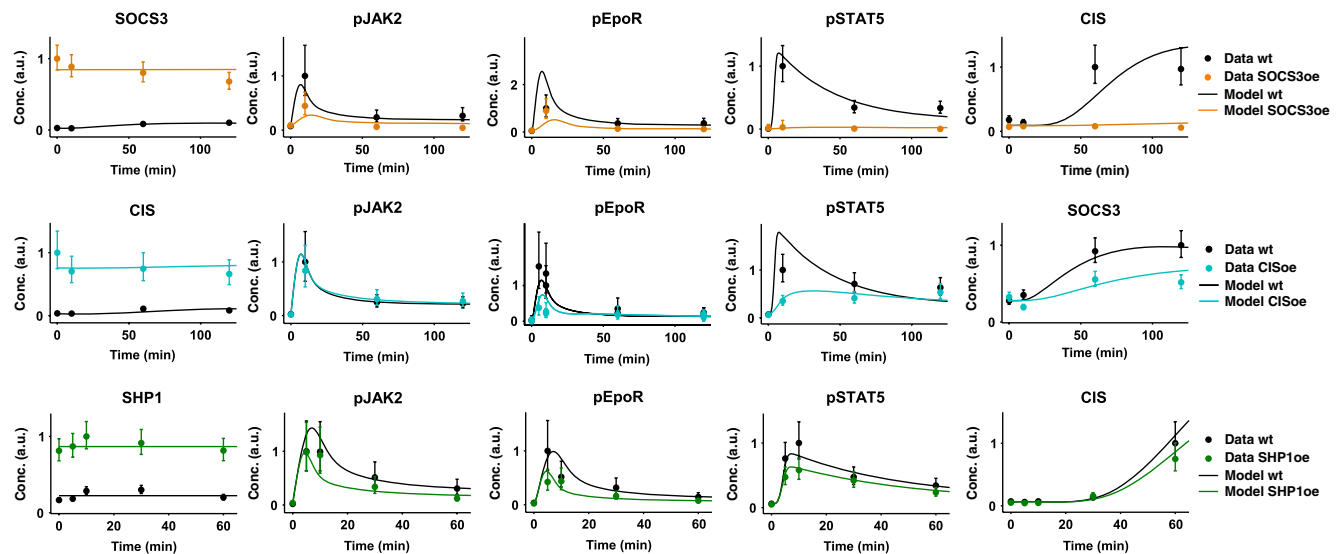


Figure 4 Experimental data of JAK2-STAT5 signaling under perturbed conditions used for model calibration. CFU-E cells were retrovirally transduced with SHP-1 (SHP1oe), SOCS3 (SOCS3oe) or CIS (CISoe). Positively transduced cells were starved and stimulated with 5 U/ml Epo for 60 or 120 min, respectively. Cellular lysates were subjected to immunoprecipitation and immunoblotting to determine activation profiles of JAK2-STAT5 pathway components for overexpression conditions compared with control cells. Trajectories of the best fit are indicated (solid lines) with experimental data (circles) and estimated standard errors. For pEpoR in the CIS overexpression experiment, two data sets were combined. (For further information and additional experimental data used for the model calibration, see Figure 3 and Supplementary Figures S11–S23.) Source data is available for this figure at www.nature.com/msb.

in primary CFU-E cells that overexpressed SHP-1, CIS or SOCS3 (Figure 4). We focused on overexpression since RNAi-mediated knockdown was not addressable with the currently available techniques in these cells (see Supplementary Material Section 1.2). The number of time points that could be examined was limited since in primary cells the retroviral transduction efficiency is quite low ($\sim 20\%$) and only positively transduced cells were used for the experiments. Since the level of the overexpressed proteins is high at the start of each experiment, already a reduction of the initial peak is observed in addition to the impact on the steady-state phosphorylation level. SOCS3 overexpression leads to a reduction in the phosphorylation of JAK2, whereas CIS overexpression does not have a major effect on JAK2 phosphorylation. This is in line with the previously proposed inhibitory mechanisms of both proteins, i.e., SOCS3 is blocking not only the binding of STAT5 to the receptor but can also inhibit JAK2 via its kinase inhibitory region (KIR) domain. CIS instead does not contain a KIR domain but is known to compete with STAT5 for binding to the EpoR phosphotyrosine 401 (Yoshimura *et al*, 1995; Ketteler *et al*, 2003).

Based on these data sets, the parameters were simultaneously estimated by maximizing the likelihood with the MATLAB implementation of the trust-region method with user supplied derivatives (Coleman and Li, 1996). In order to allow for normally distributed measurement noise the likelihood was evaluated in logarithmic concentration space (Kreutz *et al*, 2007). To account for uncertainties in the parameter estimates, the identifiability was investigated and 95% confidence intervals were calculated by applying the profile likelihood approach (Raue *et al*, 2009). The model parameters were structurally and, in most cases, also practically identifi-

able (see Supplementary Model Results 2.5). In summary, our dual feedback regulation model was able to adequately represent the experimental data sets for normal and perturbed conditions, dose-response behavior of various signaling components as well as mRNA expression and absolute phosphorylation amounts determined based on MS analysis.

Model-based prediction of integrated STAT5 response in the nucleus correlates with experimentally determined survival

Next, we applied the calibrated dual feedback regulation model to examine the link of the behavior of STAT5 and the two negative feedback regulators with regard to physiological responses of cells. Since STAT5 is known to induce anti-apoptotic target gene expression in CFU-E cells, we asked if a direct relationship exists between the amount of phosphorylated STAT5 in the nucleus (npSTAT5) and the extent of survival in CFU-E cells. We focused on the integral response, which is the area under the curve, because this entity captures both the kinetics and magnitude of the signal. It has been demonstrated that processes with slow kinetics (i.e., genetic networks and cell fate decisions) downstream of processes with fast kinetics (i.e., phosphorylation-based signaling networks) act as integrators capable of measuring how long the upstream signal has been on (Behar *et al*, 2007). Moreover, besides cytokine responses, in MAPK signaling the integral response of a transcription factor was used previously to link ERK activity and DNA synthesis (Asthaigiri *et al*, 2000). Using the dual feedback regulation model we could quantitatively assess the integral response of STAT5 even for very low Epo concentrations, which are intractable in experimental

approaches but are of important physiological significance. For instance, the STAT5 phosphorylation levels elicited by Epo concentrations lower than 0.1 U/ml are below the detection limit of immunoblotting experiments, but sufficient to promote cell survival. We predicted the trajectory of npSTAT5 response for wild-type cells and additionally for cells overexpressing either SOCS3 or CIS at different Epo concentrations and calculated the area under the curve. As an example of this procedure, the model prediction of the integral STAT5 response at a single Epo concentration is depicted (Figure 5A). As shown in the overlays of the different experimental conditions, SOCS3 overexpression is predicted to reduce the integral of npSTAT5 in the nucleus much more than overexpression of CIS.

To evaluate whether the predicted integral STAT5 response correlates with the extent of survival, we experimentally determined the percentage of apoptotic and viable primary

CFU-E cells using the terminal deoxynucleotidyl transferase-mediated dUTP nick end-labeling (TUNEL) assay in combination with flow cytometry at various Epo concentrations for wild-type and CIS or SOCS3 overexpressing cells. Here again, only four different Epo concentrations could be determined in CIS and SOCS3 overexpressing cells due to the low transduction efficiency that results in limited primary cell material. A representative example at $\text{Epo}=10^{-6.78}$ U/cell is displayed (Figure 5B), which demonstrates that SOCS3 overexpression affects survival to a larger extent than CIS considering similar overexpression levels (Supplementary Figure S5A).

To systematically test if npSTAT5 is the major factor that contributes to survival decisions, we additionally parameterized the contributions to the survival signal of the different pathway species (pEpoR, pJAK2, npSTAT5, CIS and SOCS3) in an additive way (see Supplementary Material Section 1.1). By comparing the contributions of various signaling components to the anti-apoptosis response, we detect that the npSTAT5 signal contributed >99%.

As apoptosis is an all-or-none decision, we performed simulations describing the effect of intrinsic (Supplementary Figure S8) and extrinsic stochasticity (Supplementary Figure S9) on npSTAT5. In both cases, the trajectory of npSTAT5 is rather negligibly affected by noise and does not show bistability. To further analyze the direct correlation between the integral response of phosphorylated STAT5 in the nucleus and the survival decision of erythroid progenitor cells (Figure 6C), we investigated the induction of anti-apoptotic target genes. First, global gene expression data were used to identify a panel of Epo-regulated anti-apoptotic genes. Among the preselected candidates (Bcl-xL, BIM, Bcl-2 and Pim-1) that were previously associated with Epo-dependent regulation, exclusively Pim-1 showed rapid and significant induction compared with untreated control cells (Supplementary Figure S7A). The dose-dependent behavior of Pim-1 (Supplementary Figure S7B) mirrored the behavior of the integral npSTAT5 response (Figure 6C) and continuously increased over different Epo doses in an averaged cell population. Thus, the integral of nuclear phosphorylated STAT5 correlates with Pim-1 induction, while the individual cell fate may be influenced by cell-to-cell variability (Spencer *et al*, 2009).

As the duration of nuclear activated STAT5 that is necessary to induce a survival response is unknown, we tested which integration time showed the strongest correlation with the experimentally determined survival. Interestingly, an integration time of ~60 min correlated best with the experimental results as demonstrated by the log-likelihood profile (Supplementary Figure S5B). The overlay of the simulated npSTAT5 response integrated for 60 min and the experimental survival data of CFU-E cells at various Epo concentrations demonstrate a close relationship of both quantities (Figure 5C). Since the model was calibrated with biochemical experiments, in which different cell densities were applied than in the apoptosis assays, Epo concentrations U/ml were converted to U/cell in order to achieve comparability of conditions. The different effects of SOCS3 and CIS overexpression were adequately reflected by the model considering the obtained confidence intervals for the parameter estimates and model trajectories (see Supplementary Model Results 2.5).

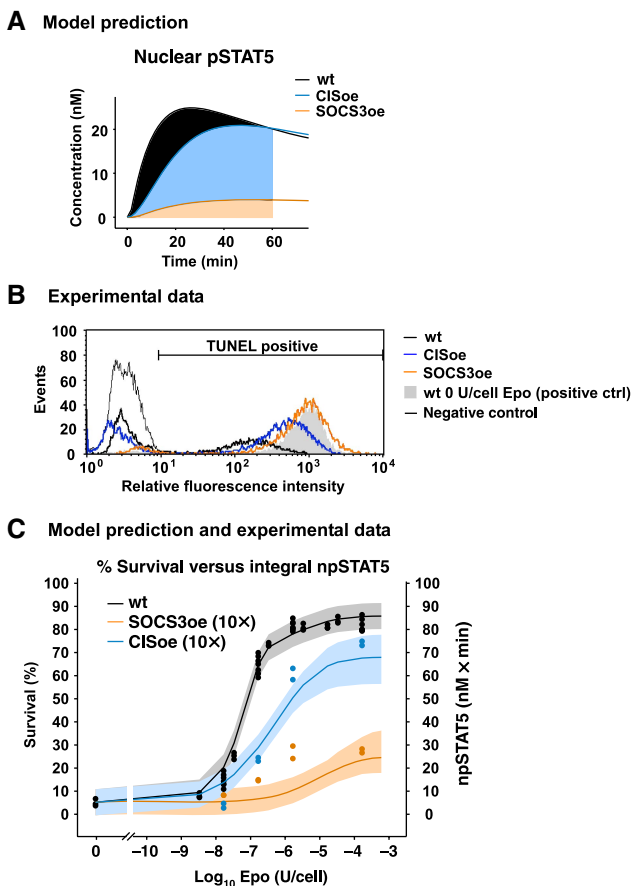


Figure 5 Linking the integral response of phosphorylated STAT5 in the nucleus to the survival rate of CFU-E cells. **(A)** The calibrated model was used to simulate the integral response of phosphorylated STAT5 in the nucleus (npSTAT5) over the broad physiological range of Epo concentrations in wild-type, CIS and SOCS3 overexpressing (oe) cells. A representative example at $\text{Epo}=10^{-6.78}$ U/cell is depicted. **(B)** TUNEL assay to determine the fraction of apoptotic cells. Wild-type CFU-E cells and cells overexpressing SHP-1, CIS or SOCS3 were cultured 24 h in various Epo concentrations. Histograms show the representative result of a TUNEL assay with $\text{Epo}=10^{-6.78}$ U/cell. Cells for positive control were treated with DNaseI for 10 min. **(C)** Overlay of scaled integral response of npSTAT5 (60 min) including 95% confidence bands (shades) and experimentally determined survival rates of CFU-E cells for wild-type cells, CIS and SOCS3 overexpressing cells (circles). Source data is available for this figure at www.nature.com/msb.

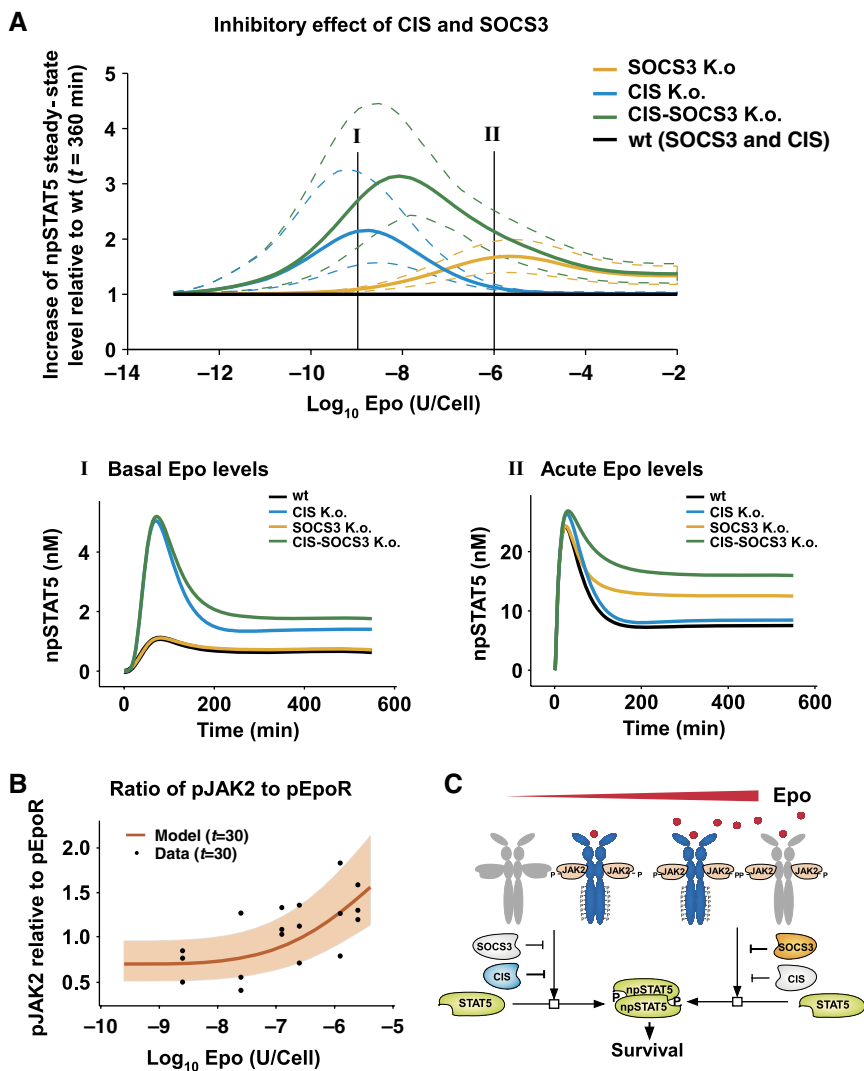


Figure 6 Dual negative feedback with divided function in JAK2-STAT5 signaling. **(A)** The steady-state level of phosphorylated STAT5 in the nucleus was simulated in the presence of only one transcriptional negative regulator, CIS or SOCS3, and in the absence of both. The increase of pSTAT5 steady-state levels was calculated relative to wild-type cells (black line) at $t=360$ min. Dashed lines indicate upper and lower 95% confidence bands for the prediction. For two exemplary Epo concentrations, (I) $\text{Epo}=10^{-9}$ U/cell and (II) $\text{Epo}=10^{-6}$ U/cell, the time profiles of npSTAT5 are shown. **(B)** Model prediction and experimental data for the increase of phosphorylated JAK2 relative to phosphorylated Epo receptor with rising Epo concentrations at $t=30$ min. **(C)** Mechanistic scheme explaining dual negative feedback with divided function in JAK2-STAT5 signaling for different Epo concentration ranges. The concentration dependency of the inhibitory effects of CIS and SOCS3 is caused by the increasing fraction of phosphorylated JAK2 compared with phosphorylated EpoR. At low Epo levels, CIS mostly impacts pEpoR-dependent STAT5 activation by preventing binding of STAT5 via its SH2 domain to the specific phosphotyrosine sites on the EpoR receptor. At high Epo concentrations, SOCS3 mostly impacts pJAK2-dependent STAT5 phosphorylation by inhibiting the activation of JAK2 via its kinase inhibitory region (KIR).

We concluded that the dual feedback regulation model captured the inhibitory effects of the negative feedback regulators over a broad Epo concentration range.

Distinct roles of feedback regulators facilitate control of STAT5 phosphorylation level over a broad Epo concentration range

Since CIS and SOCS3 inhibit the pathway by different mechanisms, we asked whether they might have distinct roles in controlling STAT5 phosphorylation over the entire range of physiological Epo concentrations that can vary by 1000-fold

(Jelkmann, 2004). To investigate the impact of the transcriptional feedback regulators CIS and SOCS3 on the STAT5 steady-state phosphorylation level, we calculated the fold change of STAT5 steady-state phosphorylation at 360 min post Epo stimulation for *in silico* cells lacking either both negative feedback regulators (CIS-SOCS3 K.o.) or solely CIS (CIS K.o.) or SOCS3 (SOCS3 K.o.) relative to phosphorylation level in wild-type cells (Figure 6A). The increase of the pSTAT5 steady-state level was simulated over a broad Epo concentration range per cell encompassing basal (I) as well as acute (II) conditions. Exemplarily, the impact of the absence of both feedback regulators or of both individually on the time course of STAT5 phosphorylation is depicted for basal and acute Epo

concentrations (Figure 6A, lower panels). As expected, we observed an increase in the pSTAT5 steady-state level for the double knockout simulation over the entire Epo range. Interestingly, the single knockout simulations revealed that CIS and SOCS3 have a distinct impact on pSTAT5 phosphorylation at different Epo concentrations. This was unexpected since both proteins are expressed to similar extents and time frames after stimulation with Epo doses applied in the experiments. At low Epo concentrations, the absence of CIS resulted in an increase in the amplitude and the steady-state level of STAT5 phosphorylation while the absence of SOCS3 had no major impact. Conversely, at high Epo concentrations the steady-state level of STAT5 phosphorylation is increased in the absence of SOCS3 whereas CIS has no major effect. This synergistic action of the two feedbacks allows adjusting STAT5 phosphorylation levels over the entire concentration range of physiological Epo concentrations from basal levels up to extremely high values that occur under acute hypoxic stress.

To gain insights into the underlying molecular mechanism of this dose-dependent inhibitory effect of CIS and SOCS3, we investigated the model structure and dynamics of each species of the pathway. By analyzing the components in dependence of ligand doses, we identified the observable pJAK2 relative to pEpoR as a potential explanation for the different inhibitory effects dependent on the Epo dose. With rising Epo concentrations the ratio of pJAK2 to pEpoR changes, because more JAK2 is phosphorylated relative to the EpoR (Supplementary Figure S6). To provide experimental evidence for this model hypothesis, we compared dose responses of pJAK2 relative to the response of pEpoR determined by immunoblotting with the model predictions (Figure 6B). Interestingly, we observed that the model simulation of increasing pJAK2 relative to pEpoR is in good agreement with the experimentally determined ratio of both quantities at 30 min with rising Epo concentrations. Since SOCS3 is inhibiting the activation of STAT5 via both pJAK2 and pEpoR whereas CIS only blocks binding of STAT5 to the EpoR, the impact of SOCS3 increases with increasing ratio of pJAK2 versus pEpoR. Taken together, these data and the model suggest that SOCS3 inhibition becomes more important with the relative increase of JAK2 phosphorylation and thus at higher Epo doses (Figure 6C). CIS instead inhibits the binding of STAT5 to EpoR; and thus, its inhibitory effect dominates for lower Epo doses, when the ratio of pJAK2 to pEpoR is not enhanced.

Discussion

Based on extensive time-resolved data sets in primary erythroid progenitor cells and mathematical modeling, we dissected the different contributions of the two feedback regulators CIS and SOCS3 and identified dual transcriptional feedback effective at discrete ligand concentrations as key property of the EpoR-STAT5 signaling system. This result underlines the general principle of negative feedback regulation to increase control and stability of transcriptional responses over a broad range of input values (Becskei and Serrano, 2000; Freeman, 2000). Our observation that multiple feedbacks are necessary to orchestrate tight regulation of transcription factor activity from very low to very high ligand

doses suggests a new strategy of SOCS-mediated feedback control.

Most of the previous JAK/STAT models have a complex structure comprising a large number of variables and literature-based parameters (Yamada *et al*, 2003; Zi *et al*, 2005; Soebiyanto *et al*, 2007). In this work, as an alternative modeling strategy, a bottom-up approach was employed, which aims at fully identifiable parameters that are essential to obtain models with high predictive power (Bruggeman *et al*, 2002; Aldridge *et al*, 2006). We therefore employed a large set of data measured under different perturbation conditions in combination with a model structure comprising the minimal number of parameters necessary to explain the data. Parameter identifiability was analyzed by the profile likelihood approach (Raue *et al*, 2009). Applying this method, we could establish a dual negative feedback model of JAK2-STAT5 signaling with structurally and in most cases also practically identifiable parameters.

Qualitatively, the important role of STAT5 as crucial regulator of survival and differentiation of erythroid progenitor cells has been established previously (Socolovsky *et al*, 2001; Yao *et al*, 2006; Grebien *et al*, 2008; Zhu *et al*, 2008). We demonstrate that the calculated integrated response of pSTAT5 in the nucleus accurately correlates with the experimentally determined survival of CFU-E cells, thereby providing a quantitative link of the dependency of primary CFU-E cells on pSTAT5 activation dynamics. In line with this, a recent study that quantitatively determined pSTAT5 activity levels in IL-2 induced single T cells reported on a causal link between enhanced pSTAT5 levels and decreased cell death (Feinerman *et al*, 2010). We concluded that fine-tuned changes in STAT5 activation levels are a critical determinant for cell fate decisions. This observation is also true during an earlier differentiation stage of the erythroid lineage. A previous study showed that partial depletion of STAT5 from CD34+ cells by a lentiviral RNAi approach in the presence of thrombopoietin and stem cell factor resulted in a decrease of erythroid progenitors (BFU-E). Conversely, overexpression of an activated STAT5a mutant strongly induced erythroid differentiation (Olthof *et al*, 2008).

Our finding that the integral of npSTAT5 is a good predictor for survival does not imply that survival is exclusively depending on STAT5. The integral of STAT5 activity in the nucleus transfers quantitative information about extracellular ligand concentrations to downstream signals, i.e., expression of anti-apoptotic target genes such as *Pim-1* that contribute to the ultimate cellular response. Additional pro-survival factors such as the PI3K/AKT pathway that have been shown previously to be involved in prevention of apoptosis in CFU-E cells (Bouscary *et al*, 2003) may also contribute. However, overexpression of constitutively active AKT could not substitute for the apoptosis-suppressing function of the EpoR-STAT5 pathway in JAK2^{-/-} erythroid cells (Ghaffari *et al*, 2006). Hence, though we cannot rule out the involvement of other pathways, our study underlines the direct relationship of the integral STAT5 response and survival decisions of primary erythroid progenitor cells.

A major bottle-neck in combining signal transduction events with cellular phenotypes is the discrepancy in the time scale and stimuli concentrations that are applied in the different

experiments. The sensitivity of biochemical assays to determine phosphorylation events within minutes or hours after stimulation is usually lower than the threshold of sensitivity in assays to determine the physiological response after one or more days. By employing our mathematical model, we were able to compute the integrated response of STAT5 at Epo concentrations that are beyond the threshold of biochemical experiments. This allowed us to directly link the activation status of the transcription factor with a cellular response. By correlation analysis, we could identify the early signaling phase (≤ 1 h) of STAT5 to be most predictive for survival decisions, which was determined ~ 24 h later. Interestingly, an earlier study that investigated a compendium of signaling pathways and responses in TNF-, EGF- and insulin-treated HT-29 cells revealed similar results in the predictability of apoptosis-survival cell fate decisions by early signaling events (Gaudet *et al*, 2005). The authors report that early signaling events between 5 and 90 min immediately downstream of the receptors were more predictive than 2–8 h, presumably because information is forwarded to downstream transcriptional events. Thus, we hypothesize that as a general principle in apoptotic decisions, ligand concentrations translated into kinetic-encoded information of early signaling events downstream of receptors (≤ 1 h) can be predictive for survival decisions 24 h later.

We could show by experimental data and mathematical modeling that SOCS3 and CIS reduce the steady-state STAT5 phosphorylation level after ~ 1 h of stimulation. Our results at a single Epo concentration are consistent with other studies that investigated the regulation of STAT phosphorylation dynamics by SOCS proteins. As one example, SOCS3 that is induced upon IL-6 stimulation controls the late phosphorylation profile of STAT1 and STAT3 in the liver. This was shown in an experimental study using a conditional SOCS3 knockout, which resulted in enhanced phosphorylation of STATs, although the amplitude was unaffected (Croker *et al*, 2003). The importance for adjusting the steady-state phase of transcription factor activity by transcriptional feedback regulators was shown also for other signaling pathways. EGF-induced ERK signaling in HeLa cells is increased 1 h after stimulation when translation is blocked by cycloheximide (Amit *et al*, 2007). This temporal regulation pattern, including short-term deactivation by constitutively expressed phosphatases and late-phase modulation by slow transcriptional feedbacks may evolve as a general paradigm for tightly controlled cytokine-induced signaling pathways (Legewie *et al*, 2008). The existence of multiple overlapping feedback regulation mechanisms, each with distinct temporal characteristics, ensures the effective control of the signaling dynamics to appropriately fine-tune cellular responses.

The fact that one or two SOCS family members are induced upon stimulation appears to be a general principle in cytokine-induced signaling, although there is no simple relationship between a particular cytokine and the pattern of respectively induced SOCS mRNAs (Krebs and Hilton, 2001). Induced in a cell type-specific and cytokine-dependent manner, SOCS proteins can distinctively coordinate cytokine-induced responses. A prime example for the evidence that two SOCS proteins uniquely attenuate STAT dynamics is the study of Wormald *et al* (2006) showing that SOCS1 and SOCS3 regulate

STAT1 and STAT3 phosphorylation dynamics with different kinetics. Yet, the impact of different ligand concentrations has not been considered so far. By using model simulations to analyze the inhibitory effects of CIS and SOCS3 on the STAT5 phosphorylation level at previously unobserved Epo concentrations, our results revealed that the two feedbacks are most effective at different Epo concentration ranges. Conventional experimental techniques, however, cannot resolve the entire dynamic range of ligand concentrations. According to our mathematical model, the major role of CIS is modulating STAT5 phosphorylation levels at low, basal Epo concentrations, whereas SOCS3 is essential to control the STAT5 phosphorylation levels at high Epo doses.

As potential molecular mechanism of this dose-dependent inhibitory effect, we could identify the quantity of pJAK2 relative to pEpoR that increases with higher Epo concentrations. Since SOCS3 can inhibit JAK2 directly via its KIR domain to attenuate downstream STAT5 activation, SOCS3 becomes more effective with the relative increase of JAK2 activation. These observations are further supported by the CIS and SOCS3 overexpression experiments that showed the strong inhibition of JAK2 phosphorylation only by SOCS3 in primary CFU-E cells. Moreover, in cells overexpressing SOCS3 the STAT5 phosphorylation level was more extensively reduced and survival was more decreased than in CIS overexpressing cells considering similar overexpression levels.

Our findings raise the question why it is important for the cell to tightly control the long-term steady-state signaling level of STAT5 by transcriptional feedback regulators over the entire range of high and low Epo doses although the first hour of STAT5 activation is predictive for the survival decision. We hypothesize that when the decision for survival has occurred, it is essential to constrain signaling to a residual steady-state level in order to prevent aberrant events that could lead to uncontrolled erythroid progenitor growth. Constitutive phosphorylation of the JAK2/STAT5 pathway caused by activating JAK2 mutations has a crucial role in the onset of polycythemia vera (PV), a disease that is characterized by the formation of endogenous colonies with Epo-independent differentiation (Prchal and Axelrad, 1974; Weinberg *et al*, 1989; Kota *et al*, 2008). Moreover, human erythroid progenitor cells transduced with a constitutive phosphorylated form of STAT5 were reported to survive, proliferate and differentiate in the absence of Epo and in this way mimic the PV phenotype. The essential requirement for progenitor cells to tightly constrict the Epo input signal after 1 h of stimulation over the broad range of physiological Epo concentrations that can vary over 1000-fold is already apparent at the upstream receptor level. Different studies have shown that activation of EpoR and JAK2 is rapidly terminated within the first hour by dephosphorylation as well as internalization and degradation of Epo (Gross and Lodish, 2006; Becker *et al*, 2010).

We propose that the transcriptional feedback proteins CIS and SOCS3 are required to tightly adjust the phosphorylation level of STAT5 after 1 h of stimulation. This hypothesis is supported by reports demonstrating the crucial role of SOCS3 in embryonic development. Mice lacking the *SOCS3* gene exhibit embryonic lethality at days E12–16. Marine *et al* (1999) showed that these mice display erythrocytosis with dramatic expansion of erythropoiesis within the fetal liver as well as

throughout the embryo. Roberts *et al* (2001) demonstrated that the death is associated with abnormalities in the placenta. Vice versa, enforced expression of SOCS3 *in vivo* specifically suppressed fetal liver erythropoiesis (Marine *et al*, 1999). Moreover, a loss-of-function mutation of SOCS3 has been proposed to contribute to the onset of myeloproliferative disease in PV patients (Suessmuth *et al*, 2009). In cancer, high input doses are mimicked by aberrant activation of JAKs that are frequently mutated in many tumor cells. Interestingly, there are numerous recent studies showing that in several malignant tumors JAK activating mutations are complemented by gene silencing of SOCS3 and SOCS1, the two SOCS members which contain a KIR domain (He *et al*, 2003; Chim *et al*, 2004; Johan *et al*, 2005; Jost *et al*, 2007). This underlines the essential role of SOCS3 to control high input doses. Thus, the absence of SOCS3 severely impacts the growth and survival of erythroid progenitor cells and is essential to abrogate signaling downstream of the EpoR at long-term steady-state phosphorylation levels upon high upstream input conditions.

In contrast to SOCS3, our model predicts that CIS acts most efficiently at a single point of the network at low ligand concentrations. This is line with other reports that demonstrated the major role of CIS as a specific competitive binding inhibitor of STAT5 at the pY401 position of the EpoR (Matsumoto *et al*, 1997; Verdier *et al*, 1998; Ketteler *et al*, 2002). The specific inhibition of STAT5-mediated responses by CIS is also supported by transgenic mice that overexpress CIS. These animals display diminished expression of STAT5-mediated responses in growth hormone and prolactin signaling, similar to STAT5^{ΔN/ΔN} knockout mice (Matsumoto *et al*, 1999). In contrast to SOCS3 knockout mice, CIS knockout mice are viable, but show an increase in hematopoietic progenitor cells (Kubo *et al*, 2003), which is in line with our model prediction of CIS as modulator of fine-tuned pSTAT5 responses at basal level Epo input.

In summary, our mathematical approach provided new insights into the specific function of feedback regulation in STAT5-mediated life or death decisions of primary erythroid cells. We dissected the roles of the transcriptionally induced proteins CIS and SOCS3 that operate as dual feedback with divided function thereby facilitating the control of STAT5 activation levels over the entire range of physiological Epo concentrations. The detailed understanding of the molecular processes and control distribution of Epo-induced JAK/STAT signaling can be further applied to gain insights into alterations promoting malignant hematopoietic diseases.

Materials and methods

Isolation of TER119⁻ erythroid progenitor cells at the CFU-E stage from murine fetal livers

At E13.5 Balb/c mouse embryos were dissected from the uterus of killed females. Fetal livers were resuspended in PBS/0.3% BSA and passed through a 40- μ m cell strainer (BD Biosciences). Fetal liver cells (FLCs) were treated with 10 ml Red Blood Cell Lysis Buffer (Sigma-Aldrich) to remove erythrocytes. For sorting TER119⁻ erythroid progenitors, FLCs were incubated with rat antibodies against the following surface markers: GR1, CD41, CD11b, CD14, CD45R/B220, CD4 and CD8 (BD Pharmingen); Ter119 (gift from Albrecht Müller,

Würzburg, Germany); and with YBM/42 (gift from Suzanne M Watt, Oxford, UK) for 20 min at 4°C. After washing, cells were incubated for 20 min at 4°C with anti-rat antibody-coupled magnetic beads and negatively sorted with MACS columns according to the manufacturer's instructions (Miltenyi Biotech). Sorted CFU-E cells were cultivated for 12–14 h in IMDM (Invitrogen), 30% fetal calf serum (FCS), and 50 μ M β -mercaptoethanol supplemented with 0.5 U/ml Epo (Cilag-Jansen).

Microarray analysis

Freshly sorted CFU-E cells were starved for 1 h in Panserin 401 (Pan Biotech) supplemented with BSA and 50 μ M β -mercaptoethanol. Subsequently, cells were stimulated with 0.5 U/ml Epo or left untreated and RNA was extracted at different time points (0, 1, 2, 3, 4, 5, 6, 7, 8, 14, 19 and 24 h after Epo stimulation and 0, 1, 2, 3, 4, 5, 6 and 7 h without Epo) using the RNeasy Mini Plus Kit (Qiagen). Gene expression analysis was conducted using Affymetrix Mouse Genome 2.0 GeneChip® Arrays (Affymetrix).

Normalization was performed in the R environment together with the Bioconductor toolbox (<http://www.bioconductor.org/>) using the Robust Multichip Average (RMA) for background adjustment, quantile normalization and summarization (Irizarry *et al*, 2003). Subsequent probe annotation was handled with the Affymetrix mouse4302 annotation package in Version 2.4.5. If multiple probes map to the same Gene ID, the one with the largest test inter-quartile range (IQR) among all time points was selected. The expression data were deposited in the GEO database under accession number GSE26151. All expression levels were log₂ transformed and gene fold expression was calculated with respect to the mean gene expression at 0 h. The error in fold expression ± 0.43 has been estimated from the sample IQR of the gene expression differences of the biological duplicates at 0 h.

Quantitative RT-PCR

Total RNA from 3×10^6 primary erythroid progenitor cells stimulated with 0.5 U/ml Epo was isolated using the RNeasy Mini Plus Kit (Qiagen) according to the manufacturer's instructions. For quantitative RT-PCR, cDNA was generated with the QuantiTect Reverse Transcription Kit (Qiagen) and analyzed using the LightCycler 480 with the hydrolysis-based Universal ProbeLibrary platform (Roche Diagnostics). Crossing point values were calculated using the Second Derivative Maximum method of the LightCycler 480 Basic Software (Roche Diagnostics). PCR efficiency correction was performed for each PCR set-up individually. Relative concentrations were normalized using *HPRT* as a reference gene. UPL Probes and primer sequences were selected with the Universal ProbeLibrary Assay Design Center (Roche Diagnostics). According to the manufacturer's instruction, the selected probes are intron spanning, thereby ensuring the amplification of fully matured mRNA. UPL Probes and primer sequences were CIS_for 5'-gacatggctcttgcgtaca-3', CIS_rev 5'-atgccccagtggtgaagg-3', Probe#1 5'-ctctggagc-3' and SOCS3_for 5'-attcgctctgggactagc-3', SOCS3_rev 5'-aactgctgtgggtgacct-3', Probe#83 5'-cagccacc-3'.

Plasmid constructs and retroviral transduction

cDNA of murine SOCS3, CIS or SHP-1 was cloned into pMOWSnrMCS (Schilling *et al*, 2009) to yield pMOWSnr-SOCS3, pMOWSnr-CIS and pMOWSnr-SHP-1, respectively. pMOWSnrMCS additionally contains LNGFR (Miltenyi Biotech) that allows for magnetic bead selection of positively transduced cells. CIS cDNA (Ketteler *et al*, 2003) was cloned using *EcoRI/NdeI* and SOCS3 was cloned by *BamHI/NdeI* digestion into pMOWSnrMCS. SHP-1 cDNA was cloned into pMOWSnrMCS by PCR amplification of pBS-mSHP-1 (kind gift of Lily Pao, Boston, MA, USA). Phoenix-eco packaging cells were transiently transfected using the calcium-phosphate method to produce retroviral particles. The retroviral particle-containing supernatant was harvested after 24 h and filtered through a 0.45- μ m filter (Millipore). 3×10^6 primary erythroid progenitor cells were transduced using 4.5 ml retroviral supernatant supplemented with 8 μ g/ml polybrene in a 6-well plate

and centrifuged for 3 h at 340 g and 37°C. Following spin-infection, cells were cultivated for 12–14 h in IMDM (Invitrogen), 30% FCS, 1% antibiotics and 50 μ M β -mercaptoethanol supplemented with 0.5 U/ml Epo (Jansen-Cilag). Positively transduced cells were selected using MACSelect LNGFR selection kit (Miltenyi Biotech) according to the manufacturer's instructions.

Time course experiments, cell lysis and quantitative immunoblotting

Erythroid progenitor cells were washed three times in medium and starved in Panserin 401 (Pan Biotech) supplemented with 50 μ M β -mercaptoethanol and 1 mg/ml BSA (Sigma-Aldrich) for 1 h. Subsequently, cells (4×10^7 /ml) were stimulated with 5 U/ml Epo (Janssen-Cilag) at 37°C and for each time point 0.5×10^7 CFU-E cells were lysed in $2 \times$ lysis buffer (2% NP40, 300 mM NaCl, 40 mM Tris-HCl pH 7.4, 20 mM NaF, 1 mM EDTA pH 8.0, 2 mM ZnCl₂ pH 4.0, 1 mM MgCl₂, 2 mM Na₃VO₄, 20% glycerol, 2 μ g/ml aprotinin and 200 μ g/ml AEBSF). Immunoprecipitation was performed by adding the respective antibody, Protein A or Protein G sepharose (GE Healthcare) and the corresponding calibrator protein GST-EpoR, SBP-JAK2, GST-STAT5b, SBP-CIS or SBP-SOCS3 to the lysates. Antibodies used were anti-EpoR M-20 (Santa Cruz), anti-JAK2 (Upstate/Millipore), anti-STAT5 C-17 (Santa Cruz), anti-SHP-1 C-19 (Santa Cruz), anti-CIS serum (Ketteler *et al*, 2003), anti-SOCS3 (Zymed) and for immunoblotting anti-pTyr 4G10 (Upstate/Millipore), anti-CIS N-19 (Santa Cruz) and anti-SOCS3 (Abcam) as well as secondary horseradish peroxidase coupled antibodies (anti-rabbit HRP, anti-mouse HRP, anti-goat HRP, protein A HRP; Amersham Biosciences). Sample loading on SDS-PAGE was randomized as described elsewhere (Schilling *et al*, 2005). Blots were developed using ECL Western Blotting Detection Reagents (GE Healthcare) and subsequently detected on a Lumi-Imager F1™ (Roche Diagnostics). Quantification was performed using the LumiAnalyst 3.1 software (Roche Diagnostics). Antibodies were removed by treating the blots with β -mercaptoethanol and SDS as described previously (Klingmüller *et al*, 1995).

Detection of apoptosis by TUNEL assay

Labeling of DNA strand breaks using the TUNEL assay and analysis by flow cytometry allows for quantitative analysis of apoptosis at single cell level. Briefly, cells (3×10^5 cells/ml) were starved 1 h and stimulated with different Epo concentrations over 20 h. 2×10^6 CFU-E cells were fixed in 2% paraformaldehyde and permeabilized with 0.1% Triton X-100, 0.1% sodium citrate for 2 min. The positive control was treated with DNase I (Roche Diagnostics) for 15 min. After washing with PBS/0.3% BSA, cells were resuspended in TUNEL reaction mixture (Roche Diagnostics) to label free 3'-OH groups of DNA. Fluorescein-dUTP incorporated in nucleotide polymers was detected and quantified by flow cytometry using the FACSCalibur (Becton Dickinson).

MS analysis

MS analyses were performed to measure site-specific phosphorylation degrees of STAT5b in starved unstimulated (0 min) and Epo-stimulated (10 min) murine CFU-E cells. Following immunoprecipitations of endogenous STAT5, proteins were separated on 1D-PAGE and stained with Coomassie SimplyBlue™ SafeStain (Invitrogen). After broad cutting, STAT5 bands were in-gel digested with trypsin as described (Seidler *et al*, 2009). MS analyses were performed using a nanoAcquity UPLC (Waters) coupled to a LTQ-Orbitrap XL (Thermo) as described (Seidler *et al*, 2010). Data were acquired using a Top3 Data-dependent acquisition: MS/MS spectra of the three most intense precursors with charge ≥ 2 were recorded. Site-specific phosphorylation degrees of STAT5b were determined by using a homologous and labeled one-source peptide/phosphopeptide standard (Hahn *et al*, 2010). For STAT5b, it was observed that the homologous standard pair used delivers virtually identical quantitative data compared with an isotopically labeled standard pair. MS data were analyzed using Xcalibur 2.0.6 and MASCOT 2.2.2.

Model simulation and parameter estimation

The ODE system consists of 25 dynamic variables and was solved by applying the CVODES solver (Hindmarsh *et al*, 2005) with an absolute and relative accuracy of 10^{-8} . The solver was compiled as C-executable for MATLAB together with ODE equations. The ODE system was evaluated for 24 different experimental conditions. For numerical efficiency, these 24 independent calculations of the ODE system were parallelized. Including all experimental settings the model consisted of 115 unknown parameters. Kinetic parameters depending on unknown concentration scales have been disentangled from the respective scaling parameters by suitable transformations (as described in the Supplement). This facilitates a more efficient estimation of the unknown scaling factors. In the case of mRNA measurements of CIS and SOCS3, no experimental information was available about the absolute concentrations. Taking into consideration the independence of the kinetic parameters from the scaling parameters due to the applied parameter transformations, the internal scale of these two mRNA components was fixed to one. Consequently, the model cannot provide predictions of absolute mRNA concentration. For the absolute concentration of the EpoR_JAK complex, a literature value was included as prior information for concentration scale of the receptor complex.

The model parameters were estimated by maximum likelihood estimation taking into account a total of 541 data points. To allow for global parameter estimates, we scanned the parameter space, beginning from reasonable initial guesses by taking into account the time scale of the measurements, over orders of magnitude along the profile likelihood (Raue *et al*, 2009). For each step in the calculation of the profile likelihood, we applied the MATLAB implementation of the trust-region method (lsqnonlin) with user supplied derivatives. For the calculation of the derivatives, the sensitivity equations (Leis and Kramer, 1988) were simultaneously solved together with the original ODE systems, which is featured by the CVODES solver efficiently. To improve convergence of the estimation and due to the positive definite nature of the parameters such as rate constant, initial concentrations, concentration offsets and scales, and noise magnitudes, the parameters were estimated in logarithmic parameter space. In order to provide for normally distributed measurement noise the likelihood was evaluated in logarithmic concentration space (Kreutz *et al*, 2007) transforming the mainly multiplicative nature of the noise to an additive one. The magnitude of the additive measurement noise was estimated simultaneously. For each experimental technique and, in the case of immunoblotting, for each detection antibody utilized, an individual noise parameter is included in the model. The calculations of the profile likelihood suggest that the global optimum has been found.

Supplementary information

Supplementary information is available at the *Molecular Systems Biology* website (www.nature.com/msb).

Acknowledgements

We thank Sandra Manthey, Susen Lattermann and Maria Saile for excellent technical assistance; Nao Iwamoto and Verena Becker for helpful discussions. We also thank Andrea C Pfeifer for providing information on the CFU-E cell volume. We acknowledge funding by German Federal Ministry of Education and Research (BMBF)-funded MedSys-Network LungSys (JB, AR, DK, MEB, HB, WL, JT and UK), the SBCancer network in the Helmholtz Alliance on Systems Biology (MS, WL, JT and UK), the EU FP6 project 'Computational Systems Biology of Cell Signalling' (LSHG-CT-2004-512060) (JB, JT and UK) and the Excellence Initiative of the German Federal and State Governments (HB, CK and JT).

Author contributions: JB performed experiments and wrote the manuscript; AR performed mathematical modeling and wrote the manuscript; MS performed experiments (Figure 6B; Supplementary Figures S16 and S17) and designed research; MEB and WDL carried out MS data generation and analysis (Figure 3B); CK and DK performed

statistical analysis; NG carried out microarray data generation; HB performed microarray data analysis (Figure 1C); JT and UK designed research and wrote the manuscript.

Conflict of interest

The authors declare that they have no conflict of interest.

References

- Aldridge BB, Burke JM, Lauffenburger DA, Sorger PK (2006) Physicochemical modelling of cell signalling pathways. *Nat Cell Biol* **8**: 1195–1203
- Amit I, Citri A, Shay T, Lu Y, Katz M, Zhang F, Tarcic G, Siwak D, Lahad J, Jacob-Hirsch J, Amariglio N, Vaisman N, Segal E, Rechavi G, Alon U et al (2007) A module of negative feedback regulators defines growth factor signaling. *Nat Genet* **39**: 503–512
- Aoki N, Matsuda T (2000) A cytosolic protein-tyrosine phosphatase PTP1B specifically dephosphorylates and deactivates prolactin-activated STAT5a and STAT5b. *J Biol Chem* **275**: 39718–39726
- Asthagiri AR, Reinhart CA, Horwitz AF, Lauffenburger DA (2000) The role of transient ERK2 signals in fibronectin- and insulin-mediated DNA synthesis. *J Cell Sci* **113** (Part 24): 4499–4510
- Barber DL, Beattie BK, Mason JM, Nguyen MH, Yoakim M, Neel BG, D'Andrea AD, Frank DA (2001) A common epitope is shared by activated signal transducer and activator of transcription-5 (STAT5) and the phosphorylated erythropoietin receptor: implications for the docking model of STAT activation. *Blood* **97**: 2230–2237
- Becker V, Schilling M, Bachmann J, Baumann U, Raue A, Maiwald T, Timmer J, Klingmüller U (2010) Covering a broad dynamic range: information processing at the erythropoietin receptor. *Science* **328**: 1404–1408
- Becskei A, Serrano L (2000) Engineering stability in gene networks by autoregulation. *Nature* **405**: 590–593
- Behar M, Hao N, Dohlmán HG, Elston TC (2007) Mathematical and computational analysis of adaptation via feedback inhibition in signal transduction pathways. *Biophys J* **93**: 806–821
- Bouscary D, Pene F, Claessens YE, Muller O, Chretien S, Fontenay-Roupie M, Gisselbrecht S, Mayeux P, Lacombe C (2003) Critical role for PI 3-kinase in the control of erythropoietin-induced erythroid progenitor proliferation. *Blood* **101**: 3436–3443
- Bruggeman FJ, Westerhoff HV, Hoek JB, Kholodenko BN (2002) Modular response analysis of cellular regulatory networks. *J Theor Biol* **218**: 507–520
- Chen WW, Niepel M, Sorger PK (2010) Classic and contemporary approaches to modeling biochemical reactions. *Genes Dev* **24**: 1861–1875
- Chim CS, Fung TK, Cheung WC, Liang R, Kwong YL (2004) SOCS1 and SHP1 hypermethylation in multiple myeloma: implications for epigenetic activation of the Jak/STAT pathway. *Blood* **103**: 4630–4635
- Coleman TF, Li Y (1996) An interior, trust region approach for nonlinear minimization subject to bounds. *SIAM J Optim* **6**: 418–445
- Crocker BA, Krebs DL, Zhang JG, Wormald S, Willson TA, Stanley EG, Robb L, Greenhalgh CJ, Forster I, Clausen BE, Nicola NA, Metcalf D, Hilton DJ, Roberts AW, Alexander WS (2003) SOCS3 negatively regulates IL-6 signaling *in vivo*. *Nat Immunol* **4**: 540–545
- Cui Y, Riedlinger G, Miyoshi K, Tang W, Li C, Deng CX, Robinson GW, Hennighausen L (2004) Inactivation of Stat5 in mouse mammary epithelium during pregnancy reveals distinct functions in cell proliferation, survival, and differentiation. *Mol Cell Biol* **24**: 8037–8047
- Emanuelli B, Peraldi P, Filloux C, Sawka-Verhelle D, Hilton D, Van Obberghen E (2000) SOCS-3 is an insulin-induced negative regulator of insulin signaling. *J Biol Chem* **275**: 15985–15991
- Endo TA, Masuhara M, Yokouchi M, Suzuki R, Sakamoto H, Mitsui K, Matsumoto A, Tanimura S, Ohtsubo M, Misawa H, Miyazaki T, Leonor N, Taniguchi T, Fujita T, Kanakura Y et al (1997) A new protein containing an SH2 domain that inhibits JAK kinases. *Nature* **387**: 921–924
- Feinerman O, Jentsch G, Tkach KE, Coward JW, Hathorn MM, Sneddon MW, Emonet T, Smith KA, Altan-Bonnet G (2010) Single-cell quantification of IL-2 response by effector and regulatory T cells reveals critical plasticity in immune response. *Mol Syst Biol* **6**: 437
- Freeman M (2000) Feedback control of intercellular signalling in development. *Nature* **408**: 313–319
- Gaudet S, Janes KA, Albeck JG, Pace EA, Lauffenburger DA, Sorger PK (2005) A compendium of signals and responses triggered by prodeath and prosurvival cytokines. *Mol Cell Proteomics* **4**: 1569–1590
- Ghaffari S, Kitidis C, Zhao W, Marinkovic D, Fleming MD, Luo B, Marszalek J, Lodish HF (2006) AKT induces erythroid-cell maturation of JAK2-deficient fetal liver progenitor cells and is required for Epo regulation of erythroid-cell differentiation. *Blood* **107**: 1888–1891
- Gobert S, Chretien S, Gouilleux F, Muller O, Pallard C, Dusanter-Fourt I, Groner B, Lacombe C, Gisselbrecht S, Mayeux P (1996) Identification of tyrosine residues within the intracellular domain of the erythropoietin receptor crucial for STAT5 activation. *EMBO J* **15**: 2434–2441
- Grebien F, Kerényi MA, Kovacic B, Kolbe T, Becker V, Dolznig H, Pfeiffer K, Klingmüller U, Muller M, Beug H, Mullner EW, Moriggl R (2008) Stat5 activation enables erythropoiesis in the absence of EpoR and Jak2. *Blood* **111**: 4511–4522
- Gross AW, Lodish HF (2006) Cellular trafficking and degradation of erythropoietin and novel erythropoiesis stimulating protein (NESP). *J Biol Chem* **281**: 2024–2032
- Hahn B, Böhm ME, Raia V, Zinn N, Möller P, Klingmüller U, Lehmann WD (2010) One-source peptide/phosphopeptide standards for accurate phosphorylation degree determination. *Proteomics* **11**: 490–494
- He B, You L, Uematsu K, Zang K, Xu Z, Lee AY, Costello JF, McCormick F, Jablons DM (2003) SOCS-3 is frequently silenced by hypermethylation and suppresses cell growth in human lung cancer. *Proc Natl Acad Sci USA* **100**: 14133–14138
- Hindmarsh AC, Brown PN, Grant KE, Lee SL, Serban R, Shumaker DE, Woodward CS (2005) Sundials: suite of nonlinear and differential/algebraic equation solvers. *ACM Trans Math Softw* **31**: 363–396
- Hoyt R, Zhu W, Cerignoli F, Alonso A, Mustelin T, David M (2007) Cutting edge: selective tyrosine dephosphorylation of interferon-activated nuclear STAT5 by the VHR phosphatase. *J Immunol* **179**: 3402–3406
- Irizarry RA, Bolstad BM, Collin F, Cope LM, Hobbs B, Speed TP (2003) Summaries of Affymetrix GeneChip probe level data. *Nucleic Acids Res* **31**: e15
- Jegalian AG, Wu H (2002) Differential roles of SOCS family members in EpoR signal transduction. *J Interferon Cytokine Res* **22**: 853–860
- Jelkmann W (2004) Molecular biology of erythropoietin. *Intern Med* **43**: 649–659
- Johan MF, Bowen DT, Frew ME, Goodeve AC, Reilly JT (2005) Aberrant methylation of the negative regulators RASSF1A, SHP-1 and SOCS-1 in myelodysplastic syndromes and acute myeloid leukaemia. *Br J Haematol* **129**: 60–65
- Jost E, do ON, Dahl E, Maintz CE, Josten P, Habets L, Wilop S, Herman JG, Osieka R, Galm O (2007) Epigenetic alterations complement mutation of JAK2 tyrosine kinase in patients with BCR/ABL-negative myeloproliferative disorders. *Leukemia* **21**: 505–510
- Kerényi MA, Grebien F, Gehart H, Schiffrer M, Artaker M, Kovacic B, Beug H, Moriggl R, Mullner EW (2008) Stat5 regulates cellular iron uptake of erythroid cells via IRP-2 and TfR-1. *Blood* **112**: 3878–3888
- Ketteler R, Glaser S, Sandra O, Martens UM, Klingmüller U (2002) Enhanced transgene expression in primitive hematopoietic

- progenitor cells and embryonic stem cells efficiently transduced by optimized retroviral hybrid vectors. *Gene Ther* **9**: 477–487
- Ketteler R, Moghraby CS, Hsiao JG, Sandra O, Lodish HF, Klingmüller U (2003) The cytokine-inducible Src homology domain-containing protein negatively regulates signaling by promoting apoptosis in erythroid progenitor cells. *J Biol Chem* **278**: 2654–2660
- Kholodenko BN, Hancock JF, Kolch W (2010) Signalling ballet in space and time. *Nat Rev Mol Cell Biol* **11**: 414–426
- Klingmüller U, Bergelson S, Hsiao JG, Lodish HF (1996) Multiple tyrosine residues in the cytosolic domain of the erythropoietin receptor promote activation of STAT5. *Proc Natl Acad Sci USA* **93**: 8324–8328
- Klingmüller U, Lorenz U, Cantley LC, Neel BG, Lodish HF (1995) Specific recruitment of SH-PTP1 to the erythropoietin receptor causes inactivation of JAK2 and termination of proliferative signals. *Cell* **80**: 729–738
- Kota J, Caceres N, Constantinescu SN (2008) Aberrant signal transduction pathways in myeloproliferative neoplasms. *Leukemia* **22**: 1828–1840
- Krebs DL, Hilton DJ (2001) SOCS proteins: negative regulators of cytokine signaling. *Stem Cells* **19**: 378–387
- Kreutz C, Bartolome Rodriguez MM, Maiwald T, Seidl M, Blum HE, Mohr L, Timmer J (2007) An error model for protein quantification. *Bioinformatics* **23**: 2747–2753
- Kubo M, Hanada T, Yoshimura A (2003) Suppressors of cytokine signaling and immunity. *Nat Immunol* **4**: 1169–1176
- Lai SY, Childs EE, Xi S, Coppelli FM, Gooding WE, Wells A, Ferris RL, Grandis JR (2005) Erythropoietin-mediated activation of JAK-STAT signaling contributes to cellular invasion in head and neck squamous cell carcinoma. *Oncogene* **24**: 4442–4449
- Lappin TR, Maxwell AP, Johnston PG (2002) EPO's alter ego: erythropoietin has multiple actions. *Stem Cells* **20**: 485–492
- Legewie S, Herzel H, Westerhoff HV, Bluthgen N (2008) Recurrent design patterns in the feedback regulation of the mammalian signalling network. *Mol Syst Biol* **4**: 190
- Leis J, Kramer M (1988) The simultaneous solution and sensitivity analysis of systems described by ordinary differential equations. *ACM Trans Math Softw* **14**: 45–60
- Liang K, Esteva FJ, Albarracín C, Stemke-Hale K, Lu Y, Bianchini G, Yang CY, Li Y, Li X, Chen CT, Mills GB, Hortobagyi GN, Mendelsohn J, Hung MC, Fan Z (2010) Recombinant human erythropoietin antagonizes trastuzumab treatment of breast cancer cells via Jak2-mediated Src activation and PTEN inactivation. *Cancer Cell* **18**: 423–435
- MacDonald N (1976) Time delay in simple chemostat models. *Biotechnol Bioeng* **18**: 805–812
- Maiwald T, Schneider A, Busch H, Sahle S, Gretz N, Weiss TS, Kummer U, Klingmüller U (2010) Combining theoretical analysis and experimental data generation reveals IRF9 as a crucial factor for accelerating interferon alpha-induced early antiviral signalling. *FEBS J* **277**: 4741–4754
- Marine JC, McKay C, Wang D, Topham DJ, Parganas E, Nakajima H, Penderville H, Yasukawa H, Sasaki A, Yoshimura A, Ihle JN (1999) SOCS3 is essential in the regulation of fetal liver erythropoiesis. *Cell* **98**: 617–627
- Matsumoto A, Masuhara M, Mitsui K, Yokouchi M, Ohtsubo M, Misawa H, Miyajima A, Yoshimura A (1997) CIS, a cytokine inducible SH2 protein, is a target of the JAK-STAT5 pathway and modulates STAT5 activation. *Blood* **89**: 3148–3154
- Matsumoto A, Seki Y, Kubo M, Ohtsuka S, Suzuki A, Hayashi I, Tsuji K, Nakahata T, Okabe M, Yamada S, Yoshimura A (1999) Suppression of STAT5 functions in liver, mammary glands, and T cells in cytokine-inducible SH2-containing protein 1 transgenic mice. *Mol Cell Biol* **19**: 6396–6407
- Olthoff SG, Fatrai S, Drayer AL, Tyl MR, Vellenga E, Schuringa JJ (2008) Downregulation of signal transducer and activator of transcription 5 (STAT5) in CD34+ cells promotes megakaryocytic development, whereas activation of STAT5 drives erythropoiesis. *Stem Cells* **26**: 1732–1742
- Pei D, Lorenz U, Klingmüller U, Neel BG, Walsh CT (1994) Intramolecular regulation of protein tyrosine phosphatase SH-PTP1: a new function for Src homology 2 domains. *Biochemistry* **33**: 15483–15493
- Prchal JF, Axelrad AA (1974) Letter: bone-marrow responses in polycythemia vera. *N Engl J Med* **290**: 1382
- Raue A, Kreutz C, Maiwald T, Bachmann J, Schilling M, Klingmüller U, Timmer J (2009) Structural and practical identifiability analysis of partially observed dynamical models by exploiting the profile likelihood. *Bioinformatics* **25**: 1923–1929
- Roberts AW, Robb L, Rakar S, Hartley L, Cluse L, Nicola NA, Metcalf D, Hilton DJ, Alexander WS (2001) Placental defects and embryonic lethality in mice lacking suppressor of cytokine signaling 3. *Proc Natl Acad Sci USA* **98**: 9324–9329
- Sarna MK, Ingley E, Busfield SJ, Cull VS, Lepere W, McCarthy DJ, Wright MJ, Palmer GA, Chappell D, Sayer MS, Alexander WS, Hilton DJ, Starr R, Watowich SS, Bittorf T et al (2003) Differential regulation of SOCS genes in normal and transformed erythroid cells. *Oncogene* **22**: 3221–3230
- Sasaki A, Yasukawa H, Shouda T, Kitamura T, Dikic I, Yoshimura A (2000) CIS3/SOCS-3 suppresses erythropoietin (EPO) signaling by binding the EPO receptor and JAK2. *J Biol Chem* **275**: 29338–29347
- Schilling M, Maiwald T, Bohl S, Kollmann M, Kreutz C, Timmer J, Klingmüller U (2005) Quantitative data generation for systems biology: the impact of randomisation, calibrators and normalisers. *Syst Biol (Stevenage)* **152**: 193–200
- Schilling M, Maiwald T, Hengl S, Winter D, Kreutz C, Kolch W, Lehmann WD, Timmer J, Klingmüller U (2009) Theoretical and experimental analysis links isoform-specific ERK signalling to cell fate decisions. *Mol Syst Biol* **5**: 334
- Seidler J, Adal M, Kubler D, Bossemeyer D, Lehmann WD (2009) Analysis of autophosphorylation sites in the recombinant catalytic subunit alpha of cAMP-dependent kinase by nano-UPLC-ESI-MS/MS. *Anal Bioanal Chem* **395**: 1713–1720
- Seidler J, Zinn N, Haaf E, Boehm ME, Winter D, Schlosser A, Lehmann WD (2010) Metal ion-mobilizing additives for comprehensive detection of femtomole amounts of phosphopeptides by reversed phase LC-MS. *Amino Acids* **41**: 311–320
- Shudo E, Yang J, Yoshimura A, Iwasa Y (2007) Robustness of the signal transduction system of the mammalian JAK/STAT pathway and dimerization steps. *J Theor Biol* **246**: 1–9
- Socolovsky M, Fallon AE, Wang S, Brugnara C, Lodish HF (1999) Fetal anemia and apoptosis of red cell progenitors in Stat5a^{-/-}5b^{-/-} mice: a direct role for Stat5 in Bcl-X(L) induction. *Cell* **98**: 181–191
- Socolovsky M, Nam H, Fleming MD, Haase VH, Brugnara C, Lodish HF (2001) Ineffective erythropoiesis in Stat5a^(-/-)5b^(-/-) mice due to decreased survival of early erythroblasts. *Blood* **98**: 3261–3273
- Soebiyanto RP, Sreenath SN, Qu CK, Loparo KA, Bunting KD (2007) Complex systems biology approach to understanding coordination of JAK-STAT signaling. *Biosystems* **90**: 830–842
- Spencer SL, Gaudet S, Albeck JG, Burke JM, Sorger PK (2009) Non-genetic origins of cell-to-cell variability in TRAIL-induced apoptosis. *Nature* **459**: 428–432
- Suessmuth Y, Elliott J, Percy MJ, Inami M, Attal H, Harrison CN, Inokuchi K, McMullin MF, Johnston JA (2009) A new polycythaemia vera-associated SOCS3 SH2 mutant (SOCS3F136L) cannot regulate erythropoietin responses. *Br J Haematol* **147**: 450–458
- Swamee I, Muller TG, Timmer J, Sandra O, Klingmüller U (2003) Identification of nucleocytoplasmic cycling as a remote sensor in cellular signaling by databased modeling. *Proc Natl Acad Sci USA* **100**: 1028–1033
- Verdier F, Chretien S, Muller O, Varlet P, Yoshimura A, Gisselbrecht S, Lacombe C, Mayeux P (1998) Proteasomes regulate erythropoietin receptor and signal transducer and activator of transcription 5 (STAT5) activation. Possible involvement of the ubiquitinated Cis protein. *J Biol Chem* **273**: 28185–28190
- Weinberg RS, Worsley A, Gilbert HS, Cuttner J, Berk PD, Alter BP (1989) Comparison of erythroid progenitor cell growth *in vitro* in

- polycythemia vera and chronic myelogenous leukemia: only polycythemia vera has endogenous colonies. *Leuk Res* **13**: 331–338
- Wormald S, Zhang JG, Krebs DL, Mielke LA, Silver J, Alexander WS, Speed TP, Nicola NA, Hilton DJ (2006) The comparative roles of suppressor of cytokine signaling-1 and -3 in the inhibition and desensitization of cytokine signaling. *J Biol Chem* **281**: 11135–11143
- Yamada S, Shiono S, Joo A, Yoshimura A (2003) Control mechanism of JAK/STAT signal transduction pathway. *FEBS Lett* **534**: 190–196
- Yao Z, Cui Y, Watford WT, Bream JH, Yamaoka K, Hissong BD, Li D, Durum SK, Jiang Q, Bhandoola A, Hennighausen L, O'Shea JJ (2006) Stat5a/b are essential for normal lymphoid development and differentiation. *Proc Natl Acad Sci USA* **103**: 1000–1005
- Yoshimura A, Ohkubo T, Kiguchi T, Jenkins NA, Gilbert DJ, Copeland NG, Hara T, Miyajima A (1995) A novel cytokine-inducible gene CIS encodes an SH2-containing protein that binds to tyrosine-phosphorylated interleukin 3 and erythropoietin receptors. *EMBO J* **14**: 2816–2826
- Yu CL, Jin YJ, Burakoff SJ (2000) Cytosolic tyrosine dephosphorylation of STAT5. Potential role of SHP-2 in STAT5 regulation. *J Biol Chem* **275**: 599–604
- Zhu BM, McLaughlin SK, Na R, Liu J, Cui Y, Martin C, Kimura A, Robinson GW, Andrews NC, Hennighausen L (2008) Hematopoietic-specific Stat5-null mice display microcytic hypochromic anemia associated with reduced transferrin receptor gene expression. *Blood* **112**: 2071–2080
- Zi Z, Cho KH, Sung MH, Xia X, Zheng J, Sun Z (2005) In silico identification of the key components and steps in IFN-gamma induced JAK-STAT signaling pathway. *FEBS Lett* **579**: 1101–1108



Molecular Systems Biology is an open-access journal published by *European Molecular Biology Organization* and *Nature Publishing Group*. This work is licensed under a Creative Commons Attribution-Noncommercial-Share Alike 3.0 Unported License.