

Methodology article

## An efficient method to successively introduce transgenes into a given genomic locus in the mouse

Roong Zhao<sup>1</sup>, Scott A Fahs<sup>2</sup>, Hartmut Weiler<sup>2</sup> and Stephen A Duncan<sup>\*1</sup>

Address: <sup>1</sup>Department of Cell Biology, Neurobiology, and Anatomy, Medical College of Wisconsin, 8701 Watertown Plank Rd, WI 53226, USA and <sup>2</sup>Blood Research Institute, The Blood Center of Southeastern Wisconsin, 8272 Watertown Plank Rd., Milwaukee, Wisconsin 53226

E-mail: Roong Zhao - rzhao@mcw.edu; Scott A Fahs - safahs@bcsew.edu; Hartmut Weiler - hweiler@bcsew.edu; Stephen A Duncan\* - duncans@mcw.edu

\*Corresponding author

Published: 19 June 2001

Received: 3 May 2001

BMC Developmental Biology 2001, 1:10

Accepted: 19 June 2001

This article is available from: <http://www.biomedcentral.com/1471-213X/1/10>

(c) 2001 Zhao et al, licensee BioMed Central Ltd.

### Abstract

**Background:** Expression of transgenes in mice requires transcriptional regulatory elements that direct expression in a chosen cell type. Unfortunately, the availability of well-characterized promoters that direct bona-fide expression of transgenes in transgenic mice is limited. Here we described a method that allows highly efficient targeting of transgenes to a preselected locus in ES cells.

**Results:** A pgk-LoxP-Neo cassette was introduced into a desired genomic locus by homologous recombination in ES cells. The pgk promoter was then removed from the targeted ES cells by Cre recombinase thereby restoring the ES cells' sensitivity to G418. We demonstrated that transgenes could be efficiently introduced into this genomic locus by reconstituting a functional Neo gene.

**Conclusion:** This approach is simple and extremely efficient in facilitating the introduction of single-copy transgenes into defined genomic loci. The availability of such an approach greatly enhances the ease of using endogenous regulatory elements to control transgene expression and, in turn, expands the repertoire of elements available for transgene expression.

### Introduction

The study of gene function has been greatly advanced through the use of transgenic mice. Over-expression and ectopic expression of transgenes, as well as the expression of genetic variants, has facilitated the deciphering of complex cellular processes as well as the generation of animal models of disease. More recently, transgenic mice have also been used to express Cre recombinase to mediate the conditional deletion of loxP-flanked DNA sequences in specific cell types *in vivo*. Traditional methods for generating transgenic mice require the availability of well characterized transcriptional regulatory elements, promoters or enhancers, that direct transgene

expression in specific cell types. For example, *Surfactant protein C* regulatory elements have been used extensively to drive high level expression of transgenes in the lung [1,2,3,4]. Similarly, *Transthyretin* regulatory elements confer expression of transgenes in the liver [5, 6]. Unfortunately, the number well-characterized enhancers/promoters available for transgene expression is limited. This is due to the fact that, although *in situ* hybridization and RNA blotting techniques can rapidly characterize the expression patterns of genes, the identification of regulatory elements that control cell type-specific expression in animals is extremely laborious. An additional complication associated with traditional transgenic approaches is

that the number and genomic location of transgene integration events is random. This can have a significant impact on both the level and site of transgene expression. These problems can be circumvented, however, by utilizing endogenous regulatory elements. This can be achieved by introducing transgenes into defined genomic loci through homologous recombination in ES cells ("knock-in") [7]. While this approach requires knowledge of the gene expression pattern it does not require any analysis of gene regulatory elements. Such a "knock-in" approach would, in effect, significantly increase the repertoire of regulatory elements available to drive transgene expression. Moreover, it ensures that a single copy of the transgene is introduced into a defined genomic location. The introduction of *LacZ* into specific genes during the generation of knockout mice has demonstrated that such an approach can be successful [8, 9]. The downside, however, is that every individual transgene an investigator wishes to express must be independently targeted to the chosen genomic locus. This can be tedious, especially if the rate of recombination at the chosen genomic locus is low. Here, we describe a simple method that allows transgenes targeted to a marked genomic locus to be selected with extremely high efficiency in ES cells. This approach is also appealing because it relies on reconstitution of active neomycin phosphotransferase activity, and so correctly targeted ES cell clones can be simply selected by growth in G418.

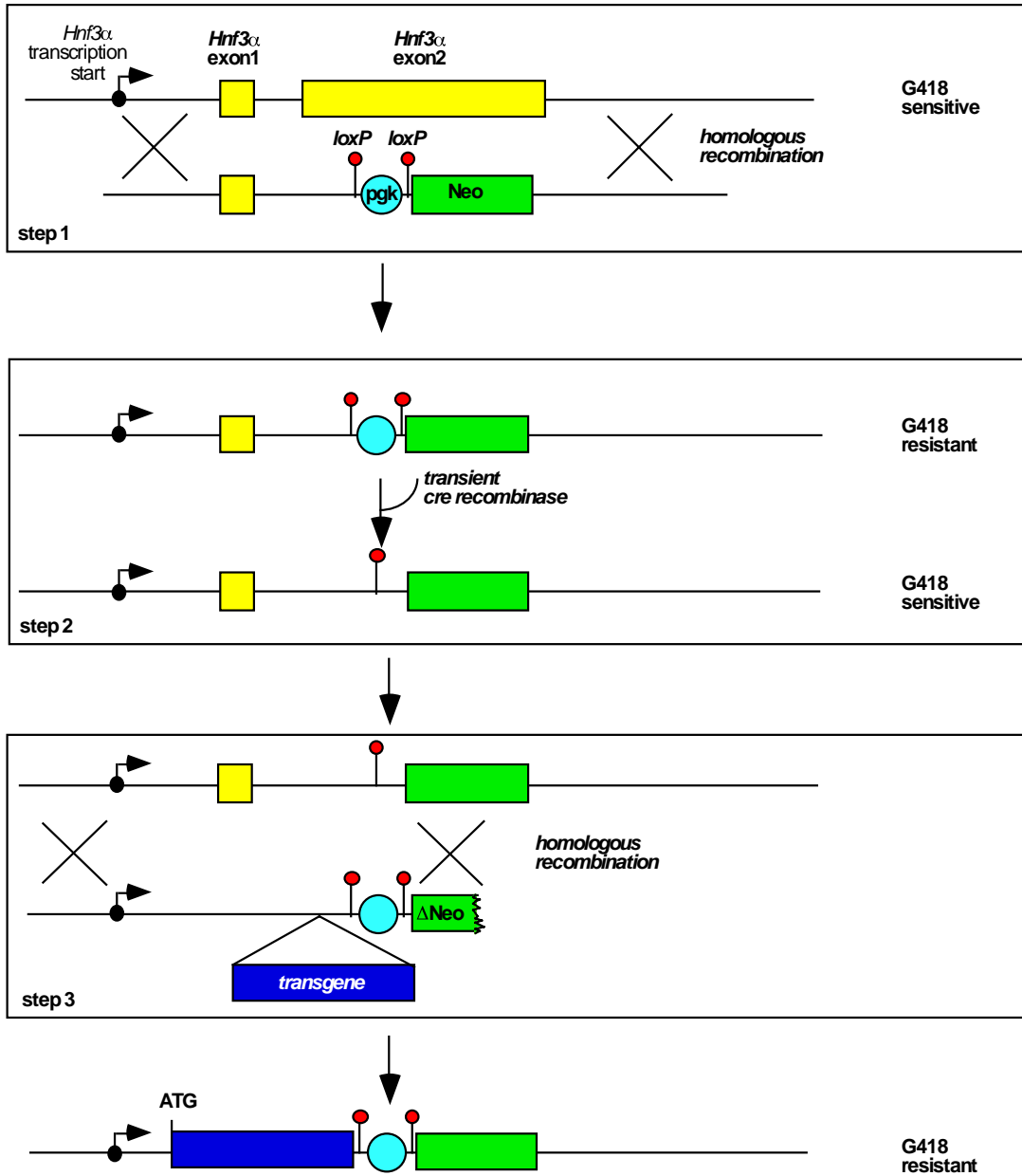
## Results

Fig 1 illustrates the overall strategy that we have used to introduce single copy transgenes into a defined genomic locus. For convenience the procedure can be considered in three distinct steps. First a specific genomic locus is chosen based on known gene expression data. In the example presented here we chose the *Hnf3 $\alpha$*  locus because *Hnf3 $\alpha$*  is expressed throughout the embryonic gut endoderm of the mouse and our ultimate objective is to assess the function of transgenes expressed in this tissue [10,11,12,13]. In addition, mice lacking a single *Hnf3 $\alpha$*  allele have no observable phenotype, so that introduction of transgenes into this locus will not inherently affect embryonic development [14, 15]. Once the locus is chosen a targeting vector is designed to introduce a *pgk/loxP-Neo* cassette that confers resistance to G418 in mammalian cells. Importantly, the *pgk* promoter of this cassette is flanked by *loxP* elements so that the promoter can easily be removed using Cre recombinase. In step 2 a Cre-expression plasmid is transiently introduced into the *pgk/loxP-Neo* targeted ES cells. Cre-mediated deletion of the *pgk* promoter results in the cells reverting to G418 sensitivity while retaining the *Neo* gene. Step 2 is rapid and straightforward because Cre-mediated recombination is extremely efficient. The generation of these G418-sensitive ES cells containing *Neo* integrated into

the *Hnf3 $\alpha$*  locus form the basis for targeting transgenes to this locus.

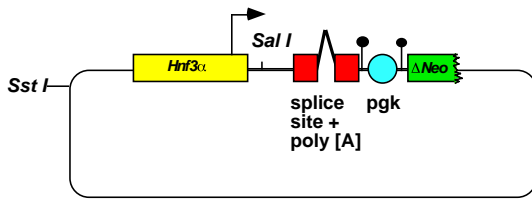
In step 3, a general targeting vector is constructed that will allow the introduction of transgenes to the *Hnf3 $\alpha$ /Neo* locus. The salient features of such a vector are shown in Fig 2. A unique *Sall* restriction endonuclease site allows the introduction of coding sequences into this vector. A 3' splice site and polyadenylation signal has been incorporated to facilitate proper post-transcriptional processing of transgenes. Targeting of transgenes to the *Hnf3 $\alpha$ /Neo* locus is mediated by two arms of homology. The 3' arm of homology contains nucleotides 29 to 626 of the *Neo* coding sequence with an accompanying *pgk* promoter flanked by *loxP* elements. No G418 resistant colonies were obtained when plasmids containing this truncated *Neo* cassette were introduced into wild type ES cells by electroporation (data not shown). This confirmed that deletion of the 3'-end of *Neo* results in loss of resistance to G418 [16]. The 5' region of homology consisted of 4.5 kb of *Hnf3 $\alpha$*  genomic sequence that extends into sequences encoding the untranslated 5' leader region of *Hnf3 $\alpha$*  mRNA [17]. These sequences ensure that the site of transcriptional initiation remains intact after transgenes have been targeted to the *Hnf3 $\alpha$*  locus [17].

To ascertain whether the strategy proposed in Fig 1 was feasible and to determine the efficiency of such an approach we attempted to introduce a *lacZ* transgene into the *Hnf3 $\alpha$*  locus. The genotype of ES cell clones from each step of the procedure was determined by Southern blot analysis of genomic DNA (Fig 3). Figs 3a and 3b show that the genotype of ES cells at each stage of the procedure could be distinguished by genomic Southern blot analysis using a single DNA probe (probe A) to identify a *Hind III/EcoRV* restriction endonuclease fragment that was specific to each targeted allele. In step1 we introduced a *pgkloxP-Neo* cassette into the *Hnf3 $\alpha$*  locus following the procedure described in materials and methods. Fig 3b shows that probe A identifies an 8.0 kb *Hind III/EcoRV* fragment in wild type ES cells. Targeting of a *pgkloxP-Neo* cassette to this locus introduces a unique *EcoRV* site that generates a 4.0 kb *HindIII/EcoRV* fragment also detected by probe A. We obtained four correctly targeted ES cell clones out of 200 that were resistant to both G418 and gancyclovir (Fig 3b). In addition to the data shown in Fig 3b, the genotype of these colonies was confirmed by Southern blot using DNA fragments that corresponded to 3' *Hnf3 $\alpha$*  genomic sequences and to *Neo* (not shown). These correctly targeted ES cell clones were called *Hnf3 $\alpha$ loxPNeo* clones 1-4 to indicate that a *pgkloxP-Neo* cassette had been introduced into the *Hnf3 $\alpha$*  locus. Next, a plasmid that expresses Cre-recombinase in mammalian cells was introduced into *Hnf3 $\alpha$ loxPNeo* ES cells by transient



**Figure 1**

Strategy used to introduce transgenes into a defined genomic locus in ES cells. For convenience the approach can be considered in three steps (boxes). In step 1, a cassette containing *neomycin phosphotransferase* coding sequence (Neo, green) that is expressed from a *phosphoglycerate kinase-1* (*pgk*) promoter (light blue) flanked by *loxP* elements (red) is targeted to a chosen locus, in this case *Hnf3α* (yellow), by homologous recombination. Cells containing the Neo cassette are resistant to the pharmacological inhibitor G418. In step 2, sensitivity of the targeted ES cells to G418 is restored by removing the *Pgk* promoter by transiently introducing a plasmid that expresses Cre recombinase. In step 3, transgenes (dark blue) are introduced to the locus through homologous recombination. The short arm of homology contains a truncated Neo gene ( $\Delta$ Neo) that lacks phosphotransferase activity that can be expressed from a *Pgk* promoter. The long arm of homology consists of genomic DNA sequences lying 5' to the intended site of integration (not drawn to scale). Homologous recombination reconstitutes expression of Neo and generates G418 resistant ES cells. The site of transcriptional initiation of *Hnf3α* is indicated as a black dot with an arrow.



**Figure 2**

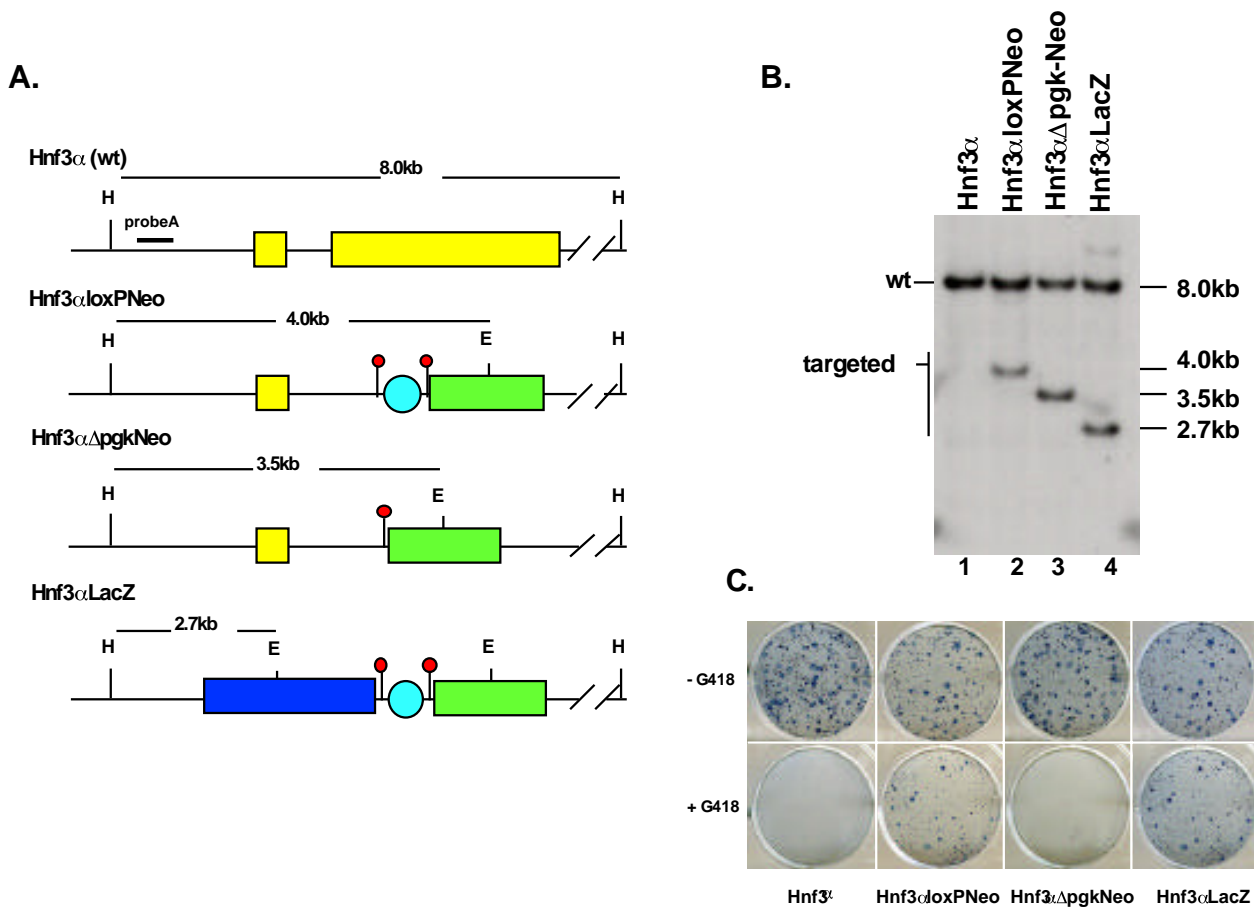
Schematic of a general targeting vector used to introduce transgenes into the *Hnf3α* locus by homologous recombination. The 5' arm of homology contains *Hnf3α* genomic DNA that extends 3' of the *Hnf3α* transcriptional start-site (arrow). Coding sequences can be introduced into a unique *SalI* site that lies 5' to sequences containing an intron and polyadenylation signal for efficient RNA processing. A truncated *Neo* gene ( $\Delta$ Neo) that lacks phosphotransferase activity provides the short arm of homology. Expression of  $\Delta$ Neo is regulated by a *Pgk* promoter flanked by *loxP* elements. For electroporation into ES cells the targeting vector can be made linear by digesting with *SstI*.

transfection (materials and methods). The expression of Cre recombinase mediated recombination between the *loxP* elements that flanked the *pgk* promoter. Southern blot analysis (fig 3) shows that deletion of the *pgk* promoter in *Hnf3αloxPNeo* cells generated a predicted 3.5 kb *HindIII/EcoRV* fragment that was detected by probe A. Moreover, Fig 3c shows that deletion of the *pgk* promoter resulted in the *Hnf3αloxPNeo* cells reverting to G418-sensitivity because the promoter is necessary for *Neo* expression. The *pgk* promoter was deleted from 25% of transfected *Hnf3αloxPNeo* ES cells, using the approach described in materials and methods. ES cell lines from which the *pgk* promoter had been deleted were named *Hnf3αΔpgk-Neo* to indicate this event.

Our ultimate goal is to target a number of different transgenes to the *Hnf3α* locus with the aim of expressing them ectopically throughout the embryonic gut endoderm. To facilitate this we have designed a general targeting vector that can accommodate and allow expression of any open reading frame when targeted to the *Hnf3α* locus in *Hnf3αΔpgk-Neo* ES cells. There are a number of important features associated with this vector that are illustrated in Fig 2. This plasmid includes a unique *SalI* restriction endonuclease cut-site for insertion of open reading frames, followed by intron and poly- [A] addition sequences for correct post-transcriptional processing of transgenic RNA. The 5' arm of homology within the targeting vector defines where the transgene is positioned relative to the *Hnf3α* locus. We maintained the integrity of the endogenous *Hnf3α* transcriptional start-site to ensure bona-fide expression of any inserted transgene. This was achieved by using a 5' arm of homology

whose 3' end lay within genomic sequences encoding the untranslated leader of the *Hnf3α* mRNA (Fig 2) [17]. The 3' arm of homology consisted of the 5' end of *Neo* coding sequence accompanied by the *pgk* promoter with flanking *loxP* elements. This *Neo* fragment lacked sequences encoding the last 49 amino acids of neomycin phosphotransferase. Such truncation of the *Neo* gene disrupted its ability to encode resistance to G418 confirming the results of Beck *et al* (data not shown) [16]. Therefore, ES cells that randomly integrate this targeting vector would remain sensitive to G418. In contrast, we predicted that homologous recombination between the truncated *Neo* sequences within *Hnf3αΔpgk-Neo* ES cells would reconstitute expression of active neomycin phosphotransferase and so confer resistance to G418. This in turn implies that, following electroporation of this targeting vector into *Hnf3αΔpgk-Neo* ES cells, 100% of G418 resistant colonies would have undergone homologous recombination. To test this prediction we generated a targeting vector that contained the *LacZ* gene from *E.coli*. Homologous recombination should place expression of this transgene under the control of *Hnf3α* transcriptional regulatory elements. This plasmid was introduced into *Hnf3αΔpgk-Neo* ES cells by electroporation and fifteen colonies were collected that were resistant to G418. The genotype of the colonies was again ascertained by Southern blot analysis of genomic DNA. Fig 3a shows that introduction of the *LacZ* transgene into the *Hnf3α* locus was predicted to generate a 2.7 kb *HindIII/EcoRV* fragment that interacts with probe A. Fig 4 shows that fifteen out of fifteen ES cell lines that were resistant to G418 had undergone homologous recombination and contained the *LacZ* transgene correctly targeted to the *Hnf3α* locus. These data confirm the extraordinary efficiency of using this approach to target transgenes to a marked genomic locus.

We predicted that transgenes inserted into the *Hnf3α* locus would be expressed throughout the endoderm of the developing gut. To determine if this was true we generated embryos from ES cells containing *LacZ* at the *Hnf3α* locus (*Hnf3αLacZ* ES cells) and stained for expression of  $\beta$ -galactosidase. Mouse embryos derived solely from ES cells were generated by tetraploid aggregation as described previously [18,19,20]. A total of 10 embryos were produced and all showed the same pattern of  $\beta$ -galactosidase expression. Fig 4b shows  $\beta$ -galactosidase staining in *Hnf3αLacZ* embryos at 10.5 days of embryonic development. As expected,  $\beta$ -galactosidase was expressed throughout the gut, liver and at particularly high levels in the developing stomach. Endogenous *Hnf3α* is also expressed in the floorplate of the neural tube as well as the notochord. However, expression of  $\beta$ -galactosidase in *Hnf3αLacZ* transgenic embryos was undetectable in these tissues. In generating the *Hnf3αLacZ* targeting

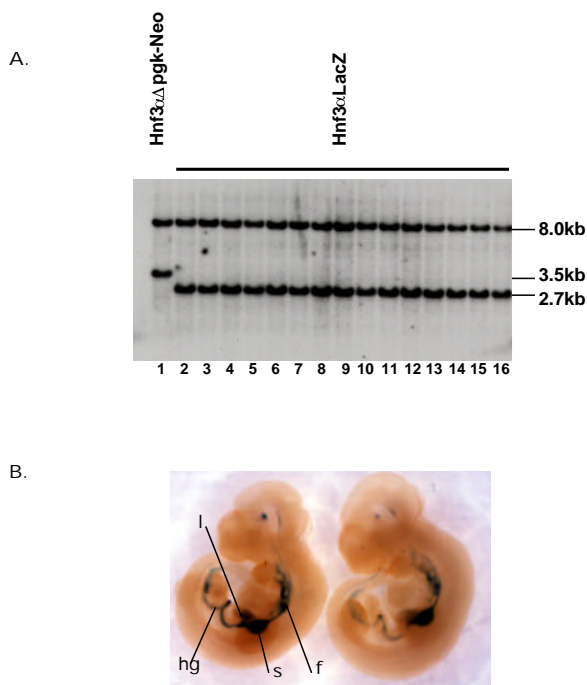
**Figure 3**

Genotype and G418 resistance of ES cells harboring insertions at the *Hnf3α* locus. a) A schematic showing the relative position of *HindIII* and *EcoRV* restriction endonuclease cut sites at the *Hnf3α* locus in ES cells. The predicted endonuclease fragment sizes identified by probe A (line) are shown above. *Hnf3α* ES cells have a wild type *Hnf3α* locus (*Hnf3α*, wt) and *Hnf3α*loxPNeo ES cells have a *PgkloxP-Neo* cassette introduced into a single *Hnf3α* allele. The *pgk* promoter was deleted from *Hnf3α*loxPNeo ES cells using Cre recombinase to generate G418 sensitive *Hnf3α*Δpgk-Neo ES cells. *Hnf3α*LacZ ES cells were generated by the introduction of a *LacZ* transgene into the *Hnf3α*Δpgk-Neo locus of *Hnf3α*Δpgk-Neo ES cells by homologous recombination. b) Southern blot of *HindIII*/*EcoRV*-digested genomic DNA isolated from *Hnf3α*, *Hnf3α*loxPNeo, *Hnf3α*Δpgk-Neo, and *Hnf3α*LacZ ES cells. Probe A identified an 8.0 kb wild type fragment in *Hnf3α* ES cells (lane 1). In *Hnf3α*loxPNeo (lane 2), *Hnf3α*Δpgk-Neo (lane 3), and *Hnf3α*LacZ (lane 4) ES cells probe A hybridized to an additional fragment of 4.0, 3.5 and 2.7 kb, respectively, due to the introduction of a novel *EcoRV* restriction endonuclease cut site. c) *Hnf3α*, *Hnf3α*loxPNeo, *Hnf3α*Δpgk-Neo, and *Hnf3α*LacZ ES cells were cultured in the absence (-G418) or presence (+G418) of 300 μg/ml of G418. Staining with methyl green identified G418-resistant ES cell colonies (blue dots).

vector we deleted all genomic sequences lying 3' to the first intron of the *Hnf3α* gene. It is likely that this intron or other untranslated sequences contain regulatory elements that specifically direct expression of *Hnf3α*LacZ in the floorplate of the neural tube and notochord [21]. Indeed when *LacZ* is introduced into exon 2 in ES cells, leaving the first intron intact, expression of β-galactosidase is readily detectable in the neural-tube floorplate and notochord [9].

### Discussion and conclusions

We have described a method that allows transgenes to be easily targeted to a defined locus in the mouse genome in ES cells. Although this is a multiple-step procedure, once the chosen locus has been targeted using homologous recombination, subsequent manipulations are extremely efficient. Indeed in the final step, where the transgene of interest is targeted to the desired locus, we found that 100% of G418 resistant ES cell colonies were correctly targeted. Transgenic mice and embryos can be generated from these ES cells by standard injection into blastocysts



**Figure 4**  
 Targeting of a *LacZ* transgene to the *Hnf3αΔNeo* locus. a) A targeting vector (materials and methods) containing a *LacZ* transgene was introduced into *Hnf3αΔpgk-Neo* ES cells by electroporation and cells were cultured in media containing G418. The genotype of ES cell clones that were resistant to G418 was determined by Southern blot analysis of genomic DNA digested with *HindIII* and *EcoRV*. A wild type 8.0 kb *Hnf3α* fragment and a 3.5 kb "*pgk-Neo* targeted" fragment from *Hnf3αΔpgk-Neo* ES cells (lane 1) was identified using probe A. The 3.5 kb "*pgk-Neo* targeted" fragment was replaced with a 2.7 kb *EcoRV* fragment in all fifteen G418 resistant clones examined due to the introduction of a novel *EcoRV* site that lies within the *LacZ* transgene (*Hnf3αLacZ*, lanes 2-16). b) Embryos at 10.5 days of gestation that were derived from *Hnf3αLacZ* ES cells express β-galactosidase (blue) throughout the developing hindgut (hg), foregut (fg), liver (l) and stomach (s).

and subsequent breeding of the resulting chimeric mice. It is worth noting, however, that if germline transmission is the aim of the experiment it is important to ensure that the "Δpgk-Neo" cells generated in step 2 are germline competent. This is important because each round of clonal selection increases the likelihood of losing germline competency of the ES cells.

The targeting of transgenes into a given locus has a number of advantages over traditional methods of generating transgenic mice. Traditionally, transgenic mice are produced by injection of DNA into the male pronucleus of fertilized mouse eggs. A variable number of copies of

the transgene are then integrated into the mouse genome at random locations. The position and number of transgene copies can have a profound effect on their expression. In some cases expression is repressed or, in contrast, undesirably activated at ectopic sites. When transgenes are targeted to a known genomic locus such variation is avoided and expression of the transgene is significantly more predictable [7]. Such control over the site and level of expression is important because variations could have unpredictable impacts on the phenotype presented by the transgenic mice.

Introduction of single copy transgenes into the *hydroxyphosphoribosyl transferase* (HPRT) locus has been previously described by Bronson *et al.* This approach successfully overcomes the problems associated with the integration of variable copy numbers of transgenes into random genomic locations. However, it is only suitable for introduction of transgenes to the HPRT locus and, in addition, requires the availability of HPRT-negative ES cell lines. Cre-mediated targeting of single copy transgenes to specific genomic sites that have previously been marked by *loxP* elements has also been described both in somatic cells and more recently in ES cells using a double *LoxP* targeting strategy [22, 23]. Although this approach also results in efficient targeting to a defined genomic locus it relies on co-transfection of a Cre expression plasmid along with a *loxP*-targeting vector that carries the transgene. Hardouin *et al.* also recently described an elegant approach to introduce transgenes to loci identified by gene trapping. Here integration of the transgene at the gene-trap locus was again mediated by Cre recombinase and translation of the transgene was facilitated by an internal ribosomal entry site (IRES) [24]. In contrast, our approach relies simply on the reconstitution of resistance to G418 and can be used to target transgenes to any genomic locus.

Transgenic mice are often used to examine gene function through ectopic expression studies. This requires the availability of characterized transcriptional regulatory elements that are capable of expressing transgenes in the tissue of choice. In addition, for developmental studies, the transcriptional regulatory elements have to ensure transgene expression during the correct developmental time frame. Although the expression patterns of many genes have been described in detail, characterization of promoter and enhancer elements that control this expression is much more limited. This is partly due to the fact that complex expression patterns often utilize genomic regulatory sequences that are positioned many kilobases away from the gene making them difficult to identify. However, the introduction of transgenes into specific loci allows the utilization of intact endogenous transcription regulatory sequences, which increases the

likelihood that the transgene will be expressed in the expected fashion.

Using targeted ES cells also provides the potential of expressing lethal transgenes. This may be important for examining the effects of expressing gain-of-function or dominant-negative alleles of a gene product. This is difficult using a conventional approach because of the need to establish founder mice expressing the transgene. However, if a line of "transgenic" ES cells can be established then it is possible to generate clonal embryos directly from these ES cells by aggregating them with tetraploid embryos. Indeed, here we have used this approach to establish that the introduction of a *LacZ* transgene into the *Hnf3 $\alpha$*  locus facilitates transgene expression throughout the developing gut (Fig 4).

In sum, we have described a method that facilitates the efficient introduction of transgenes into predefined loci in the mouse genome. By selecting appropriate sequences for homologous recombination this approach can be tailored toward any specific genomic locus. We, therefore, believe that this approach expands the repertoire of tools available for genetic manipulation in the mouse and will enhance our ability to address gene function in mammals.

## Materials and Methods

### Plasmids

In the following cloning steps "blunt" infers that the cohesive ends of a DNA fragment, cut by restriction endonucleases, were repaired by the Klenow fragment of DNA PolI in the presence of deoxyribonucleotides.

### *Hnf3 $\alpha$* targeting vector(*p3 $\alpha$ loxPNeo-TK*)

A 900 bp Xho1/Xba1 fragment of *Hnf3 $\alpha$*  genomic DNA that included exon 1 and a portion of intron 1 was used as the 5' arm of homology. The 3' arm of homology was cloned as a 4.5 kb Xho1 fragment of *Hnf3 $\alpha$*  genomic DNA. A Xho1/HindIII (blunt) cassette containing the Tn5 *neomycin phosphotransferase* (*Neo*) gene, that could confer resistance to G418 and whose expression in mammalian cells was directed by a *phosphoglycerate kinase-1* (*pgk*) promoter, was introduced into an XbaI (blunt) site between the *Hnf3 $\alpha$*  genomic sequences [16, 25]. The *pgk* promoter was flanked by *loxP* elements so that it could be deleted by the action of Cre recombinase. The *herpes simplex virus thymidine kinase* (*hsv-TK*) gene, whose expression was also regulated by the *pgk* promoter, was introduced adjacent to the *Hnf3 $\alpha$*  5' arm of homology to provide negative selection in the presence of gancyclovir.

### *Transgene targeting vector (p3 $\alpha$ $\Delta$ Neo)*

The transgene-targeting vector used in these experiments was generated in multiple steps (Fig 2). A NotI/RsrII (blunt) 1.4 kb cassette containing the 5' end of *Neo* coding sequence accompanied by the *pgk* promoter with flanking *loxP* elements was introduced into the SphI site (blunt) of pNEB193 (New England Biolabs). Deletion of the 49 c-terminal codons of the *Neo* gene disrupted its ability to encode resistance to G418 (data not shown) [16]. This sub-fragment of *Neo* provided the 3' arm of homology in the targeting vector. A 530 bp EcoRI fragment (blunt) containing an intron from the mouse protamine gene as well as poly(A) addition sequences was isolated from the plasmid pLacF and cloned into the PmeI site (blunt) of the preceding plasmid [26]. Finally the 5' arm of homology was provided by a 4.5 kb Xho I fragment of *Hnf3 $\alpha$*  genomic DNA that was introduced into a unique PacI site (blunt) in the preceding plasmid. Importantly, this fragment extended from 5' genomic DNA into sequences encoding the untranslated 5' end of *Hnf3 $\alpha$*  mRNA. This cloning strategy left a unique *Sal I* site into which coding sequences of transgenes could be introduced. A NotI (blunt) 3.6 kb lacZ fragment from pCMV- $\beta$ gal (Clontech) was ligated into this SalI (blunt) site to generate a targeting vector that could be used to introduce *lacZ* into the "marked" *Hnf3 $\alpha$*  locus.

### *Culture and selection of embryonic stem cell lines*

All ES cell lines were cultured on mitotically inactivated primary embryonic fibroblasts in ES cell medium supplemented with recombinant leukemia inhibitory factor (LIF) as described elsewhere [27]. Gene targeting was carried out using 100  $\mu$ g of linear targeting plasmid. This was introduced into  $2.5 \times 10^8$  ES cells by electroporation at 250 volts/500 $\mu$ f/resistance 8 using a BTX ECM600 electroporation system. Cells were plated on thirteen 10 cm<sup>2</sup> tissue culture dishes and grown for two days in ES cell medium supplemented with LIF. Cells containing *Neo* were selected by supplementing the ES cell medium with 300  $\mu$ g/ml Geneticin (G418, Gibco-BRL) and negative selection against *Hsv-tk* gene expression was achieved by including 2  $\mu$ M gancyclovir (Roche). Recombination between *loxP* elements in ES cells was mediated by introducing a Cre expression plasmid, pHDMCCre8 (provided by Dr. Klaus Kaestner). 100  $\mu$ g of pHDMCCre8 was introduced into  $5 \times 10^7$  ES cells by electroporation using 400 v/500 $\mu$ f/resistance setting 8. 1/100,000 of the total electroporated cell population was plated per 10 cm<sup>2</sup> tissue culture dish in ES cell medium supplemented with LIF and grown until individual colonies could be collected.

### *Tetraploid aggregation and $\beta$ -galactosidase staining*

Embryos were generated from ES cells by aggregating them with 4-cell stage embryos made tetraploid by elec-

trofusion, as described previously [19, 20, 27]. Aggregates that formed blastocysts after overnight culture were allowed to continue their development *in utero* by transferring them to a pseudopregnant surrogate mother. Embryos were stained for expression of  $\beta$ -galactosidase using standard techniques [28].

### Abbreviations

Neo - neomycin phosphotransferase

pgk - phosphoglycerate kinase promoter

Hsv-TK - Herpes simplex virus thymidine kinase

Hnf - hepatocyte nuclear factor

LIF - leukemia inhibitory factor

HPRT - hydroxyphosphoribosyl transferase

### Acknowledgements

We would like to thank Dr. Paula Traktman for critical reading of the manuscript and Dr. Klaus Kaestner for generously supplying the Cre expression vector and for useful advice. This work was supported by NIH R01 DK55743 to S.A.D.

### References

- Zeng X, Wert SE, Federici R, Peters KG, Whittsett JA: **VEGF enhances pulmonary vasculogenesis and disrupts lung morphogenesis in vivo.** *Dev Dyn* 1998, **211**:215-227
- Geraci MW, Gao B, Shepherd DC, Moore MD, Westcott JY, Fagan KA, Alger LA, Tuder RM, Voelkel NF: **Pulmonary prostacyclin synthase overexpression in transgenic mice protects against development of hypoxic pulmonary hypertension.** *J Clin Invest* 1999, **103**:1509-1515
- Hoyle GW, Li J, Finkelstein JB, Eisenberg T, Liu JY, Lasky JA, Athas G, Morris GF, Brody AR: **Emphysematous lesions, inflammation, and fibrosis in the lungs of transgenic mice overexpressing platelet-derived growth factor.** *Am J Pathol* 1999, **154**:1763-1775
- Weaver M, Yingling JM, Dunn NR, Bellusci S, Hogan BL: **Bmp signaling regulates proximal-distal differentiation of endoderm in mouse lung development.** *Development* 1999, **126**:4005-4015
- Wu H, Wade M, Krall L, Grisham J, Xiong Y, Van Dyke T: **Targeted in vivo expression of the cyclin-dependent kinase inhibitor p21 halts hepatocyte cell-cycle progression, postnatal liver development and regeneration.** *Genes Dev* 1996, **10**:245-260
- Rausa FM, Tan Y, Zhou H, Yoo KW, Stolz DB, Watkins SC, Franks RR, Unterman TG, Costa RH: **Elevated levels of hepatocyte nuclear factor 3beta in mouse hepatocytes influence expression of genes involved in bile acid and glucose homeostasis [In Process Citation].** *Mol Cell Biol* 2000, **20**:8264-8282
- Bronson SK, Plaehn EG, Kluckman KD, Hagaman JR, Maeda N, Smithies O: **Single-copy transgenic mice with chosen-site integration.** *Proc Natl Acad Sci U S A* 1996, **93**:9067-9072
- Weinstein DC, Altaba ARI, Chen WS, Hoodless P, Prezioso VR, Jessell TM, Darnell JE Jr: **The winged-helix transcription factor HNF-3 $\beta$  is required for notochord development in the mouse embryo.** *Cell* 1994, **78**:575-588
- Duncan SA, Navas AM, Dufort D, Rossant J, Stoffel M: **Regulation of a transcription factor network required for cell differentiation and metabolism.** *Science* 1998, **281**:692-695
- Ang S-L, Wierda A, Wong D, Stevens KA, Cascio S, Rossant J, Zaret KS: **The formation and maintenance of the definitive endoderm lineage in the mouse: involvement of HNF-3/ forkhead proteins.** *Development* 1993, **119**:1301-1315
- Altaba ARI, Prezioso VR, Darnell JE Jr, Jessell TM: **Sequential expression of HNF3 $\beta$  and HNF3 $\alpha$  by embryonic organizing centers: the dorsal lip/node, notochord and floor plate.** *Mech. Dev.* 1993, **44**:91-108
- Sasaki H, Hogan BLM: **Differential expression of multiple fork head related genes during gastrulation and axial pattern formation in the mouse embryo.** *Development* 1993, **118**:47-59
- Monaghan AP, Kaestner KH, Grau E, Schutz G: **Postimplantation expression patterns indicate a role for the mouse forkhead/ HNF-3 $\alpha$ ,  $\beta$ , and  $\gamma$  genes in determination of the definitive endoderm, chordamesoderm, and neurectoderm.** *Development* 1993, **119**:567-578
- Kaestner KH, Katz J, Liu Y, Drucker DJ, Schutz G: **Inactivation of the winged helix transcription factor HNF3alpha affects glucose homeostasis and islet glucagon gene expression in vivo.** *Genes Dev* 1999, **13**:495-504
- Shih DQ, Navas MA, Kuwajima S, Duncan SA, Stoffel M: **Impaired glucose homeostasis and neonatal mortality in hepatocyte nuclear factor 3alpha-deficient mice.** *Proc Natl Acad Sci U S A* 1999, **96**:10152-10157
- Beck E, Ludwig G, Auerswald EA, Reiss B, Schaller H: **Nucleotide sequence and exact localization of the neomycin phosphotransferase gene from transposon Tn5.** *Gene* 1982, **19**:327-336
- Kaestner KH, Hiemisch H, Lucknow B, Schutz G: **The HNF-3 gene family of transcription factors in mice: gene structure, cDNA sequence, and mRNA distribution.** *Genomics* 1994, **20**:377-385
- Nagy A, Gocza E, Diaz EM, Prideaux VR, Ivanyi E, Markkula M, Rossant J: **Embryonic stem cells alone are able to support fetal development in the mouse.** *Development* 1990, **110**:815-821
- Nagy A, Rossant J: **Production of completely ES cell-derived fetuses.** In: *Gene targeting: A practical approach* Edited by Joyner A. pp. 147-179. Oxford, UK: Oxford University Press; 1993:147-179
- Duncan SA, Nagy A, Chan W: **Murine gastrulation requires HNF-4 regulated gene expression in the visceral endoderm: tetraploid rescue of HNF-4-/- embryos.** *Development* 1997, **124**:279-287
- Clevidence DE, Zhou H, Lau LF, Costa RH: **The -4 kilobase promoter region of the winged helix transcription factor HNF-3alpha gene elicits transgene expression in mouse embryonic hepatic and intestinal diverticula.** *Int J Dev Biol* 1998, **42**:741-746
- Fukushige S, Sauer B: **Genomic targeting with a positive-selection lox integration vector allows highly reproducible gene expression in mammalian cells.** *Proc Natl Acad Sci U S A* 1992, **89**:7905-7909
- Soukharev S, Miller JL, Sauer B: **Segmental genomic replacement in embryonic stem cells by double lox targeting.** *Nucleic Acids Res* 1999, **27**:e21
- Hardouin N, Nagy A: **Gene-trap-based target site for cre-mediated transgenic insertion.** *Genesis* 2000, **26**:245-252
- Tybulewicz VL, Crawford CE, Jackson PK, Bronson RT, Mulligan RC: **Neonatal lethality and lymphopenia in mice with a homozygous disruption of the c-abl proto-oncogene.** *Cell* 1991, **65**:1153-1163
- Peschon JJ, Behringer RR, Brinster RL, Palmiter RD: **Spermatid-specific expression of protamine I in transgenic mice.** *Proc Natl Acad Sci U S A* 1987, **84**:5316-5319
- Joyner AL: *Gene Targeting: A practical approach.* Oxford: Oxford University Press; 1993
- Hogan B, Beddington R, Constantini F, Lacy E: *Manipulating the mouse embryo: a laboratory manual, second edn.* New York: Cold Spring Harbour Laboratory Press; 1994