

Using Mathematical Transmission Modelling to Investigate Drivers of Respiratory Syncytial Virus Seasonality in Children in the Philippines

Stuart Paynter^{1*}, Laith Yakob¹, Eric A. F. Simões^{2,7}, Marilla G. Lucero³, Veronica Tallo³, Hanna Nohynek⁴, Robert S. Ware^{1,6}, Philip Weinstein⁵, Gail Williams¹, Peter D. Sly⁶

1 School of Population Health, University of Queensland, Brisbane, Queensland, Australia, **2** University of Colorado School of Medicine, Aurora, Colorado, United States of America, **3** Research Institute for Tropical Medicine, Department of Health, Muntinlupa City, Metro Manila, Philippines, **4** Department of Vaccines and Immune Protection, National Institute for Health and Welfare, Helsinki, Finland, **5** Barbara Hardy Institute, University of South Australia, Adelaide, South Australia, Australia, **6** Queensland Children's Medical Research Institute, University of Queensland, Brisbane, Queensland, Australia, **7** Colorado School of Public Health, University of Colorado, Aurora, Colorado, United States of America

Abstract

We used a mathematical transmission model to estimate when ecological drivers of respiratory syncytial virus (RSV) transmissibility would need to act in order to produce the observed seasonality of RSV in the Philippines. We estimated that a seasonal peak in transmissibility would need to occur approximately 51 days prior to the observed peak in RSV cases (range 49 to 67 days). We then compared this estimated seasonal pattern of transmissibility to the seasonal patterns of possible ecological drivers of transmissibility: rainfall, humidity and temperature patterns, nutritional status, and school holidays. The timing of the seasonal patterns of nutritional status and rainfall were both consistent with the estimated seasonal pattern of transmissibility and these are both plausible drivers of the seasonality of RSV in this setting.

Citation: Paynter S, Yakob L, Simões EAF, Lucero MG, Tallo V, et al. (2014) Using Mathematical Transmission Modelling to Investigate Drivers of Respiratory Syncytial Virus Seasonality in Children in the Philippines. PLoS ONE 9(2): e90094. doi:10.1371/journal.pone.0090094

Editor: Steven Riley, Imperial College London, United Kingdom

Received: July 19, 2013; **Accepted:** January 31, 2014; **Published:** February 27, 2014

Copyright: © 2014 Paynter et al. This is an open-access article distributed under the terms of the Creative Commons Attribution License, which permits unrestricted use, distribution, and reproduction in any medium, provided the original author and source are credited.

Funding: The RSV admissions data and weight for age data were collected as part of the ARIVAC project, which was supported by the European Commission DG Research INCO program (contracts IC18-CY97-2019, ICA4-CT-1999-10008, ICA4-CT-2002-10062); Academy of Finland (contracts: 206283, 106974, 108873, and 108878); Finnish Ministry of Foreign Affairs (bilateral contracts 75502901 and 327/412/2000); Finnish Physicians for Social Responsibility; GAVI ADIP Pneumo; Sanofi Pasteur; Research Institute for Tropical Medicine of the Philippines; National Public Health Institute Finland; University of Queensland; University of Colorado; National Health and Medical Research Council of Australia; and Programme for Appropriate Technology in Health (PATH). The views expressed by the authors do not necessarily reflect the views of PATH. The funders had no role in study design, data collection and analysis, decision to publish, or preparation of the manuscript.

Competing Interests: Sanofi Pasteur contributed towards direct research costs related to data management for the PCV trial. The authors do not believe this constitutes a conflict of interest related to this manuscript. This does not alter the authors' adherence to all the PLOS ONE policies on sharing data and materials.

* E-mail: s.paynter@uq.edu.au

Introduction

Acute lower respiratory infection (ALRI) is responsible for 20% of deaths in post neonatal infants globally, with one third of these deaths due to respiratory syncytial virus (RSV) [1]. In most settings ALRI in young children follows striking seasonal patterns, including in the tropics, where ALRI generally occurs during the rainy season [2,3]. Relatively little emphasis has been placed on systematically investigating the drivers of seasonality in tropical settings, despite the fact that most ALRI deaths in children occur in the tropics. Seasonal variations in transmission are required to amplify the inherent oscillations in infection incidence, which would otherwise remain damped, and to dictate the timing of seasonal epidemics, which are generally consistent in similar climates. Possible ecological drivers of respiratory infection seasonality include increased pathogen survival (possibly due to variations in temperature, humidity or sunlight); reduced host immunity (possibly due to variations in nutrition, sunlight, or co-infections); and increased host mixing due to seasonal variations in behavioural patterns (such as increased time spent indoors during rainy or cold periods, and school terms) [4,5]. Identifying the drivers of seasonality has potential benefit beyond improving the

understanding of disease transmission. As well as improving the prediction of disease burdens in the context of global change, host factors such as poor nutrition are amenable to intervention, which may prove more effective if timed correctly [4].

In previous studies in the Philippines, we have found that seasonal variations in child nutrition, as well as in meteorological factors (rainfall, sunshine and relative humidity) were associated with the seasonality of ALRI admissions in children [6,7]. The lag time between the seasonal peaks in these potential driving factors and the peaks in the yearly ALRI epidemics varied considerably. High rainfall and relative humidity, and low levels of sunshine all occurred within a few weeks before or after the seasonal peak in ALRI. In contrast nutritional status was poorest 10 weeks before the seasonal peak in ALRI. In this setting in the Philippines the seasonal peaks in ALRI admission are coincident with the peaks in cases of microbiologically confirmed RSV [6]. From a modelling perspective, drivers of transmission act by altering the transmission coefficient (β) which is a measure of the transmissibility of the infection (the rate at which an infectious person in the population infects susceptible people in the population) at any point in time. Note that transmissibility differs from transmission – although

transmissibility may be high at a particular point in time, the number of infections actually occurring will also depend on the number of infectious and susceptible individuals at the time [4,8]. Previous modelling suggests the lag between the yearly peak in β and the yearly peak in the incidence of infections may be in the order of one to three months for RSV infection [9]. With this in mind we have used an RSV transmission model to estimate when the seasonal scale variations in β would need to occur in order to reproduce the observed seasonality in RSV admissions in our study population. We have then compared this seasonal pattern of β to the seasonal patterns of potential environmental drivers of transmission: rainfall, humidity, and temperature patterns, nutritional status, and school holidays, in order to better assess their epidemiological plausibility.

Ethics Statement

The trial “Effectiveness of an 11-valent pneumococcal conjugate vaccine against pneumonia in Philippine children: A double-blind, placebo-controlled, randomised, multicentre, effectiveness study” was approved and monitored by the Ethical and Institutional Review Board of the Research Institute for Tropical Medicine (RITM), the Philippines. Written informed consent was obtained from parents/guardians prior to enrolling infants into the trial. In a small minority of cases both parents were illiterate. In these instances a witness independent of the research team (a relative or neighbour) attested to (1) that the information provided to the parent was from the information sheet, (2) that the parent was given the opportunity to ask questions, and (3) that the parent provided verbal consent for the child to participate in the study. The witness then signed the consent form on behalf of the parent. The Ethical and Institutional Review Board of the RITM approved the consent protocol and information sheets. This retrospective analysis used de-identified data collected during the trial. Ethical approval for the analysis in this paper was granted without the need to seek additional consent, by the University of Queensland School of Population Health Research Ethics Committee in June 2011 (Ethics approval SP070711).

Methods

ALRI admissions data were collected during a randomised controlled trial to investigate the efficacy of pneumococcal conjugate vaccine (PCV) in Bohol Province in the Philippines, between 2000 and 2004 [10,11]. Study personnel were permanently assigned to hospitals involved with case ascertainment, and respiratory infections were assessed and recorded in all children living in the trial municipalities who were admitted to local health care facilities over the course of the trial. Nasal wash specimens

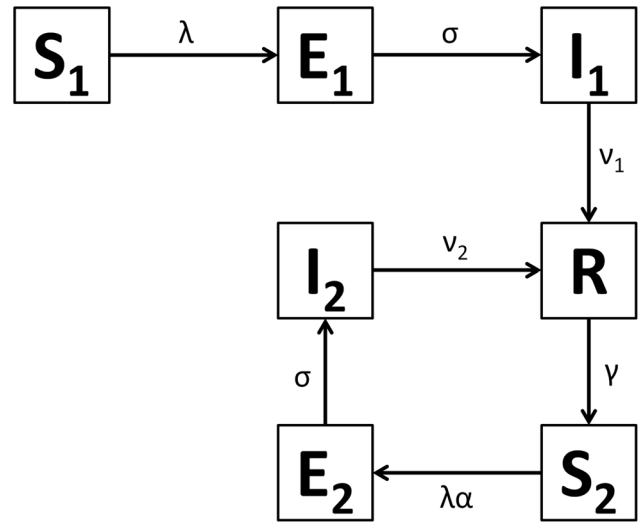


Figure 1. RSV model schematic. S_1 are susceptible individuals before their first RSV infection. E_1 are individuals infected for the first time but not yet infectious. I_1 are individuals infected for the first time and now infectious. R are individuals recovered from infection and temporarily resistant to reinfection. S_2 are partially susceptible individuals before later RSV infections. E_2 are individuals with subsequent infections but not yet infectious. I_2 are individuals with subsequent infections and now infectious. doi:10.1371/journal.pone.0090094.g001

were collected from children admitted to the Bohol Regional Hospital with ALRI, and from 1 in 3 children diagnosed with ALRI at the outpatient clinic. Children with a positive RSV polymerase chain reaction (PCR) result were included in this study.

A. Model Structure

Figure 1 shows the structure of our RSV model. The rates of movement between the different epidemiological categories are given by the following differential equations (parameter definitions are given in Table 1):

$$\frac{dS_1}{dt} = \mu_S - \mu S_1 - \lambda S_1$$

$$\frac{dE_1}{dt} = \lambda S_1 - \sigma E_1 - \mu E_1$$

Table 1. Parameter estimates used in the model.

Parameter	Notation	Model estimates
Force of infection	λ	Mean = 0.0022 to 0.0037 day ⁻¹
Mean latent period	$1/\sigma$	4 to 6 days
Mean duration of infection in category I_1	$1/v_1$	5 to 6 days
Mean duration of infection in category I_2	$1/v_2$	4 days
Degree of infectiousness (I_2/I_1)	δ	0.5 to 0.8
Rate of loss of short term immunity ($R \rightarrow S_2$)	γ	0.012 to 0.024 day ⁻¹
Susceptibility in category S_2	α	0.68 to 0.84

doi:10.1371/journal.pone.0090094.t001

$$\begin{aligned} \frac{dI_1}{dt} &= \sigma E_1 - v_1 I_1 - \mu I_1 \\ \frac{dR}{dt} &= v_1 I_1 + v_2 I_2 - \mu R - \gamma R \\ \frac{dS_2}{dt} &= \gamma R - \mu S_2 - \lambda S_2 \alpha \\ \frac{dE_2}{dt} &= \lambda S_2 \alpha - \sigma E_2 - \mu E_2 \\ \frac{dI_2}{dt} &= \sigma E_2 - v_2 I_2 - \mu I_2 \end{aligned} \quad \beta = \begin{cases} \varepsilon \left[1 - \psi \left(\frac{5}{6} \right) \right] & \text{if } \theta < -0.87 \\ \varepsilon \left[1 + \psi \left(\frac{1}{6} \right) \right] & \text{otherwise} \end{cases}$$

The model was integrated over daily time steps using Runge-Kutta 4 integration. The model is frequency dependent (all the model compartments sum to 1). Fully susceptible individuals (S_1) are infected at rate λ (the force of infection) which is dependent on the transmission coefficient (β) and the proportion of infectious individuals (categories I_1 for primary infection and I_2 for subsequent infections):

$$\lambda = \beta(I_1 + \delta I_2)$$

δ allows for variable transmission from subsequent infections and α allows for a variable level of susceptibility to subsequent infections when in category S_2 . For both primary and subsequent infections, there is a latent period of infection during which time individuals are exposed but not yet infectious (respectively, E_1 and E_2). Following the infectious period (respectively, I_1 and I_2), individuals move to the recovered, non-susceptible (R) category at rate v_1 and v_2 respectively. The recovered, non-susceptible state is temporary, with individuals moving from this category to the S_2 category at rate γ . The transmission coefficient (β) takes into account host, pathogen and environmental factors that influence transmission [12].

We have modelled the seasonal variation in the transmission coefficient using a cosine function. The timing of the yearly peaks in the transmission coefficient is defined by the phase (ϕ) of the cosine wave:

$$\beta = \varepsilon \left[1 + \psi \cos \left(2\pi \left(\frac{t + \phi}{365} \right) \right) \right]$$

ε is the average value of β , and ψ is the magnitude of the seasonal variation (as a proportion of ε). We also examined a second version of the model with a seasonal forcing function describing a square wave with decreased transmissibility over 2 months of the year. The timing and magnitude of the square wave is determined by an underlying cosine wave:

$$\theta = \cos \left(2\pi \left(\frac{t + \phi}{365} \right) \right)$$

This second version of the model approximates the expected effect of school summer holidays (April–May). Although most symptomatic RSV infection occurs in infants and children too young to attend school, household studies suggest that RSV infection is often introduced into households by school aged siblings (although the proportion of household outbreaks attributed to RSV being introduced by school aged siblings varies considerably between studies) [13,14].

Seasonality of births can also influence the seasonality of infections, in particular the seasonality of first infections [15]. We simulated this by allowing for seasonality in the birth rate, fitting a cosine wave to local birth data. Here, μ_s denotes the seasonal birth rate, and μ denotes the mean birth rate (set at the Philippines birth rate of 7×10^{-5} of the total population per day).

$$\mu_s = \mu \left[1 + 0.1 \cos \left(2\pi \left(\frac{t + 79}{365} \right) \right) \right]$$

B. Parameter Estimates

B1. Average force of infection (mean λ). We have based our estimate of the force of infection on two studies measuring the incidence rate of first RSV infection over a number of years. Both studies used active case finding to identify children with respiratory infection, who were then tested for RSV infection. The first study is a follow up of two birth cohorts ($n = 635$) in the rural setting of Kilifi, Kenya [16]. RSV was confirmed using immunofluorescence testing of nasal specimens and/or seroconversion. The rate of first RSV infection was 0.55 (95% CI 0.50 to 0.61) per child year over the first three years of life, equivalent to a rate of 0.0022 per day. The second study is a follow up of a single birth cohort ($n = 125$) from the urban setting of Houston, USA [17]. This study identified RSV cases using viral culture of nasal specimens and/or seroconversion, and found a rate of first RSV infection of 0.74 (95% CI 0.62 to 0.89) per child year over the first three years of life, equivalent to a rate of 0.0037 per day.

A number of studies have examined the seroprevalence of anti-RSV IgG antibodies according to age [16,18,19,20,21,22]. Estimating the force of infection from these studies is problematic because of the highly seasonal nature of RSV infection (measuring seroprevalence just after the seasonal peak in RSV incidence will overestimate the average force of infection, while measuring seroprevalence just before the seasonal peak will underestimate the average force of infection). These studies suggest a relatively constant risk of RSV infection occurs over the first few years of life, with seroprevalence in the order of 90% by three years of age. In Figure 2 we compare the results of these seroprevalence studies with the RSV rates from the birth cohort studies from Kilifi and Houston. While the rate from the Kilifi study falls in the centre of the estimates from the seroprevalence studies, the rate from the Houston study appears to be higher than average.

We have used the rate of first RSV infections from the Kilifi study (0.0022 per day) as the estimate for mean λ for our model. In addition, in order to investigate how a higher than average risk of infection affects RSV seasonality, we also fitted the model using

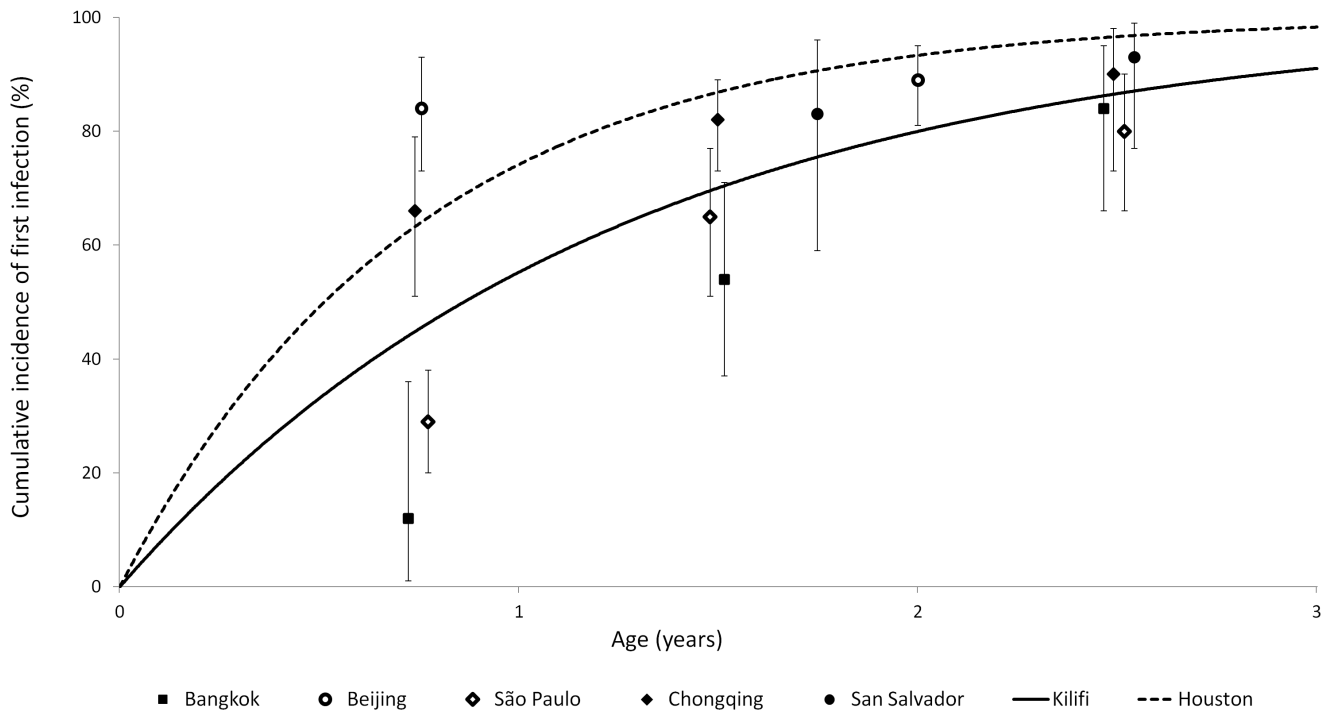


Figure 2. Cumulative incidence of first RSV infection according to age. Mean RSV incidence from birth cohorts in Kilifi and Houston (lines) compared to results from anti-RSV IgG seroprevalence surveys (data points with 95% CIs). doi:10.1371/journal.pone.0090094.g002

mean λ equal to the rate of first RSV infections from the Houston study (0.0037 per day).

B2. Susceptibility to reinfection. Previous infection with RSV provides incomplete immunity [23,24,25]. Natural immunity to RSV appears to have two aspects. Firstly, there appears to be a long term partial immunity following first infection, which we have modelled with a reduced susceptibility in the S_2 category. This may be due to specific immunity following first RSV exposure, and/or the maturing of the infant immune system with age [16]. For the purposes of the model the distinction is not crucial. Secondly, there appears to be additional short term immunity following any RSV infection, which we have modelled by using the SEIRS (susceptible, exposed, infectious, recovered, susceptible) structure (as shown in Figure 1) rather than an SEIS structure. In the SEIRS model, individuals in the R category are resistant to infection, thus γ (the rate that these individuals transition from the R category to the S_2 category) determines the duration of their short term immunity.

We estimated the susceptibility in the S_2 category (α) as follows. It is generally accepted that susceptibility to first RSV infection is 100% (once protection from maternal antibody is lost). Infants in high exposure settings such as child care show RSV incidence approaching 100% during their first RSV season [26,27]. Bearing this in mind, we considered that the attack rate following experimental infection of young adult volunteers should give an estimate of the susceptibility to infection in category S_2 . We identified four such studies [24,28,29,30] (Table 2). Pooling the results of these studies gives $\alpha = 0.77$ (95% CI 0.68 to 0.84). We also found four observational studies in children where the relative risk of subsequent infection a year or more after first RSV infection was able to be calculated from the published data [16,17,26,27] (Table 2). We pooled the results from these studies (weighted according to the number of children at risk of reinfection in each study) and the result (RR = 0.76) was consistent

with the adult infection studies. In the model we use 0.68 to 0.84 for α .

We estimated the rate of loss of short term immunity to reinfection (γ) as follows. We could not use data from observational studies to assess the short term risk of reinfection because these will be prone to bias due to the highly seasonal nature of RSV infection (as most people are infected with RSV during the seasonal epidemics, their risk from naturally occurring infection in the months following this will be low regardless of their degree of susceptibility). For this reason we have based our estimate of short term immunity on data from the single study investigating experimental reinfection of volunteers soon after confirmed

Table 2. Data used to estimate susceptibility in S_2 category in the model.

Setting	Study type	Susceptibility in S_2 category
UK [29]	Experimental infection in adults	0.74 (0.49 to 0.91) ^a
USA [24]	Experimental infection in adults	0.76 (0.58 to 0.89) ^a
USA [28]	Experimental infection in adults	0.78 (0.62 to 0.89) ^a
USA [30]	Experimental infection in adults	0.77 (0.60 to 0.90) ^a
Kenya [16]	Observation study in children	0.93 (0.69 to 1.24) ^b
USA [17]	Observation study in children	0.71 (0.61 to 0.84) ^b
USA [26]	Observation study in children	0.72 (0.62 to 0.84) ^b
USA [27]	Observation study in children	0.67 (0.55 to 0.81) ^b

^aProportion (infected/challenged).

^bRR (second infection/first infection, where second infection 12 or more months after first infection).

doi:10.1371/journal.pone.0090094.t002

natural RSV infection [23]. In this study 47% (95% CI 21% to 73%) of the subjects were infected upon experimental exposure to RSV two months after natural infection. We calculated γ by fitting a function:

$$\frac{dY}{dt} = \gamma[100 - Y]$$

where Y is the population level susceptibility to reinfection, and t is the time following infection, to pass through the data point from this experimental study (47% susceptible at 2 months after previous infection) and then reach our estimate for α (77% susceptible at 12 or more months after first infection). This gave $\gamma = 0.016$ per day. For the model we have used a range from 0.012 per day to 0.024 per day. The lower limit of the range is the lowest rate that will result in 100% of individuals having moved to category S_2 within 1 year following infection. The upper limit of the range is 50% above the 0.016 estimate.

B3. Latent period ($1/\sigma$). Studies of household RSV spread have found the serial interval to be approximately six to seven days [13,14]. In four studies of experimental infection of adult volunteers, shedding was found to start at a mean of 6 days, 4.4 days, 4.4 days, and 4.0 days after inoculation (respective study sizes were 15, 30, 22 and 35) [23,24,28,30]. In one of these studies it was noted that the latent period depended on the size of the infective dose, which may explain the differences between these three studies [24]. Standard texts estimate the mean incubation period to be 5 days [31]. The latent period is likely to be similar, as infectiousness will increase with the onset of symptoms, even if virus can be isolated prior to this [28]. In the model we use a mean latent period of 4 to 6 days. For the purpose of fitting the model to the observed RSV cases, we assume the latent period and incubation period are equal.

B4. Duration of infectiousness ($1/v_1$ and $1/v_2$). We have assumed the infectious period is the same as the duration of RSV shedding. Data from community studies are summarised in Table 3 (we excluded two studies measuring shedding in hospitalised children because more severe disease increases shedding duration [32,33]). The Kenyan study summarised in Table 3 indicates that shedding duration varies according to the history of previous RSV infection [34]. In this study the mean duration of RSV shedding in those having had a previous RSV infection was 4.0 days, which is

consistent with the results from four experimental infection studies in adults [23,24,30,35]. Shedding appears longer in young children (approximately 5 to 6 days) consistent with the increased shedding duration during first RSV infection in the Kenyan study (5.1 days) [32,34,36]. In the model we use a mean duration of infectiousness of 5 to 6 days for individuals in category I_1 , and 4 days for individuals in category I_2 .

B5. Relative degree of infectiousness between categories I_2 and I_1 (δ). In a series of studies the degree of RSV shedding was found to be lower in adults (mean 3.0 \log_{10} TCID₅₀/ml, $n = 29$) [23,35], compared to hospitalised children aged less than 3 years (4.3 \log_{10} TCID₅₀/ml, $n = 19$) [32]. This limited evidence suggests that individuals in category I_2 are 0.7 times as infectious (in addition to having a shorter duration of infection) than those in category I_1 . A recently published RSV model with lifelong partial immunity following first infection used a relative degree of infectiousness between individuals in category I_2 compared to category I_1 of 0.6, and achieved good fitting to incidence data from a number of settings with varied seasonal patterns [37]. In the model we use 0.5 to 0.8 for δ .

C. Model Fitting

We have fitted the incidence of I_1 to the observed RSV cases, as the risk of severe disease and hospital admission is highest upon first infection [17,26]. To fit the model to the observed monthly RSV cases, we first scaled up the cumulative incidence of I_1 for each month to calculate the predicted monthly number of RSV cases (we derived the scaling factor from the mean number of observed RSV cases per year divided by the yearly cumulative incidence of I_1 in the model at equilibrium). The seasonal forcing parameters ϵ , ψ and ϕ were derived from fitting the predicted number of RSV cases to the observed RSV cases, while at the same time fitting the model to the estimated average force of infection (mean λ) in the population. As the latent and incubation periods are the same in our model, the seasonal pattern of disease incidence will be coincident with the seasonal pattern of the incidence of I_1 . A formal least squares approach was used for model fitting. The parameter estimates used in the model are summarised in Table 1. Parameters were varied in a stepwise manner to maximise and minimise the time lag between the seasonal peak in β and the seasonal peak in RSV incidence, in order to form a range of epidemiologically plausible lag periods.

D. Assessing Potential Drivers of RSV Seasonality

After using the model to estimate the seasonal pattern of β , we then compared this to the seasonal patterns of candidate drivers of RSV seasonality (meteorological factors, school holidays, and the seasonality of nutritional status). Meteorological factors examined were the number of days per week with rainfall >5 mm (chosen to incorporate both rainfall frequency and intensity) and mean relative humidity and mean temperature. In addition we estimated the dew point temperature (a measure of absolute humidity) from the mean relative humidity and mean temperature [38]. Meteorological data were recorded at the Philippine Atmospheric, Geophysical and Astronomical Services Administration (PAGASA) offices in Tagbilaran. All trial municipalities were within 25 km of Tagbilaran. The number of rainy days per week also serves as a proxy measure of sunshine hours, as these variables are negatively correlated in this tropical setting [7]. The seasonality of infant nutritional status was depicted using a time series of estimated birth weight in the PCV trial participants [6]. While birth weight is dependent on maternal nutrition, we have previously shown in our study setting that birth weights are lowest when rice production is lowest, and the seasonal trough in birth

Table 3. Data on the duration of RSV shedding used to estimate the infectious period.

Setting	n	Age	Mean duration of RSV shedding
Kenya [34]	96	First infection	5.1 days (95% CI 4.2 to 6.2 days)
	96	Previously infected	4.0 days (95% CI 3.3 to 4.9 days)
USA [24]	22	Adults	3.5 days
USA [23]	12	Adults	4.7 days
USA [35]	118	Adults	3.9 days
USA [30]	35	Adults	3.6 days
USA [36]	44	Less than 4 years	5 to 6 days
USA [32]	12	Less than 2 years	9.0 days (95% CI 2.0 to 16.0 days)

doi:10.1371/journal.pone.0090094.t003

Table 4. Results from the cosine β model.

Mean λ		γ	α	σ	v_1	v_2	δ	ε	ψ	φ	Res	Lag
0.0022	Longest lag	0.024	0.68	0.17	0.17	0.25	0.5	0.72	0.20	140	24.9	67
	Best fit	0.012	0.84	0.25	0.17	0.25	0.5	0.64	0.13	123	24.6	51
	Shortest lag	0.012	0.84	0.25	0.17	0.25	0.8	0.42	0.13	122	24.6	49
0.0037	Longest lag	0.024	0.68	0.17	0.17	0.25	0.5	0.78	0.14	116	26.0	43
	Best fit	0.012	0.84	0.25	0.17	0.25	0.8	0.47	0.12	81	24.1	9
	Shortest lag	0.012	0.84	0.25	0.17	0.25	0.5	0.72	0.11	77	24.4	6

The lag is from the seasonal peak in β to the seasonal peak in RSV cases predicted by the model. Lag and φ are in days. The values of λ , γ , σ , v_1 and v_2 are rates per day. Res is the residuals following fitting the model to the observed RSV data (the square root of the sum of the squares of the difference between the monthly number of observed RSV cases and the monthly number of RSV cases predicted by the model).

doi:10.1371/journal.pone.0090094.t004

weight is coincident with a seasonal trough in infant growth [6]. Similarly, a study from Bangladesh found that the seasonality of birth weight was correlated both with nutrition in children aged less than five years, and with rice availability [39]. The seasonal scale variations of these environmental exposures were calculated using locally weighted regression scatter plot smoothing (lowess) using a five month bandwidth, before being compared to our estimate of the seasonal pattern of β .

Results

Modelling the seasonality in births alone without additional seasonal variation in β could not reproduce the observed seasonality in RSV admissions, with the modelled incidence of RSV cases varying by less than 10% over the calendar year. Table 4 shows the results of the cosine β model, including the results for the parameter combinations resulting in the best model fit to the observed data, as well as the longest and shortest lag between the seasonal peak in β and the seasonal peak in RSV cases predicted by the model. While there is little difference in the model fit between the different parameter combinations (as demonstrated by the similarly sized residuals) the lag between the seasonal peak in β and the seasonal peak in RSV cases predicted by the model varies considerably. For the scenarios with a mean λ of 0.0022 this lag ranges from 67 days to 49 days. For the scenarios with a mean λ of 0.0037 (above average force of infection) the range of this lag is much wider, from 43 days to 6 days. Table 5 shows the results of the square wave β model, including the results for the parameter combinations resulting in the best model fit to the observed data, as well as the longest and shortest lag between the seasonal peak in RSV cases predicted by the model and the start of the square wave. The square wave β model does not fit the observed data as well as the cosine β model,

as demonstrated by the larger residuals. For the scenarios with a mean λ of 0.0022 the lag between the seasonal peak in RSV cases predicted by the model and the start of the square wave ranges from 31 days to 68 days. For the scenarios with a mean λ of 0.0037 (above average force of infection) the range of this lag is from 80 days to 129 days. Figure 3 shows the cosine β and square wave β models fitted to the observed RSV cases, for the scenario with a mean λ of 0.0022 and the parameter combinations resulting in the best model fit to the observed data.

Figure 4 shows the seasonal pattern of β estimated from the cosine β model with mean λ of 0.0022, compared to the seasonal scale variations in the potential environmental drivers. The environmental data are plotted relative to the centre of the yearly RSV epidemics, which occurred at slightly different times each year. The nutrition index (estimated weight for age z-score at birth) is consistently at its minimum 10 weeks before the centre of the yearly epidemics, compared to the seasonal peak in β , which occurred 7 weeks (51 days) before the peak in RSV cases. Although rainfall does not show a consistent seasonal peak, the seasonal trough in rainfall occurs consistently 17 to 18 weeks after the centre of the yearly RSV epidemics, compared to the seasonal trough in β , which occurred 19 weeks (131 days) after the peak in RSV cases. In contrast, relative humidity, dew point and temperature do not show clear relationships with the seasonal pattern of β . Performing a similar analysis for school terms indicates that school holidays begin after the predicted square wave. This can be seen in Figure 3 (summer school holidays in the Philippines begin in late March to early April).

Discussion

We have found that the observed seasonality of RSV admissions in our study setting can be replicated by an RSV transmission

Table 5. Results from the square wave β model.

Mean λ		γ	α	σ	v_1	v_2	δ	ε	ψ	φ	Res	Lag
0.0022	Shortest lag	0.024	0.68	0.17	0.17	0.25	0.5	0.72	0.48	164	29.3	31
	Best fit/longest lag	0.012	0.84	0.25	0.17	0.25	0.5	0.65	0.47	156	26.9	68
0.0037	Shortest lag	0.024	0.68	0.17	0.17	0.25	0.5	0.79	0.55	143	28.5	80
	Best fit/longest lag	0.012	0.84	0.25	0.17	0.25	0.5	0.73	0.51	100	25.7	129

The lag is from the seasonal peak in RSV cases predicted by the model to the start of the square wave. Lag and φ are in days. The values of λ , γ , σ , v_1 and v_2 are rates per day. Res is the residuals following fitting the model to the observed RSV data (the square root of the sum of the squares of the difference between the monthly number of observed RSV cases and the monthly number of RSV cases predicted by the model).

doi:10.1371/journal.pone.0090094.t005

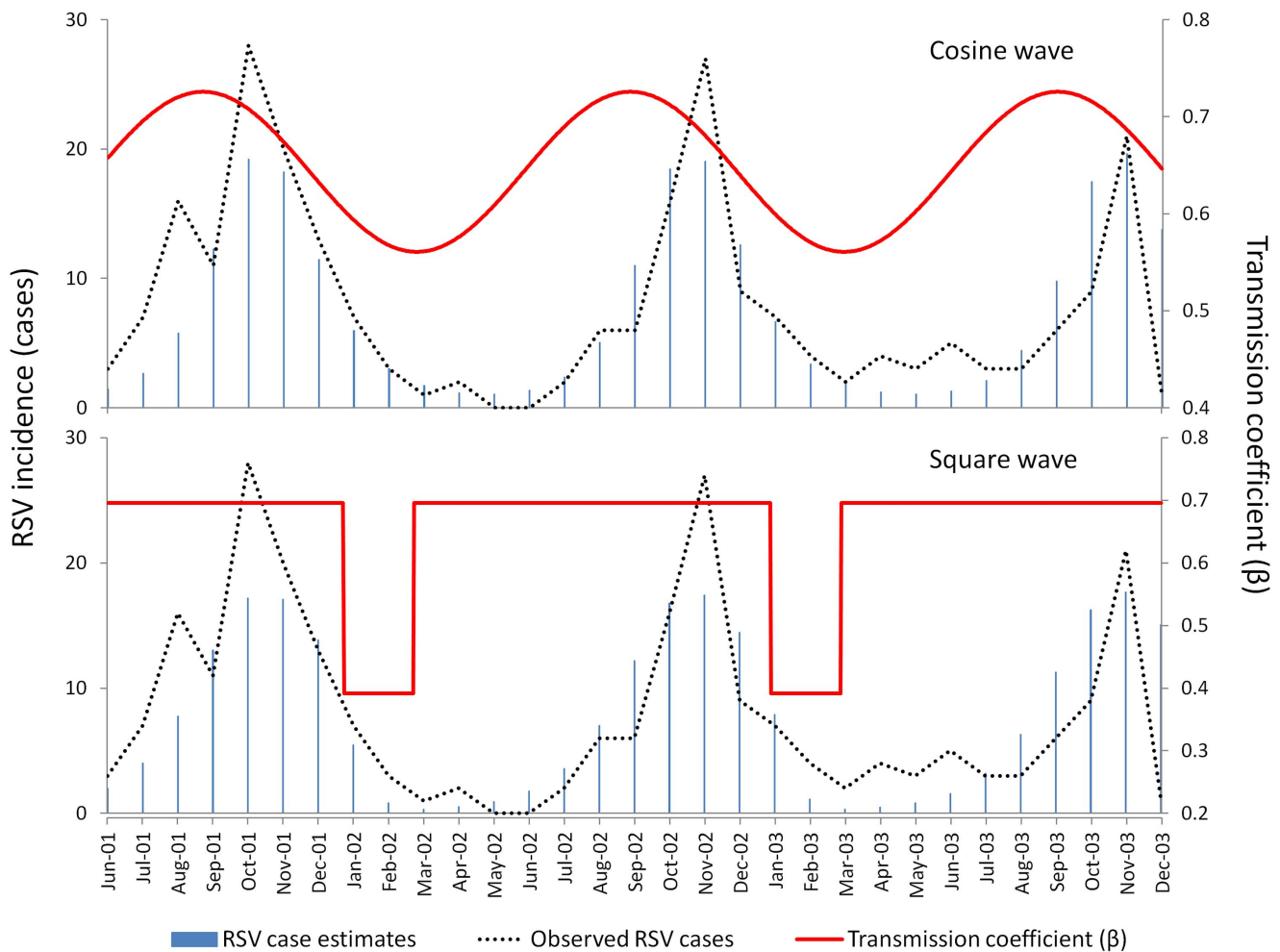


Figure 3. Results of the RSV model. RSV case estimates derived from the model were fitted to the observed number of RSV cases. Mean $\lambda = 0.0022$ per day. Data from Bohol, the Philippines, 2001 to 2004. doi:10.1371/journal.pone.0090094.g003

model with a transmission coefficient (β) following a seasonal cosine wave that is maximal 51 days (range 67 days to 49 days) before the yearly peak in RSV admissions. This is consistent with the findings from previous modelling of RSV infection, which suggests that peak RSV transmissibility precedes yearly RSV epidemics by one to three months [9]. Seasonal malnutrition in our study setting (as measured by seasonal variation in birth weight and infant growth) is consistently at its worst 10 weeks before the yearly RSV epidemics [6]. This lag is slightly longer than the 51 days predicted by the model, however there are three mechanisms we have not modelled which would lead to an additional delay between peak seasonal malnutrition and peak RSV admissions. Firstly, we have not factored in health care seeking delays: the children with RSV in our study had an average delay of 5 days between the onset of cough and admission. Secondly, the immune effects of malnutrition may lag behind the anthropometric effects: studies of the treatment of malnutrition in children indicate that immune recovery lags up to a month behind anthropometric recovery [40,41,42]. Thirdly, not all children suffer from malnutrition in our study setting, thus successive generations of infection are required before seasonal forcing in the malnourished subgroup could drive RSV incidence in the wider population. Rainfall is high most of the year in our study setting, and shows a consistent trough 17 to 18 weeks after the yearly RSV epidemics.

This is also consistent with our model, which predicts the seasonal trough in β occurring 131 days (19 weeks) after the yearly peak in RSV cases. Factoring the health care seeking delay discussed above would mean the seasonal trough in β actually occurs 18 weeks after the yearly peak in RSV cases, precisely coincident with the observed trough in rainfall. The seasonal patterns of temperature, dew point and relative humidity are not consistent with the predicted seasonal pattern of β . The small magnitude of the seasonal variation in these exposures (mean temperature and dew point vary by approximately 2°C through the year, while mean relative humidity varies by approximately 5% through the year) also suggests that these exposures are unlikely to be playing a major role in driving the seasonality of RSV in this setting. School summer holidays appear to occur too late to play a dominant role in driving RSV incidence in infants in this setting. In addition, the timing of school holidays relative to yearly RSV epidemics is very different in other tropical climates, suggesting school holidays do not play a dominant role in RSV seasonality in the tropics. For example in northern Australia and in southeast Florida RSV incidence is highest soon after school summer holidays [43,44].

Seasonal malnutrition is a biologically plausible driver of RSV seasonality: poor infant growth leaves children weakened and vulnerable to infection [45], and is a known risk factor for RSV associated ALRI [46,47,48,49]. If rainfall is driving RSV

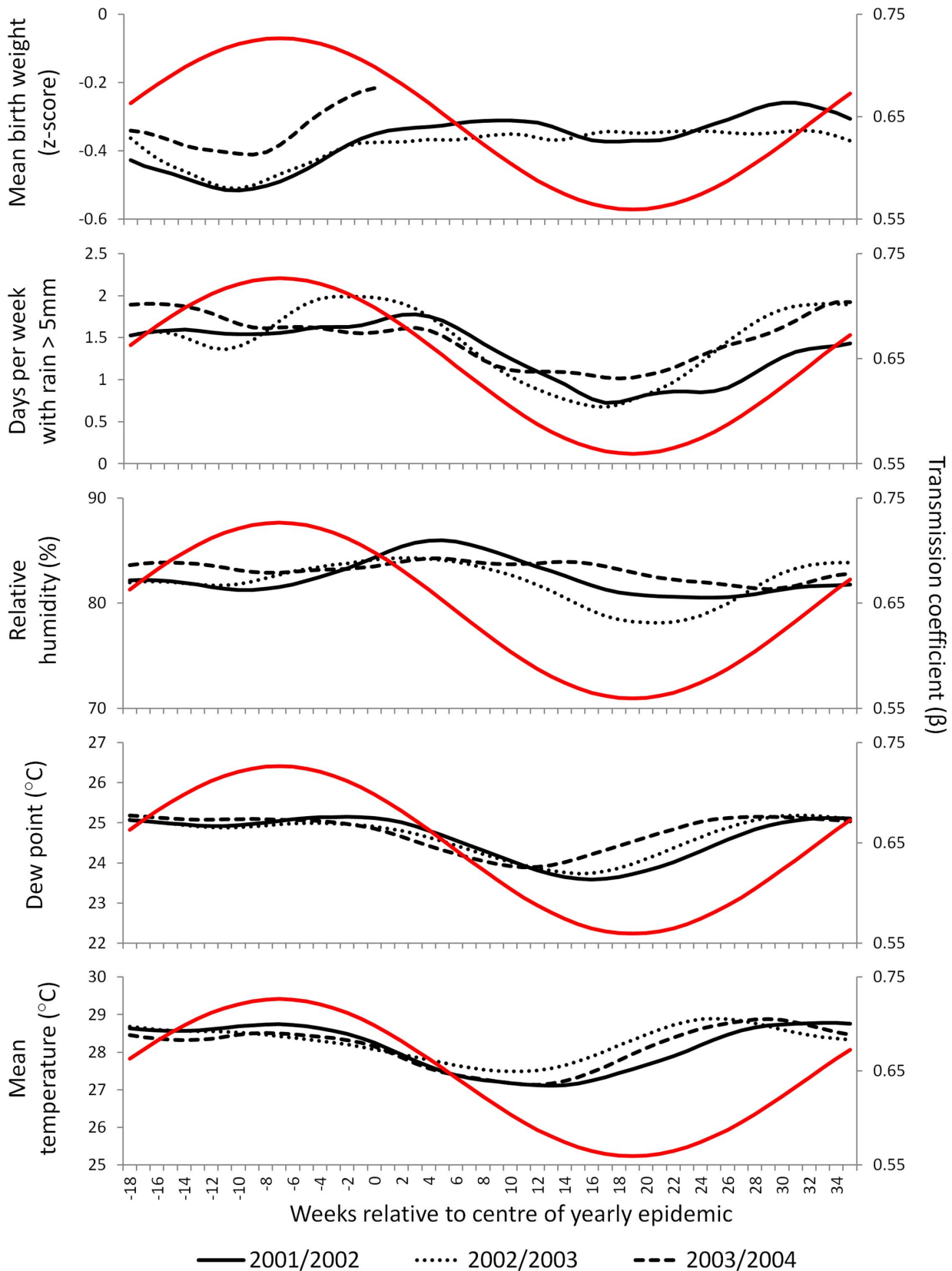


Figure 4. Timing of the estimated seasonal variation in the transmission coefficient (β) relative to observed seasonal exposures. The red line shows the estimated variation in β . The black lines show the variation in the observed exposures. Data from Bohol, the Philippines, 2001 to 2004.

doi:10.1371/journal.pone.0090094.g004

transmission in this setting, the mechanism of action is less clear. Although high rainfall is linked to high humidity, our results suggest that changes in humidity are not the principle mechanism of action. It is hypothesised that adverse weather conditions such as increased rainfall could lead to increased indoor crowding, increasing respiratory virus transmission [5,50]. There are little empirical data available to test this hypothesis. One study from the tropical setting of Bangladesh found an increased risk of respiratory infection following rainy days only occurred in households with three or more people per room, suggesting that the increased risk of RSV infection in crowded households is more pronounced during rainy days [51]. Cloud cover is increased during the rainy season. In tropical latitudes the amount of sunshine is dictated more by cloud cover than day length, with the lowest amount of sunshine during the rainy season. Low levels of 25-hydroxyvitamin D appear to be a risk factor for ALRI due to RSV in infants [52]. If children have higher vitamin D levels during the dry, sunny season this could reduce transmissibility by increasing innate defences in susceptible children. Whether vitamin D deficiency occurs in children in this tropical setting is unknown, as is the timing of any seasonal deficiency (in temperate settings, variations in vitamin D levels appear to lag 1 to 2 months behind variations in sunshine levels [53,54], however the temporal relationship may be different in the tropics). These questions could be addressed directly by studies measuring the seasonal variation in Vitamin D levels in children in tropical settings. Increased sunshine may also act to directly kill pathogens in the environment [5].

It is possible that seasonal variations in both nutrition and rainfall could act synergistically to drive RSV transmission in this setting. According to our model, either exposure could potentially drive seasonality alone; however it is not clear if variations in either nutrition or rainfall patterns are large enough to drive the transmission coefficient to the necessary amplitude. If more than one mechanism was acting, each need only be responsible for part of the variation in the transmission coefficient.

Our model is based on a previous RSV model developed by Weber et al [9], however our model differs in several aspects. A central issue with RSV models is modelling partial immunity to reinfection. The previous model by Weber et al used stepwise reductions in susceptibility to reinfection following first, second and later infection cycles. In our model, after the first RSV infection, individuals have the same (reduced) susceptibility to any subsequent infections. Individual level studies examining this have not found a significant difference between the susceptibility to second and third RSV infection, indicating that our simplification is reasonable [16,17,26]. In addition, susceptibility to RSV infection appears similar in adults who have had many previous RSV infections, as well as in children who have had only one previous RSV infection (Table 2). Our second simplification to the Weber model is we do not include an epidemiological compartment for infants with maternal anti-RSV antibodies (i.e. all infants are born fully susceptible). This simplification has been used previously [37,55]. Some of our parameter estimates differ from those used by Weber et al, in particular our estimates for the rate of loss of short term immunity (γ) and the duration of infectiousness (v_1 and v_2). In our model we chose a minimum value of $\gamma = 0.012$ per day, compared to $\gamma = 0.005$ per day in Weber et al. We limited γ to values above 0.012 per day as this is the lowest rate that will result in all infected subjects losing their partial immunity by one year following infection. This appears to be a reasonable assumption: data from Kenya and the USA suggest short term immunity lasts no more than a year [16,17]. In contrast to our estimates for the duration of infectiousness (5 to 6

days for first infections and 4 days for later infections), Weber et al used 10 days. Our estimates were based on data from 7 studies examining RSV shedding, the two largest of which were published after the Weber model was developed. In addition, we specifically excluded studies examining RSV shedding in hospitalised children, as shedding duration is prolonged in children with RSV associated ALRI [32,33], who make up only a small fraction the RSV cases occurring in the general population.

Our results show that the lag between the seasonal peak in β and the seasonal peak in RSV cases is substantially shorter if the mean force of infection (λ) is higher. We have used the average rate of first RSV infection in Kilifi (0.0022 per day) [16] as the mean force of infection for our primary analysis, while we have used the average rate of first RSV infection in Houston (0.0037 per day) [17] to give an indication of the effect of a particularly high force of infection. We used the Kilifi data to derive our primary force of infection estimate for two reasons. Firstly, Kilifi is similar to our study setting of Bohol in that both are rural, coastal settings in the tropics. Secondly, the average rate of first infection in Kilifi appears to be more consistent with the results from the seroprevalence studies in the literature than the rate of first infection in Houston (Figure 2). The authors of the Houston paper note that the cumulative incidence of infection in their study was similar to that found in child care settings in other similar studies, which suggests a particularly high risk of infection over the two years of the Houston study. While using the average rate of first RSV infection in Kilifi as the mean force of infection for our primary analysis appears valid, it is clear that for the best precision when estimating the seasonal pattern of β , precise measurement of the local force of infection is desirable.

In Figure 4 we plotted the environmental data relative to the centre of the actual yearly RSV epidemics, because epidemics occurred at slightly different times each year (the 2002/2003 epidemic occurred 56 weeks after the 2001/2002 epidemic, while the 2003/2004 epidemic occurred 50 weeks after the 2002/2003 epidemic). In doing so we have implicitly assumed year to year differences in the timing of the epidemics are due to differences in the timing of seasonal drivers, rather than due to differences from year to year in the amplitude of the seasonal forcing. However, as discussed in the previous paragraph, a higher force of infection is associated with a shorter lag between the seasonal peak in β and the seasonal peak in RSV cases. Thus a year with particularly intense seasonal increase in β would be expected to have an earlier RSV epidemic. Further modelling incorporating year to year differences in the amplitude of seasonal forcing may shed additional light on seasonality, particularly if modelling incidence during extreme rainfall events, or during poor harvests.

Our findings contribute to the current epidemiologic understanding of RSV, the most common cause of ALRI in infants and children [56]. We have shown that seasonal scale drivers of transmissibility can act several weeks before and/or after the seasonal peaks in RSV incidence, and thus it is important to incorporate the non-linear dynamics of infectious disease transmission when examining potential drivers of infectious disease seasonality. Our results indicate that the timing of seasonal variations in nutrition and rainfall patterns in this tropical study setting are epidemiologically consistent with them being plausible drivers of RSV seasonality.

Acknowledgments

This study is part of the research of the ARIVAC Consortium. The ARIVAC Consortium thanks and acknowledges the participation of the infants, parents, staff, Local Government of the Province of Bohol and Local Government Units (LGUs) of Baclayon, Balilihan, Cortes, Dausi,

Panglao and Tagbilaran City; staff of the Pathology and Pediatric Departments of the BRH, and the private hospitals Tagbilaran Community Hospital, Borja Family Clinic, Medical Mission Group of Hospitals, Ramiro Community Hospital, St. Jude Hospital, Englewood Hospital, and Tagbilaran Puericulture Center. We thank PAGASA for access to meteorological data from Tagbilaran.

References

- Lozano R, Naghavi M, Foreman K, Lim S, Shibuya K, et al. (2012) Global and regional mortality from 235 causes of death for 20 age groups in 1990 and 2010: a systematic analysis for the Global Burden of Disease Study 2010. *The Lancet* 380: 2095–2128.
- Weber MW, Mulholland EK, Greenwood BM (1998) Respiratory syncytial virus infection in tropical and developing countries. *Tropical Medicine & International Health* 3: 268–280.
- Shek LP-C, Lee B-W (2003) Epidemiology and seasonality of respiratory tract virus infections in the tropics. *Paediatric Respiratory Reviews* 4: 105–111.
- Grassly N, Fraser C (2006) Seasonal infectious disease epidemiology. *Proc R Soc B* 273: 2541–2550.
- Tamerius J, Nelson MI, Zhou SZ, Viboud C, Miller MA, et al. (2011) Global influenza seasonality: reconciling patterns across temperate and tropical regions. *Environmental health perspectives* 119: 439.
- Paynter S, Ware R, Lucero M, Tallo V, Nohynek H, et al. (2013) Poor Growth and Pneumonia Seasonality in Infants in the Philippines: Cohort and Time Series Studies. *PLOS ONE* 8: e67528.
- Paynter S, Weinstein P, Ware R, Lucero M, Tallo V, et al. (2013) Sunshine, rainfall, humidity and child pneumonia in the tropics: time-series analyses. *Epidemiology and Infection* 141: 1328–1336.
- Anderson R, May R (1991) Infectious disease of humans. Dynamics and control.
- Weber A, Weber M, Milligan P (2001) Modeling epidemics caused by respiratory syncytial virus (RSV). *Mathematical biosciences* 172: 95–113.
- Lucero MG, Nohynek H, Williams G, Tallo V, Simoes EAF, et al. (2009) Efficacy of an 11-Valent Pneumococcal Conjugate Vaccine Against Radiologically Confirmed Pneumonia Among Children Less Than 2 Years of Age in the Philippines A Randomized, Double-Blind, Placebo-Controlled Trial. *Pediatric Infectious Disease Journal* 28: 455–462.
- Simões EA, Patel C, Sung W-K, Lee CW, Loh KH, et al. (2013) Pathogen Chip for Respiratory Tract Infections. *Journal of clinical microbiology* 51: 945–953.
- Dietz K (1976) The incidence of infectious disease under the influence of seasonal fluctuations. *Lecture notes in biomathematics* 11: 1–15.
- Crowcroft N, Zambon M, Harrison T, Mok Q, Heath P, et al. (2008) Respiratory syncytial virus infection in infants admitted to paediatric intensive care units in London, and in their families. *European journal of pediatrics* 167: 395–399.
- Hall CB, Geiman JM, Biggar R, Kotok DI, Hogan PM, et al. (1976) Respiratory syncytial virus infections within families. *The New England journal of medicine* 294: 414.
- Altizer S, Dobson A, Hosseini P, Hudson P, Pascual M, et al. (2006) Seasonality and the dynamics of infectious diseases. *Ecology Letters* 9: 467–484.
- Ohuma E, Okiro E, Ochola R, Sande C, Cane P, et al. (2012) The natural history of respiratory syncytial virus in a birth cohort: the influence of age and previous infection on reinfection and disease. *American journal of epidemiology* 176: 794–802.
- Glezen WP, Taber LH, Frank AL, Kasel JA (1986) Risk of primary infection and reinfection with respiratory syncytial virus. *Archives of Pediatrics & Adolescent Medicine* 140: 543.
- Colocho-Zelaya E, Pettersson C, Forsgren M, Orvell C, Strannegard O (1994) Respiratory syncytial virus infection in hospitalized patients and healthy children in El Salvador. *American Journal of Tropical Medicine and Hygiene* 51: 577–584.
- Cox M, Azevedo R, Cane P, Massad E, Medley G (1998) Seroepidemiological study of respiratory syncytial virus in São Paulo State, Brazil. *Journal of medical virology* 55: 234–239.
- Bhattarakosol P, Pancharoen C, Mungmee V, Thammaborvorn R, Semboonlor L (2003) Seroprevalence of anti-RSV IgG in Thai children aged 6 months to 5 years. *Asian Pacific Journal of Allergy and Immunology* 21: 269–271.
- Zhang Q, Yang X, Zhao Y, Zhao X (2008) High seroprevalence of human metapneumovirus infection in children in Chongqing, China. *Chinese Medical Journal (English Edition)* 121: 2162.
- Lu G, Gonzalez R, Guo L, Wu C, Wu J, et al. (2011) Large-scale seroprevalence analysis of human metapneumovirus and human respiratory syncytial virus infections in Beijing, China. *Virology* 418: 62.
- Hall CB, Walsh EE, Long CE, Schnabel KC (1991) Immunity to and frequency of reinfection with respiratory syncytial virus. *Journal of Infectious Diseases* 163: 693–698.
- Mills J, Van Kirk JE, Wright PF, Chanock RM, Fishburne IE (1971) Experimental respiratory syncytial virus infection of adults Possible mechanisms of resistance to infection and illness. *The Journal of Immunology* 107: 123–130.
- Mufson M, Belshe R, Orvell C, Norrby E (1987) Subgroup characteristics of respiratory syncytial virus strains recovered from children with two consecutive infections. *Journal of clinical microbiology* 25: 1535–1539.
- Henderson FW, Collier AM, Clyde Jr WA, Denny FW (1979) Respiratory-syncytial-virus infections, reinfections and immunity. A prospective, longitudinal study in young children. *The New England journal of medicine* 300: 530.
- Kapikian AZ, Bell JA, Mastrota FM, Johnson KM, Huebner RJ, et al. (1961) An outbreak of febrile illness and pneumonia associated with respiratory syncytial virus infection. *American journal of epidemiology* 74: 234–248.
- Kravetz H, Knight V, Chanock R, Morris J, Johnson K, et al. (1961) Respiratory syncytial virus. III. Production of illness and clinical observations in adult volunteers. *JAMA: the journal of the American Medical Association* 176: 657.
- Watt P, Robinson B, Pringle C, Tyrrel D (1990) Determinants of susceptibility to challenge and the antibody response of adult volunteers given experimental respiratory syncytial virus vaccines. *Vaccine* 8: 231–236.
- DeVincenzo JP, Wilkinson T, Vaishnav A, Cehelsky J, Meyers R, et al. (2010) Viral load drives disease in humans experimentally infected with respiratory syncytial virus. *American journal of respiratory and critical care medicine* 182: 1305.
- Hawker J, Begg N, Blair I, Reintjes R, Weinberg J (2005) *Communicable Disease Control Handbook*. Blackwell Publishing.
- Hall CB, Douglas RG, Geiman JM (1976) Respiratory syncytial virus infections in infants: quantitation and duration of shedding. *The Journal of Pediatrics* 89: 11–15.
- Waris M, Meurman O, Mufson MA, Ruuskanen O, Halonen P (1992) Shedding of infectious virus and virus antigen during acute infection with respiratory syncytial virus. *Journal of medical virology* 38: 111–116.
- Okiro EA, White LJ, Ngama M, Cane PA, Medley GF, et al. (2010) Duration of shedding of respiratory syncytial virus in a community study of Kenyan children. *BMC Infectious Diseases* 10: 15.
- Hall CB, Long CE, Schnabel KC (2001) Respiratory syncytial virus infections in previously healthy working adults. *Clinical infectious diseases* 33: 792–796.
- Frank A, Taber L, Wells C, Wells J, Glezen W, et al. (1981) Patterns of shedding of myxoviruses and paramyxoviruses in children. *Journal of Infectious Diseases* 144: 433–441.
- White L, Mandl J, Gomes M, Bodley-Tickell A, Cane P, et al. (2007) Understanding the transmission dynamics of respiratory syncytial virus using multiple time series and nested models. *Mathematical biosciences* 209: 222–239.
- Lawrence MG (2005) The relationship between relative humidity and the dewpoint temperature in moist air: A simple conversion and applications. *Bulletin of the American Meteorological Society* 86: 225–233.
- Hort KP (1987) Seasonal variation of birth weight in Bangladesh. *Annals of Tropical Paediatrics* 7: 66–71.
- Chevalier P, Sevilla R, Sejas E, Zalles L, Belmonte G, et al. (1998) Immune recovery of malnourished children takes longer than nutritional recovery: implications for treatment and discharge. *Journal of tropical pediatrics* 44: 304–307.
- Nassar M, Younis N, Tohamy A, Dalam D, El Badawy M (2007) T-lymphocyte subsets and thymic size in malnourished infants in Egypt: a hospital-based study. *Eastern Mediterranean Health Journal* 13: 1031–1042.
- Castillo-Duran C, Heresi G, Fisberg M, Uauy R (1987) Controlled trial of zinc supplementation during recovery from malnutrition: effects on growth and immune function. *The American journal of clinical nutrition* 45: 602–608.
- O'Grady K-AF, Torzillo PJ, Chang AB (2010) Hospitalisation of Indigenous children in the Northern Territory for lower respiratory illness in the first year of life. *Medical Journal of Australia* 192: 586.
- Yusuf S, Piedimonte G, Auais A, Demmler G, Krishnan S, et al. (2007) The relationship of meteorological conditions to the epidemic activity of respiratory syncytial virus. *Epidemiology and Infection* 135: 1077–1090.
- Katona P, Katona-Apte J (2008) The interaction between nutrition and infection. *Clinical Infectious Diseases* 46: 1582–1588.
- Okiro EA, Ngama M, Bett A, Cane PA, Medley GF, et al. (2008) Factors associated with increased risk of progression to respiratory syncytial virus associated pneumonia in young Kenyan children. *Tropical Medicine & International Health* 13: 914–926.
- Cilla G, Sarasua A, Montes M, Arostegui N, Vicente D, et al. (2006) Risk factors for hospitalization due to respiratory syncytial virus infection among infants in the Basque Country, Spain. *Epidemiology and Infection* 134: 506–513.
- Leader S, Kohlhaas K (2003) Recent trends in severe respiratory syncytial virus (RSV) among US infants, 1997 to 2000. *The Journal of pediatrics* 143: 127–132.

Author Contributions

Conceived and designed the experiments: SP LY PW RSW GW PDS. Analyzed the data: SP LY RSW GW. Contributed reagents/materials/analysis tools: EA FS MGL VT HN GW. Wrote the paper: SP. Designed the models: SP LY. Revised the manuscript: LY EA FS MGL VT HN RSW PW GW PDS. Conceived the study: SP. Designed the study: SP LY PW RSW GW PDS.

49. Paynter S, Ware R, Lucero M, Tallo V, Nohynek H, et al. (2014) Malnutrition: a risk factor for severe respiratory syncytial virus infection and hospitalization. *Pediatric Infectious Disease Journal*. (In press).
50. Lofgren E, Fefferman N, Naumov Y, Gorski J, Naumova E (2007) Influenza seasonality: underlying causes and modeling theories. *Journal of Virology* 81: 5429–5436.
51. Murray E, Klein M, Brondi L, McGowan J, Van Mels C, et al. (2012) Rainfall, household crowding, and acute respiratory infections in the tropics. *Epidemiology and Infection* 140: 78–86.
52. Belderbos ME, Houben ML, Wilbrink B, Lentjes E, Bloemen EM, et al. (2011) Cord blood vitamin D deficiency is associated with respiratory syncytial virus bronchiolitis. *Pediatrics* 127: e1513–e1520.
53. Zhu Z, Zhan J, Shao J, Chen W, Chen L, et al. (2012) High prevalence of vitamin D deficiency among children aged 1 month to 16 years in Hangzhou, China. *BMC Public Health* 12: 126.
54. Rajakumar K, de las Heras J, Chen TC, Lee SJ, Holick MF, et al. (2011) Vitamin D status, adiposity, and lipids in black American and Caucasian children. *Journal of Clinical Endocrinology & Metabolism* 96: 1560–1567.
55. White L, Waris M, Cane P, Nokes D, Medley G (2005) The transmission dynamics of groups A and B human respiratory syncytial virus (hRSV) in England & Wales and Finland: seasonality and cross-protection. *Epidemiology and Infection* 133: 279–289.
56. Nair H, Nokes DJ, Gessner BD, Dherani M, Madhi SA, et al. (2010) Global burden of acute lower respiratory infections due to respiratory syncytial virus in young children: a systematic review and meta-analysis. *The Lancet* 375: 1545–1555.