

Article

Research on a Power Management System for Thermoelectric Generators to Drive Wireless Sensors on a Spindle Unit

Sheng Li ^{1,*}, Xinhua Yao ² and Jianzhong Fu ²

¹ School of Mechanical Engineering, Hangzhou Dianzi University, Hangzhou 310018, China

² The State Key Lab of Fluid Power Transmission and Control, Zhejiang University, Hangzhou 310027, China; E-Mails: yaoxinhua@zju.edu.cn (X.Y.); fjz@zju.edu.cn (J.F.)

* Author to whom correspondence should be addressed; E-Mail: ttaittaid@163.com; Tel./Fax: +86-571-8691-9054.

Received: 8 May 2014; in revised form: 17 June 2014 / Accepted: 26 June 2014 /

Published: 16 July 2014

Abstract: Thermoelectric energy harvesting is emerging as a promising alternative energy source to drive wireless sensors in mechanical systems. Typically, the waste heat from spindle units in machine tools creates potential for thermoelectric generation. However, the problem of low and fluctuant ambient temperature differences in spindle units limits the application of thermoelectric generation to drive a wireless sensor. This study is devoted to presenting a transformer-based power management system and its associated control strategy to make the wireless sensor work stably at different speeds of the spindle. The charging/discharging time of capacitors is optimized through this energy-harvesting strategy. A rotating spindle platform is set up to test the performance of the power management system at different speeds. The experimental results show that a longer sampling cycle time will increase the stability of the wireless sensor. The experiments also prove that utilizing the optimal time can make the power management system work more effectively compared with other systems using the same sample cycle.

Keywords: power management system; thermoelectric generator; wireless sensor; spindle

1. Introduction

Wireless sensors, engineered as miniaturized, low-cost embedded devices with integrated sensing, processing, and radio communication capabilities, have recently attracted a great deal of attention for

use in different monitoring applications [1–4]. Spindle units of machine tools, built within totally closed metallic shells, represent structures of crucial monitoring importance. Though using wireless sensors is a good solution for spindle monitoring, ongoing challenges still exist on how to handle the sensors' power supply. Because of the difficulty in opening the spindle shell and replacing the battery within, the idea of using battery power for wireless sensors has to be rejected. Consequently, in order to create wireless sensors working with long-lasting power supplies, devices that harvest energy from their surroundings are being developed as power sources for wireless sensors [5–7].

Several kinds of ambient energy, such as temperature gradients, mechanical vibrations, radiofrequency waves, and even microbial fuel, have now been tested for conversion into electrical energy [1–4,8,9]. Thermal energy is ubiquitous and can be found in almost any environment. Thermoelectric energy harvesting has been successfully developed for decades for power generation by using waste heat from industrial processes, vehicle exhaust, and space travel [10,11]. The waste heat from spindle units during machining also creates obvious potential for thermoelectric energy harvesting. Moreover, the thermoelectric generator (TEG) can work well without any mechanical motion, so it won't affect the dynamic balancing performance of the spindle. Though thermoelectric generation looks like an ideal source to power wireless sensors in spindle units, there are still hurdles remaining before this application can be adopted. Compared with the application systems described above, which involve heat flows on the kilowatt scale and temperatures of hundreds of degrees Celsius, the temperature change in spindles is relatively small and unstable because it is greatly affected by the working situation of the spindle. These challenging conditions may induce low and fluctuating power density from the output of TEGs. Thus, an additional power management system is needed to help the TEGs output be consistent and also regulate the voltage for wireless sensors.

Power management systems are always used to harvest various low-power energies, such as Microbial Fuel Cells (MFCs), small solar cells, or vibration and thermal energy generators. It is typically designed to boost a low-voltage input to a high-voltage output (e.g., 3.3 V) to continuously or intermittently drive commercial electronic devices. Most existing commercial DC/DC converters are not suitable for low-power energy sources, such as TEGs being used in a spindle. Rechargeable batteries and capacitors are used as part of an energy harvesting system [12–15]. Compared with a capacitor, a rechargeable battery has a higher energy density but requires a significantly longer charging time [13]. A capacitor is more suitable for applications needing power intermittently for only fractions of a second to several minutes [16], which is the case with typical wireless sensors. In addition, capacitors have a longer lifetime than that of rechargeable batteries [13]. As a result capacitors have become more widely used in energy harvesting systems.

When capacitors are used as energy storage devices, the output power and charging/discharging cycles of the power management systems are affected by the capacity of the capacitors [17]. Consequently, many researches focus on optimization of charging/discharging capacitors, and the charging/discharging cycles are always determined by the charging/discharging voltage [17,18]. However, the output of TEGs on spindle bearings is determined by the working situation, and the charging/discharging voltage method is not suitable for this type of application. Most such voltage methods require additional circuits or devices to manage the charging process, which is not feasible for spindle-bearing TEGs due their low power output. Our approach in this paper is to design a transformer-based power management system for harvesting energy from a spindle bearing using

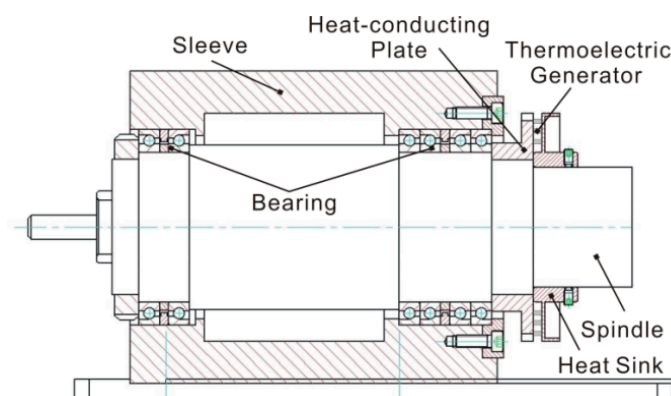
thermoelectric generators with charging/discharging capacitors through using the time method. The rest of this paper is organized as follows: Section 2 illustrates the output characteristics of TEGs and the principle of the power management system. Section 3 presents experimental implementation and evaluation of the power management system. The paper concludes in Section 4.

2. Power Management System Design and Optimization

2.1. Evaluation of the Characteristics of the Thermoelectric Generator with a Spindle Bearing

The structure of a thermoelectric generator with a bearing is shown in Figure 1. The heat flow from the spindle bearing is transferred to the thermoelectric generator by a heat-conducting plate, and the generator is mounted on the surface of heat-conducting plate.

Figure 1. Structure of thermoelectric generator on bearing.



The structure includes thermal and electrical characteristics. Based on this feature, all thermal processes are described in electrical terms using the well-known analogies between electrical and thermal domains, presented in Table 1. According to these analogies, the thermo-electrical behavior of a thermoelectric generator with a bearing can be viewed as an electrical network composed of electrical current sources, voltage sources, resistors and capacitors [19].

Table 1. Analogies between thermal and electrical variables.

Thermal Variable	Electrical Variable
Heat flow Q (W)	Current flow I (A)
Temperature T (K)	Voltage V (V)
Thermal resistance R_{th} (KW^{-1})	Electrical resistance R (Ω)
Thermal mass C_{th} (JK^{-1})	Electrical capacity C (F)

The structure of the bearing includes the shaft, bearing and heat-conducting plate. According to the theory of a thermal network, an equivalent circuit can be built. Combining the thermoelectric generator model, the completed model is shown in Figure 2 [20]. In this model, the output voltage of the thermoelectric generator V_s is viewed as a dependent voltage source, and V_s can be expressed as follows:

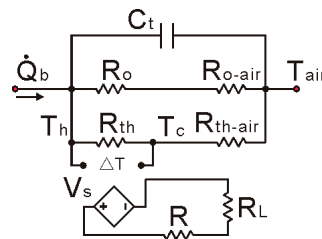
$$V_s = S(T_h - T_c) \quad (1)$$

where S is the Seebeck coefficient of the thermocouple, T_h and T_c are the temperatures at the hot side and cold side respectively. \dot{Q}_b is the heat flow of the bearing, and it can be expressed as [21]:

$$\dot{Q}_b = 1.047 \times 10^{-4} Mn \quad (2)$$

where M is the friction moment of the bearing, and n is the rotation speed of the spindle. The units for M and n are $N \cdot mm$ and r/min , respectively. T_{air} is the environmental temperature of the air. R_{th} is the thermal resistance of the thermoelectric generator, and R_o is the thermal resistance of the metal. C_t is the entire heat capacity of the bearing structure. The thermal resistance between the air and the metal is R_{o-air} , and the thermal resistance between the air and the generator is R_{th-air} . R is the internal resistance of the generator, and R_L is the load resistance.

Figure 2. Model of thermoelectric generator with a bearing.



According to this model, the entire structure can be viewed as a power source, and the power depends on the input heat flow \dot{Q}_b . The model can be expressed as:

$$\left\{ \begin{array}{l} \dot{Q}_{C_t} = C_t \frac{dT_{C_t}(t)}{dt} \\ T_{C_t}(t) = T_h(t) - T_{air} \\ T_h(t) - T_{air} = \dot{Q}_o (R_o + R_{o-air}) \\ T_h(t) - T_{air} = \dot{Q}_{th} (R_{th} + R_{th-air}) \\ \dot{Q}_{C_t} + \dot{Q}_o + \dot{Q}_{th} = \dot{Q}_b \\ \frac{[T_h(t) - T_c(t)]}{R_{th}} = \frac{[T_c(t) - T_{air}]}{R_{th-air}} \end{array} \right. \quad (3)$$

where \dot{Q}_{C_t} , \dot{Q}_o and \dot{Q}_{th} are the heat flow which goes through C_t , R_o and R_{th} , respectively. $T_{C_t}(t)$ is the temperature difference between the two sides of the heat capacity, $T_h(t)$ is the temperature of the TEG hot side, and $T_c(t)$ is the temperature of the TEG cold side. $T_{C_t}(t)$, $T_h(t)$ and $T_c(t)$ are all functions of time (t). When the time (t) is equal to 0, all the temperatures are T_{air} . The variables, which depend on the geometric structure of the spindle, are given in Table 2.

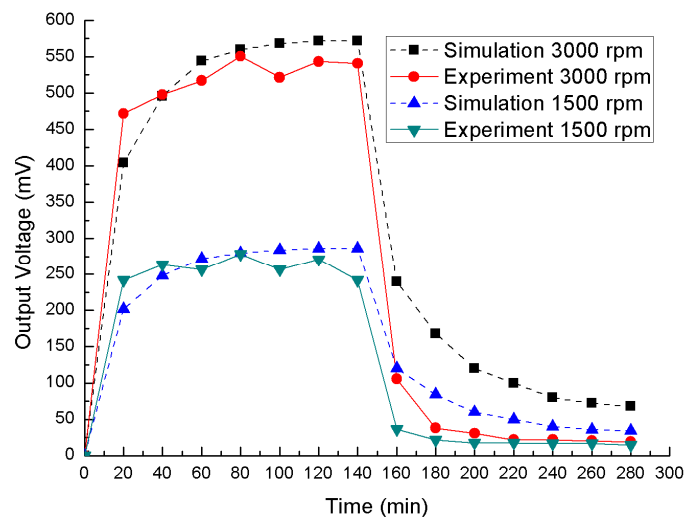
According to this structure and Equation (3), the relationship between the output voltage and time can be simulated in software SPICE, and the simulation is shown in Figure 3. The spindle rotates from 0 min to 140 min, and the speeds are 1500 rpm and 3000 rpm. The experimental output voltage, which is measured under load, is also shown in Figure 3, and the simulation and experiment tests show the

same change trends. It can be shown that the voltage usually fluctuates at different speeds, and it is the main reason to charge and discharge the capacitance by time not by voltage. In the experiment, T_{air} is 293 K, the maximum T_h is about 326 K and the maximum T_c is about 304 K.

Table 2. Variables used in the model of a thermoelectric generator with a bearing.

Variable	Value	Unit
R_{th}	3.62	K/W
R_{th-air}	3.19	K/W
$R_o + R_{o-air}$	0.14	K/W
R	27	Ω
R_L	1000	Ω
C_t	6870	J/K
\dot{Q}_b	301.22	W

Figure 3. Output voltage of simulation and experiment.

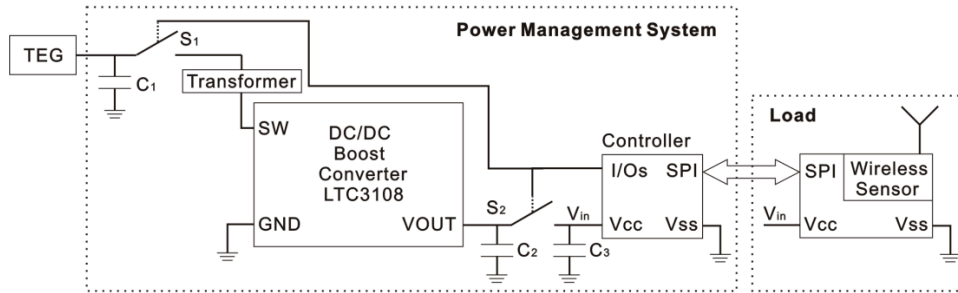


2.2. Transformer-Based Power Management System

Different power management systems for TEG power harvesting have been studied for intermittent load driving applications such as intermittent wireless transmission of sensed information. A transformer-based power management system, including two super capacitors, is used to harvest microbial fuel cell (MFC) power [22]. Two switches are used in this power management system, and the switches are controlled based on the voltage of the super-capacitors. Unlike the MFC, the TEG, mounted on the heat-conducting plate, cannot supply stable voltage, as shown in Figure 3, so the switches control method is not suitable for the TEG in a spindle unit. A simple improvement is illustrated in this paper, and the power management system is shown in Figure 4. According to this bearing working situation, two switches and a load are operated by a controller. The power management system includes three super-capacitors: the first one is connected to the TEG, the second one is placed after the DC/DC converter, and the last one is installed before the controller. The first super-capacitor (C_1) accumulates energy from the TEG and drives the following DC/DC converter.

The second super-capacitor (C_2), whose capacitance must be confirmed by the target load, saves the power from the converter and drives the load. The last super-capacitor (C_3) provides power for the controller, which operates two switches and the load through two input/output (I/O) pins and a serial peripheral interface (SPI) bus, respectively. The first switch (S_1) determines the charging and discharging time of the first super-capacitor (C_1), and the second switch (S_2) controls the charging and discharging time of the second (C_2) and third (C_3) super-capacitors.

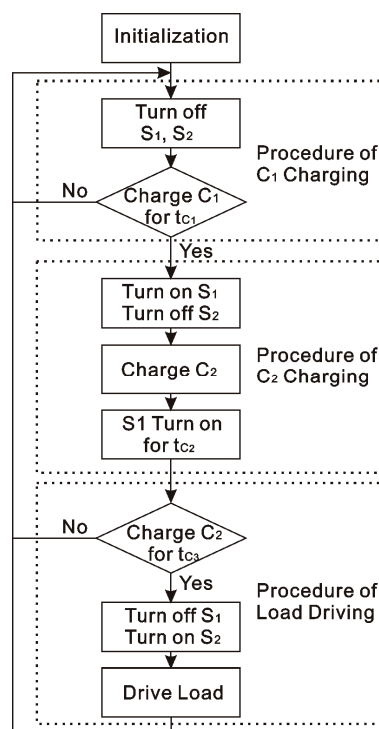
Figure 4. Schematic diagram of power management system.



2.3. Control Strategy for TEGs on Bearing

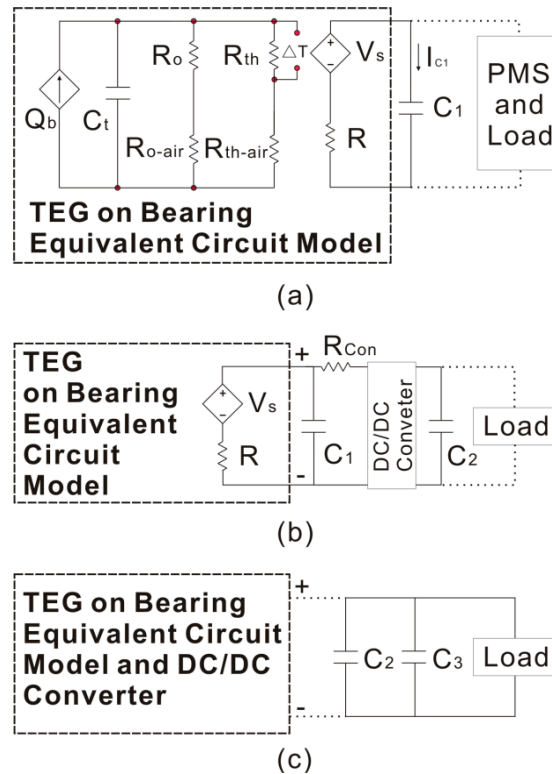
The control strategy is shown in Figure 5, and it includes four procedures which are initialization, C_1 charging, and C_2 charging and load driving. In the initialization procedure, the bearing starts to rotate. In the C_1 charging procedure, the switches S_1 and S_2 must be turned off and the charging time t_{C_1} is dependent on the internal resistance of TEGs. In the C_2 charging procedure, S_1 is turned on for t_{C_2} . After that, if C_2 charges for t_{C_3} , which is also the operation period time, the procedure of load driving begins.

Figure 5. Control strategy for TEGs on bearing.



Equivalent circuit model for TEG on bearing and the overall circuit schematic during C_1 charging is shown in Figure 6a.

Figure 6. Equivalent circuit (a) C_1 charging; (b) C_2 charging; (c) load driving.



The circuit, containing V_s , C_1 and R , can be expressed as:

$$\begin{cases} I_{C_1} = C_1 \frac{dU_{C_1}(t)}{dt} \\ U_{C_1}(t) = V_s - RI_{C_1} \end{cases} \quad (4)$$

where I_{C_1} is the current on the electric capacity C_1 , and $U_{C_1}(t)$ is the voltage of the electric capacity C_1 . According to Equation (4), $U_{C_1}(t)$ can be written as follows:

$$U_{C_1}(t) = V_s - \Delta V e^{-\frac{t}{RC_1}} \quad (5)$$

where ΔV is the difference between V_s and the initial voltage $U_{C_1}(t_0)$. The average power (P_a) stored in the electric capacity C_1 during the C_1 charging can be expressed as:

$$P_a = \frac{1}{2t_{C_1}} C_1 \left\{ [U_{C_1}(t_{C_1})]^2 - [U_{C_1}(t_0)]^2 \right\} \quad (6)$$

Based on Equations (5) and (6) this can be altered as follows:

$$P_a(a,b) = \frac{V_s^2 R}{2b} \left[(1 - ae^{-b})^2 - (1 - a)^2 \right] \quad (7)$$

where $\Delta V = aV_s$ and $b = t_{C1}/RC_1$ ($0 < a < 1$, $b > 0$). Figure 3 shows that V_s is unstable, so the maximum value of P_a should be found at a different V_s . According to Equation (7), the maximum value of P_a only depends on the value of a and b , so that the value of a and b is the key to finding the maximum value at a different V_s . The maximum value of the average power can be found through MATLAB, and it occurs at $a = 0.53$ and $b = 0.08$ ($\Delta V = 0.53V_s$ and $t_{C1} = 0.08RC_1$). The optimum values of C_1 charging time t_{C1} , the initial voltage $U_{C1}(t_0)$ and the final charge voltage $U_{C1}(t_{C1})$ are $0.08RC_1$, $0.47V_s$ and $0.51V_s$, respectively. In Figure 6b, the equivalent circuit model for TEG and the overall circuit schematic during C_2 charging is shown. According to this circuit, the relationship between the initial voltage $U_{C1}(t_0)$ and the final charge voltage $U_{C1}(t_{C1})$ can be expressed as:

$$U_{C1}(t_0) = \frac{R_{Con}}{R + R_{Con}} V_s - \left(\frac{R_{Con}}{R + R_{Con}} V_s - U_{C1}(t_{C1}) \right) e^{-\frac{t_{C2}}{\frac{RR_{Con}-C_1}{R+R_{Con}}}} \quad (8)$$

where R_{Con} is the equivalent resistance of the DC/DC converter. According to the value of the initial voltage $U_{C1}(t_0)$ and the final charge voltage $U_{C1}(t_{C1})$, the C_2 charging time t_{C2} can be determined. The equivalent circuit of the load driving procedure is shown in Figure 6c, and the energy changing on C_2 and C_3 can be expressed as:

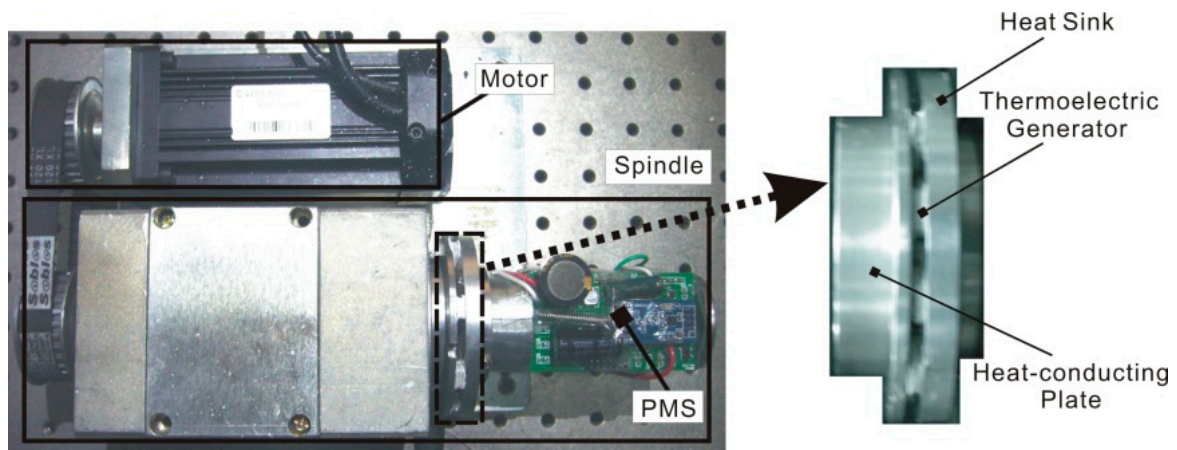
$$\left\{ \begin{array}{l} \Delta E_2 = \frac{C_2}{2} (U_{C_2C}^2 - U_{C_2D}^2) \\ \Delta E_3 = \frac{C_3}{2} (U_{C_3C}^2 - U_{C_3D}^2) \\ \Delta E_3 = P_{Controller} t_{C_3} + E_{Load} \\ \Delta E_2 = \Delta E_3 \\ U_{C_2D} = U_{C_3C} \\ U_{C_3D} > U_{Drive} \\ U_{C_2C} < U_{Max_Output} \end{array} \right. \quad (9)$$

where ΔE_2 and ΔE_3 are the energy changing on C_2 and C_3 , U_{C_2C} and U_{C_2D} are the voltage of C_2 after charging and discharging, U_{C_3C} and U_{C_3D} are the voltage of C_3 after charging and discharging, $P_{Controller}$ is the power of the controller, t_{C_3} is the period time, E_{Load} is the energy consumed by the load in one period, U_{Drive} is the minimum drive voltage, U_{Max_Output} is the maximum output voltage of LTC3108 (Linear Technology Corporation, Milpitas, CA, USA). ΔE_2 is consumed by charging C_3 , and ΔE_3 is consumed by the controller and load. Because the load runs one time in one period, E_{Load} is a constant. t_{C_3} is dependent on the frequency of the sending data, and Equation (9) is the conditions of a normal run. When V_s fluctuates during energy harvesting, U_{C_2C} and U_{C_3D} will change. If U_{C_3D} meets the condition of $U_{C_3D} > U_{Drive}$, the power management system can work stably.

3. Simulation and Experimental Evaluation of the Proposed Power Management System

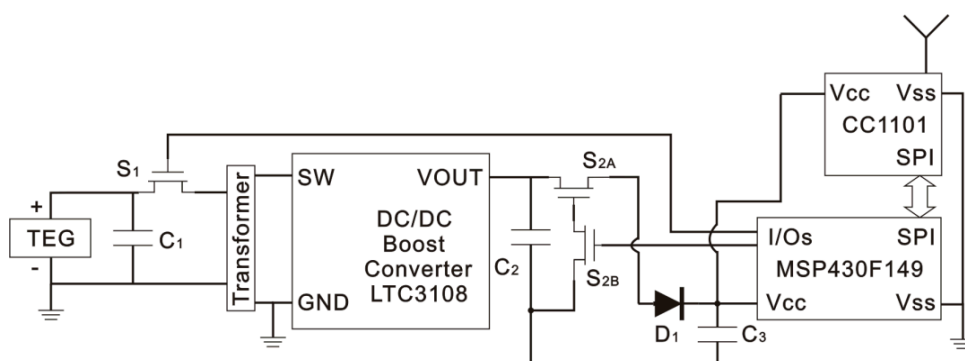
An experimental platform is set up with TEGs, including nine thermoelectric devices, around the spindle, and the volume of the whole platform is about $200 \times 200 \times 100 \text{ mm}^3$ as shown in Figure 7. The TEGs are thermally in parallel but electrically in series. A DC motor (Syntron Company, Beijing, China) is used to control the rotation speed of the spindle through synchronous wheels with 300 W rated power output. The heat flow from the spindle bearing is transferred to the TEGs by a heat-conducting plate. The TEG (Xinghe Semiconductor Company, Jiangsu, China) chosen for this study is $8 \times 8 \times 2.5 \text{ mm}^3$ in size with a 2.8 mV/K Seebeck coefficient. Its internal resistance is 3Ω , and its thermal resistance is 32.6 W/K. The weight of the power management system and the TEGs is approximately 60 g.

Figure 7. Experimental platform.



As shown in Figure 8, the controller is a MSP430F149 (Texas Instruments, Dallas, TX, USA) and its low-power mode 3 is used in this experiment. The wireless module is a CC1101 (Texas Instruments). S_1 is a 1.5 V drive N-channel MOSFET, and its type is a RQ1C075UN (ROHM, Kyoto, Japan). S_2 , shown in Figure 4b, is composed of S_{2A} and S_{2B} . S_{2A} is a 1.5 V drive P-channel MOSFET, and its type is a RQ1A070ZP (ROHM). S_{2B} is the same as S_1 . D_1 is used to keep C_2 charging C_3 , and its type is a 1N4007, which has about a 0.5 V voltage drop in the experiment.

Figure 8. Circuit of power management system.



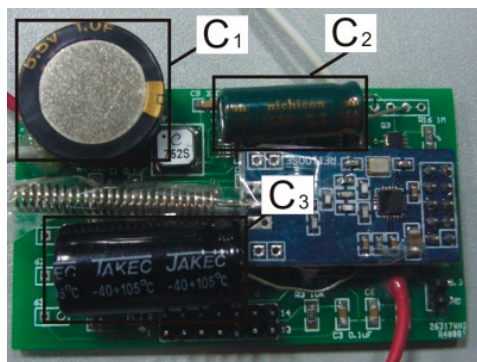
Before the power management system experiment, some unknown variables should be determined, and they are shown in Table 3. For offering enough response time for S_1 , choose C_1 to 1 F. C_2 and C_3 is dependent on the load, and they are 1500 μF and 4700 μF , respectively. R , which depends on the thermoelectric device, is equal to 27 Ω . R_{Con} , $P_{Controller}$ and E_{Load} can be obtained by the measurement. Because of the voltage drop on D_1 , U_{Max_Output} is set to 4.1 V.

After obtaining those variables, the controlling time can be determined. According to Equation (7), the optimal t_{C_1} is 2 s. After that, t_{C_2} can be calculated through Equation (8), and it is 13 s. t_{C_3} is dependent on the time cycles (T_{Data}) of the sending data, and $T_{Data} = t_{C_3} = 100$ s. Finally, the power management system can be used in this experiment according to those three times, and the photo of the power management system is shown in Figure 9.

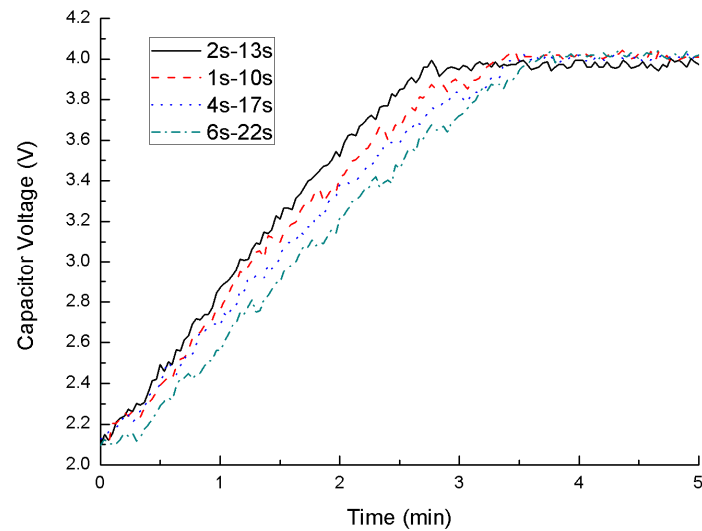
Table 3. Variables used in power management system experiment.

Variable	Value	Unit
C_1	1	F
C_2	1500	μF
C_3	4700	μF
R	27	Ω
R_{Con}	22	Ω
$P_{Controller}$	50	μW
E_{Load}	0.2	mJ
U_{Drive}	2.2	V
U_{Max_Output}	4.1	V

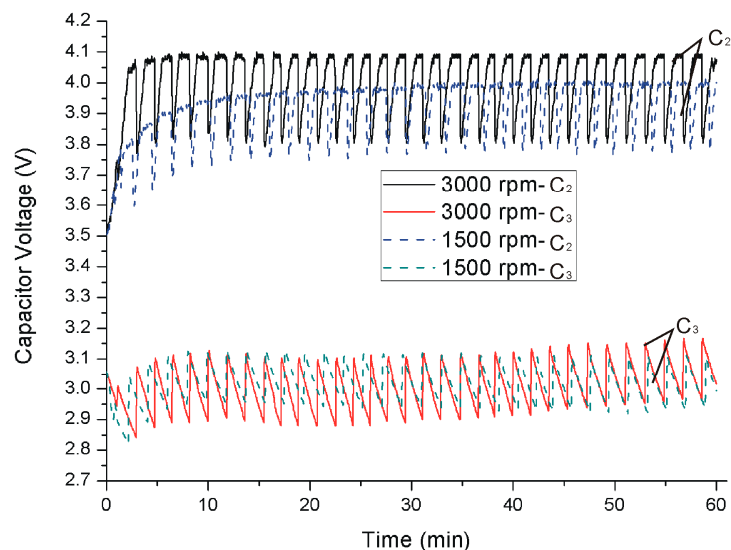
Figure 9. Photo of power management system.



Before putting the power management system on the spindle, a test, using different t_{C_1} to charge C_2 from 2.1 V to 4.1 V with 100 mV input, is performed. t_{C_1} is equal to 2 (the optimal value), 1, 4 and 6 s. After that, t_{C_2} can be calculated through Equation (8), and they are 13, 10, 17 and 22 s. The charging mode, using the optimal value, has the higher efficiency than the others as shown in Figure 10. The optimal charging mode can offer more power than others.

Figure 10. Capacitor voltages of C_2 .

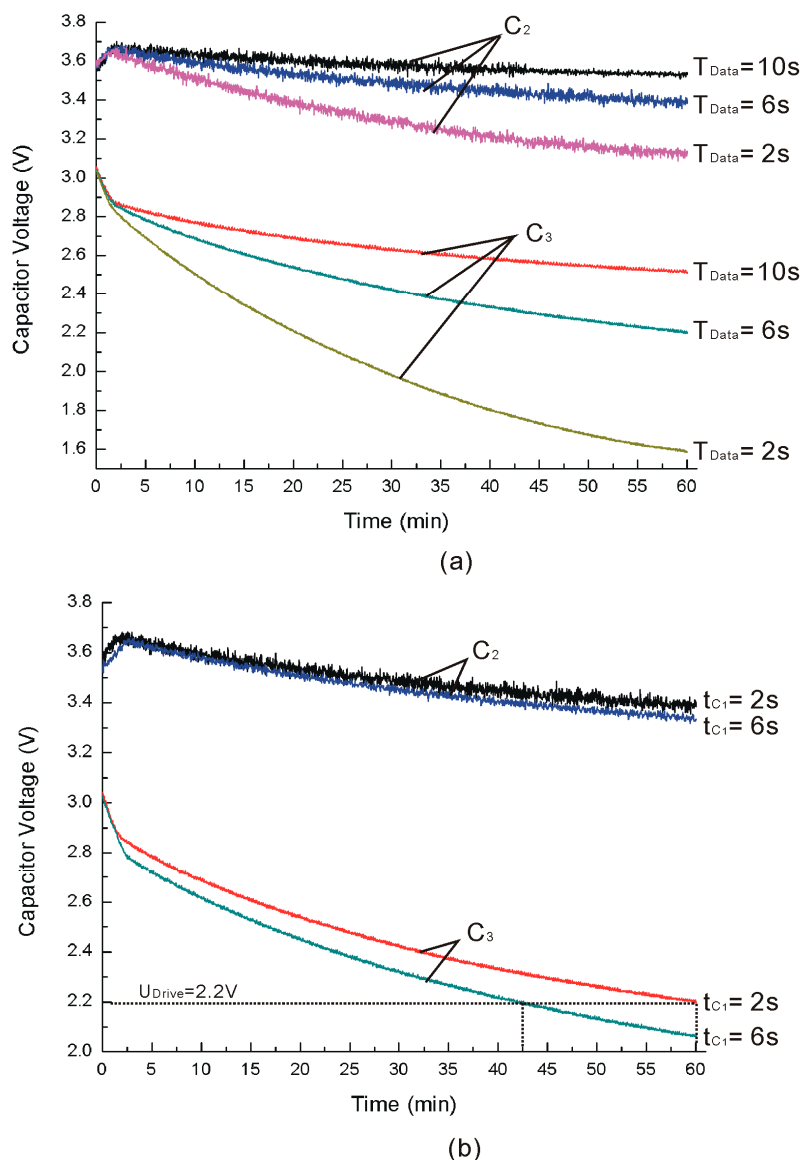
After the test, the power management system is installed on the spindle with the optimal charging set. In the experiment, the spindle rotates at 1500 rpm and 3000 rpm. The voltages of C_2 and C_3 are shown in Figure 11. At the beginning C_2 and C_3 are charged to 3.5 V and 3 V respectively, and then the spindle will start rotating. At 3000 rpm, the voltage of C_2 jumps to 4.1 V and fluctuates between 3.8 V and 4.1 V. At 1500 rpm, the voltage of C_2 rises to 3.8 V and fluctuates between 3.6 and 3.9 V, and the voltage of C_2 also has a rising trend. This phenomenon is caused by the different speeds. As shown in Figure 3, the higher speed can produce higher output voltage, so the voltage of C_2 can reach to 4.1 V at 3000 rpm.

Figure 11. Capacitor voltages of C_2 and C_3 .

For analyzing the power management system working at different sampling cycles of the wireless sensor, the time cycles (T_{Data}), which are equal to t_{C_3} , are set as 2, 6 and 10 s with t_{C_1} equal to 2 s and rotating at 1500 rpm, and the voltages of C_2 and C_3 are shown in Figure 12a. Because T_{Data} is small, the voltages of C_2 and C_3 do not fluctuate like those shown in Figure 11. It is clear that T_{Data} is so

small the voltages of C_2 and C_3 cannot be held on a stable voltage, and the voltages decrease quickly with T_{Data} reducing. This phenomenon can also be explained by Equation (9). With T_{Data} reducing, the power consumption increases and Equation (9) cannot be satisfied. Different t_{C_1} with T_{Data} equal to 6 s are shown in Figure 12b. The voltages of C_2 and C_3 using the optimal t_{C_1} decrease slower than those not using the optimal value, and it is the same as shown in Figure 11. It is clear that the voltages of C_3 will be below 2.2 V (U_{Drive}) with $t_{C_1} = 6$ s and the wireless sensor cannot work stably under such low voltage settings. Using the optimal $t_{C_1} = 2$ s, the voltages of C_3 can be kept higher than U_{Drive} for 60 min. On the other hand, the voltages of C_3 can be kept higher than U_{Drive} for 42.5 min when using $t_{C_1} = 6$ s and $t_{C_2} = 17$ s. That is to say, the optimal t_{C_1} can increase by a 41.2% stable working time when compared with $t_{C_1} = 6$ s. Similar results are measured for other comparative experiments between $t_{C_1} = 2$ s and other values. As the sampling cycle time of the wireless sensor is longer, the wireless sensor works more stably.

Figure 12. Capacitor voltages of C_2 and C_3 . (a) Different time cycles; (b) Different t_{C_1} .



4. Conclusions

While the power generating capacity of TEGs can be improved in terms of using different thermoelectric materials and/or choosing different heat exchange structures, a power management system is always essential to enhance the energy harvesting and usage efficiency. This study presents a transformer-based power management system and its control strategy is to make the wireless sensor work stably at different speeds. Because the output of the TEG varies with the speed of the spindle, the strategy uses charging/discharging time of the capacitors instead of the voltage to control energy harvesting. The proposed power management system is installed on a spindle to test its working state at different speeds. The experiments show that the optimal time can offer more power than other times, and it is also found that the power management system can drive the wireless sensor very well when the sampling cycle time of the sensor is relatively long. The results also show that the small sampling cycle time (T_{Data}) will induce the power management system to work unstably. However, the optimal t_{C_1} of the power management system still improves the performance of TEG under several-seconds during sampling cycles and increases to a 41.2% stable working duration compared with $t_{C_1} = 6$ s under $T_{Data} = 6$ s. The findings prove that the optimal time shown in this paper can make the power management system have longer work times when compared with other systems during the same cycle times.

Acknowledgments

This work is supported by the National Natural Science Foundation of China (No. 51105336) and the National Natural Science Foundation of China (No. 61100101).

Author Contributions

Sheng Li: Conception, design and acquisition of data; Xinhua Yao: Analysis and interpretation of data, and participate in revising the article; Jianzhong Fu: Conception of overall study.

Conflicts of Interest

The authors declare no conflicts of interest.

References

1. Hudak, N.S.; Amatucci, G.G. Small-scale energy harvesting through thermoelectric, vibration, and radiofrequency power conversion. *J. Appl. Phys.* **2008**, *103*, 24.
2. Marian, V.; Allard, B.; Vollaïre, C.; Verdier, J. Strategy for Microwave Energy Harvesting from Ambient Field or a Feeding Source. *IEEE Trans. Power Electron.* **2012**, *27*, 4481–4491.
3. Szarka, G.D.; Stark, B.H.; Burrow, S.G. Review of Power Conditioning for Kinetic Energy Harvesting Systems. *IEEE Trans. Power Electron.* **2012**, *27*, 803–815.
4. Zhang, D.; Yang, F.; Shimotori, T.; Wang, K.-C.; Huang, Y. Performance evaluation of power management systems in microbial fuel cell-based energy harvesting applications for driving small electronic devices. *J. Power Sources* **2012**, *217*, 65–71.

5. Dallago, E.; Danioni, A.; Marchesi, M.; Venchi, G. An Autonomous Power Supply System Supporting Low-Power Wireless Sensors. *IEEE Trans. Power Electron.* **2012**, *27*, 4272–4280.
6. Roundy, S.; Wright, P.K.; Rabaey, J.M. *Energy Scavenging for Wireless Sensor Networks: With Special Focus on Vibrations*; Kluwer Academic: Boston, MA, USA, 2004.
7. Tan, Y.K.; Panda, S.K. Optimized Wind Energy Harvesting System Using Resistance Emulator and Active Rectifier for Wireless Sensor Nodes. *IEEE Trans. Power Electron.* **2011**, *26*, 38–50.
8. Eakburanawat, J.; Boonyaroonate, I. Development of a thermoelectric battery-charger with microcontroller-based maximum power point tracking technique. *Appl. Energy* **2005**, *83*, 687–704.
9. Jin, X.; Lee, C.; Feng, H. Design, Fabrication, and Characterization of CMOS MEMS-Based Thermoelectric Power Generators. *J. Microelectromech. Syst.* **2010**, *19*, 317–324.
10. Rowe, D.M. *Thermoelectrics Handbook: Macro to Nano*; CRC Press: Boca Raton, FL, USA, 2006.
11. Sungkyu Cho, N.K.; Park, S.; Kim, S. A Coreless Maximum Power Point Tracking Circuit of Thermoelectric Generators for Battery Charging Systems. In Proceedings of the IEEE Asian Solid-State Circuits Conference, Beijing, China, 8–10 November 2010; p. 4.
12. Donovan, C.; Dewan, A.; Heo, D.; Beyenal, H. Batteryless, Wireless Sensor Powered by a Sediment Microbial Fuel Cell. *Environ. Sci. Technol.* **2008**, *42*, 8591–8596.
13. Guan, M.J.; Liao, W.H. On the efficiencies of piezoelectric energy harvesting circuits towards storage device voltages. *Smart Mater. Struct.* **2007**, *16*, 498.
14. Meehan, A.; Hongwei, G.; Lewandowski, Z. Energy Harvesting with Microbial Fuel Cell and Power Management System. *IEEE Trans. Power Electron.* **2011**, *26*, 176–181.
15. Shantaram, A.; Beyenal, H.; Veluchamy, R.R.A.; Lewandowski, Z. Wireless Sensors Powered by Microbial Fuel Cells. *Environ. Sci. Technol.* **2005**, *39*, 5037–5042.
16. Vullers, R.J.M.; van Schaijk, R.; Doms, I.; van Hoof, C.; Mertens, R. Micropower energy harvesting. *Solid-State Electron.* **2009**, *53*, 684–693.
17. Dewan, A.; Donovan, C.; Heo, D.; Beyenal, H. Evaluating the performance of microbial fuel cells powering electronic devices. *J. Power Sources* **2010**, *195*, 90–96.
18. Peretz, M.M.; Ben-Yaakov, S. A heuristic digital control method for optimal capacitor charging. In Proceedings of the IEEE Energy Conversion Congress and Exposition (ECCE 2009), San Jose, CA, USA, 20–24 September 2009; pp. 1118–1125.
19. Mitrani, D.; Salazar, J.; Turo, A.; Garca, M.J.; Chavez, J.A. One-dimensional modeling of TE devices considering temperature-dependent parameters using SPICE. *Microelectron. J.* **2009**, *40*, 1398–1405.
20. Li, S.; Yao, X.; Fu, J. Power output characterization assessment of thermoelectric generation in machine spindles for wireless sensor driving. *Sens. Rev.* **2014**, *34*, 192–200.
21. Harris, T.A.; Kotzalas, M.N. *Essential Concepts of Bearing Technology*; CRC Press: New York, NY, USA, 2007.
22. Yang, F.; Zhang, D.; Shimotori, T.; Wang, K.-C.; Huang, Y. Study of transformer-based power management system and its performance optimization for microbial fuel cells. *J. Power Sources* **2012**, *205*, 86–92.