

Benzene degradation in a denitrifying biofilm reactor: activity and microbial community composition

Marcelle J. van der Waals^{1,2} · Siavash Atashgahi² · Ulisses Nunes da Rocha³ · Bas M. van der Zaan¹ · Hauke Smidt² · Jan Gerritse¹

Received: 14 December 2016 / Revised: 27 February 2017 / Accepted: 4 March 2017 / Published online: 20 March 2017
© The Author(s) 2017. This article is published with open access at Springerlink.com

Abstract Benzene is an aromatic compound and harmful for the environment. Biodegradation of benzene can reduce the toxicological risk after accidental or controlled release of this chemical in the environment. In this study, we further characterized an anaerobic continuous biofilm culture grown for more than 14 years on benzene with nitrate as electron acceptor. We determined steady state degradation rates, microbial community composition dynamics in the biofilm, and the initial anaerobic benzene degradation reactions. Benzene was degraded at a rate of 0.15 $\mu\text{mol}/\text{mg}$ protein/day and a first-order rate constant of 3.04/day which was fourfold higher than rates reported previously. Bacteria belonging to the *Peptococcaceae* were found to play an important role in this anaerobic benzene-degrading biofilm culture, but also members of the *Anaerolineaceae* were predicted to be involved in benzene degradation or benzene metabolite degradation based on Illumina MiSeq analysis of 16S ribosomal RNA genes. Biomass retention in the reactor using a filtration finger resulted in reduction of benzene degradation capacity. Detection of the benzene carboxylase encoding gene, *abcA*, and benzoic

acid in the culture vessel indicated that benzene degradation proceeds through an initial carboxylation step.

Keywords Anaerobic benzene degradation · Denitrification · *Peptococcaceae* · Biofilm reactor · Retentostat · Carboxylation

Introduction

Benzene is a constituent of crude oil and gasoline and is often considered as risk-determining compound at contaminated locations, because it easily dissolves and transports in groundwater and is carcinogenic (Chen et al. 2012). Benzene may enter the groundwater from for example leaking storage tanks or pipelines. Benzene is readily biodegradable under aerobic conditions (Suarez and Rifai 1999). However, once contaminants such as benzene reach the groundwater, oxygen is usually depleted by microbial respiration (Lovley 1997). Consequently, anaerobic degradation is essential for benzene removal from such oxygen-depleted subsurface environments. The biggest challenge for anaerobic benzene biodegradation is to overcome the compound's extreme chemical stability in the absence of molecular oxygen. Three mechanisms for the initial step of anaerobic benzene degradation have been proposed: (1) benzene hydroxylation, (2) benzene carboxylation, and (3) benzene methylation, leading to the formation of respectively phenol, benzoate, and toluene as the main metabolites (Meckenstock et al. 2016; Vogt et al. 2011; Weelink 2008).

Benzene degradation under nitrate-reducing conditions has been demonstrated in enrichments (Burland and Edwards 1999; Dou et al. 2008a, b; Kasai et al. 2006; Nales et al. 1998; Ulrich and Edwards 2003; van der Zaan et al. 2012) and pure cultures (Dou et al. 2010). *Dechloromonas* strains

Electronic supplementary material The online version of this article (doi:10.1007/s00253-017-8214-8) contains supplementary material, which is available to authorized users.

✉ Marcelle J. van der Waals
Marcelle.vanderwaals@deltares.nl

¹ Deltares, Subsurface and Groundwater Systems, Princetonlaan 6, 3584 CB Utrecht, The Netherlands

² Wageningen University & Research, Laboratory of Microbiology, Stippeneng 4, 6708 WE Wageningen, The Netherlands

³ VU University of Amsterdam, Department of Molecular Cell Physiology, De Boelelaan 1085, 1081 HV Amsterdam, The Netherlands

RCB and JJ (Coates et al. 2001), two *Azoarcus* strains (DN11 and AN9) (Kasai et al. 2006), and *Bacillus cereus* (Dou et al. 2010) have been isolated for their ability to degrade benzene with nitrate as electron acceptor. The genome of *Dechloromonas* strain RCB does not include the genes encoding for benzylsuccinate synthase or enzymes involved in the benzoyl-CoA pathway for monoaromatics (Salinero et al. 2009). The isolated strains might therefore degrade benzene through intra-aerobic pathways, i.e., using oxygen released from nitrogen reduction. Hence, to the best of our knowledge, there has been no report on the isolation of strictly anaerobic denitrifying benzene degraders. Recently, bacteria related to the anaerobic gram-positive *Peptococcaceae* have been shown to play an important role in anaerobic benzene degradation under denitrifying (Luo et al. 2014; van der Zaan et al. 2012), iron-reducing (Abu Laban et al. 2010; Kunapuli et al. 2007), and sulfate-reducing conditions (Abu Laban et al. 2009; Herrmann et al. 2010; Kleinstauber et al. 2008; Taubert et al. 2012; van der Zaan et al. 2012).

Microbial community dynamics can be efficiently studied using a combination of generic high-throughput analysis of 16S ribosomal RNA (rRNA) genes through next generation technology sequencing (e.g., Illumina MiSeq) of PCR-barcoded amplicons, and quantitative-PCR (qPCR) targeting 16S rRNA genes of specific microbial taxa or genes involved in key catabolic reactions (e.g., benzene degradation). However, only a limited number of qPCR assays targeting key catabolic genes are currently available. Available functional gene qPCR assays for the degradation of benzene and potential main metabolites target benzylsuccinate synthase α -subunit (*bssA*) involved in anaerobic toluene degradation (Winderl et al. 2008), and 6-oxocyclohex-1-ene-1-carboxyl-coA hydrolase (*bamA*) (Ruan et al. 2016), involved in the reductive benzene ring cleavage. A qPCR assay targeting benzene carboxylase genes that could give information on benzene degradation through the proposed carboxylation pathway is currently not available (Lueders 2017).

We studied an anaerobic benzene-degrading microbial consortium, which has been enriched in a continuous culture with nitrate as electron acceptor for more than 14 years. Over these years, microbial biofilms have formed on the glass and metal surfaces within the reactor vessel. Besides nitrate, this consortium is able to couple benzene degradation to reduction of chlorate, ferric iron, or sulfate as electron acceptors (van der Zaan et al. 2012). From previous studies, it is known that after many years of enrichment, still a diverse microbial community is present in the continuous culture vessel (van der Zaan et al. 2012). DNA-stable isotope probing with ^{13}C -labeled benzene indicated that members of the *Peptococcaceae* are dominant benzene degraders presumably involved in the initial benzene ring activation. Recently, bacteria belonging to the *Ochrobactrum* sp. and *Bacillus* sp. possibly capable of anaerobic benzene degradation with nitrate as electron

acceptor were isolated from the same continuous culture (Balk, personal communication). For effective benzene bioremediation practices in the field, detailed studies on the degradation capabilities and mechanisms of the anaerobic benzene-degrading organisms are necessary. To that end, the objectives of this study were: (i) to determine the maximum benzene degradation capacity of this consortium under a variety of controlled continuous culture conditions, (ii) to obtain a highly active benzene-degrading community, (iii) to characterize differences in the microbial composition in the biofilm and liquid phase of the reactor and activity of the microbial populations involved, and (iv) to provide further mechanistic insight in the initial step in benzene degradation.

Materials and methods

The anaerobic benzene-degrading microbial community is found predominantly attached to the glass and metal surfaces of the culture vessel submerged in the growth medium. Originally, the continuous culture was inoculated with soil from a benzene-contaminated site located in the northern part of the Netherlands (van der Zaan et al. 2012). The experiments were done with the microbial community in the continuous culture before and after the addition of a filtration finger in an attempt to further increase the activity of the benzene-degrading culture. Continuous culture experiments were performed to obtain the first-order benzene degradation rate constant, k , and the specific benzene degradation rate, r_{max} , of the microbial community. The composition of the communities residing in the reactor was studied by molecular techniques. LC-qTOF-MS measurements and qPCR were used to reveal the anaerobic benzene degradation mechanism.

Continuous culture

The anaerobic continuous culture was operated for more than 14 years on benzene as the sole electron donor under nitrate-reducing conditions as described previously (van der Zaan et al. 2012). The system was adapted for this study as follows: (i) the influent medium contained per liter: 0.5 g KH_2PO_4 , 0.25 g $(\text{NH}_4)_2\text{SO}_4$, 0.4 g NaNO_3 , 10 ml trace element solution SL-4 (DSMZ medium 462, www.dsmz.de), and 1 ml trace element solution SL+ (contained per liter: 0.5 g NaOH , 3 mg Na_2SeO_3 , 4 mg Na_2WO_4); (ii) the pH of the medium was 6.7; (iii) the temperature in the culture vessel was maintained at 25 °C and the liquid phase was stirred at 200 rpm; (iv) the headspace was flushed with N_2/CO_2 (80%/20%) and the gas flowrate was kept proportional (2.4-fold higher) to the medium pump rate using a Marprene pump tube (Watson-Marlow, MA, USA). The medium was kept under a N_2/CO_2 (80%/20%) atmosphere and added via viton tubing (Rubber BV, Hilversum, The Netherlands) and a PVC pump tube

(Watson-Marlow). Benzene was injected from a 22 mM anaerobic aqueous stock solution directly into the liquid phase using a syringe pump (KDS-230-CE, kdScientific, MA, USA) and viton tubing (Rubber BV). The mixed N_2/CO_2 gas was passed over a 460 ml glass column filled with hot copper filings (250 °C) to remove traces of oxygen before entering the growth vessel. The benzene degradation rate constant was obtained by changing the dilution rate, i.e., by changing the pump rates of the medium and benzene proportionally. The specific benzene degradation rate was calculated using the total protein content in the culture vessel in both the liquid and biofilm. To determine whether benzene degradation was diffusion limited in the biofilm in the culture vessel, the stirring rate of the reactor was varied between 100 and 200 rpm.

Transfers of liquid with aggregates of biofilm from the continuous culture to microcosms were supplied with 100 μ M benzene and 3.6 mM nitrate to obtain microcosm enrichments. To test growth on benzoate, 10% (v/v) liquid from the reactor was transferred to microcosms with 10 mM benzoate and 40 mM nitrate.

Retentostat experiment

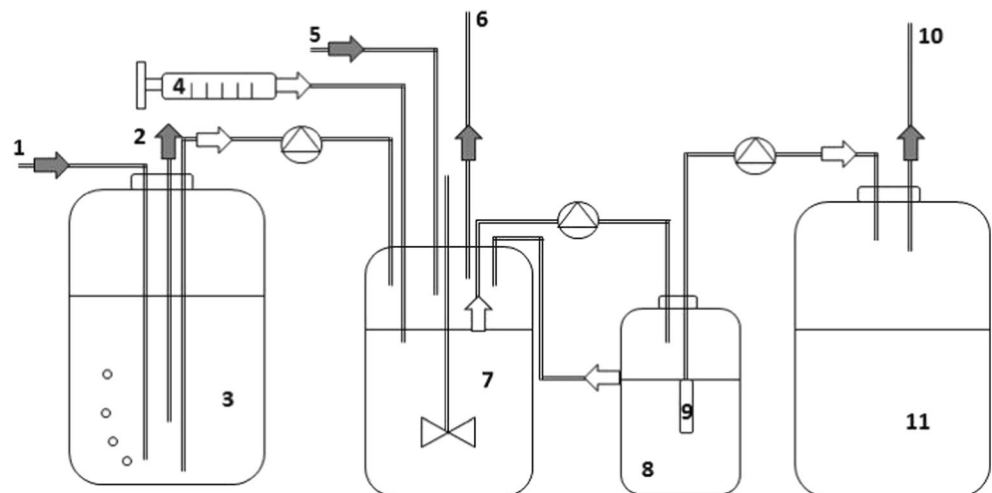
A retentostat system with a filtration finger was used in an attempt to further increase the activity of the benzene-degrading culture by retaining biomass in the reactor vessel. To this end, a bottle with filtration finger (Ercan et al. 2015; Van Verseveld et al. 1986) (VU University, Molecular Cell Physiology, Amsterdam, The Netherlands, cellulose acetate filter; 0.22 μ m, Millipore, MA, USA) was added to the system (Fig. 1). Liquid was recirculated between the reactor vessel and the bottle with the filtration finger. Approximately 10% of the recirculating liquid was pumped through the finger to the effluent vessel.

Analyses

Benzene was measured with a Varian 3800 gas chromatographic (GC) system equipped with a flame ionization detector (FID), a CP-PoraBond Q column (0.32 mm \times 25 m), and a retention gap (methyl deactivated, 0.32 mm \times 2 m) (Varian, Middelburg, The Netherlands). The FID detector was set at 300 °C, and the sample was injected at 200 °C with a split ratio of 5:1. The oven temperature program was 3 min at 50 °C, followed by an increase of 10 °C/min to 250 °C for 2 min. The flow rate of helium carrier gas was 2 ml/min. Continuous culture headspace samples of 1 ml were taken with a 1-ml Pressure-Lock gas syringe (Alltech, Breda, The Netherlands) followed by 0.5 ml injection into the GC-FID. The benzene concentration in the liquid is expressed in micromolar (μ M) assuming complete dissolution of benzene. For calibration six standards ranging from 10 to 200 μ M, benzene was prepared in serum bottles with the same headspace/water ratio (v/v) as in the continuous culture. The bottles were crimp sealed with viton stoppers and aluminum caps. The liquid and headspace were flushed with N_2/CO_2 (80%/20%). The coefficient of variation of this GC method was 5%, and the benzene detection limit was 0.1 μ M. Benzoate was measured using a LC-qTOF-MS as performed previously (Helmus et al. 2016). Liquid samples were conserved with 25 mg/l mercury chloride before LC-qTOF-MS analysis.

Continuous culture biofilm and liquid samples were analyzed for protein content at a dilution rate of 2/day, according to the procedure of Lowry et al. (1951). Six standards ranging from 0 to 500 μ g protein/ml of bovine serum albumin (BSA) were used for calibration. The total amount of biofilm protein in the culture vessel was assessed by extrapolating the amount of protein released from defined surface areas as described below to the total area of biofilm covered surfaces in the system.

Fig. 1 Schematic presentation of experimental set up of the reactor vessel with retentostat finger. The medium (3) kept under N_2/CO_2 (1 and 2) and benzene (4) were continuously added to the N_2/CO_2 flushed (5 and 6) continuous culture (7). The recirculation batch (8) with retentostat finger (9) was used to filter (0.22 μ m pore size) the liquid phase pumped to the effluent tank (11). Gas is released from the effluent tank directly to the atmosphere (10). Due to the pressure difference liquid is flowing back from the recirculation batch to the continuous culture (7)



Biofilm sampling

Continuous culture samples for analyses of changes in microbial composition and activity (nucleic acids and protein) were taken by scraping off defined areas of biofilm attached to the glass wall under a constant N₂/CO₂ (80%/20%) flow. Subsequently, the liquid phase in the vessel was stirred for 5 min at 200 rpm to disperse the biofilm aggregates. Samples containing biofilm aggregates were taken directly from the liquid phase of the culture vessel using a 60 ml syringe via a sampling pipe and viton tubing (Rubber BV). The samples were immediately stored at –80 °C until DNA extraction. Different areas of biofilm with different morphology, respectively white and brown biofilm, were sampled (Fig. S1). Sample_1 contained 6.25 cm² white biofilm (11% biofilm and 89% liquid protein). Sample_2 contained also 6.25 cm² white biofilm, corresponding to 11% biofilm and 89% liquid protein (sample taken 3 days later compared with Sample_1). Samples 3 and 4 contained 22.25 cm² white and 4 cm² brown biofilm corresponding to 70% biofilm and 30% liquid protein and 22.25 cm² white and 8 cm² brown biofilm corresponding to 100% biofilm, respectively.

DNA extraction, 16S rRNA gene amplicon sequencing and data analysis

Total DNA was extracted from the biofilm samples using a CTAB/phenol-chloroform method as described previously (Rajeev et al. 2013). Illumina MiSeq amplicon sequencing of the extracted DNA was used for bacterial community analysis. Barcoded amplicons from the V1-V2 region of 16S rRNA genes were generated using a two-step PCR method as described earlier (Atashgahi et al. 2016). In brief, the first amplification of partial bacterial 16S rRNA genes was done using primer pair 27F-DegS and 338R-I+II in 50 µl PCR reactions. The primers were 5'- UniTag-extended (Tian et al. 2016). The second amplification was done using 85 µl mastermix, 10 µl barcoded primers targeting the UniTag extensions, and 5 µl PCR product from the first PCR. Afterwards, barcoded PCR products were cleaned using the HighPrep PCR clean-up system (Magbio Genomics, MD, USA), quantified using Qubit (Thermo Fisher Scientific, MA, USA), and pooled in equimolar amounts as previously described (Atashgahi et al. 2016). Samples were sequenced by GATC (GATC Biotech AG, Constance, Germany) on a MiSeq platform. 16S rRNA amplicon sequence analysis was done using NG-Tax (Ramiro-Garcia et al. 2016). Briefly, paired-end libraries were filtered to retain read pairs with perfectly matching barcodes. 16S rRNA gene sequences were clustered into operational taxonomic units (OTUs) at >98.5% sequence similarity. OTUs were assigned using an open reference approach and a customized SILVA 16S rRNA database version 111 (Quast et al. 2013). The

phylogenetic diversity (PD whole tree) was calculated using Quantitative Insights Into Microbial Ecology (QIIME) (Caporaso et al. 2010). Quality filtering of the sequences was done using defined 'Mock' communities as a positive control to deal with issues associated with filtering parameter optimization (Ramiro-Garcia et al. 2016). Two different Mock communities used in this analysis had a Pearson correlation at genus level of 0.73 and 0.78, respectively, with respect to the microbial community theoretically present in the Mock community, which are values routinely observed in other runs using the same set-up. Nucleotide sequence data reported are available at the European Nucleotide Archive (ENA) under accession number PRJEB18709.

Quantification of total bacterial 16S rRNA genes, *bamA*, and *bssA* genes

An overview of the used primer pairs, probes, and thermal cycling conditions for total bacterial 16S rRNA, *bssA*, and *bamA* genes is shown in Table 1. Amplification of total bacterial 16S rRNA genes was carried out in a 25 µl reaction mixture containing 0.6 µM of each primer, 3 µl template DNA, 6.5 µl MilliQ, and 12.5 µl 2x IQ SYBR Green Supermix (Bio-Rad). The lower detection limit of the assay was 53.7 gene copies/µl sample defined at the amount of cycles at the lowest detected calibration sample plus 1 cycle. Amplification of *bamA* genes was performed in a 25 µl PCR reaction mixture as described for the total bacterial 16S rRNA gene assay with the addition of 0.4 µg/µl BSA. Both assays were performed on a CFX96 real-time PCR machine (Bio-Rad). The lower detection limit was 6.3 gene copies/µl sample. Amplification of *bssA* genes was done with the addition of a Taqman FAM probe (Beller et al. 2002). The lower detection limit of the *bssA* gene assay was 3.1 gene copies/µl sample. PCR amplification was carried out on an IQ5 real-time PCR system (Bio-Rad) using 0.6 µM of each primer, 3 µl template DNA, 6.3 µl MilliQ, 12.5 µl 2x IQ Supermix (Bio-Rad), and 0.08 µM probe (Eurofins MWG Operon, Ebersberg, Germany).

Benzene carboxylase gene (*abcA*) qPCR primer design and calibration curve

Amplification of the benzene carboxylase gene was done by designing a specific primer pair for *abcA*, a gene described by Abu Laban et al. (2010). The previously designed primer pair bc_F and bc_R (Table 1) (Koressaar and Remm 2007; Untergasser et al. 2012) was evaluated in silico using the publicly accessible NCBI BLAST search tool (Ye et al. 2012). Reactor DNA material was used as template DNA to obtain an amplicon of 175 base pairs. Amplification was carried out in 40 cycles (30 s at 95 °C, 30 s at 58 °C, and 60 s at 72 °C) with an initial denaturation of 3 min at 95 °C and a final

Table 1 qPCR primers and thermal cycling conditions used in this study

Target	Oligonucleotide sequence (5'-3') ^{a, b}	Thermal profile	Number of cycles	References
16S rRNA gene total bacteria	GCCAGCAGCCGGGTAAT (519F)	94 °C 3 min	1	519F (Lane 1991)
	CCGTCAATTCCCTTGAGTTT (907R)	94 °C 30 s, 58 °C 30 s, 72 °C 30 s 72 °C 5 min	35	
<i>bamA</i>	GCAGTACAAYTCCCTACACSACYGABATGGT (oah_F) CCRTGCTTSSGRCCVGCCTGVCCGAA (oah_R)	Melt curve from 58 °C to 95 °C with increment 0.5 °C/10 s	1	(Staats et al. 2011)
		95 °C 5 min	1	
		95 °C 15 s, 58 °C 30 s, 72 °C 30 s 72 °C 10 min	50	
		Melt curve from 58 °C to 95 °C with increment 0.5 °C/10 s	1	
<i>bssA</i>	ACGACGGYGGCATTTC (bssA_F) GCATGATSGGYACCGACA (bssA_R) FAM CTCTGGTTCTTCTGCACCTTGGACACC (bssA_probe)	95 °C 3 min	1	(Beller et al. 2002)
		95 °C 15 s, 58 °C 60 s 72 °C 3 min	50	
		95 °C 3 min	1	
		95 °C 30 s, 58 °C 30 s, 72 °C 60 s 72 °C 2 min	40	
<i>abcA</i>	GCGGTGAGGTATTGACCACT (bc_F) TTCGGGCTGACATATCCTTC (bc_R)	95 °C 3 min	1	This study
		95 °C 30 s, 58 °C 30 s, 72 °C 60 s 72 °C 2 min	40	
16S rRNA gene of <i>Peptococcaceae</i>	CCTTCGGGTAGACAGGGAGA (PeptoF) AGCCTCTCTAGAGTGCCCAA (PeptoR)	Melt curve from 58 °C to 95 °C with increment 0.5 °C/10 s	1	This study
		94 °C 3 min	1	
		94 °C 30 s, 60 °C 30 s, 72 °C 60 s 72 °C 2 min	35	
		Melt curve from 60 °C to 95 °C with increment 0.5 °C/10 s	1	

^a Primer names may not correspond to original publication^b Y = C or T; S = C or G; V = A or G or C; B = G or T or C; R = A or G

elongation step of 2 min at 72 °C on a CFX96 real-time PCR system (Bio-Rad) using TaKaRa Ex Taq polymerase according to the manufacturer's protocol (TAKARA BIO INC, Otsu, Japan). The amplicons were separated on a 1% agarose gel and extracted using a QIAquick gel extraction kit (Qiagen, Hilden, Germany) according to the manufacturer's protocol. Gene fragments were cloned into PCR2.1 TOPO vector using the TOPO cloning kit (Invitrogen, Breda, The Netherlands) according to the manufacturer's protocol with 100 µg/ml ampicillin and 32 µl of 50 mg/ml X-gal. After growth, cells were pelleted, and plasmid was purified according to the manufacturer's protocol of the QIAprep miniprep system (Qiagen) and sequenced by Eurofins MWG Operon with M13 rev (–29) primer. The obtained sequence was 99% similar to the *abcA* gene sequence identified previously (Abu Laban et al. 2010). The DNA concentration of the cloned *abcA* gene amplicon was determined on a Nanodrop 1000 spectrophotometer (Isogen, De Meern, The Netherlands) to calculate the concentration of the gene copy numbers based on the molecular weight of double-stranded amplicons (Stothard 2000). The stock solution was diluted to 10¹⁰ gene copies/microliter in MilliQ. The 8-point standard curve was optimized with a lower detection limit of 11.2 gene copies/microliter sample. Amplification of the *abcA* gene was done in a 25 µl reaction mixture as described for *bamA* genes. The thermal amplification profile is shown in Table 1.

***Peptococcaceae* 16S rRNA gene qPCR primer design and calibration curve**

Amplification of *Peptococcaceae* 16S rRNA genes was done using specific primers that were newly designed as described in da Rocha (da Rocha et al. 2010). The specificity of primer pair *peptoF* and *peptoR* (Table 1) was evaluated in silico using the public accessible NCBI BLAST search tool, and the predicted amplicon size was 136 bp (Ye et al. 2012). Reactor DNA material was used as template DNA. The standard curve was optimized using a CFX96 real-time PCR (Bio-Rad) with a lower detection limit of 10.5 gene copies/milliliter sample. Amplification of *Peptococcaceae* 16S rRNA genes was done in a 25 µl reaction mixture as described for the total bacterial 16S rRNA genes. The thermal cycling conditions are described in Table 1.

Calculations

First-order degradation rate constants (*k*) were calculated as described previously according to Eq. 1 (van der Zaan et al. 2012).

$$k = \left(\frac{\log(x_1) - \log(x_2)}{t_2 - t_1} \right) + D \quad (1)$$

where $t_2 - t_1$ is the time interval in days. x_1 is the benzene concentration at time t_1 and x_2 is the benzene concentration at time t_2 . D is the dilution rate of the continuous culture per day.

The specific degradation rate (r) [mg benzene/mg protein/day] was calculated according to Eq. 2:

$$r = \frac{I_b}{\gamma} \quad (2)$$

where I_b is the supply of benzene into the liquid phase of the continuous culture in mg benzene/day and γ is the protein content in the culture vessel in milligrams.

The benzene reservoir concentration in the continuous culture vessel (C_r) [µM] was calculated as follows (Eq. 3):

$$C_r = \frac{C_b^I}{\frac{F_m^I + F_b^I}{F_b^I}} \quad (3)$$

where C_b^I is the benzene inflow concentration from a 22 mM stock solution and F_m^I and F_b^I the flow rates of medium and the benzene stock solution in milliliters/day, respectively.

The liquid dilution rate of the system (F) was calculated according to Eq. 4:

$$F = \frac{F_m^I + F_b^I}{V} \quad (4)$$

where V is the total liquid volume in the culture vessel [L].

Results

The biofilm culture continuously degraded benzene under nitrate-reducing conditions. At the beginning of biofilm formation at clear hydrophilic surfaces, biofilm was white after which it became brown over time (Fig. S1).

Continuous culture

Benzene degradation and kinetics

Benzene was stably degraded at a reservoir concentration (C_r) of 105 µM at four dilution rates from 0.25–2/day. Up to dilution rates of 1/day, benzene was degraded to below the detection limit of the GC method (0.1 µM) with first-order benzene degradation constants increasing from 0.46–1.31/day (Table 2). When the dilution rate was increased to 2/day, the first-order benzene degradation constant was 3.04/day, corresponding to a half-life of 5.5 h (Table 2). However, the residual benzene concentration increased to 1.3 µM. Hence, the dilution rate of 1/day was used to assess the benzene degradation capacity of the continuous culture by stepwise increasing the

Table 2 First-order benzene degradation rate constants (k) and half-lives (hours) at different liquid dilution rates of the continuous culture

Dilution rate [day ⁻¹]	k [day ⁻¹]	Half-life [hours]
0.25	0.46	36.2
0.50	0.62	26.8
1	1.31	12.7
2	3.04	5.5

reservoir benzene concentration from 105 to 715 μM after equilibrium was reached between the liquid and head-space in the culture vessel (Fig. 2). Between benzene inflow concentrations of 105 μM up to 615 μM , benzene was degraded, albeit with steadily increasing residual benzene concentrations proportional to the increase in inflow concentrations. At a benzene reservoir concentration above 615 μM , a threshold value was reached after which the microbial community stopped degrading benzene. The experiment was stopped at a residual concentration of about 70 μM because of the toxic effect of the accumulating benzene on the microbial community.

At a dilution rate of 2/day, the total protein content in the liquid (2 l) and the white (642 cm^2) and brown (213 cm^2) biofilms in the culture vessel were 15, 233, and 2485 mg, respectively, indicating that 99.5% of the microbial biomass in the culture vessel was present in the biofilms. The microbial biofilm and liquid community degraded benzene at a maximal rate of 0.15 μmol benzene/mg protein/day. To determine the possible diffusion limitation of benzene degradation, the stirring rate was varied between 100 and 200 rpm in the culture vessel at benzene reservoir concentrations of 616, 1385, 1478, and 1570 μM and a dilution rate of 0.25/day. During this

period, the residual benzene concentration remained below 2.5 μM and did not increase at lower stirring rates of 100 rpm.

At a dilution rate of 0.25/day, benzoic acid was detected at a concentration of 0.18 μM in the liquid phase of the reactor, whereas the concentration of 4-hydroxy benzoic acid and phenol were below the detection limit of the LC-qTOF-MS (<0.18 μM).

After growth of the culture for 20 volume exchanges on a medium without vitamins and ammonium, the community still degraded 100 μM benzene to below the detection limit (1 μM).

Transfers of aggregates of biofilm from the continuous culture grew readily in batch cultures supplied with 10 mM benzoate and 40 mM nitrate. Microcosms inoculated with aggregates of biofilm and addition of 100 μM benzene and 3.6 mM nitrate degraded benzene at an average rate of 1.25 ± 0.66 μM benzene/day with a degradation rate constant of 0.06/day that was about 50 times lower than that obtained in the continuous culture vessel at dilution rate 2/day. The benzene degradation rate was about 700-fold lower than the maximal rate obtained in the continuous culture vessel at dilution rate 2/day. Each time when benzene was depleted in the microcosm, benzene was replenished (Fig. S2).

Microbial community

The biofilm and MiSeq sequencing characteristics for the different samples are described in Table 3. The phylogenetic diversity (PD whole tree) was similar for all samples with an average of 4.0 ± 0.2 . The number of observed OTUs was higher for the liquid with white biofilm with

Fig. 2 Residual benzene concentrations in the continuous biofilm culture after stepwise increased benzene reservoir concentrations at a liquid dilution rate of 1/day. At a reservoir concentration of 615 μM the benzene concentration continuously increased (indicated by the arrow at 715 μM) due to benzene toxicity on the microbial community

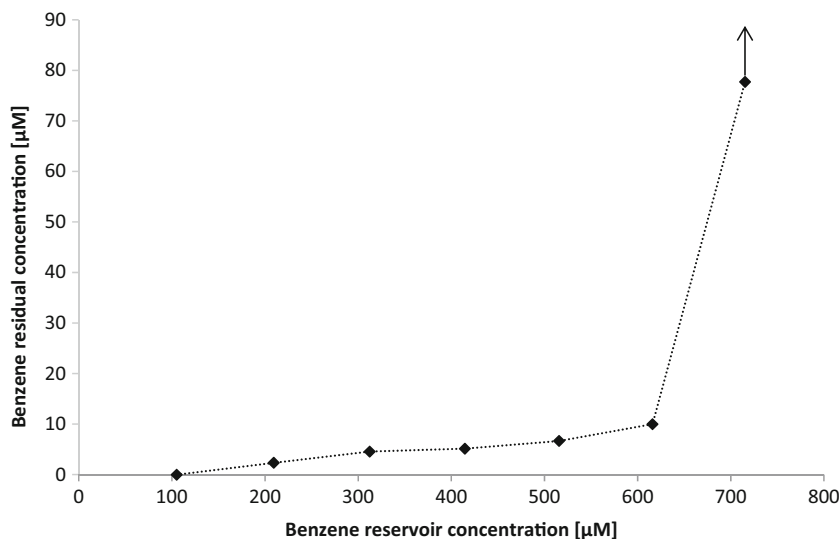


Table 3 Biofilm and MiSeq sample characteristics

Sample name	Scraped off biofilm area [cm ²]		Bacterial 16S rRNA genes/cm ² biofilm ^b	Sequence reads per sample	OTUs	Phylogenetic diversity
	White biofilm	Brown biofilm				
Sample_1 ^a	6.3	0	4.8 ± 2.9 × 10 ⁸	43,410 ± 33,216	140 ± 3.2	3.9 ± 0.2
Sample_2	6.3	0	4.2 ± 2.0 × 10 ⁸	52,014	138	4.2
Sample_3	22.3	4	9.8 ± 4.3 × 10 ⁹	42,427	108	3.8
Sample_4	22.3	8	13 ± 5.7 × 10 ⁹	53,124	109	4.1

^a Average of three samples

^b Calculated based on liquid and biofilm protein (white biofilm 233 mg, brown biofilm 2485 mg) in the sample

an average of 139 ± 3 compared with an average of 109 ± 1 for the brown biofilm (Table 3).

Based on the MiSeq community analysis data, the relative abundance of *Peptococcaceae* in the samples containing brown biofilm was 8.8 ± 0.0% and ranged from 28 to 49% in the liquid with white biofilm (Fig. 3). MiSeq analysis also indicated that members of the *Anaerolineaceae* were relatively predominant in the two samples containing brown biofilm with 39 and 41% relative abundance in samples 3 and 4, respectively (Fig. 3). Other relatively predominant families in both the liquid with white biofilm and brown biofilm were *Rhodocyclaceae* (8.1 ± 1.5%), SJA-28 (10.8 ± 3.6%), and *Comamonadaceae* (3.5 ± 4.6%).

Based on qPCR analysis, sample 4 contained 16 ± 4.1 × 10⁷ *Peptococcaceae* 16S rRNA genes/cm biofilm. The relative abundance of *Peptococcaceae* calculated using qPCR was similar to that obtained by MiSeq analyses (Fig. S3).

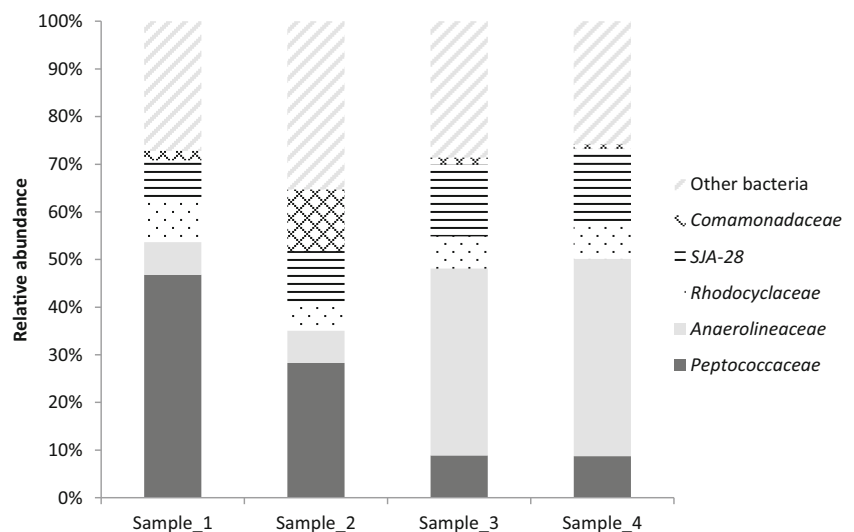
The functional gene *bssA* was not detected in the culture (<3.1 gene copies/ml sample). The other two functional genes studied here, *bamA* and *abcA*, were detected in high copy numbers in all samples, i.e., 10 ± 2.6 × 10⁷ gene copies/ml sample and 9.9 ± 8.1 × 10⁷ gene copies/ml sample, respectively (Fig. 4).

Peptococcaceae 16S rRNA gene copy numbers were generally about tenfold lower in the different samples than those of the *abcA* gene.

Continuous culture with retentostat

In an attempt to further increase the activity of the benzene-degrading culture, a recirculation system with retentostat finger was added to retain biomass. Reservoir benzene concentrations were increased stepwise from 105 to 1000 μM to obtain the maximum degradation capacity of the culture with the retentostat finger at a dilution rate of 0.7/day. Initially after the addition of the retentostat finger the first-order benzene degradation rate constant was 3.93/day and the reservoir concentration at which the system collapsed and the microbial community was not able to degrade benzene due to toxicity was 715 μM at a dilution rate of 0.7/day (Fig. 5). After two subsequent replications of the retentostat experiment, the benzene-degrading capacity of the culture decreased and the culture stopped degrading benzene at lower benzene reservoir concentrations of 566 and 209 μM, respectively (Fig. 5).

Fig. 3 The relative abundances of partial bacterial 16S rRNA genes at family level in the continuous culture. Samples 1 and 2 contained 11% biofilm and 89% culture liquid protein. Sample 3 contained 70% biofilm and 30% liquid protein biomass. Sample 4 contained 100% biofilm. Only families with a relative abundance of 10% or higher in at least one of the biofilm samples are shown. Families occurring at lower relative abundances are shown together as “other bacteria”



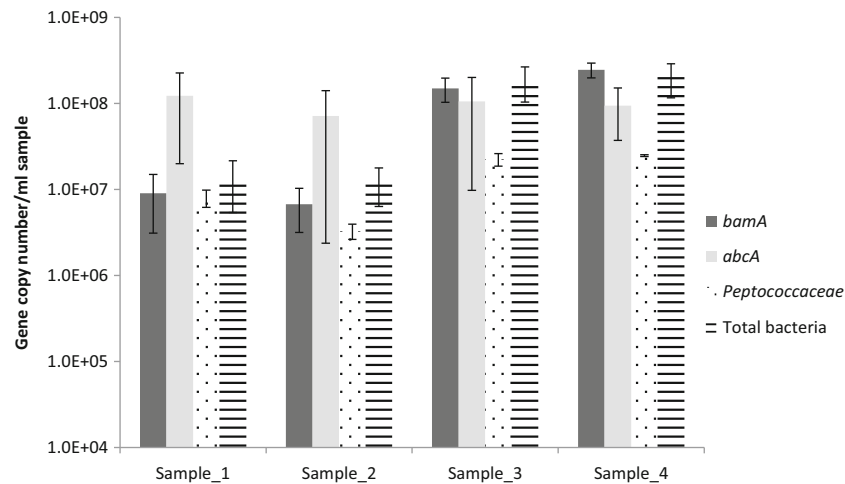


Fig. 4 qPCR analyses of *bamA*, *abcA*, and 16S rRNA genes of *Peptococcaceae* and total bacteria. Samples 1 and 2 contained 11% white biofilm corresponding to $4.8 \pm 2.9 \times 10^8$ and $4.2 \pm 2.0 \times 10^8$ bacterial 16S rRNA genes/cm² biofilm, respectively. Sample_3 contained 70% biofilm corresponding to $9.8 \pm 4.3 \times 10^9$ bacterial 16S

rRNA genes/cm² biofilm. Sample 4 contained 100% biofilm corresponding to $13 \pm 5.7 \times 10^9$ bacterial 16S rRNA genes/cm² biofilm. Error bars represent standard deviations based on analytical replicates of the same reactor sample

Discussion

The goals of this study were: (i) to determine the maximum anaerobic benzene degradation capacity of a continuous biofilm culture, (ii) to reveal the initial step in benzene degradation, (iii) to characterize the microbial composition of the liquid and biofilm-associated biomass at different ages using high-throughput sequencing of PCR-amplified 16S rRNA gene fragments, and (iv) to obtain a highly active benzene-degrading community. The benzene degradation rate constant (*k*) of 3.04/day obtained in this study in the continuous culture vessel is about four times higher than the previously observed 0.70 ± 0.12 /day that was obtained using the same microbial culture under denitrifying conditions (van der Zaan et al.

2012). To our knowledge, this study represents the highest anaerobic benzene degradation rate constant reported under denitrifying conditions (Table 4).

Besides obtaining the benzene degradation rate constant in this study, a specific benzene degradation rate was calculated based on the amount of proteins in the reactor vessel. In previous studies aerobic degradation rates of 10 to 321 μmol benzene/mg dry weight/day were reported (Suarez and Rifai 1999). Assuming an average protein content of 55% (protein content of *E. coli*) of dry mass for bacteria (Milo 2013), these rates correspond to 5.5 to 176.5 μmol benzene/mg protein/day. The anaerobic benzene degradation rate of 0.15 μmol benzene/mg protein/day found in the present study is therefore 37 to 1177-fold lower than previously described aerobic degradation rates. In

Fig. 5 Benzene residual concentrations in the continuous culture with retentostat finger. The black line indicates the first (initial) experiment, the dotted line the second experiment at 88 days, and the dashed line the third experiment at 118 days after the initial experiment, respectively. The arrows show reservoir concentrations of 1007, 840, and 616 μM , for the first, second, and third experiments, respectively, where benzene degradation was continuously increased

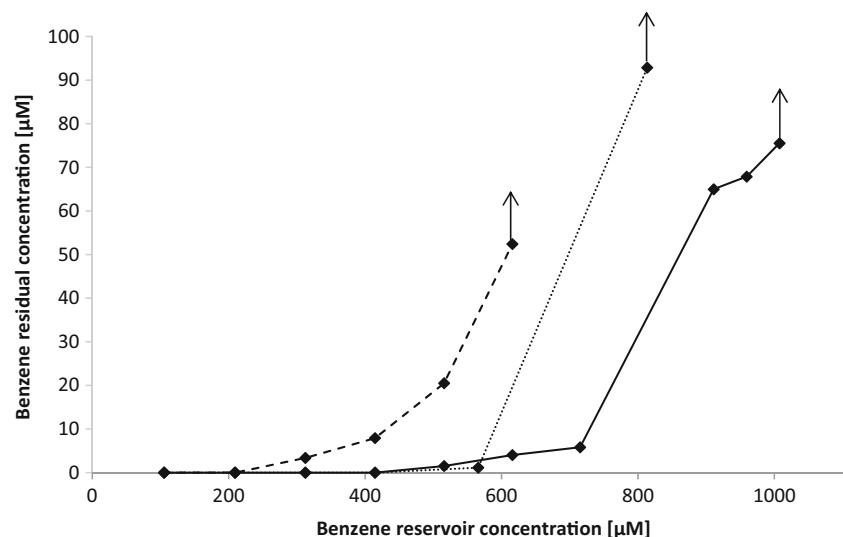


Table 4 First-order anaerobic benzene degradation rates under denitrifying conditions

Enrichment culture source	Benzene degradation rate constant [day^{-1}]	References
Benzene-degrading continuous biofilm culture in reactor from a benzene polluted industrial location in the northern parts of the Netherlands	3.04	This study
Benzene-degrading continuous biofilm culture from a benzene polluted industrial location in the northern parts of the Netherlands	0.7 ± 0.12	(van der Zaan et al. 2012)
Batch enrichment culture from an oil refinery in Oklahoma	0.29^a	(Ulrich et al. 2005)
Benzene-degrading enrichment culture in microcosms from an oil refinery in Oklahoma	0.21^a	(Ulrich and Edwards 2003)
Batch enrichment culture from a coal-tar contaminated site in Glens Falls	0.15^a	(Liou et al. 2008)
Pure culture of <i>Bacillus cereus</i> from a gasoline contaminated soil	0.08^a	(Dou et al. 2010)
Enrichment from gasoline contaminated groundwater in microcosms	0.05^a	(Kasai et al. 2006)

^a Calculated based on the benzene degradation in the discussed studies

a previous study, an anaerobic degradation rate of 4.9 to 9.3 $\mu\text{mol benzene/mg protein/day}$ under denitrifying conditions was determined using enrichment cultures in microcosms from a gas station and a swamp in Canada (Ulrich and Edwards 2003). These rates are 33 to 61-fold higher than the anaerobic benzene degradation rate found in the present study, which could be explained by the fact that more benzene degraders per protein were present and fewer organisms growing on other substrates like ammonium or vitamins supplied in our medium with concentrations of 68.2 and 2.6 mg/l, respectively. According to the growth yield of anammox bacteria (0.066 mol biomass carbon/mol ammonium) a maximum of 250 μM carbon biomass could be produced with the supplied ammonium (Strous et al. 1998). This corresponds to 42% of the carbon supplied as benzene. The amount of carbon supplied in vitamins corresponds to 124 μM , assuming an average molecular vitamin formula of $\text{C}_{12}\text{H}_{16}\text{N}_{2.6}\text{O}_{3.4}$. This corresponds to 21% of the benzene carbon supplied. The bacterial community is able to degrade the benzene without the vitamins and ammonium in the medium, indicating that the supply of vitamins and ammonium in the medium is not required for benzene degradation. A higher amount of benzene degraders per protein in previous studies could be due to the fact that the microcosms were enriched through several serial transfers in the study of Ulrich et al. (Ulrich and Edwards 2003). In addition, other explanations that could support this higher rate are: (i) faster benzene-degrading organisms, (ii) enrichment using a batch study corresponding to a high maximal growth, and benzene degradation rate compared with limited substrate availability in a continuous culture used in this study corresponding to a lower maximal growth and benzene degradation rate. The rate of 0.15 $\mu\text{mol benzene/mg protein/day}$ found in the present study at a dilution rate of 2/day may not be the maximal degradation rate for the residing microbial community, since this rate was measured under benzene limiting conditions. Experimental data indicated that benzene degradation was not limited through benzene diffusion from the bulk liquid into the biofilm (Nielsen 1987; Rittmann and McCarty 1980). This suggests that the

maximal benzene degradation capacity obtained in this study was limited by the degradation kinetics of the microorganisms and/or the available biofilm surface in the culture. An increased benzene-degrading capacity of the bioreactor is expected if more surface area for biofilm formation would be available. The benzene degradation rate decreased in this study when a liquid inoculum with biofilm aggregates from the reactor was used in a microcosm. The degradation rate in the microcosm was lower than that observed in the continuous culture since solely liquid with biofilm aggregates was used as inoculum instead of pure biofilm culture. Our results show that most of the benzene degraders reside in the biofilm since 99.5% of the microbial biomass was present in the biofilms as was suggested before (van der Zaan et al. 2012).

The presence of benzoic acid (0.18 μM) in the culture vessel, and absence of phenol suggests that benzene is degraded via an initial carboxylation (Luo et al. 2014). Other observations that support this are (i) the presence of the benzene carboxylase encoding *abcA* gene, and (ii) the absence of *bssA* functional genes as determined by qPCR. The higher counts of the *abcA* gene compared with *Peptococcaceae* 16S rRNA gene copies may indicate that there are multiple *abcA* gene copies in the DNA of *Peptococcaceae*, that the primers are targeting similar genes, or that the *abcA* gene is also present in other organisms. While being beyond the scope of the current study, future experiments should include analysis of the putative benzene carboxylase gene at the RNA level to confirm that the *abcA* gene is expressed during growth on benzene.

A similar phylogenetic diversity was noted for all the liquid and biofilm samples, but lower numbers of OTUs in the brown biofilm indicate that the phylotypes observed in the brown biofilm were phylogenetically more distantly related than those present in the liquid phase and the white biofilm, as the diversity metric used here, PD whole tree, takes phylogenetic distance of community members into account (Faith 2006). The fact that benzoate degraders unable to degrade benzene were present may contribute to the high bacterial

diversity within the biofilm reactor. A rapid and extensive growth was indeed observed in transfers of the continuous culture in microcosms with benzoate.

Relatively high numbers of *Anaerolineaceae* 16S rRNA genes were detected in the biofilms. Currently, a few members of the family *Anaerolineaceae* are described and isolated that are strict anaerobes able to grow on oil components and often found under sulfate-reducing or methanogenic conditions (Liang et al. 2015; Sutton et al. 2013; Yamada et al. 2006). *Anaerolineaceae* family members grow by fermentation, generating fermentation intermediates such as acetate and hydrogen from alkanes, which can be oxidized by other community members (Liang et al. 2015; Yamada et al. 2006). Further, compiling evidence points towards potential roles of *Anaerolineaceae* in the degradation of aromatic compounds. For example, uncultured *Anaerolinea* spp. have been shown to scavenge organic compounds from lysed cells (Sekiguchi et al. 2003). Microbial community analysis of an anaerobic sequencing batch reactor (ASBR) revealed members of the family *Anaerolineaceae* as putative anaerobic phenol degraders (Rosenkranz et al. 2013). Kümmel et al. (2015) also obtained enrichments growing on polycyclic aromatic hydrocarbons (PAHs), benzene, toluene, ethylbenzene, and xylene (BTEX), highly enriched in *Anaerolineaceae*. It is possible that *Anaerolineaceae* are primary benzene degraders in the biofilm or that they are enriched within the biofilm because they oxidize benzoate excreted by primary benzene carboxylating *Peptococcaceae* (van der Zaan et al. 2012). Less than 0.5% of the benzene supplied to the reactor was detected as benzoate. *Peptococcaceae* may excrete benzoate from leaky cells or benzoate might be produced at the membrane as suggested for *Dechloromonas* strain RCB (Chakraborty and Coates 2005). Therefore, it is reasonable to assume that *Peptococcaceae* consume a major fraction of the benzene. It has previously been suggested that *Peptococcaceae* may be responsible for the first step in benzene degradation and *Azoarcus* scavenges electrons from benzoate, produced by leaky of lysed cells (Luo et al. 2014).

Being another predominant family observed in our study, members of the *Comamonadaceae* have been shown to be able to degrade phenol and toluene under denitrifying conditions (Arai et al. 1998; Sun and Cupples 2012). Recently, a *Comamonas* sp. was isolated from our reactor, which was not able to grow on benzene but grew on phenol, p-hydroxybenzoate, and methyl-hydroxybenzoate with nitrate (Balk, personal communication). Possibly, also other metabolites such as phenol are produced in the continuous culture. Members of the family SJA-28 are affiliated to the phylum *Ignavibacteria*. Current knowledge about *Ignavibacteriaceae* is limited. Kümmel et al. (2015) observed an increase in *Ignavibacteriaceae* in an enrichment culture obtained from a sediment sample contaminated with PAHs and BTEX. Besides SJA-28, *Rhodocyclaceae* were also relatively predominant. It

was previously suggested that *Rhodocyclaceae* are involved in nitrate reduction and syntrophically associated with the anaerobic benzene-degrading *Peptococcaceae* (Luo et al. 2014; van der Zaan et al. 2012). The recently isolated *Pseudomonas stutzeri* strain BN and a bacterium belonging to the *Bacillus* sp. from our reactor were not detected in the samples based on community analysis. It is possible that these strains are minor degrading populations, but based on the low relative abundance not responsible for the large amount of benzene degradation. The recently isolated *Ochrobactrum* sp. was present in our community data.

After the addition of the retentostat finger to further increase the activity of the benzene-degrading community, the degradation rate constant was initially higher than without retentostat. However, replication of the experiment with the retentostat finger resulted in a decreased benzene degradation capacity. This decreased degradation capacity may be explained by the selection of microbes with a high affinity and low maximum consumption rate for benzene. During retention of biomass more microbial cells in the culture vessel are expected to share the same amount of substrate. This induces starvation, and physiological adaptation of the benzene-degrading microorganisms or adaptation of the community composition to low substrate concentrations, generally resulting in a reduced maximum degradation rate (Ercan et al. 2015; Kjelleberg et al. 1993; Schut et al. 1993). At the same time a selective pressure is imposed, favoring the enrichment of microorganisms with high affinity for benzene, which may be expected to have relatively low maximal growth and degradation rates (Gottschal 1993). When the continuous culture was restored after the retentostat experiments, it degraded benzene to below 0.1 μM up to dilution rates of 4/day at a benzene reservoir concentration of 105 μM . This indicates that the diverse microbial community in the biofilm readily adjusts to changing conditions and was able to restore its function after a system perturbation, indicating resilience at least across the varying conditions applied in this study.

This study suggests that other bacteria besides *Peptococcaceae* have an important role in the anaerobic benzene degradation. Our data suggest that benzene is degraded through an initial carboxylation. This study also represents the highest anaerobic benzene degradation rate constant published so far and confirms that the microbial community in biofilms can be important for benzene degradation under conditions of continuous supply. It is therefore important to further study the significance of biofilms during natural attenuation at contaminated sites. This may also broaden our options to use biofilms for stimulated bioremediation through biostimulation and bioaugmentation at contaminated groundwater systems.

Acknowledgements We are grateful to the late Wilfred Röling (Department of Molecular Cell Physiology, VU) for his scientific input on experimental design and set up of this paper. Unfortunately, he passed

away before publication. We also like to thank Fredericke Hannes (Deltares, Utrecht) for expert advice and technical assistance, and Gerben Hermes and Javier Ramiro-Garcia (Laboratory of Microbiology, WUR) for help with the MiSeq sequencing. We also thank Rick Helmus and Olaf Brock for measuring metabolites in the continuous culture. This work was carried out within the BE-Basic R&D Program, which was supported through a FES subsidy from the Dutch Ministry of Economic affairs, Agriculture and Innovation (EL&I).

Compliance with ethical standards This article does not contain any studies with human participants or animals performed by any of the authors.

Conflict of interest The authors declare that they have no conflict of interest.

Open Access This article is distributed under the terms of the Creative Commons Attribution 4.0 International License (<http://creativecommons.org/licenses/by/4.0/>), which permits unrestricted use, distribution, and reproduction in any medium, provided you give appropriate credit to the original author(s) and the source, provide a link to the Creative Commons license, and indicate if changes were made.

References

- Abu Laban N, Selesi D, Jobelius C, Meckenstock RU (2009) Anaerobic benzene degradation by gram-positive sulfate-reducing bacteria. *FEMS Microbiol Ecol* 68:300–311. doi:10.1111/j.1574-6941.2009.00672.x
- Abu Laban N, Selesi D, Rattei T, Tischler P, Meckenstock RU (2010) Identification of enzymes involved in anaerobic benzene degradation by a strictly anaerobic iron-reducing enrichment culture. *Environ Microbiol* 12:2783–2796. doi:10.1111/j.1462-2920.2010.02248.x
- Arai H, Akahira S, Ohishi T, Maeda M, Kudo T (1998) Adaptation of *Comamonas testosteroni* TA441 to utilize phenol: organization and regulation of the genes involved in phenol degradation. *Microbiology* 144:2895–2903. doi:10.1099/00221287-144-10-2895
- Atashgahi S, Lu Y, Zheng Y, Saccenti E, Suarez-Diez M, Ramiro-Garcia J, Eisenmann H, Elsner M, JM Stams A, Springael D, Dejonghe W, Smidt H (2016) Geochemical and microbial community determinants of reductive dechlorination at a site biostimulated with glycerol. *Environ Microbiol*. doi:10.1111/1462-2920.13531
- Beller HR, Kane SR, Legler TC, Alvarez PJJ (2002) A real-time polymerase chain reaction method for monitoring anaerobic, hydrocarbon-degrading bacteria based on a catabolic gene. *Environ Sci Technol* 36:3977–3984. doi:10.1021/es025556w
- Burland SM, Edwards EA (1999) Anaerobic benzene biodegradation linked to nitrate reduction. *Appl Environ Microbiol* 65:529–533
- Caporaso JG, Kuczynski J, Stombaugh J, Bittinger K, Bushman FD, Costello EK, Fierer N, Pena AG, Goodrich JK, Gordon JI, Huttley GA, Kelley ST, Knights D, Koenig JE, Ley RE, Lozupone CA, McDonald D, Muegge BD, Pirrung M, Reeder J, Sevinsky JR, Turnbaugh PJ, Walters WA, Widmann J, Yatsunenko T, Zaneveld J, Knight R (2010) QIIME allows analysis of high-throughput community sequencing data. *Nat Methods* 7:335–336. doi:10.1038/nmeth.f.303
- Chakraborty R, Coates JD (2005) Hydroxylation and carboxylation—two crucial steps of anaerobic benzene degradation by *Dechloromonas* strain RCB. *Appl Environ Microbiol* 71:5427–5432. doi:10.1128/aem.71.9.5427-5432.2005
- Chen K-F, Chang Y-C, Huang S-C (2012) Biodegradation potential of MTBE and BTEX under aerobic, nitrate reducing, and methanogenic conditions at a gasoline-contaminated site. *Desalin Water Treat* 48:278–284. doi:10.1080/19443994.2012.698825
- Coates JD, Chakraborty R, Lack JG, O'Connor SM, Cole KA, Bender KS, Achenbach LA (2001) Anaerobic benzene oxidation coupled to nitrate reduction in pure culture by two strains of *Dechloromonas*. *Nature* 411:1039–1043
- Dou J, Liu X, Hu Z (2008a) Anaerobic BTEX degradation in soil bioaugmented with mixed consortia under nitrate reducing conditions. *J Environ Sci* 20:585–592. doi:10.1016/S1001-0742(08)62098-7
- Dou J, Liu X, Hu Z, Deng D (2008b) Anaerobic BTEX biodegradation linked to nitrate and sulfate reduction. *J Hazard Mater* 151:720–729. doi:10.1016/j.jhazmat.2007.06.043
- Dou J, Ding A, Liu X, Du Y, Deng D, Wang J (2010) Anaerobic benzene biodegradation by a pure bacterial culture of *Bacillus cereus* under nitrate reducing conditions. *J Environ Sci* 22:709–715. doi:10.1016/S1001-0742(09)60167-4
- Ercan O, Bisschops MMM, Overkamp W, Jørgensen TR, Ram AF, Smid EJ, Pronk JT, Kuipers OP, Daran-Lapujade P, Kleerebezem M (2015) Physiological and transcriptional responses of different industrial microbes at near-zero specific growth rates. *Appl Environ Microbiol* 81:5662–5670. doi:10.1128/aem.00944-15
- Faith DP (2006) The role of the phylogenetic diversity measure, PD, in bio-informatics: getting the definition right. *Evol Bioinformatics Online* 2:277–283
- Gottschal JC (1993) Growth kinetics and competition—some contemporary comments. *Antonie Van Leeuwenhoek* 63:299–313. doi:10.1007/bf00871225
- Helmus R, Brock OP, Carboni A, Prantl SM, van Leeuwen JA, Gerritse J, Parsons JR, de Voogt P (2016) Identification strategy for transformation products of environmental pollutants using UHPLC-QTOF. In: Nontarget 2016, Ascona
- Herrmann S, Kleinsteuber S, Chatzinotas A, Kuppardt S, Lueders T, Richnow H-H, Vogt C (2010) Functional characterization of an anaerobic benzene-degrading enrichment culture by DNA stable isotope probing. *Environ Microbiol* 12:401–411. doi:10.1111/j.1462-2920.2009.02077.x
- Kasai Y, Takahata Y, Manefield M, Watanabe K (2006) RNA-based stable isotope probing and isolation of anaerobic benzene-degrading bacteria from gasoline-contaminated groundwater. *Appl Environ Microbiol* 72:3586–3592. doi:10.1128/aem.72.5.3586-3592.2006
- Kjelleberg S, Albertson N, Flårdh K, Holmquist L, Jouper-Jaan Å, Marouga R, Östling J, Svenblad B, Weichard D (1993) How do non-differentiating bacteria adapt to starvation? *Antonie Van Leeuwenhoek* 63:333–341. doi:10.1007/bf00871228
- Kleinsteuber S, Schleinitz KM, Breiffeld J, Harms H, Richnow HH, Vogt C (2008) Molecular characterization of bacterial communities mineralizing benzene under sulfate-reducing conditions. *FEMS Microbiol Ecol* 66:143–157. doi:10.1111/j.1574-6941.2008.00536.x
- Koressaar T, Remm M (2007) Enhancements and modifications of primer design program Primer3. *Bioinformatics* 23:1289–1291. doi:10.1093/bioinformatics/btm091
- Kümmel S, Herbst F-A, Bahr A, Duarte M, Pieper DH, Jehmlich N, Seifert J, von Bergen M, Bombach P, Richnow HH, Vogt C (2015) Anaerobic naphthalene degradation by sulfate-reducing *Desulfobacteraceae* from various anoxic aquifers. *FEMS Microbiol Ecol* 91. doi:10.1093/femsec/fiv006
- Kunapuli U, Lueders T, Meckenstock RU (2007) The use of stable isotope probing to identify key iron-reducing microorganisms involved in anaerobic benzene degradation. *ISME J* 1:643–653
- Lane DJ (1991) 16S/23S rRNA sequencing. *Nucleic Acid Techniques in Bacterial Systematics*:115–175
- Liang B, Wang L-Y, Mbadinga SM, Liu J-F, Yang S-Z, Gu J-D, Mu B-Z (2015) *Anaerolineaceae* and *Methanosaeta* turned to be the

- dominant microorganisms in alkanes-dependent methanogenic culture after long-term of incubation. *AMB Express* 5:37. doi:10.1186/s13568-015-0117-4
- Liou JSC, DeRito CM, Madsen EL (2008) Field-based and laboratory stable isotope probing surveys of the identities of both aerobic and anaerobic benzene-metabolizing microorganisms in freshwater sediment. *Environ Microbiol* 10:1964–1977. doi:10.1111/j.1462-2920.2008.01612.x
- Lovley DR (1997) Potential for anaerobic bioremediation of BTEX in petroleum-contaminated aquifers. *J Ind Microbiol Biotechnol* 18:75–81. doi:10.1038/sj.jim.2900246
- Lowry OH, Rosebrough NJ, Farr AL, Randall RJ (1951) Protein measurement with the Folin phenol reagent. *J Biol Chem* 193:265–275
- Lueders T (2017) The ecology of anaerobic degraders of BTEX hydrocarbons in aquifers. *FEMS Microbiol Ecol* 93. doi:10.1093/femsec/fw220
- Luo F, Gitiafroz R, Devine CE, Gong Y, Hug LA, Raskin L, Edwards EA (2014) Metatranscriptome of an anaerobic benzene-degrading, nitrate-reducing enrichment culture reveals involvement of carboxylation in benzene ring activation. *Appl Environ Microbiol* 80:4095–4107. doi:10.1128/aem.00717-14
- Meckenstock RU, Boll M, Mouttaki H, Koelschbach JS, Cunha Tarouco P, Weyrauch P, Dong X, Himmelberg AM (2016) Anaerobic degradation of benzene and polycyclic aromatic hydrocarbons. *J Mol Microbiol Biotechnol* 26:92–118
- Milo R (2013) What is the total number of protein molecules per cell volume? A call to rethink some published values. *BioEssays* 35:1050–1055. doi:10.1002/bies.201300066
- Muyzer G, Ramsing NB (1995) Molecular methods to study the organization of microbial communities. *Water Sci Technol* 32:1–9. doi:10.1016/0273-1223(96)00001-7
- Nales M, Butler BJ, Edwards EA (1998) Anaerobic benzene biodegradation: a microcosm survey. *Bioremediat J* 2:125–144. doi:10.1080/10889869891214268
- Nielsen PH (1987) Biofilm dynamics and kinetics during high-rate sulfate reduction under anaerobic conditions. *Appl Environ Microbiol* 53:27–32
- Quast C, Pruesse E, Yilmaz P, Gerken J, Schweer T, Yarza P, Peplies J, Glöckner FO (2013) The SILVA ribosomal RNA gene database project: improved data processing and web-based tools. *Nucl Acids Res* 41:D590–D596. doi:10.1093/nar/gks1219
- Rajeev L, da Rocha UN, Klitgord N, Luning EG, Fortney J, Axen SD, Shih PM, Bouskill NJ, Bowen BP, Kerfeld CA, Garcia-Pichel F, Brodie EL, Northen TR, Mukhopadhyay A (2013) Dynamic cyanobacterial response to hydration and dehydration in a desert biological soil crust. *ISME J* 7:2178–2191. doi:10.1038/ismej.2013.83
- Ramiro-Garcia J, Hermes G, Giatsis C, Sipkema D, Zoetendal E, Schaap P, Smidt H (2016) NG-Tax, a highly accurate and validated pipeline for analysis of 16S rRNA amplicons from complex biomes [version 1; referees: 2 approved with reservations, 1 not approved] vol 5. vol 1791
- Rittmann BE, McCarty PL (1980) Model of steady-state-biofilm kinetics. *Biotechnol Bioeng* 22:2343–2357. doi:10.1002/bit.260221110
- da Rocha UN, van Elsas JD, van Overbeek LS (2010) Real-time PCR detection of *Holophagae* (*Acidobacteria*) and *Verrucomicrobia* subdivision 1 groups in bulk and leek (*Allium porrum*) rhizosphere soils. *J Microbiol Methods* 83:141–148. doi:10.1016/j.mimet.2010.08.003
- Rosenkranz F, Cabrol L, Carballa M, Donoso-Bravo A, Cruz L, Ruiz-Filippi G, Chamy R, Lema JM (2013) Relationship between phenol degradation efficiency and microbial community structure in an anaerobic SBR. *Water Res* 47:6739–6749. doi:10.1016/j.watres.2013.09.004
- Ruan M-Y, Liang B, Mbadinga SM, Zhou L, Wang L-Y, Liu J-F, Gu J-D, Mu B-Z (2016) Molecular diversity of bacterial *bamA* gene involved in anaerobic degradation of aromatic hydrocarbons in mesophilic petroleum reservoirs. *Int Biodeterior Biodegradation* 114:122–128. doi:10.1016/j.ibiod.2016.06.005
- Salinero KK, Keller K, Feil WS, Feil H, Trong S, Di Bartolo G, Lapidus A (2009) Metabolic analysis of the soil microbe *Dechloromonas aromatica* str. RCB: indications of a surprisingly complex lifestyle and cryptic anaerobic pathways for aromatic degradation. *BMC Genomics* 10:351–351. doi:10.1186/1471-2164-10-351
- Schut F, de Vries EJ, Gottschal JC, Robertson BR, Harder W, Prins RA, Button DK (1993) Isolation of typical marine bacteria by dilution culture: growth, maintenance, and characteristics of isolates under laboratory conditions. *Appl Environ Microbiol* 59:2150–2160
- Sekiguchi Y, Yamada T, Hanada S, Ohashi A, Harada H, Kamagata Y (2003) *Anaerolinea thermophila* gen. nov., sp. nov. and *Caldilinea aerophila* gen. nov., sp. nov., novel filamentous thermophiles that represent a previously uncultured lineage of the domain *Bacteria* at the subphylum level. *Int J Syst Evol Microbiol* 53:1843–1851. doi:10.1099/ijs.0.02699-0
- Staats M, Braster M, Röling WFM (2011) Molecular diversity and distribution of aromatic hydrocarbon-degrading anaerobes across a landfill leachate plume. *Environ Microbiol* 13:1216–1227. doi:10.1111/j.1462-2920.2010.02421.x
- Stothard P (2000) The sequence manipulation suite: JavaScript programs for analyzing and formatting protein and DNA sequences. *BioTechniques* 28(1102):1104
- Strous M, Heijnen JJ, Kuenen JG, Jetten MSM (1998) The sequencing batch reactor as a powerful tool for the study of slowly growing anaerobic ammonium-oxidizing microorganisms. *Appl Microbiol Biotechnol* 50:589–596. doi:10.1007/s002530051340
- Suarez MP, Rifai HS (1999) Biodegradation rates for fuel hydrocarbons and chlorinated solvents in groundwater. *Bioremediat J* 3:337–362. doi:10.1080/10889869991219433
- Sun W, Cupples AM (2012) Diversity of five anaerobic toluene-degrading microbial communities investigated using stable isotope probing. *Appl Environ Microbiol* 78:972–980. doi:10.1128/aem.06770-11
- Sutton NB, Maphosa F, Morillo JA, Abu Al-Soud W, Langenhoff AAM, Grotenhuis T, Rijnaarts HHM, Smidt H (2013) Impact of long-term diesel contamination on soil microbial community structure. *Appl Environ Microbiol* 79:619–630. doi:10.1128/aem.02747-12
- Taubert M, Vogt C, Wubet T, Kleinstaub S, Tarkka MT, Harms H, Buscot F, Richnow H-H, von Bergen M, Seifert J (2012) Protein-SIP enables time-resolved analysis of the carbon flux in a sulfate-reducing, benzene-degrading microbial consortium. *ISME J* 6:2291–2301 <http://www.nature.com/ismej/journal/v6/n12/supinfo/ismej201268s1.html>
- Tian L, Scholte J, Borewicz K, van den Bogert B, Smidt H, Scheurink AJW, Gruppen H, Schols HA (2016) Effects of pectin supplementation on the fermentation patterns of different structural carbohydrates in rats. *Mol Nutr Food Res*:n/a-n/a doi:10.1002/mnfr.201600149
- Ulrich AC, Edwards EA (2003) Physiological and molecular characterization of anaerobic benzene-degrading mixed cultures. *Environ Microbiol* 5:92–102. doi:10.1046/j.1462-2920.2003.00390.x
- Ulrich AC, Beller HR, Edwards EA (2005) Metabolites detected during biodegradation of ¹³C₆-benzene in nitrate-reducing and methanogenic enrichment cultures. *Environ Sci Technol* 39:6681–6691. doi:10.1021/es050294u
- Untergasser A, Cutcutache I, Koressaar T, Ye J, Faircloth BC, Remm M, Rozen SG (2012) Primer3—new capabilities and interfaces. *Nucl Acids Res* 40:e115. doi:10.1093/nar/gks596
- Van Verseveld HW, De Hollander JA, Frankena J, Braster M, Leeuwerik FJ, Stouthamer AH (1986) Modeling of microbial substrate conversion, growth and product formation in a recycling fermentor. *Antonie Van Leeuwenhoek* 52:325–342. doi:10.1007/bf00428644

- Vogt C, Kleinstüber S, Richnow HH (2011) Anaerobic benzene degradation by bacteria. *Microb Biotechnol* 4:710–724. doi:[10.1111/j.1751-7915.2011.00260.x](https://doi.org/10.1111/j.1751-7915.2011.00260.x)
- Weelink S (2008) Degradation of benzene and other aromatic hydrocarbons by anaerobic bacteria. Wageningen University, Dissertation
- Winderl C, Anneser B, Griebler C, Meckenstock RU, Lueders T (2008) Depth-resolved quantification of anaerobic toluene degraders and aquifer microbial community patterns in distinct redox zones of a tar oil contaminant plume. *Appl Environ Microbiol* 74:792–801. doi:[10.1128/aem.01951-07](https://doi.org/10.1128/aem.01951-07)
- Yamada T, Sekiguchi Y, Hanada S, Imachi H, Ohashi A, Harada H, Kamagata Y (2006) *Anaerolinea thermolimos* sp. nov., *Levilinea saccharolytica* gen. nov., sp. nov. and *Leptolinea tardivitalis* gen. nov., sp. nov., novel filamentous anaerobes, and description of the new classes *Anaerolineae* classis nov. and *Caldilineae* classis nov. in the bacterial phylum *Chloroflexi*. *Int J Syst Evol Microbiol* 56:1331–1340. doi:[10.1099/ijs.0.64169-0](https://doi.org/10.1099/ijs.0.64169-0)
- Ye J, Coulouris G, Zaretskaya I, Cutcutache I, Rozen S, Madden TL (2012) Primer-BLAST: a tool to design target-specific primers for polymerase chain reaction. *BMC Bioinformatics* 13:134. doi:[10.1186/1471-2105-13-134](https://doi.org/10.1186/1471-2105-13-134)
- van der Zaan BM, Saia FT, Stams AJ, Plugge CM, de Vos WM, Smidt H, Langenhoff AA, Gerritse J (2012) Anaerobic benzene degradation under denitrifying conditions: *Peptococcaceae* as dominant benzene degraders and evidence for a syntrophic process. *Environ Microbiol* 14:1171–1181. doi:[10.1111/j.1462-2920.2012.02697.x](https://doi.org/10.1111/j.1462-2920.2012.02697.x)