

Phylogenetic surveys on the newt genus *Tylototriton sensu lato* (Salamandridae, Caudata) reveal cryptic diversity and novel diversification promoted by historical climatic shifts

Bin Wang¹, Kanto Nishikawa², Masafumi Matsui², Truong Quang Nguyen^{3,4}, Feng Xie¹, Cheng Li¹, Janak Raj Khatiwada¹, Baowei Zhang⁵, Dajie Gong⁶, Yunming Mo⁷, Gang Wei⁸, Xiaohong Chen⁹, Youhui Shen¹⁰, Daode Yang¹¹, Rongchuan Xiong¹² and Jianping Jiang¹

¹ CAS Key Laboratory of Mountain Ecological Restoration and Bioresource Utilization & Ecological Restoration and Biodiversity Conservation Key Laboratory of Sichuan Province, Chengdu Institute of Biology, Chinese Academy of Sciences, Chengdu, Sichuan, China

² Graduate School of Human and Environmental Studies, Kyoto University, Kyoto, Japan

³ Institute of Ecology and Biological Resources, Hanoi, Vietnam

⁴ Graduate University of Science and Technology, Vietnam Academy of Science and Technology, Hanoi, Vietnam

⁵ College of Life Science, Anhui University, Hefei, China

⁶ College of Life Science, Northwest Normal University, Lanzhou, China

⁷ Natural History Museum of Guangxi, Nanning, China

⁸ Biodiversity Conservation Key Laboratory, Guiyang College, Guiyang, China

⁹ College of Life Science, Henan Normal University, Xinxiang, China

¹⁰ College of Life Science, Hunan Normal University, Changsha, China

¹¹ Institute of Wildlife Conservation, Central South University of Forestry & Technology, Changsha, China

¹² Department of Life Science, Liupanshui Normal University, Liupanshui, China

ABSTRACT

Global climatic transitions and Tibetan Plateau uplifts are hypothesized to have profoundly impacted biodiversity in southeastern Asia. To further test the hypotheses related to the impacts of these incidents, we investigated the diversification patterns of the newt genus *Tylototriton sensu lato*, distributed across the mountain ranges of southeastern Asia. Gene-tree and species-tree analyses of two mitochondrial genes and two nuclear genes revealed five major clades in the genus, and suggested several cryptic species. Dating estimates suggested that the genus originated in the early-to-middle Miocene. Under different species delimitating scenarios, diversification analyses with birth-death likelihood tests indicated that the genus held a higher diversification rate in the late Miocene-to-Pliocene era than that in the Pleistocene. Ancestral area reconstructions indicated that the genus originated from the northern Indochina Peninsula. Accordingly, we hypothesized that the Miocene Climatic Transition triggered the diversification of the genus, and the reinforcement of East Asian monsoons associated with the stepwise uplifts of the Tibetan Plateau promoted the radiation of the genus in southeastern Asia during the Miocene-to-Pliocene period. Quaternary glacial cycles likely had limited effects on speciation events in the genus, but mainly had contributions on their intraspecific differentiations.

Submitted 4 October 2017

Accepted 29 January 2018

Published 12 March 2018

Corresponding author

Jianping Jiang, jiangjp@cib.ac.cn

Academic editor

Marcial Escudero

Additional Information and
Declarations can be found on
page 19

DOI 10.7717/peerj.4384

© Copyright
2018 Wang et al.

Distributed under
Creative Commons CC-BY 4.0

OPEN ACCESS

Subjects Biodiversity, Biogeography, Evolutionary Studies, Zoology

Keywords Cryptic diversity, Radiation, Diversification rate, Climate shifts, Tibetan plateau, *Tylotriton*

INTRODUCTION

Southeastern Asia contains several biodiversity-hotspots (*Myers et al., 2000*). Processes promoting origin of biodiversity in this region have been explained by several mechanisms, including vicariations due to alterations of biogeographical configurations (*Peng et al., 2006; Zhang et al., 2010*), rapid radiations (*Liu et al., 2006; Sun et al., 2012; Wang et al., 2012a; Wang et al., 2012b; Kennedy et al., 2012*) and diversification rate shifts (*Leneuve, Chichvarkhin & Wahlberg, 2009; Mao et al., 2010; Yu et al., 2014*) associated with the growths of the Tibetan Plateau.

Despite arguments on timing and patterns of the uplifts of the Tibetan Plateau and adjacent regions (*Harrison et al., 1992; Li & Fang, 1999; An et al., 2001; Sun & Wang, 2005; Molnar, Boos & Battisti, 2010; Yao et al., 2011*), this process was unequivocally estimated to have occurred within the late Tertiary, and episodes of uplifts probably continued throughout the Pliocene and even Quaternary (*Wan et al., 2007; Favre et al., 2014*). The uplifts of the Tibetan Plateau had reinforced the East Asian monsoons (EAMs) several times, such as that about ~15 Mya and ~8 Mya (*An et al., 2001; Wan et al., 2007; Yao et al., 2011*). These incidents were proposed to have been promoted high levels of biodiversity transformations and radiations which created the present extraordinary high biodiversity in this region (*Favre et al., 2014; Klaus et al., 2016*).

Quaternary climatic oscillations have been singled out as another kind of historical forces in shaping species distributions and modulating local diversification (*Hewitt, 2000*). The effects of Pleistocene glaciations on promoting speciation, however, remain controversial. The refugium hypothesis (*Haffer, 1969*) indicates that speciation rates have increased because of vicariations among glacial refugia (*Knowles, 2001; Knowles & Richards, 2005*). On the contrary, the model of decreased diversification rates as a result of the increased extinction rates as related to the Pleistocene glaciations was postulated (*Coope, 2004; Zink, Klicka & Barber, 2004*). Additionally, the pattern with a constant diversification rate was proposed (*Zink & Klicka, 2006*) because diversification rates were also likely to be influenced by biotic factors (*Thomas et al., 2010*), ecological features (*Weir & Schluter, 2007*) or random episodes (*Blount, Borland & Lenski, 2008*). Yet in southeastern Asia, a number of evolutionary studies mainly reflect the contributions of the Pleistocene glacial cycles on the intraspecific lineage heterogeneity and revealed many local refugia for lineages especially in isolated mountains (e.g., *Ding et al., 2011; Wang et al., 2012a; Wang et al., 2012b; Wang et al., 2013; Gu et al., 2013; Lin et al., 2014*).

To explore diversification dynamics of a species group, inclusion of a high ratio of the total number of natural “true” species is the most important factor (*Cusimano, Stadler & Renner, 2012*). However, species diversity and taxonomy are still poorly known in many regions (e.g., the tropical region; *Dubey & Shine, 2012*). Taxonomic uncertainty may be due to inadequate biodiversity inventories, limited data to delimit taxonomic units and

inconsistent criteria for species delimitation (Renner & Cusimano, 2010; Dubey & Shine, 2012). Many areas in southeastern Asia have not been thoroughly explored especially in the high-endemism-diversity regions, such as Himalayas, Hengduan Mountains and the tropical region of Indochina. In these areas, recently, a large number of new amphibian species were described (see Frost, 2016). Moreover, in many presumably well-described groups, molecular data indicated that many nominal species are not monophyletic (e.g., *Tylotriton asperrimus* complex; Yuan et al., 2011), and taxonomic reclassifications are needed. Even in a complete biodiversity inventory, different species concepts would produce different sets of taxonomic units (e.g., the *Gynandropaa* complex; Zhang et al., 2010; Fei, Ye & Jiang, 2012). Obviously, taxonomic uncertainty may influence the reconstructions of diversification patterns. Therefore, we need to examine the role of taxonomic uncertainty on exploring diversification patterns.

The newt genus *Tylotriton sensu lato* (s.l.) Anderson, 1871 (Salamandridae, Caudata) currently contains 24 nominal species (Fei, Ye & Jiang, 2012; Zhao et al., 2012; Frost, 2016), and is distributed across southeastern Asia. *Tylotriton* s.l. was supported as a monophyletic group in previous phylogenetic studies (e.g., Nishikawa et al., 2013; Nishikawa, Matsui & Nguyen, 2013). But based on morphology, this group has ever been divided into three genera, i.e., *Tylotriton sensu stricto*, *Yaotriton* and *Liangshantriton* (Fei, Ye & Jiang, 2012). Twelve *Tylotriton* s.l. species have been described in the past five years (Zhao et al., 2012; Shen, Jiang & Mo, 2012; Hou, Li & Lu, 2012; Nishikawa et al., 2013; Nishikawa, Matsui & Nguyen, 2013; Nishikawa, Matsui & Rao, 2014; Yang et al., 2014; Khatiwada et al., 2015; Phimmachak, Aowphol & Stuart, 2015). But within all nominal species, *T. dawweishanensis* was argued to be synonym of *T. yangi* (Nishikawa et al., 2015), and *T. shanjing* was argued to be synonym of *T. verrucosus* (Zhang et al., 2007). These inconsistencies indicate that deep phylogenetic investigations in the group were required to investigate the relationships within *Tylotriton* to resolve species relationships and uncover any cryptic diversity within this group using multiple genes. Additionally, most *Tylotriton* s.l. species are found to be distributed allopatrically throughout the Asian monsoon climate zone (Frost, 2016), with a preference for humid environments, and usually inhabit and breed near or in ponds in the forest because many of them have limited capability on dispersal capability (Fei, Ye & Jiang, 2012). Accordingly, it is presumed that their diversification may have been easily impacted by historical climatic changes. Therefore, this genus is an ideal model to examine the effects of past climatic shifts on the diversification in southeastern Asia.

We hypothesize that the past climatic changes, especially the reinforcement of the East Asian monsoons (EAMs) associated with the stepwise uplifts of the Tibetan Plateau during the late Tertiary and Quaternary glacial oscillations, drove the speciation diversification of *Tylotriton* s.l.. Thus, in this study, to test the hypotheses, based on the sampling of all 24 nominal *Tylotriton* s.l. species and molecular data of mitochondrial and nuclear genes, we reconstruct species phylogenetic relationships and infer a time frame and diversification patterns for the *Tylotriton* s.l. newts.

MATERIALS AND METHODS

Sampling and sequencing

A total of 108 samples was used, representing all 23 recognized species (we did not use “*T. daweishanensis*” because it is assigned as synonym of *T. yangi*) of *Tylototriton s.l.*, which were collected from 49 localities scattering across the range of the genus in the southeastern Asia (Fig. 1A; Table S1). Based on previous studies (Steinfartz *et al.*, 2007; Zhang *et al.*, 2008), 23 species representing major divisions within Salamandridae were included in our phylogenetic analyses, and one *Ambystoma mexicanum* was used as outgroup (Table S1). In these 23 Salamandridae species, two specimens of *Echinotriton chinhaiensis* (Zhang *et al.*, 2008) were collected in this study. The Animal Care and Use Committee of Chengdu Institute of Biology, CAS provided full approval for this purely observational research (Number: CIB2010031015). Field experiments were approved by the Management Office of the Kuankuoshui Nature Reserve (number: KKS NR201204002) and the Management Office of the Dabashan Nature Reserve (number: DBSNR201204002).

The genomic DNA was extracted with the Qiagen DNeasy tissue kits (Qiagen, Hilden, Germany) from tissues preserved in 95% alcohol. Fragments of two mitochondrial genes, i.e., *16S* and *ND2*, and two nuclear genes, *NCX1* and *BDNF*, were amplified for all samples collected in this work. Primers for amplifying *ND2*, *NCX1* and *BDNF* genes were designed in this study (Table S2). The polymerase chain reaction (PCR) cycles included an initial denaturation step of 4 min at 94 °C and 35 cycles of denaturation for 30 s at 94 °C, primer annealing for 30 s at 48–58 °C, and extension for 1 min 30 s at 72 °C. Sequencing was performed in both directions using the primers in PCR on ABI3730 sequencer. New sequences were deposited in GenBank (accession numbers were shown in Table S1). *ND2* sequences of 28 specimens were retrieved from GenBank (see Table S1), and *ND2* sequences of two *T. yangi* samples were from Zhao *et al.* (2012).

Alignments were performed in the program MAFFT v.6 (Katoh *et al.*, 2002) with default options. To avoid artificial bias in refining alignments, GBLOCKS v.0.91.b (Castresana, 2000) with default settings was used to extract regions of defined sequence conservation from the length-variable *16S* fragment. DNA sequences of each protein-coding gene were translated into amino acid sequences, and then the amino acid sequences of each gene were aligned in MEGA v.6 (Tamura *et al.*, 2013). The nucleotide gaps were determined according to the positions of amino-acid gaps in the alignments of the amino acid sequences. Non-sequenced fragments were defined as missing loci. Recombination in the nuclear markers was tested in the program RDP3 (Martin *et al.*, 2010) with default setting. The test indicated that there was no recombination in the nuclear markers.

Phylogenetic analyses

Gene trees were reconstructed just for the mitochondrial DNA (mtDNA) data and four-gene concatenated data, respectively, because there were few variable sites in nuclear gene data for reconstructing reliable nuclear gene trees. Maximum likelihood (ML) and Bayesian Inference (BI) analyses were conducted in the programs RAXML v.8.1.24 (Stamatakis, 2014) and MRBAYES v.3.2.6 (Ronquist *et al.*, 2012), respectively. To avoid under- or over-parameterization (Lemmon & Moriarty, 2004; McGuire *et al.*, 2007), the

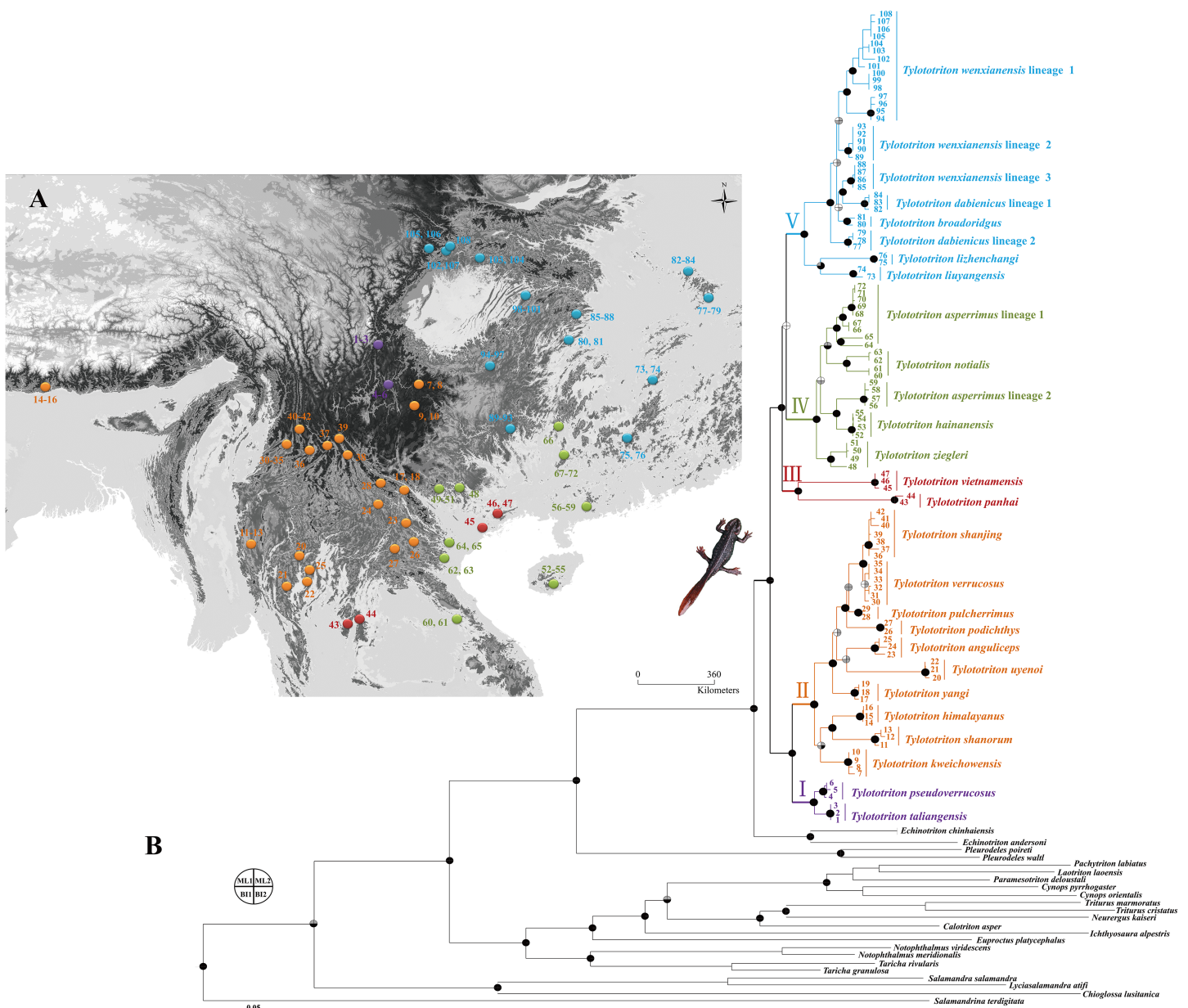


Figure 1 Sampling localities (A) and Maximum likelihood (ML) tree obtained based on mtDNA data of *Tylotriton s.l.* and relatives (B). Sample number 1–108 refer to Table S1. Five clades (I, II, III, IV and V) of the genus were denoted as different colors. Bootstrap supports (bs) resulted from ML analyses and posterior probability (pp) resulted from Bayesian inference (BI) method were labeled on major nodes. Node supports ML1 and BI1 were resulted from analyses on mtDNA data, while ML2 and BI2 were from analyses on four-gene concatenated data. Black: bs > 70% or pp > 0.95, grey: bs = 50–70% or pp = 0.85–0.95, white: bs < 50% and pp < 0.85.

Full-size DOI: 10.7717/peerj.4384/fig-1

best partition scheme and the best evolutionary model for each partition were selected for the phylogenetic analyses using the program PARTITIONFINDER v.1.1.1 (Lanfear et al., 2012). For PARTITIONFINDER analyses, 16S gene and each codon position of each protein-coding gene was defined and the “greedy” search where branch length estimates were unlinked under the Bayesian Inference Criteria (BIC) as recommended by

Lanfear et al. (2012) was performed. In ML analyses, the best tree was produced from 1,000 iterations of the random addition of taxa. For the ML tree, branch supports were drawn from 10,000 non-parametric bootstrap replicates. Four-gene concatenated data was analyzed with joint branch optimization to minimize the impact of missing loci on branch lengths. For BI analyses, gaps were scored as presence/absence data in the program GAP-CODER (*Young & Healy, 2003*) using the procedure of (*Simmons, Ochoterena & Carr, 2001*). In BI analyses, the parameters for each partition were unlinked, and branch lengths were allowed to vary proportionately across partitions. Two independent runs were initiated each with four simultaneous Markov Chain Monte Carlo (MCMC) chains for 100 million generations and sampled every 1,000 generations. Convergence of chains and burn-in periods were determined using the program TRACER v.1.6 (*Rambaut et al., 2014*). Then the burn-in samples (the first 25% defined by Tracer) were discarded, and then a maximum bifurcating consensus tree and posterior probability (pp) were derived from the remaining samples.

To explore the possibility that the unlinked gene trees might be incongruent among each other or with the species tree due to processes such as hybridization, incomplete lineage sorting, horizontal gene transfer, or gene duplication (*Maddison, 1997; Kubatko & Degnan, 2007; Degnan & Rosenberg, 2009; Edwards & Beerli, 2000*), the species tree was inferred using multispecies coalescent inference. The analyses were conducted using the *BEAST option (*Heled & Drummond, 2010*) in the program BEAST v.2.3.0 (*Bouckaert et al., 2014*), as described in the following section together with dating estimations.

Dating analyses

Divergence times were estimated also based just on mitochondrial data and four-gene concatenated data, respectively, because there were few variable sites in nuclear gene data for reconstructing reliable nuclear gene trees. Time-calibrated phylogenies were reconstructed by incorporating fossil calibration points using BEAST. Four Salamandridae fossil records were used as calibration points. The first calibration point was the divergence between *Tylotriton s.l.* and *Pleurodeles* for which the minimum age was set to 44 Mya, based on a *Tylotriton*-related salamandrid fossil, *Chelotriton* (*Herre, 1935; Estes, 1981; Milner, 2000*). The relevant fossil of *Brachycormus* was not used because it was alleged to have been a neotenic amphibian or a derivate of *Chelotriton* (*Roček, 1996a; Roček, 1996b*). Secondly, the minimum age of ancestor of *Taricha* and *Notophthalmus* was presumed to be 22 Mya based on a fossil of *Taricha oligocenica* (*Estes, 1981*). Then the minimum age of the common ancestor of *Triturus* was given as 24 Mya based on a *Triturus* fossil (*Böhme, 2003*). Finally, based on the fossil of *Procynops miocenicus* closely related to *Cynops* (*Estes, 1981*), we presumed the minimum divergence time between *Cynops* and *Paramesotriton* at ~15 Mya. A lognormal prior distribution was applied for each calibration point in view of the fact that this model allowed for uncertainty of the age estimation of the fossil and bias associated with the incompleteness of the fossil record (*Forest, 2009*).

For BEAST analyses, to avoid zero-length branches, each coalescent cluster was represented by one specimen. So the Generalized Mixed Yule Coalescent (GMYC) method (*Pons et al., 2006; Fontaneto et al., 2007*) was used to identify coalescent clusters

within *Tylotriton s.l.* The GMYC method was proposed to potentially promote objective delimitation of coalescent clusters even based on single gene and supplies explanations for divergences between clusters by speciation models (Powell, 2012). GMYC analysis was implemented in the R package SPLITS (Species Limits by Threshold Statistic) using the single-threshold option. Because the GMYC analysis needs a time-scale tree, a preliminary BEAST analysis was conducted only based on mtDNA data set with the best partitioning scheme and the best model for each partition selected above. In this analysis, a conservative parameter setting (i.e., a relaxed lognormal clock with the mean rate set to 1 and a coalescent Yule model as tree prior) was assigned (Monaghan et al., 2009). MCMC chains were run for 20 million generations with sampling every 1,000 generations, and the first 25% generations were discarded as burn-in. GMYC analysis resulted in 39 cluster representatives (see ‘results’), which were used for the following analyses.

For BEAST analyses, the best partition scheme and the best evolutionary model for each partition were also selected for the phylogenetic analyses using the program PARTITIONFINDER. An unlinked uncorrected lognormal relaxed clock to each partition, a Yule speciation process for branching rates, and the model of four rate categories for nucleotide substitutions were defined for the analyses. A ML tree was used as a starting tree inferred by RAXML based on single-GMYC-cluster representatives. Two runs of 100 million generations sampling every 1,000 generations were conducted. The convergence of MCMC chains and burn-in periods were determined by Tracer. A maximum clade credibility (MCC) tree with posterior probability was calculated using TREEANNOTATOR.

Species tree was inferred using *BEAST. The method needs prior assignments of specimens to species. So the selection of specimens for *BEAST analyses was according to the GMYC clusters and the sampling number (>1) of each cluster. GMYC singletons and individuals with missing data genes were excluded. Because we obtained sequences of nuclear genes only for 91 *Tylotriton s.l.* samples and two *E. chinhaiensis* samples, outgroup fossil calibrations (see above) could not be utilized for the *BEAST analysis. So, the nucleotide substitution rate of each partition was set according to the rate estimations from the four-gene concatenated BEAST analyses conducted above. For *BEAST analysis, mitochondrial DNA (16S + ND2) and each nuclear gene was defined as an independent partition, respectively. The best-fitting substitution model for each partition was selected by the program JMODELTEST v.2.1 (Guindon & Gascuel, 2003; Durrin et al., 2012). *BEAST analyses were carried out using the unlinked uncorrected lognormal relaxed clock to each partition and a Yule speciation process as tree prior. Lognormal prior distributions were assigned for mean rate of each partition. Two runs of 150 million generations were carried out with sampling every 1,000 generations. Convergence of MCMC chains and burn-in periods were assessed using TRACER.

Topology of the *BEAST tree with fewer number of species was almost consistent with the BEAST tree except for the position of one major clade (see ‘results’). Therefore, to produce a “complete species-time-tree”, a final topology-constrained BEAST analysis was conducted based on mtDNA of GMYC cluster representatives and all outgroups by applying a constraint of the topology as the *BEAST species tree. The fossil calibrations and parameter-settings were specified as constant as the mtDNA-BEAST analysis above.

Ancestral area reconstructions

Ancestral area was reconstructed using the statistical dispersal-vicariance analysis (S-DIVA; [Yu, Harris & He, 2010](#)) and Bayesian Binary MCMC (BBM) all implemented in the program RASP v.3.2 ([Yu, Harris & He, 2012](#)). According to the zoogeographic regions defined by [Fei, Ye & Jiang \(2010\)](#) using amphibian data, the distribution range of *Tylostotriton s.l.* could be delineated into four regions: A, Northern Indochina Peninsula and South Yunnan Province of China (NIP-SY); B, Southwest China mountains and Eastern Himalaya mountains (SCM-EHM); C, Coastal areas of Southern China region and Hainan Island (CSC-HI); D, Central China region (CC).

Ancestral area reconstructions were based on the final 39-GMYC-cluster MCC tree (see 'results') and randomly sampled 2,000 post-burn-in MCMC trees resulted from the final topology-constrained BEAST analysis above. The maximum number of ancestral areas was restricted to two based on distributional suggestions for each species or species group ([Fei, Ye & Jiang, 2012](#)) and preliminary analyses comparing the S-DIVA values, analogous to the fit of the data to the area model, of $n = 2, 3$ and 4. The dispersal event was restricted to adjacent regions. The BBM analysis was conducted for 500,000 generations of 10 chains at a temperature of 0.1. Fixed state frequencies of the JC model, equal rate variation among sites and a wide root distribution were specified, and null distribution and distributions outside target regions were prohibited in any reconstructions.

Diversification analyses

Diversification analyses are dependent on the number of user-specified biodiversity units. Yet there is controversy on the criterion to delimit species-level lineages. To evaluate how robust models of diversification were to variation of number of species-level units, phylogenetic lineages were delimited according to three criteria: GMYC clusters (statistically inferred coalescent lineages), currently recognized nominal species (NS) and NS plus (NSP: NS plus independent lineages representing putative cryptic species, for example, *T. wenzianensis* lineage 2 and 3, see 'results'). Two thousand trees were randomly sampled from the post-burn-in posterior trees resulted from the final topology-constrained BEAST analysis. Then, MCC tree and 2,000 sampled posterior trees were pruned according to each lineage delimiting strategy. The number of lineages varied when we used different units of biodiversity: 39 GMYC-clusters, 23 NS, and 27 NSP (see results). Finally, the pruned 39-tips, 23-tips and 27-tips trees were used for diversification analyses.

To visualize the temporal accumulation of lineages, the log-transformed lineage-through-time (LTT) plots were constructed for each lineage delimiting strategy. To test if the time-lag between the origin and divergence of extant *Tylostotriton s.l.* departed from random expectations under the birth-death model, simulations ($n = 10,000$) under birth-death process were run using five different sampling fractions: 100%, 90%, 80%, 70% and 50%, respectively. Parameters for the simulations included the speciation and extinction rates, the age of the stem group and the number of extant lineages all estimated from the observed data based on the birth-death model. Simulations were carried out in the R ([R Development Core Team, 2008](#)) package TREESIM ([Stadler, 2011](#)). LTT plots of

the simulated trees were then constructed to compare with the average LTT plot of the empirical data.

To examine diversification rate shifts, the birth-death likelihood (BDL) test (Rabosky, 2006) was carried out in R packages LASER (Rabosky, 2006) and GEIGER (Harmon et al., 2008). In BDL analysis, six models (pure birth, birth-death, yule2rate, DDL (diversity-dependent linear decrease) and DDX (diversity-dependent exponential decrease)) were fitted to the observed data under the Akaike's information criterion (AIC). The best model was selected by calculating the difference (Δ AIC) in AIC scores between the best rate-variable (RV) models and the best rate-constant (RC) models (Rabosky, 2006). The significance of the observed Δ AIC_{RC} statistic was assessed by one-tailed tests (Rabosky & Lovette, 2008a). Additionally, other three diversification models were also tested. SPVAR permits speciation rate to vary over time, EXVAR permits extinction rate to vary over time, and BOTHVAR allows both to vary over time (Rabosky & Lovette, 2008b). Finally, Akaike weights (Turkheimer, Hinz & Cunningham, 2003) were calculated for each model.

RESULTS

Phylogenetic assignments and dating estimation

A total of 133 samples was included, and 108 individuals representing all currently nominal species of *Tylosotriton s.l.* (Table S1). Alignments resulted in 1,035 bps for *ND2*, 501 bps for *NCX1* and 648 bps for *BDNF*, and GBLOCKS analysis resulted in 433 bps for *16S*. In the *ND2* alignment, there were few numbers of gaps existing in several outgroup species.

ML and BI analyses both supported the monophyly of the genus *Tylosotriton s.l.*, and all revealed five major clades in it (Fig. 1B). ML and BI analyses supported the relationships among clades as ((I, II), (III, IV, V)). Note that, the presently so-called "*T. asperrimus*", "*T. wenzianensis*" and "*T. dabienicus*" taxa were not resolved as monophyletic, and contained two, three and two polyphyletic lineages, respectively, which were indicated as containing cryptic species.

GMYC analysis resulted in 39 independent coalescent clusters within *Tylosotriton s.l.* ($P < 0.01$), consisting of 15 singletons and 24 clusters (Fig. S1). After excluding GMYC singletons and individuals with missing data genes, 19 GMYC clusters were used for species-tree analyses. Species tree had almost consistent framework with the gene trees except for one instance of incongruence, i.e., *T. vietnamensis* representing Clade III was clustered at the basal position of the genus in species tree, but in gene trees, this relationships was not resolved (Figs. 1 and 2).

The chronograms inferred from the gene-tree and species-tree approaches based on different data sets presented similar divergence time estimates (Table 1; Figs. 2 and 3). All dating estimations recovered a middle Miocene-to-present timeframe for *Tylosotriton s.l.* (Table 1; Figs. 2 and 3; Fig. S2). Generally, the mean nodal ages estimated using the species-tree approach were little younger than the estimations resulted from the gene-tree approaches, although their 95% highest posterior densities (HPD) overlapped for each node. Except for the divergence of *T. dabienicus* lineage 1 and *T. wenzianensis* lineage 3, and that of *T. shanjing* and *T. verrucosus*, speciation of all nominal species basically predated the Pleistocene.

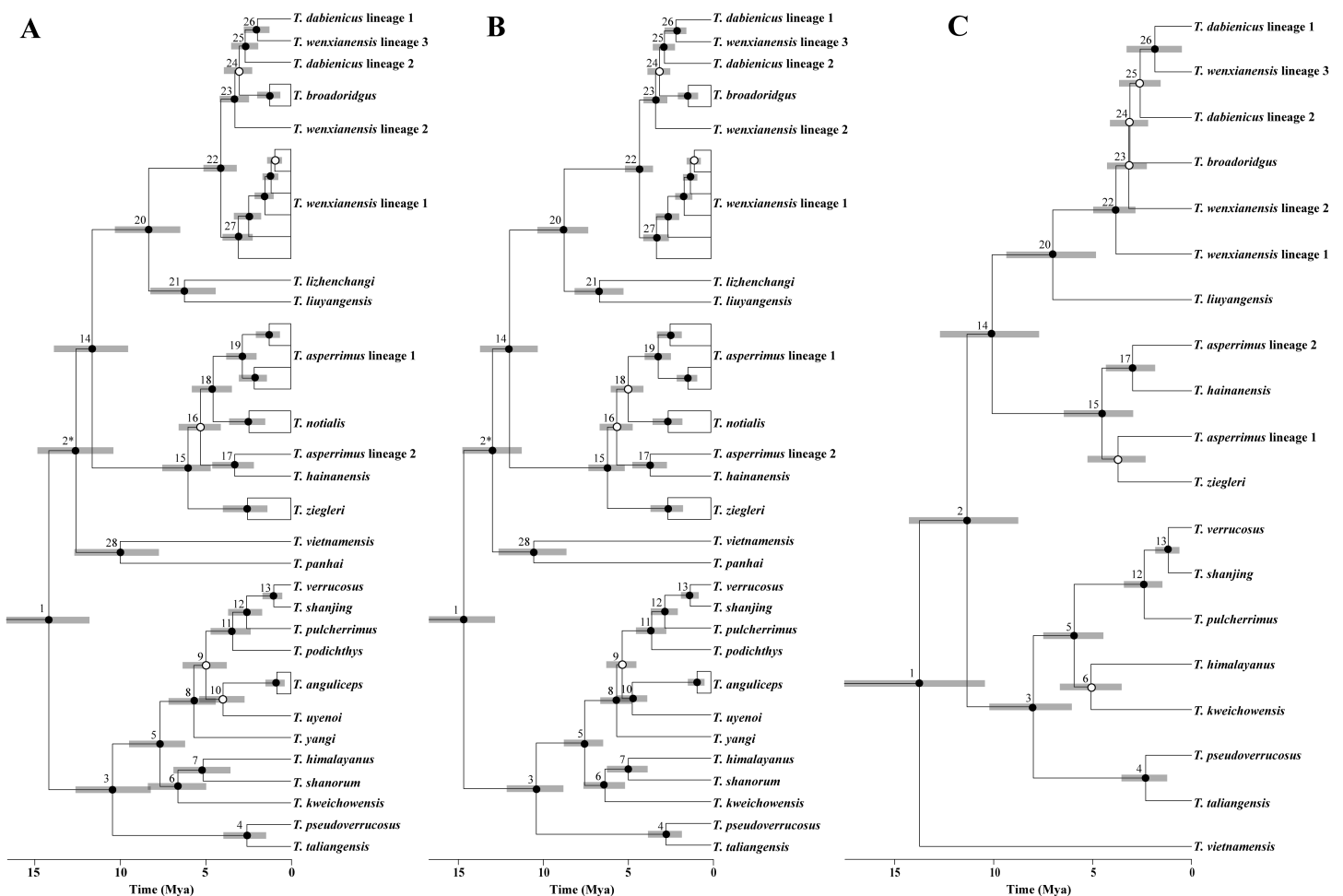


Figure 2 Time-calibrated gene trees and species tree of *Tylototriton s.l.* (A) BEAST gene tree of mtDNA; (B) BEAST gene tree of four-gene concatenated data; (C) species tree. Node number was denoted near each node. Node 2* in gene trees and node 2 in species tree had different topology. Bayesian posterior probabilities (pp) were denoted on nodes. Black circles: pp = 0.95–1.0; open circles: pp < 0.95.

Full-size [DOI: 10.7717/peerj.4384/fig-2](https://doi.org/10.7717/peerj.4384/fig-2)

Ancestral areas

Ancestral area reconstructions from S-DIVA and BMM analyses based on the “complete species-time” Beast trees were largely consistent (Fig. 3). The probability resulting from two methods for the occurrence of each node was greater than 80%. Both methods indicated NIP-SY as the ancestral area of *Tylototriton s.l.* Similarly, the ancestors of Clades II, III and IV were also indicated as originating from NIP-SY. Only Clade I originated from SCM-EHM and Clade V from CC. At least four dispersal events in the late Miocene were supported (Fig. 3). During the middle Miocene ~12.5 Mya, a dispersal event from NIP-SY to CC was at the origin of the formation and expansion of Clade V. During the middle Miocene ~10 Mya, a dispersal event from NIP-SY to SCM-EHM was at the origin of the formation of high plateau endemic species (i.e., *T. taliangensis* and *T. pseudoverrucosus*). Then the dispersal from NIP-SY to SCM-EHM during the late Miocene ~7.5 Mya can explain the speciation of *T. kweichowensis* widely distributed in the Guizhou plateau of

Table 1 Mean node age estimates and 95% highest posterior densities obtained from gene-tree (BEAST) and species-tree approaches (*BEAST). The difference between nodes 2 and 2* refer to Fig. 2.

Node	mtDNA Beast	Four-gene concatenated Beast	*BEAST	Topology-constrained Beast
1	14.1 (11.8–16.6)	14.6 (12.8–16.7)	13.7 (10.4–17.5)	14.4 (12.0–17.0)
2	/	/	11.3 (8.8–14.3)	13.7 (11.6–16.2)
2*	12.5 (10.4–14.8)	12.9 (11.2–14.7)	/	/
3	10.4 (8.2–12.6)	10.3 (8.7–12.1)	8.0 (6.1–10.2)	10.0 (8.1–12.1)
4	2.6 (1.4–3.9)	2.7 (1.7–3.7)	2.3 (1.2–3.5)	2.6 (1.4–4.0)
5	7.6 (6.2–9.4)	7.5 (6.4–8.7)	5.9 (4.5–7.5)	7.6 (6.1–9.2)
6	6.6 (4.9–8.3)	6.3 (5.1–7.5)	5.1 (3.5–6.7)	6.4 (4.9–8.1)
7	5.1 (3.5–6.8)	4.9 (3.7–6.2)	/	5.0 (3.5–6.6)
8	5.7 (4.4–7.1)	5.6 (4.6–6.5)	/	5.6 (4.4–7.0)
9	5.0 (3.7–6.3)	5.3 (3.8–5.6)	/	5.2 (4.0–6.6)
10	4.0 (2.7–5.3)	4.7 (4.4–6.2)	/	4.4 (3.2–5.7)
11	3.4 (2.3–4.7)	3.5 (2.6–4.4)	/	3.5 (2.4–4.8)
12	2.7 (1.7–3.7)	2.7 (2.0–3.6)	2.4 (1.5–3.4)	2.7 (1.7–3.8)
13	1.0 (0.5–1.6)	1.2 (0.7–1.8)	1.2 (0.6–1.8)	1.0 (0.5–1.7)
14	11.6 (9.5–13.8)	11.9 (10.3–13.7)	10.1 (7.7–12.7)	12.4 (10.1–14.7)
15	6.0 (4.7–7.5)	6.1 (5.1–7.2)	4.5 (3.0–6.5)	6.2 (4.8–7.8)
16	5.3 (4.1–6.5)	5.6 (4.6–6.6)	/	5.4 (4.3–6.8)
17	3.3 (2.2–4.6)	3.6 (2.6–4.6)	3.0 (1.8–4.3)	3.4 (2.2–4.7)
18	4.5 (3.4–5.8)	4.9 (4.0–5.9)	/	4.7 (3.5–6.0)
19	2.8 (2.0–3.8)	3.1 (2.4–3.9)	/	2.9 (2.0–3.9)
20	8.3 (6.5–10.3)	8.7 (7.3–10.3)	7.6 (4.8–9.4)	8.6 (6.7–10.7)
21	6.2 (4.4–8.2)	6.6 (5.2–8.1)	/	6.4 (4.5–8.4)
22	4.1 (3.2–5.1)	4.2 (3.4–5.1)	3.8 (2.8–5.0)	4.2 (3.3–5.3)
23	3.3 (2.4–4.2)	3.3 (2.6–4.0)	3.2 (2.3–4.3)	3.4 (2.5–4.3)
24	3.0 (2.3–3.9)	3.0 (2.4–3.8)	3.1 (2.2–4.1)	3.1 (2.3–4.1)
25	2.7 (1.9–3.5)	2.7 (2.1–3.4)	2.6 (1.6–3.7)	2.4 (2.0–3.7)
26	1.9 (1.2–2.7)	2.1 (1.5–2.7)	1.9 (1.0–2.8)	2.0 (1.3–2.8)
27	3.1 (2.2–4.0)	3.2 (2.5–4.0)	/	3.2 (2.3–4.1)
28	10.0 (7.7–12.6)	10.5 (8.6–12.6)	/	11.5 (8.7–14.4)

China. Finally, a dispersal event from NIP-SY to CSC-HI during the late Miocene can explain the formation of species presently living in the South China.

Diversification analyses

LTT plots for 39-GMYC-cluster, 23-NS and 27-NSP data were presented in Fig. 4. The appearance variations of LTT plots for different lineage delimiting dispositions were mainly derived from variations of the number of terminal tips. Using different undersampling scenarios, 10,000 trees were simulated for different lineage delimiting strategies on the observed number of extant species ($n = 39, 27$ and 23) and the observed fixed time since origin (stem age = 22.46 Ma) under the birth-death process (speciation rates and extinction rates for each delimiting strategies were shown in Fig. S3). Under full

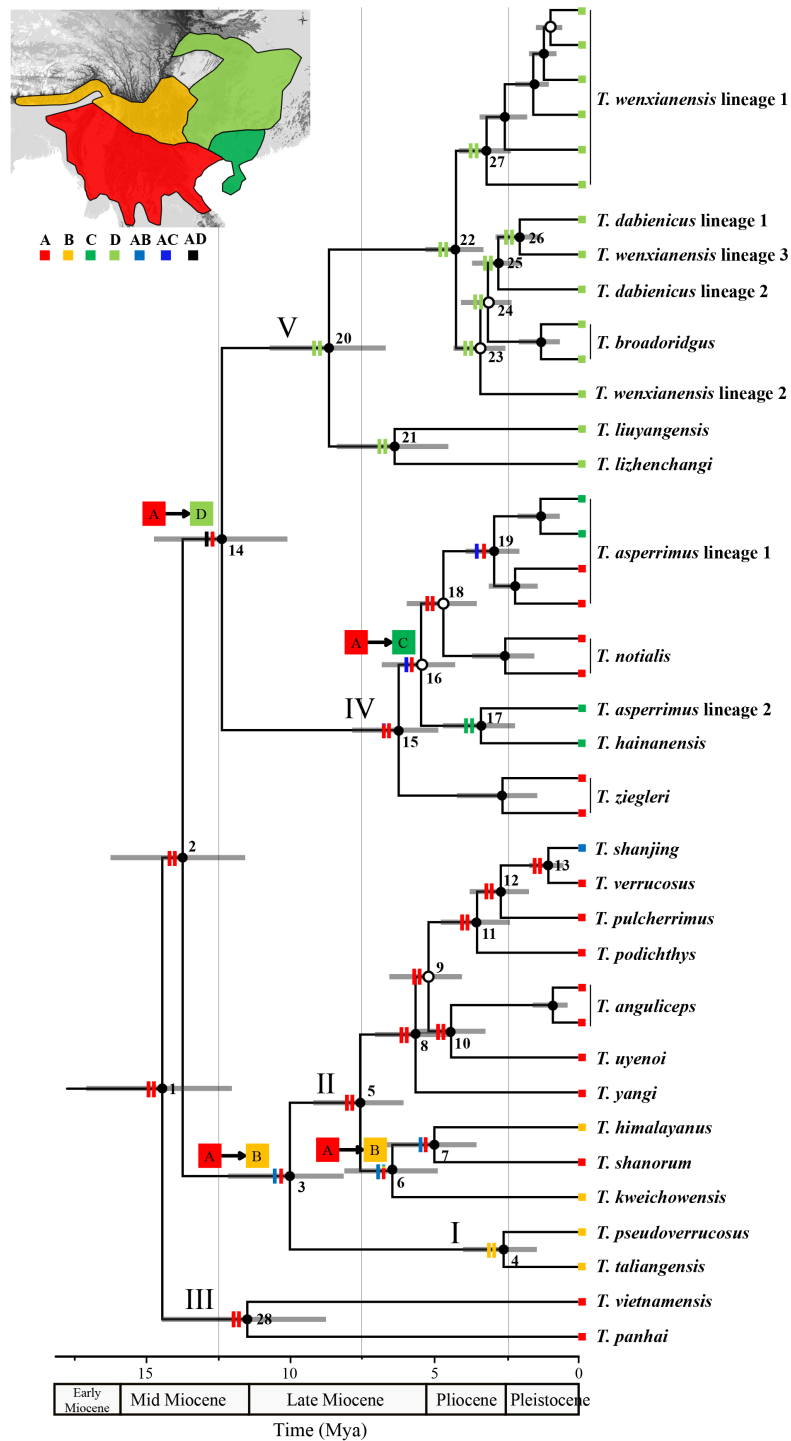


Figure 3 Chronogram and ancestral area reconstructions of *Tylototriton s.l.* This tree was pruned from the final topology-constrained BEAST tree. Grey bars at nodes show 95% highest posterior density intervals of divergence times. Node number was denoted near each node. Black circles, Bayesian posterior probabilities (pp) = 0.95–1.0; open circles, pp < 0.95. (continued on next page...)

Full-size DOI: 10.7717/peerj.4384/fig-3

Figure 3 (...continued)

Clades I V refer to Fig. 1. Two vertical bars on branch showed the relative probabilities of alternative ancestral distributions obtained by the S-DIVA (first bar) and BBM (second bar), and the first two areas with the highest probability are shown on each bar corresponding to relative probability. Four significant dispersals were highlighted near corresponding nodes using arrows linking the originated region to the dispersed region. (*insert*) four regions was denoted as different color: (A) Northern Indochina Peninsula and South Yunnan Province of China; (B) Southwest China mountains and Eastern Himalaya mountains; (C) Coastal areas of Southern China region and Hainan Island; (D) Central China region.

sampling or more than 50% sampling fraction scenarios, the observed data did not depart from random expectations (Fig. S3).

BDL tests based on AIC scores resulted in positive Δ AIC values (3.10868 for 39-GMYC-cluster data, 5.03466 for 23-NS data, and 8.98177 for 27-NSP data) being significantly departed from the null hypothesis of constant rate model (all $P < 0.03$). BDL tests (Table S3; Fig. 5) indicated the yule2rate model as the best-fitting model for the 39-GMYC-cluster data and 27-NSP data, but the DDL model as the best-fitting model for the 23-NS data. Yet the yule2rate was selected as the second fitting model for the 23-NS data, as well as the DDL model was selected as the second fitting model for the 39-GMYC-cluster and 27-NSP datasets. For 39-GMYC-cluster data, the diversification rates have sharply decreased around 1 Mya, but for 27-NSP data and 23-NS data, it was at the beginning of Pleistocene, \sim 2.6 Mya (Table S3).

DISCUSSION

Considerations for uncertainties and cryptic diversity

Our results on the divergence times of the genus *Tylostotriton s.l.* and salamandrid major clades depend on the calibrations that we used for estimating these times (Fig. S2). In this case, previous phylogenetic investigations on Salamandridae using these fossils also proposed broadly consistent timeframes for its major clades (Steinfartz et al., 2007; Zhang et al., 2008; Shen et al., 2016). Also for *Tylostotriton s.l.*, using these fossil calibrations, dating estimates based on complete mitochondrial genome data (Kurabayashi et al., 2012) were largely consistent with our results based on incorporating data of mitochondrial and nuclear genes (Figs. 2 and 3).

Alternatively, because of some methodological flaw, the dating estimations may be argued to be overestimated. For example, actual divergence times were tended to be overestimated by gene trees because a fraction of gene divergence may pre-date the species divergences (Edwards & Beerli, 2000; Arbogast et al., 2002), and meanwhile, dating time may be underestimated by species-tree approaches in some works due to the uncounted presence of gene flow among lineages (McCormack et al., 2010). In our study, divergence times resulted from gene-tree and species-tree approaches did not differ substantially (Figs. 2 and 3). Similar findings were proposed in many animal groups, such as true crocodiles (Oaks, 2011), iguanian lizards (Townsend et al., 2011), and spiders (Bidegaray-Batista, Ferrández & Arnedo, 2014). Certainly, using large number of unlinked nuclear loci may increase the accuracy of species-tree estimations (Heled & Drummond, 2010). In this study, use of only two nuclear genes could be argued as providing not enough information

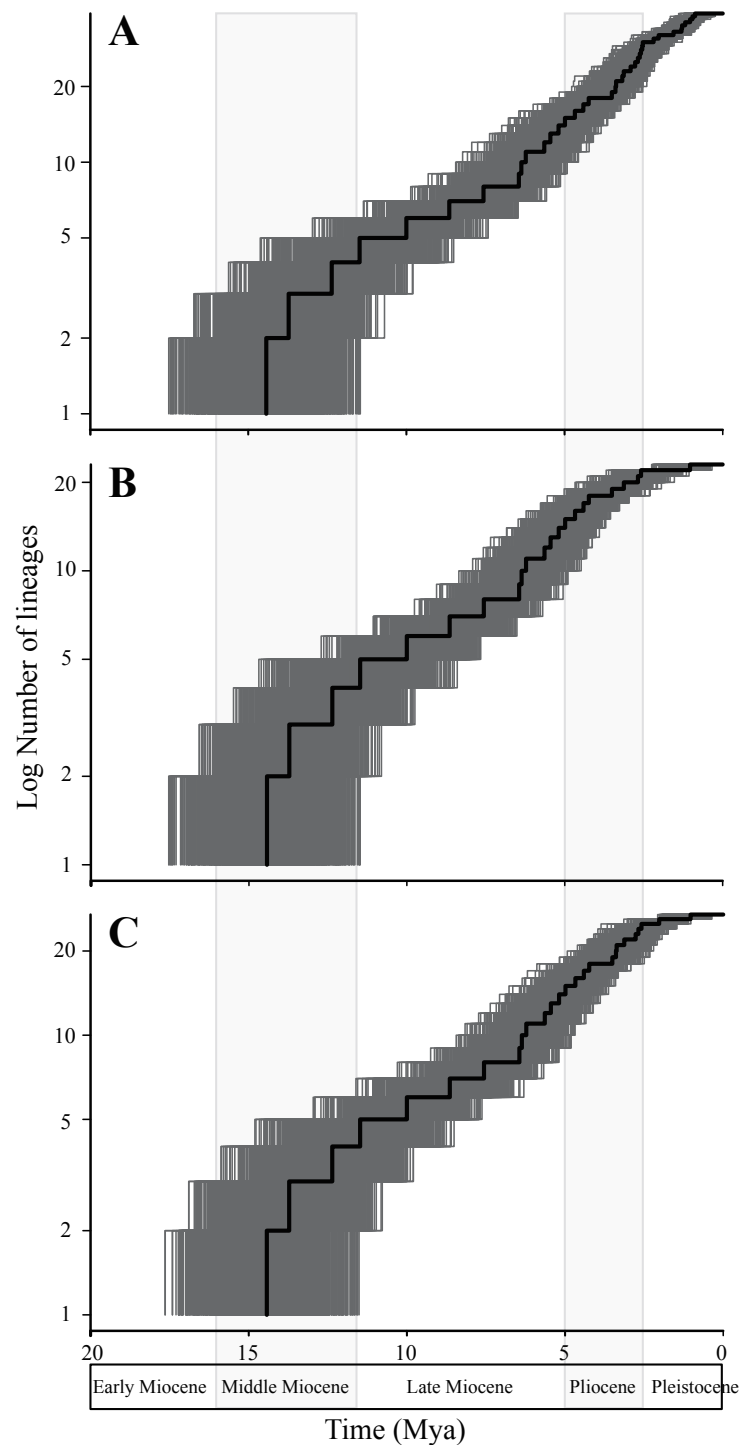


Figure 4 Lineage through time plots based on different lineage delimitating strategies. Different lineage delimitating strategies: (A) 39 statistically inferred coalescent lineages using the Generalized Mixed Yule Coalescent method (GMYC); (B) 23 currently nominal species (NS); and (C) 23 NS plus four independent lineages representing putative cryptic species (NSP). All trees were pruned from the final topology-constrained BEAST analysis. The maximum credibility tree was denoted by a thick black line, and 2,000 random trees from the posterior distribution were denoted by thin grey lines.

Full-size  DOI: [10.7717/peerj.4384/fig-4](https://doi.org/10.7717/peerj.4384/fig-4)

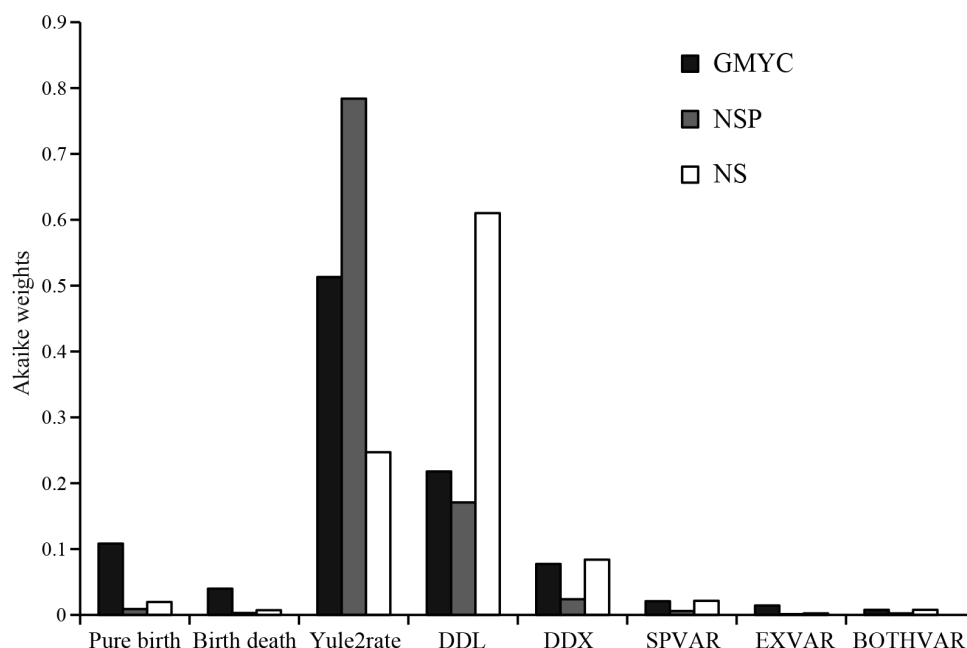


Figure 5 Information theory approach comparing best-fitting diversification rate models. Shown are the Akaike weights of eight diversification rate models (pure birth, birth death, DDL, DDX, yule2rate, SPVAR, EXVAR, and BOTHVAR) and data sets defined by different lineage delimiting strategies: GMYC, 39 statistically inferred coalescent lineages using the Generalized Mixed Yule Coalescent method; NS, 23 currently nominal species; and NSP, 23 NS plus four independent lineages representing putative cryptic species.

Full-size DOI: [10.7717/peerj.4384/fig-5](https://doi.org/10.7717/peerj.4384/fig-5)

to obtain “true” time-tree. But in another sense, a low number of nuclear loci combined with mitochondrial genes has the possibility of similar effects on dating estimations as the use of more nuclear markers (*Sánchez-Gracia & Castresana, 2012*). *Tylototriton s.l.* has likely diversified during a large timescale, i.e., middle Miocene-to-Pleistocene era (*Table 1*), and therefore, major conclusions could be considered broadly.

Testing diversification rate shifts is considered to be sensitive to species delimitation in a phylogeny (*Smith et al., 2013; Renner & Cusimano, 2010*). For the genus *Tylototriton s.l.*, either based on biological species or statistically inferred species, BDL tests selected the rate-slowdown model as the best-fitting diversification model. Moreover, different lineage delimiting strategies likely just impacted the terminal characteristics of lineage accumulation (*Fig. 4*), indicating that our sampling of the “old” clades might be sufficient. This point was verified by the tree-simulation method, which suggested that the simulated data did not depart from the observed data just until under high undersampling scenarios ($\geq 50\%$; see *Fig. S3*). Although species diversity of the genus will presumably increase, the rate-slowdown model is still solidly based. It is expected that speciation time of the foreseeable newly-found species less likely will all fall in the recent Pleistocene period but may well spread over several epochs, just like the time of origin of many recently recognized species (e.g., *T. liuyangensis*, *T. panhai*, *T. zieglerei* and *T. yangi*; *Fig. 3*). Even for the independent lineages that were indicated as putative cryptic species, the dating

estimates also suggested that origin of them generally predated the Pleistocene (Fig. 3). On the other side, if it is assumed that our phylogenetic framework has sampled all substantial species, and then we truncated potential synonyms of several species, such as “*T. shanjing*” sometimes indicated as *T. verrucosus* by phylogeographical investigations (Zhang et al., 2007; Khatiwada et al., 2015) and “*T. dabienicus*” previously classified as “*T. wenzianensis dabienicus*” (Chen, Wang & Tao, 2010), our empirical data will more closely resemble the declining rate model because the time of origin of these “redundant” lineages all fall in Pleistocene (Fig. 3).

Of course, evolution of *Tylototriton s.l.* has also been probably confined by other potential factors, such as density-dependent cladogenesis (Rabosky & Lovette, 2008a). Our diversification analyses selected the DDL model as the best-fitting model for 23-NS data, and selected the model as the second fitting model for 39-GMYC-cluster and 27-NSP data (Fig. 5; Table S3). Density-dependent cladogenesis also usually leads to early burst of diversification in old epochs and rate-slowdown appearances in the recent period (Phillimore & Price, 2008). In the DDL model, speciation slows down often since ecological opportunities and geographical space place limits on clade growth (Phillimore & Price, 2008). In regard of *Tylototriton s.l.*, most species prefer humid habitats in mountain forests, and their populations usually show high local endemism (Li, Zou & Luo, 2011; Fei, Ye & Jiang, 2012), indicating that *Tylototriton s.l.* newts probably have strict ecological selection, and niches of most species were probably narrow and easily filled. Presumably, in the Miocene-to-Pliocene epoch, the genus had slowly radiated in the southeastern Asia and increasing number of species had probably slowly filled the niches, and then in recent era, species biodiversity of the genus has been under niche restrictions leading to less speciation. Also, in the present “colder” epoch rather than in the early Miocene (Böhme, 2003), the newts had a low capacity to persist in new locations, most likely preventing populations from evolving into species.

Additionally, the results would be cautiously interpreted for lack of external information about extinction (Rabosky, 2010). Our results indicated that *Tylototriton s.l.* had occupied a long-term constant diversification rate before Pleistocene (Figs. 4 and 5; Table S3). Generally, “long” branches were not expected in the null model assuming a constant diversification rate in an evolutionary phase (Magallón & Sanderson, 2001). But the phylogenetic tree of *Tylototriton s.l.* had several quite long branches (e.g., *T. vietnamensis* and *T. panhai*), possessing basal evolutionary positions and inhabiting the ancestral region, i.e., the northern Indochina (Fig. 3). In the long branches, the pattern of high extinction rate, lack of speciation events and replacements as a result of species turn-over was difficult to be differentiated by only incorporating contemporary taxa (Magallón & Sanderson, 2001). Unfortunately, as there are no ingroup fossil known to now, even the parameter-rich methods might be less powerful for exploring influences from changes of extinction rates and random events (Rabosky, 2010; Quental & Marshall, 2010).

Radiation of *Tylototriton s.l.* and climatic shifts

Our findings suggested that the genus had originated from the tropical area in NIP-SY, and divergence times between major clades had all fall in the middle-to-late Miocene epochs

(Fig. 3). The extensive dispersals from NIP-SY to north especially the mainland of China during the middle-to-late Miocene (Fig. 3) indicate that *Tylototriton s.l.* newts had adaptive radiations in southeastern Asia. It is presumed that diversification of *Tylototriton s.l.* should be closely related with significant climatic and tectonic transformations in the area, just like the diversification history of amount of numerous organisms which was considered to be modulated by the Tibetan Plateau uplifts and the intensifications of EAMs in the late Tertiary (Favre et al., 2014).

Origin of *Tylototriton s.l.* was dated back to ~15 Mya in the middle Miocene (Fig. 3), when several dramatic climatic transitions had taken place in Asia. Around 16 ~15 Mya, global climate had been marked by the Miocene Climate Optimum (MCO; Böhme, 2003), but from 15 Mya, climate begun deteriorating, especially in Eurasia; this climate transition led to an increase of seasonality and aridity (Eronen et al., 2009; Bruch et al., 2011). At the same time, the central Tibetan Plateau potentially had a main-body uplift (Spicer et al., 2003; Harris, 2006). These incidents enhanced the EAMs that directly led to the warm and humid climate in the South China (Wan et al., 2007). The climatic shifts further led to turnovers of fauna and flora in Asia (e.g., groups in Klaus et al., 2016). Correspondingly, the northward extensive dispersals from NIP-SY to CC in common ancestors of major clades of *Tylototriton s.l.* (Fig. 3) were much likely caused by the prosperity of the suitable subtropical monsoon climates in the mainland.

Evidence from the thermochronology, sedimentology, oceanography, and palaeoclimatology supported a rapid uplift of the Tibetan Plateau during the late Miocene about 10~7 Mya that further enhanced the EAMs (An et al., 2001). Diversification of biodiversity in southeastern Asia was reported to be promoted by these remarkable events (Mao et al., 2010; Sun et al., 2012; Wang et al., 2012a; Wang et al., 2012b; Yu et al., 2014). Likewise, origin of most clades in *Tylototriton s.l.* were also estimated from the late Miocene (Fig. 2), indicating the impact of these historical climatic shifts on diversification of the newt genus.

Radiation of *Tylototriton s.l.* in southeastern Asia could also be shown by the fact that the Miocene-derived clades occupy natural environments distinct from those of the common ancestor of the genus. The common ancestor of *Tylototriton s.l.* and most clades likely shared habitats in the tropical area or near-tropical area in the northern Indochina Peninsula with the putative exceptions of clades I and V (Fig. 3). Clade I, containing two species (i.e., *T. taliangensis* and *T. pseudoverrucosus*; Figs. 1 and 3), is of particular endemism to several sky-island mountains in eastern Hengduan Mountains, where most populations inhabit high plateau (about 2,200–3,300 m; Li, Zou & Luo, 2011; Fei, Ye & Jiang, 2012). Their habitats are generally located in the northern subtropical or even temperate zones (Fei, Ye & Jiang, 2012). Furthermore, most species in clade V occupy the northernmost distribution range (Fig. 1A). In particular, newts in these clades undergo a dormant phase in the longer-term “cold” seasons by hiding themselves in soil caves or underground tree holes. Our results suggest that the evolution of these “specialized” lineages have been triggered the dispersal events from tropical area to the subtropics and/or the temperate zone during the late Miocene. Moreover, these species show very distinct morphological characters (Fei, Ye & Jiang, 2012) and reproductive behavior (such as *T. taliangensis*). All these points support their origin through Miocene radiations to the subtropics and

temperate regions. Of course, reinforcement of the EAMs following the rapid uplifts of the Tibetan Plateau during the late Miocene ([An et al., 2001](#)) already changing biodiversity profiles in the southeastern Asia had certainly contributed to the radiations of these lineages to subtropics and plateau zones.

Anyhow, the empirical data generally support that diversification rates of the genus have decreased at beginning of Pleistocene which seems to reject the Pleistocene speciation hypothesis in this group. The rate-slowdown model was also previously observed in other animal groups, such as reptiles ([Rawlings et al., 2008](#)), birds and mammals ([Weir & Schluter, 2007](#)) and beetles ([McKenna & Farrell, 2006](#)). Numerous studies on amphibians occurring in the southeastern Asia also revealed that interspecific and even intraspecific divergences observed predate the Pleistocene ([Wang et al., 2012a](#); [Wang et al., 2012b](#); [Wang et al., 2013](#)). They supported the hypothesis that speciation of many animal lineages need a relatively long-lasting time at least before the glaciations ([Zink & Slowinski, 1995](#)). On the other hand, it is speculated that the glaciations might promote extinction rates that would slow down the diversification rates ([Zink, Klicka & Barber, 2004](#)). Based on our empirical findings, it is expected to have caused a drastic increase in extinction rates at the beginning, followed by depressed diversification rates due to the smaller areas that remained or became available as the habitat for the newts. As mentioned above, any attempt to estimate or simulate diversification rates from data from extant organisms alone is bound to underestimate both extinction and diversification rates, because whole radiations have gone extinct.

CONCLUSIONS

Our findings provided evidence for the profound influences of historical climate shifts especially associated with the uplift of the Tibetan Plateau on the diversification of animals occurring in the southeastern Asia. The results basically confirmed the reports on plant lineages, such as *Rheum* ([Sun et al., 2012](#)), *Lepisorus* ([Wang et al., 2012a](#); [Wang et al., 2012b](#)), *Juniperus* ([Mao et al., 2010](#)) and *Isodon* ([Yu et al., 2014](#)), and on animal groups, such as *Chiastocheta* Pokorny, 1889 (Anthomyiidae, Diptera, Insecta; [Espíndola, Buerki & Alvarez, 2012](#)) and spiny frogs (Dicroglossidae, Anura, Amphibia; [Che et al., 2010](#)). Yet the present study further supplied some other indications. Primarily, although diversification of the newt group was promoted by the climatic shifts, several factors, for example, niche limits and their intrinsic low dispersal capacity, might have contributed to their Pleistocene rate-slowdown diversification. In addition, this study provided a putative “complete” species tree for *Tylotriton s.l.* to date. The inclusion of many putative cryptic species in the diversification analyses seems to be effective in finding diversification models of the group. But at present, wild populations of *Tylotriton s.l.* show a significant decline due to many reasons, such as climate changes, human capture and habitat deterioration. Further deep investigations of undetected cryptic lineages might supply the basic requirement for disclosing “true” diversification history of the taxa.

ACKNOWLEDGEMENTS

We thank JR Teng, J Wang, TN Vu, TT Nguyen, QK Le, DQ Rao and HJ Gu on helping collection of samples. We are much indebted to the editor and referees for their valuable comments.

ADDITIONAL INFORMATION AND DECLARATIONS

Funding

This study was supported by the following foundations: the Strategic Priority Research Program of the Chinese Academy of Sciences, Grant No. XDPB0202; the National Natural Sciences Foundation of China (NSFC-31201702, 31471964); Biodiversity Conservation Key Laboratory of Guizhou province Education Department, Guiyang College; the Alexander von Humboldt Foundation (VIE 114344); the project from the Ministry of Education of Japan (No. 20770066); the Kyoto University Foundation in 2008; JSPS AA Science Platform program in 2011; Science and technology Innovation Team Project of iupanshui Normal University LPSSYKJTD201602); Joint Science Foundation of Guizhou Province (Qiankehe-J-LKLS[2013]06). The funders had no role in study design, data collection and analysis, decision to publish, or preparation of the manuscript.

Grant Disclosures

The following grant information was disclosed by the authors:

Strategic Priority Research Program of the Chinese Academy of Sciences: XDPB0202.

National Natural Sciences Foundation of China: NSFC-31201702, 31471964.

Biodiversity Conservation Key Laboratory of Guizhou province Education Department, Guiyang College.

Alexander von Humboldt Foundation: VIE 114344.

Ministry of Education of Japan: 20770066.

Kyoto University Foundation in 2008.

JSPS AA Science Platform program in 2011.

Normal University: LPSSYKJTD201602.

Joint Science Foundation of Guizhou Province: Qiankehe-J-LKLS[2013]06.

Competing Interests

The authors declare there are no competing interests.

Author Contributions

- Bin Wang conceived and designed the experiments, performed the experiments, analyzed the data, contributed reagents/materials/analysis tools, prepared figures and/or tables.
- Kanto Nishikawa conceived and designed the experiments, performed the experiments, analyzed the data, contributed reagents/materials/analysis tools, authored or reviewed drafts of the paper.
- Masafumi Matsui conceived and designed the experiments, analyzed the data, contributed reagents/materials/analysis tools, authored or reviewed drafts of the paper.

- Truong Quang Nguyen performed the experiments, analyzed the data, contributed reagents/materials/analysis tools, authored or reviewed drafts of the paper.
- Feng Xie analyzed the data, contributed reagents/materials/analysis tools, prepared figures and/or tables, authored or reviewed drafts of the paper.
- Cheng Li and Janak Raj Khatiwada analyzed the data, contributed reagents/materials/analysis tools, authored or reviewed drafts of the paper.
- Baowei Zhang, Dajie Gong, Yunming Mo, Gang Wei, Xiaohong Chen, Youhui Shen and Daode Yang contributed reagents/materials/analysis tools, authored or reviewed drafts of the paper.
- Rongchuan Xiong analyzed the data, contributed reagents/materials/analysis tools.
- Jianping Jiang conceived and designed the experiments, analyzed the data, prepared figures and/or tables, authored or reviewed drafts of the paper.

Animal Ethics

The following information was supplied relating to ethical approvals (i.e., approving body and any reference numbers):

The Animal Care and Use Committee of Chengdu Institute of Biology, CAS provided full approval for this purely observational research (CIB2010031015).

Field Study Permissions

The following information was supplied relating to field study approvals (i.e., approving body and any reference numbers):

Field experiments were approved by the Management Office of the Kuankuoshui Nature Reserve (number: KKS NR201204002) and the Management Office of the Dabashan Nature Reserve (number: DBS NR201204002).

DNA Deposition

The following information was supplied regarding the deposition of DNA sequences:

[KY800540–KY800628](#), [KT765173](#), [KT765207](#), [KT765208](#), [KY800813–KY800892](#), [KY800629–KY800719](#), [KY800720–KY800812](#).

Data Availability

The following information was supplied regarding data availability:

The raw data has been provided as a [Supplemental File](#).

Supplemental Information

Supplemental information for this article can be found online at <http://dx.doi.org/10.7717/peerj.4384#supplemental-information>.

REFERENCES

- An ZS, Kutzbach JE, Prell WL, Porter SC. 2001. Evolution of Asian monsoons and phased uplift of the Himalaya-Tibetan plateau since Late Miocene times. *Nature* 411:62–66 DOI [10.1038/35075035](https://doi.org/10.1038/35075035).

- Arbogast BS, Edwards SV, Wakeley J, Beerli P, Slowinski JB. 2002.** Estimating divergence times from molecular data on phylogenetic and population genetic timescales. *Annual Review of Ecology and Systematics* **33**:707–740 DOI [10.1146/annurev.ecolsys.33.010802.150500](https://doi.org/10.1146/annurev.ecolsys.33.010802.150500).
- Bidegaray-Batista L, Ferrández MÁ, Arnedo MA. 2014.** Winter is coming: miocene and Quaternary climatic shifts shaped the diversification of Western-Mediterranean *Harpactocrates* (Araneae, Dysderidae) spiders. *Cladistics* **30**:428–446 DOI [10.1111/cla.12054](https://doi.org/10.1111/cla.12054).
- Blount ZD, Borland CZ, Lenski RE. 2008.** Historical contingency and the evolution of a key innovation in an experimental population of *Escherichia coli*. *Proceedings of the National Academy of Sciences of the United States of America* **105**:7899–7906 DOI [10.1073/pnas.0803151105](https://doi.org/10.1073/pnas.0803151105).
- Böhme M. 2003.** The miocene climatic optimum: evidence from ectothermic vertebrates of Central Europe. *Palaeogeography Palaeoclimatology Palaeoecology* **195**:389–401 DOI [10.1016/S0031-0182\(03\)00367-5](https://doi.org/10.1016/S0031-0182(03)00367-5).
- Bouckaert R, Heled J, Kühnert D, Vaughn T, Wu CH, Xie D, Suchard MA, Rambaut A, Drummond AJ. 2014.** BEAST 2: a software platform for Bayesian evolutionary analysis. *PLOS Computational Biology* **10**(4):e1003537 DOI [10.1371/journal.pcbi.1003537](https://doi.org/10.1371/journal.pcbi.1003537).
- Bruch AA, Utescher T, Mosbrugger V, NECLIME members. 2011.** Precipitation patterns in the Miocene of Central Europe and the development of continentality. *Palaeogeography Palaeoclimatology Palaeoecology* **304**:202–211 DOI [10.1016/j.palaeo.2010.10.002](https://doi.org/10.1016/j.palaeo.2010.10.002).
- Castresana J. 2000.** Selection of conserved blocks from multiple alignments for their use in phylogenetic analysis. *Molecular Biology and Evolution* **17**:540–552 DOI [10.1093/oxfordjournals.molbev.a026334](https://doi.org/10.1093/oxfordjournals.molbev.a026334).
- Che J, Zhou WW, Hu JS, Yan F, Papenfuss TJ, Wake DB, Zhang YP. 2010.** Spiny frogs (Paini) illuminate the history of the Himalayan region and Southeast Asia. *Proceedings of the National Academy of Sciences of the United States of America* **107**:13765–13770 DOI [10.1073/pnas.1008415107](https://doi.org/10.1073/pnas.1008415107).
- Chen XH, Wang XW, Tao J. 2010.** A new subspecies of genus *Tylototriton* from China (Caudata: Salamandridae). *Acta Zootaxonomica Sinica* **35**:666–670.
- Coope GR. 2004.** Several million years of stability among insect species because of, or in spite of, Ice Age climatic instability? *Philosophical Transactions of the Royal Society B: Biological Sciences* **359**:209–214.
- Cusimano N, Stadler T, Renner SS. 2012.** A new method for handling missing species in diversification analysis applicable to randomly or nonrandomly sampled phylogenies. *Systematic Biology* **61**:785–792 DOI [10.1093/sysbio/sys031](https://doi.org/10.1093/sysbio/sys031).
- Darriba D, Taboada GL, Doallo R, Posada D. 2012.** jModelTest 2: more models, new heuristics and parallel computing. *Nature Methods* **9**(8):772 DOI [10.1038/nmeth.2109](https://doi.org/10.1038/nmeth.2109).
- Degnan JH, Rosenberg NA. 2009.** Gene tree discordance, phylogenetic inference and the multispecies coalescent. *Trends in Ecology & Evolution* **24**:332–340 DOI [10.1016/j.tree.2009.01.009](https://doi.org/10.1016/j.tree.2009.01.009).

- Ding L, Gan XN, He SP, Zhao EM. 2011.** A phylogeographic, demographic and historical analysis of the short-tailed pit viper (*Gloydus brevicaudus*): evidence for early divergence and late expansion during the Pleistocene. *Molecular Ecology* **20**:1905–1922 DOI [10.1111/j.1365-294X.2011.05060.x](https://doi.org/10.1111/j.1365-294X.2011.05060.x).
- Dubey S, Shine R. 2012.** Are reptile and amphibian species younger in the Northern Hemisphere than in the Southern Hemisphere? *Journal of Evolutionary Biology* **25**:220–226 DOI [10.1111/j.1420-9101.2011.02417.x](https://doi.org/10.1111/j.1420-9101.2011.02417.x).
- Edwards SV, Beerli P. 2000.** Perspective: gene divergence, population divergence, and the variance in coalescence time in phylogeographic studies. *Evolution* **54**:1839–1854 DOI [10.1111/j.0014-3820.2000.tb01231.x](https://doi.org/10.1111/j.0014-3820.2000.tb01231.x).
- Eronen JT, Ataabadi MM, Micheels A, Karme A, Bernor RL, Fortelius M. 2009.** Distribution history and climatic controls of the Late Miocene Pikermian chronofauna. *Proceedings of the National Academy of Sciences of the United States of America* **106**:11867–11871 DOI [10.1073/pnas.0902598106](https://doi.org/10.1073/pnas.0902598106).
- Espíndola A, Buerki S, Alvarez N. 2012.** Ecological and historical drivers of diversification in the fly genus *Chiastocheta* Pokorny. *Molecular Phylogenetics and Evolution* **63**:466–474 DOI [10.1016/j.ympev.2012.01.018](https://doi.org/10.1016/j.ympev.2012.01.018).
- Estes R. 1981.** Gymnophiona, Caudata. *HandBuch Der Paläherpetologie* **2**:1–115.
- Favre A, Packert M, Pauls SU, Jahnig SC, Uhl D, Michalak I, Muellner-Riehl AN. 2014.** The role of the uplift of the Qinghai-Tibetan Plateau for the evolution of Tibetan biotas. *Biological Reviews of the Cambridge Philosophical Society* **90**(1):236–253.
- Fei L, Ye CY, Jiang JP. 2010.** Progress and prospects for studies on Chinese amphibians. *Asian Herpetological Research* **2**:1–22.
- Fei L, Ye CY, Jiang JP. 2012.** *Colored atlas of Chinese amphibians and their distributions*. Chengdu: Sichuan Publishing House of Science and Technology, 1–620.
- Fontaneto D, Herniou EA, Boschetti C, Caprioli M, Melone G, Ricci C, Barraclough TG. 2007.** Independently evolving species in asexual bdelloid rotifers. *PLOS Biology* **5**:e87 DOI [10.1371/journal.pbio.0050087](https://doi.org/10.1371/journal.pbio.0050087).
- Forest F. 2009.** Calibrating the tree of life: fossils, molecules and evolutionary timescales. *Annals of Botany* **104**:789–794 DOI [10.1093/aob/mcp192](https://doi.org/10.1093/aob/mcp192).
- Frost DR. 2016.** Amphibian species of the world: an online reference. *American museum of natural history*. Version 6.0. New York, USA.
- Gu L, Liu Y, Que P, Zhang Z. 2013.** Quaternary climate and environmental changes have shaped genetic differentiation in a Chinese pheasant endemic to the eastern margin of the Qinghai-Tibetan Plateau. *Molecular Phylogenetics and Evolution* **67**:129–139 DOI [10.1016/j.ympev.2012.12.013](https://doi.org/10.1016/j.ympev.2012.12.013).
- Guindon S, Gascuel O. 2003.** A simple, fast, and accurate algorithm to estimate large phylogenies by maximum likelihood. *Systematic Biology* **52**:696–704 DOI [10.1080/10635150390235520](https://doi.org/10.1080/10635150390235520).
- Haffer J. 1969.** Speciation in Amazonian forest birds. *Science* **165**:131–137 DOI [10.1126/science.165.3889.131](https://doi.org/10.1126/science.165.3889.131).

- Harmon LJ, Weir JT, Brock CD, Glor RE, Challenger W. 2008.** GEIGER: investigating evolutionary radiations. *Bioinformatics* **24**:129–131
DOI [10.1093/bioinformatics/btm538](https://doi.org/10.1093/bioinformatics/btm538).
- Harris N. 2006.** The elevation history of the Tibetan Plateau and its implications for the Asian monsoon. *Palaeogeography Palaeoclimatology Palaeoecology* **241**:4–15
DOI [10.1016/j.palaeo.2006.07.009](https://doi.org/10.1016/j.palaeo.2006.07.009).
- Harrison TM, Copeland P, Kidd WS, Yin A. 1992.** Raising tibet. *Science* **255**:1663–1670
DOI [10.1126/science.255.5052.1663](https://doi.org/10.1126/science.255.5052.1663).
- Heled J, Drummond AJ. 2010.** Bayesian inference of species trees from multilocus data. *Molecular Biology and Evolution* **27**:570–580 DOI [10.1093/molbev/msp274](https://doi.org/10.1093/molbev/msp274).
- Herre W. 1935.** Die Schwanzlurche der mitteleocänen (oberlutetischen) Braunkohle des Geiseltales und die Phylogenie der Urodelen unter Einschluss der fossilen Formen. *Zoologica* **33**:1–85.
- Hewitt G. 2000.** The genetic legacy of the Quaternary ice ages. *Nature* **405**:907–913
DOI [10.1038/35016000](https://doi.org/10.1038/35016000).
- Hou M, Li PP, Lu SQ. 2012.** Morphological research development of genus *Tylototriton* and primary confirmation of the status of four cryptic populations. *Journal of Huangshan University* **14**:61–65.
- Katoh K, Misawa K, Kuma K, Miyata T. 2002.** MAFFT: a novel method for rapid multiple sequence alignment based on fast Fourier transform. *Nucleic Acids Research* **30**:3059–3066 DOI [10.1093/nar/gkf436](https://doi.org/10.1093/nar/gkf436).
- Kennedy JD, Weir JT, Hooper DM, Tietze DT, Martens J, Price TD. 2012.** Ecological limits on diversification of the Himalayan core Corvoidea. *Evolution* **66**:2599–2613
DOI [10.1111/j.1558-5646.2012.01618.x](https://doi.org/10.1111/j.1558-5646.2012.01618.x).
- Khatiwada JR, Wang B, Ghimire S, Vasudevan K, Paudel S, Jiang JP. 2015.** A new species of the genus *Tylototriton* (Amphibia: Urodela: Salamandridae) from eastern Himalaya. *Asian Herpetological Research* **6**:245–256.
- Klaus S, Morley RJ, Plath M, Zhang YP, Li JT. 2016.** Biotic interchange between the Indian subcontinent and mainland Asia through time. *Nature Communications* **7**:12132 DOI [10.1038/ncomms12132](https://doi.org/10.1038/ncomms12132).
- Knowles LL. 2001.** Did the pleistocene glaciations promote divergence? Tests of explicit refugial models in montane grasshoppers. *Molecular Ecology* **10**:691–701.
- Knowles LL, Richards CL. 2005.** Importance of genetic drift during Pleistocene divergence as revealed by analyses of genomic variation. *Molecular Ecology* **14**:4023–4032
DOI [10.1111/j.1365-294X.2005.02711.x](https://doi.org/10.1111/j.1365-294X.2005.02711.x).
- Kubatko LS, Degnan JH. 2007.** Inconsistency of phylogenetic estimates from concatenated data under coalescence. *Systematic Biology* **56**:17–24
DOI [10.1080/10635150601146041](https://doi.org/10.1080/10635150601146041).
- Kurabayashi A, Nishitani T, Katsuren S, Oumi S, Sumida M. 2012.** Mitochondrial genomes and divergence times of crocodile newts: inter-islands distribution of *Echinotriton andersoni* and the origin of a unique repetitive sequence found in mt genomes *Tylototriton*. *Genes & Genetic Systems* **87**:39–51 DOI [10.1266/ggs.87.39](https://doi.org/10.1266/ggs.87.39).

- Lanfear R, Calcott B, Ho SY, Guindon S. 2012.** Partitionfinder: combined selection of partitioning schemes and substitution models for phylogenetic analyses. *Molecular Biology and Evolution* **29**:1695–1701 DOI [10.1093/molbev/mss020](https://doi.org/10.1093/molbev/mss020).
- Lemmon AR, Moriarty EC. 2004.** The importance of proper model assumption in Bayesian phylogenetics. *Systematic Biology* **53**:265–277 DOI [10.1080/10635150490423520](https://doi.org/10.1080/10635150490423520).
- Leneveu J, Chichvarkhin A, Wahlberg N. 2009.** Varying rates of diversification in the genus *Melitaea* (Lepidoptera: Nymphalidae) during the past 20 million years. *Biological Journal of the Linnean Society* **97**:346–361 DOI [10.1111/j.1095-8312.2009.01208.x](https://doi.org/10.1111/j.1095-8312.2009.01208.x).
- Li J, Fang X. 1999.** Uplift of the Tibetan Plateau and environmental changes. *Chinese Science Bulletin* **44**:2117–2124 DOI [10.1007/BF03182692](https://doi.org/10.1007/BF03182692).
- Li B, Zou LK, Luo Y. 2011.** The survey of *Tylototriton taliangensis* habitat and its conservation. *Sichuan Journal of Zoology* **30**:964–966.
- Lin AQ, Csorba G, Li LF, Jiang TL, Lu GJ, Thong VD, Soisook P, Sun KP, Feng J. 2014.** Phylogeography of *Hipposideros armiger* (Chiroptera: Hipposideridae) in the oriental region: the contribution of multiple pleistocene glacial refugia and intrinsic factors to contemporary population genetic structure. *Journal of Biogeography* **41**:317–327 DOI [10.1111/jbi.12163](https://doi.org/10.1111/jbi.12163).
- Liu JQ, Wang YJ, Wang AL, Hideaki O, Abbott RJ. 2006.** Radiation and diversification within the *Ligularia-Cremanthodium-Parasenecio* complex (Asteraceae) triggered by uplift of the Qinghai-Tibetan Plateau. *Molecular Phylogenetics and Evolution* **38**:31–49 DOI [10.1016/j.ympev.2005.09.010](https://doi.org/10.1016/j.ympev.2005.09.010).
- Maddison WP. 1997.** Gene trees in species trees. *Systematic Biology* **46**:523–536 DOI [10.1093/sysbio/46.3.523](https://doi.org/10.1093/sysbio/46.3.523).
- Magallón S, Sanderson MJ. 2001.** Absolute diversification rates in angiosperm clades. *Evolution* **55**:1762–1780 DOI [10.1111/j.0014-3820.2001.tb00826.x](https://doi.org/10.1111/j.0014-3820.2001.tb00826.x).
- Mao K, Hao G, Liu J, Adams RP, Milne RI. 2010.** Diversification and biogeography of *Juniperus* (Cupressaceae): variable diversification rates and multiple intercontinental dispersals. *New Phytologist* **188**:254–272 DOI [10.1111/j.1469-8137.2010.03351.x](https://doi.org/10.1111/j.1469-8137.2010.03351.x).
- Martin DP, Lemey P, Lott M, Moulton V, Posada D, Lefevre P. 2010.** RDP3: a flexible and fast computer program for analyzing recombination. *Bioinformatics* **26**:2462–2463 DOI [10.1093/bioinformatics/btq467](https://doi.org/10.1093/bioinformatics/btq467).
- McCormack JE, Heled J, Delaney KS, Peterson AT, Knowles LL. 2010.** Calibrating divergence times on species trees versus gene trees: implications for speciation history of *Aphelocoma jays*. *Evolution* **65**:184–202.
- McGuire JA, Witt CC, Altshule DL, Remsen JV. 2007.** Phylogenetic systematics and biogeography of hummingbirds: bayesian and maximum likelihood analyses of partitioned data and selection of an appropriate partitioning strategy. *Systematic Biology* **56**:837–856 DOI [10.1080/10635150701656360](https://doi.org/10.1080/10635150701656360).
- McKenna DD, Farrell BD. 2006.** Tropical forests are both evolutionary cradles and museums of leaf beetle diversity. *Proceedings of the National Academy of Sciences of the United States of America* **103**:10947–10951 DOI [10.1073/pnas.0602712103](https://doi.org/10.1073/pnas.0602712103).

- Milner A. 2000.** Mesozoic and tertiary Caudata and Albanerpetontidae. *Amphibian Biology* **4**:1412–1444.
- Molnar P, Boos WR, Battisti DS. 2010.** Orographic controls on climate and paleoclimate of Asia: thermal and mechanical roles for the Tibetan Plateau. *Annual Review of Earth and Planetary Sciences* **38**:77–102 DOI [10.1146/annurev-earth-040809-152456](https://doi.org/10.1146/annurev-earth-040809-152456).
- Monaghan MT, Wild R, Elliot M, Fujisawa T, Balke M, Inward DJG, Lees DC, Ranaivosolo R, Eggleton P, Barraclough TG. 2009.** Accelerated species inventory on Madagascar using coalescent-based models of species delineation. *Systematic Biology* **58**:298–311 DOI [10.1093/sysbio/syp027](https://doi.org/10.1093/sysbio/syp027).
- Myers N, Mittermeier RA, Mittermeier CG, Da Fonseca GA, Kent J. 2000.** Biodiversity hotspots for conservation priorities. *Nature* **403**:853–858 DOI [10.1038/35002501](https://doi.org/10.1038/35002501).
- Nishikawa K, Khonsue W, Pomchote P, Matsui M. 2013.** Two new species of *Tylototriton* from Thailand (Amphibia: Urodela: Salamandridae). *Zootaxa* **3737**:261–279 DOI [10.11646/zootaxa.3737.3.5](https://doi.org/10.11646/zootaxa.3737.3.5).
- Nishikawa K, Matsui M, Nguyen TT. 2013.** A new species of *Tylototriton* from northern Vietnam (Amphibia: Urodela: Salamandridae). *Current Herpetology* **32**:34–49 DOI [10.5358/hsj.32.34](https://doi.org/10.5358/hsj.32.34).
- Nishikawa K, Matsui M, Rao DQ. 2014.** A new species of *Tylototriton* (Amphibia: Urodela: Salamandridae) from central Myanmar. *Natural History Bulletin of the Siam Society* **60**:9–22.
- Nishikawa K, Rao DQ, Matsui M, Eto K. 2015.** Taxonomic relationship between *Tylototriton daweshanensis* Zhao, Rao, Liu, Li and Yuan, 2012 and *T. yangi* (Hou, Li & Lu, 2012) (Amphibia: Urodela: Salamandridae). *Current Herpetology* **34**:67–74 DOI [10.5358/hsj.34.67](https://doi.org/10.5358/hsj.34.67).
- Oaks JR. 2011.** A time-calibrated species tree of Crocodylia reveals a recent radiation of the true crocodiles. *Evolution* **65**:3285–3297 DOI [10.1111/j.1558-5646.2011.01373.x](https://doi.org/10.1111/j.1558-5646.2011.01373.x).
- Peng Z, Ho SY, Zhang Y, He S. 2006.** Uplift of the Tibetan plateau: evidence from divergence times of glyptosternoid catfishes. *Molecular Phylogenetics and Evolution* **39**:568–572 DOI [10.1016/j.ympev.2005.10.016](https://doi.org/10.1016/j.ympev.2005.10.016).
- Phillimore AB, Price TD. 2008.** Density-dependent cladogenesis in birds. *PLOS Biology* **6**:e71 DOI [10.1371/journal.pbio.0060071](https://doi.org/10.1371/journal.pbio.0060071).
- Phimmachak S, Aowphol A, Stuart BL. 2015.** Morphological and molecular variation in *Tylototriton* (Caudata: Salamandridae) in Laos, with description of a new species. *Zootaxa* **4006**:285–310 DOI [10.11646/zootaxa.4006.2.3](https://doi.org/10.11646/zootaxa.4006.2.3).
- Pons J, Barraclough T, Gomez-Zurita J, Cardoso A, Duran D, Hazell S, Kamoun S, Sumlin W, Vogler A. 2006.** Sequence-based species delimitation for the DNA taxonomy of undescribed insects. *Systematic Biology* **55**:595–609 DOI [10.1080/10635150600852011](https://doi.org/10.1080/10635150600852011).
- Powell JR. 2012.** Accounting for uncertainty in species delineation during the analysis of environmental DNA sequence data. *Methods in Ecology and Evolution* **3**:1–11 DOI [10.1111/j.2041-210X.2011.00122.x](https://doi.org/10.1111/j.2041-210X.2011.00122.x).
- Quental TB, Marshall CR. 2010.** Diversity dynamics: molecular phylogenies need the fossil record. *Trends in Ecology & Evolution* **25**:434–441 DOI [10.1016/j.tree.2010.05.002](https://doi.org/10.1016/j.tree.2010.05.002).

- R Development Core Team. 2008.** R: a language and environment for statistical computing. *R Foundation for Statistical Computing*. Vienna: Available at <http://www.R-project.org>.
- Rabosky DL. 2006.** LASER: a maximum likelihood toolkit for detecting temporal shifts in diversification rates from molecular phylogenies. *Evolutionary Bioinformatics Online* 2:273–276.
- Rabosky DL. 2010.** Extinction rates should not be estimated from molecular phylogenies. *Evolution* 64:1816–1824 DOI 10.1111/j.1558-5646.2009.00926.x.
- Rabosky DL, Lovette IJ. 2008a.** Density-dependent diversification in North American wood warblers. *Proceedings of the Royal Society B: Biological Sciences* 275:2363–2371 DOI 10.1098/rspb.2008.0630.
- Rabosky DL, Lovette IJ. 2008b.** Explosive evolutionary radiations: decreasing speciation or increasing extinction through time? *Evolution* 62:1866–1875 DOI 10.1111/j.1558-5646.2008.00409.x.
- Rambaut A, Suchard MA, Xie D, Drummond AJ. 2014.** Tracer v1.6. Available at <http://beast.community/tracer>.
- Rawlings LH, Rabosky DL, Donnellan SC, Hutchinson MN. 2008.** Python phylogenetics: inference from morphology and mitochondrial DNA. *Biological Journal of the Linnean Society* 93:603–619 DOI 10.1111/j.1095-8312.2007.00904.x.
- Renner SS, Cusimano N. 2010.** Slowdowns in diversification rates from real phylogenies may not be real. *Systematic Biology* 59:458–464 DOI 10.1093/sysbio/syq032.
- Roček Z. 1996a.** Skull of the neotenic salamandrid amphibian *Triturus alpestris* and abbreviated development in the Tertiary Salamandridae. *Journal of Morphology* 230:187–197 DOI 10.1002/(SICI)1097-4687(199611)230:2<187::AID-JMOR6>3.0.CO;2-E.
- Roček Z. 1996b.** The salamander *Brachycormus noachicus* from the Oligocene of Europe, and the role of neoteny in the evolution of salamanders. *Palaeontology* 39:477–495.
- Ronquist F, Teslenko M, Van der Mark P, Ayres DL, Darling A, Höhna S, Larget B, Liu L, Suchard MA, Huelsenbeck JP. 2012.** MrBayes 3.2: efficient Bayesian phylogenetic inference and model choice across a large model space. *Systematic Biology* 61:539–542 DOI 10.1093/sysbio/sys029.
- Sánchez-Gracia A, Castresana J. 2012.** Impact of deep coalescence on the reliability of species tree inference from different types of DNA markers in mammals. *PLOS ONE* 7:e30239 DOI 10.1371/journal.pone.0030239.
- Shen YH, Jiang JP, Mo XY. 2012.** A new species of the genus *Tylotriton* (Amphibia, Salamandridae) from Hunan, China. *Asiatic Herpetological Research* 3:21–30 DOI 10.3724/SP.J.1245.2012.00021.
- Shen XX, Liang D, Chen MY, Mao RL, Wake DB, Zhang P. 2016.** Enlarged multilocus data set provides surprisingly younger time of origin for the Plethodontidae, the largest family of salamanders. *Systematic Biology* 65:66–81 DOI 10.1093/sysbio/syv061.
- Simmons MP, Ochoterena H, Carr TG. 2001.** Incorporation, relative homoplasy, and effect of gap characters in sequence-based phylogenetic analysis. *Systematic Biology* 50:454–462 DOI 10.1080/10635150120427.

- Smith BT, Ribas CC, Whitney BW, Hernández-Baños BE, Klicka J. 2013.** Identifying biases at different spatial and temporal scales of diversification: a case study using the Neotropical parrotlet genus *Forpus*. *Molecular Ecology* **22**:483–494 DOI [10.1111/mec.12118](https://doi.org/10.1111/mec.12118).
- Spicer RA, Harris NB, Widdowson M, Herman AB, Guo S, Valdes PJ, Wolfe JA, Kelley SP. 2003.** Constant elevation of southern Tibet over the past 15 million years. *Nature* **421**:622–624 DOI [10.1038/nature01356](https://doi.org/10.1038/nature01356).
- Stadler T. 2011.** Simulating trees with a fixed number of extant species. *Systematic Biology* **60**:676–684 DOI [10.1093/sysbio/syr029](https://doi.org/10.1093/sysbio/syr029).
- Stamatakis A. 2014.** RAxML Version 8: a tool for phylogenetic analysis and post-analysis of large phylogenies. *Bioinformatics* **30**:1312–1313 DOI [10.1093/bioinformatics/btu033](https://doi.org/10.1093/bioinformatics/btu033).
- Steinfartz S, Vicario S, Arntzen JW, Caccone A. 2007.** A Bayesian approach on molecules and behavior: reconsidering phylogenetic and evolutionary patterns of the Salamandridae with emphasis on *Triturus* newts. *Journal of Experimental Zoology* **308B**:139–162 DOI [10.1002/jez.b.21119](https://doi.org/10.1002/jez.b.21119).
- Sun X, Wang P. 2005.** How old is the Asian monsoon system?—Palaeobotanical records from China. *Palaeogeography Palaeoclimatology Palaeoecology* **222**:181–222 DOI [10.1016/j.palaeo.2005.03.005](https://doi.org/10.1016/j.palaeo.2005.03.005).
- Sun Y, Wang A, Wan D, Wang Q, Liu J. 2012.** Rapid radiation of *Rheum* (Polygonaceae) and parallel evolution of morphological traits. *Molecular Phylogenetics and Evolution* **63**:150–158 DOI [10.1016/j.ympev.2012.01.002](https://doi.org/10.1016/j.ympev.2012.01.002).
- Tamura K, Glen S, Peterson D, Filipski A, Kumar S. 2013.** MEGA6: molecular evolutionary genetics analysis version 6.0. *Molecular Biology and Evolution* **30**:2725–2729 DOI [10.1093/molbev/mst197](https://doi.org/10.1093/molbev/mst197).
- Thomas JA, Welch JJ, Lanfear R, Bromham L. 2010.** A generation time effect on the rate of molecular evolution in invertebrates. *Molecular Biology and Evolution* **27**:1173–1180 DOI [10.1093/molbev/msq009](https://doi.org/10.1093/molbev/msq009).
- Townsend TM, Mulcahy DG, Noonan BP, Sites JW, Kuczynski CA, Wiens JJ, Reeder TW. 2011.** Phylogeny of iguanian lizards inferred from 29 nuclear loci, and a comparison of concatenated and species-tree approaches for an ancient, rapid radiation. *Molecular Phylogenetics and Evolution* **61**:263–380 DOI [10.1016/j.ympev.2011.07.008](https://doi.org/10.1016/j.ympev.2011.07.008).
- Turkheimer FE, Hinz R, Cunningham VJ. 2003.** On the undecidability among kinetic models: from model selection to model averaging. *Journal of Cerebral Blood Flow & Metabolism* **23**:490–498 DOI [10.1097/01.WCB.0000050065.57184.BB](https://doi.org/10.1097/01.WCB.0000050065.57184.BB).
- Wan S, Li A, Clift PD, Stuu JBW. 2007.** Development of the East Asian monsoon: mineralogical and sedimentologic records in the northern South China Sea since 20 Ma. *Palaeogeography Palaeoclimatology Palaeoecology* **254**:561–582 DOI [10.1016/j.palaeo.2007.07.009](https://doi.org/10.1016/j.palaeo.2007.07.009).
- Wang B, Jiang J, Xie F, Li C. 2012a.** Postglacial colonization of the Qinling Mountains: phylogeography of the swelled vent frog (*Feirana quadranus*). *PLOS ONE* **7**:e41579 DOI [10.1371/journal.pone.0041579](https://doi.org/10.1371/journal.pone.0041579).

- Wang B, Jiang J, Xie F, Li C. 2013.** Phylogeographic patterns of mtDNA variation revealed multiple glacial refugia for the frog species *Feirana taihangnica* endemic to the Qinling Mountains. *Journal of Molecular Evolution* **76**:112–128 DOI [10.1007/s00239-013-9544-5](https://doi.org/10.1007/s00239-013-9544-5).
- Wang L L, Schneider H, Zhang XC, Xiang QP. 2012b.** The rise of the Himalaya enforced the diversification of SE Asian ferns by altering the monsoon regimes. *BMC Plant Biology* **12**:210.
- Weir JT, Schluter D. 2007.** The latitudinal gradient in recent speciation and extinction rates of birds and mammals. *Science* **315**:1574–1576 DOI [10.1126/science.1135590](https://doi.org/10.1126/science.1135590).
- Yang DD, Jiang JP, Shen YH, Fei DB. 2014.** A new species of the genus *Tylototriton* (Urodela: Salamandridae) from northeastern Hunan Province, China. *Asian Herpetological Research* **5**:1–11 DOI [10.3724/SP.J.1245.2014.00001](https://doi.org/10.3724/SP.J.1245.2014.00001).
- Yao YF, Bruch AA, Mosbrugger V, Li CS. 2011.** Quantitative reconstruction of Miocene climate patterns and evolution in Southern China based on plant fossils. *Palaeogeography Palaeoclimatology Palaeoecology* **304**:291–307 DOI [10.1016/j.palaeo.2010.04.012](https://doi.org/10.1016/j.palaeo.2010.04.012).
- Young ND, Healy J. 2003.** GapCoder automates the use of indel characters in phylogenetic analysis. *BMC Bioinformatics* **4**:6 DOI [10.1186/1471-2105-4-6](https://doi.org/10.1186/1471-2105-4-6).
- Yu Y, Harris AJ, He X. 2010.** S-DIVA (Statistical Dispersal-Vicariance Analysis): a tool for inferring biogeographic histories. *Molecular Phylogenetics and Evolution* **56**:848–850 DOI [10.1016/j.ympev.2010.04.011](https://doi.org/10.1016/j.ympev.2010.04.011).
- Yu Y, Harris AJ, He XJ. 2012.** RASP (Reconstruct Ancestral State in Phylogenies) 2.1 beta. Available at <http://mnh.scu.edu.cn/soft/blog/RASP/>.
- Yu XQ, Maki M, Drew BT, Paton AJ, Li HW, Zhao JL, Conran JG, Li J. 2014.** Phylogeny and historical biogeography of *Isodon* (Lamiaceae): rapid radiation in south-west China and Miocene overland dispersal into Africa. *Molecular Phylogenetics and Evolution* **77**:183–194 DOI [10.1016/j.ympev.2014.04.017](https://doi.org/10.1016/j.ympev.2014.04.017).
- Yuan ZY, Jiang K, Lu SQ, Yang JX, Nguyen QT, Nguyen TT, Jin JQ, Che J. 2011.** A phylogeny of the *Tylototriton asperrimus* group (Caudata: Salamandridae) based on a mitochondrial study: suggestions for a taxonomic revision. *Zoological Research* **32**:577–584.
- Zhang DR, Chen MY, Murphy RW, Che J, Pang JF, Hu JS, Luo J, Wu SJ, Ye H, Zhang YP. 2010.** Genealogy and palaeodrainage basins in Yunnan Province: phylogeography of the Yunnan spiny frog, *Nanorana yunnanensis* (Dicroglossidae). *Molecular Ecology* **19**:3406–3420 DOI [10.1111/j.1365-294X.2010.04747.x](https://doi.org/10.1111/j.1365-294X.2010.04747.x).
- Zhang P, Papenfuss TJ, Wake MH, Qu L, Wake DB. 2008.** Phylogeny and biogeography of the family Salamandridae (Amphibia: Caudata) inferred from complete mitochondrial genomes. *Molecular Phylogenetics and Evolution* **49**:586–597 DOI [10.1016/j.ympev.2008.08.020](https://doi.org/10.1016/j.ympev.2008.08.020).
- Zhang MW, Rao DQ, Yu GH, Yang JXT. 2007.** The validity of red knobby newt (*Tylototriton shanjing*) species status based on mitochondrial cytb gene. *Zoological Research* **28**:430–436.

- Zhao YT, Rao DQ, Liu N, Li B, Yuan SQ. 2012.** Molecular phylogeny analysis of *Tylototriton verrucosus* group and description of new species. *Journal of West China Forestry Science* **41**:86–89.
- Zink RM, Klicka J. 2006.** The tempo of avian diversification: a comment on Johnson and Cicero. *Evolution* **60**:411–414 DOI [10.1111/j.0014-3820.2006.tb01118.x](https://doi.org/10.1111/j.0014-3820.2006.tb01118.x).
- Zink RM, Klicka J, Barber BR. 2004.** The tempo of avian diversification during the Quaternary. *Philosophical Transactions of the Royal Society B: Biological Sciences* **359**:215–220 DOI [10.1098/rstb.2003.1392](https://doi.org/10.1098/rstb.2003.1392).
- Zink RM, Slowinski JB. 1995.** Evidence from molecular systematics for decreased avian diversification in the pleistocene Epoch. *Proceedings of the National Academy of Sciences of the United States of America* **92**:5832–5835 DOI [10.1073/pnas.92.13.5832](https://doi.org/10.1073/pnas.92.13.5832).