

Neurophotonics

Neurophotonics.SPIEDigitalLibrary.org

Assessing low-frequency oscillations in cerebrovascular diseases and related conditions with near-infrared spectroscopy: a plausible method for evaluating cerebral autoregulation?

Adam Vittrup Andersen
Sofie Amalie Simonsen
Henrik Winther Schytz
Helle Klingenberg Iversen

Assessing low-frequency oscillations in cerebrovascular diseases and related conditions with near-infrared spectroscopy: a plausible method for evaluating cerebral autoregulation?

Adam Vittrup Andersen,^{a,b,*} Sofie Amalie Simonsen,^{a,b} Henrik Winther Schydtz,^{a,b} and Helle Klingenberg Iversen^{a,b}

^aRigshospitalet, Department of Neurology, Glostrup, Denmark

^bUniversity of Copenhagen, Department of Clinical Medicine, Copenhagen, Denmark

Abstract

Background: Cerebral autoregulation (CA) is the brain's ability to always maintain an adequate and relatively constant blood supply, which is often impaired in cerebrovascular diseases. Near-infrared spectroscopy (NIRS) examines oxygenated hemoglobin (OxyHb) in the cerebral cortex. Low- and very low-frequency oscillations (LFOs \approx 0.1 Hz and VLFOs \approx 0.05 to 0.01 Hz) in OxyHb have been proposed to reflect CA.

Aim: To systematically review published results on OxyHb LFOs and VLFOs in cerebrovascular diseases and related conditions measured with NIRS.

Approach: A systematic search was performed in the MEDLINE database, which generated 36 studies relevant for inclusion.

Results: Healthy people have relatively stable LFOs. LFO amplitude seems to reflect myogenic CA being decreased by vasomotor paralysis in stroke, by smooth muscle damage or as compensatory action in other conditions but can also be influenced by the sympathetic tone. VLFO amplitude is believed to reflect neurogenic and metabolic CA and is lower in stroke, atherosclerosis, and with aging. Both LFO and VLFO synchronizations appear disturbed in stroke, while the former is also altered in internal carotid stenosis and hypertension.

Conclusion: We conclude that amplitudes of LFOs and VLFOs are relatively robust measures for evaluating mechanisms of CA and synchronization analyses can show temporal disruption of CA. Further research and more coherent methodologies are needed.

© The Authors. Published by SPIE under a Creative Commons Attribution 3.0 Unported License. Distribution or reproduction of this work in whole or in part requires full attribution of the original publication, including its DOI. [DOI: 10.1117/1.NPh.5.3.030901]

Keywords: cerebral autoregulation; near-infrared spectroscopy; low-frequency oscillations; cerebrovascular diseases; risk of stroke.

Paper 18027VR received May 16, 2018; accepted for publication Aug. 2, 2018; published online Sep. 18, 2018.

1 Introduction

Cerebral autoregulation (CA) of cerebral blood flow (CBF) is the process in which the cerebral vasculature maintains a relatively constant blood flow despite changes in perfusion pressure.¹ CA is impaired in several neurological diseases.² The mechanisms and methods of investigating the CA have been a subject of research and discussion ever since CA as a concept was conceived.³ Both large arteries and small arterioles contribute significantly to vascular resistance in the brain and studies have shown that the large extracranial vessels (internal carotid and vertebral) and intracranial pial vessels contribute to around 50% of cerebral vascular resistance (CVR).⁴ In recent years, some of the most frequently used methods in studying CA in humans have been transcranial Doppler (TCD) and near-infrared spectroscopy (NIRS). TCD assesses blood velocity in major cerebral vessels, whereas NIRS detects cerebral cortical hemoglobin oxygenation and thereby changes in microcirculatory blood volume and flow. Both techniques can examine low-frequent hemodynamic parameters with high temporal

resolution, but NIRS offers distinct advantages in being easy to apply, operator-independent and directly measuring hemodynamics in the cortical region of interest.

The aim here was to systematically review studies on low-frequency oscillations (LFOs) and very low-frequency oscillations (VLFOs) measured by NIRS in cerebrovascular diseases and related conditions to assess CA.

2 Background

2.1 Cerebral Autoregulation

The CA ensures that CBF is maintained at a relatively constant level within large variations of arterial blood pressure (ABP) and thus the cerebral perfusion pressure (CPP)¹ (Fig. 1):

$$CBF = \frac{CPP}{CVR} = \frac{ABP - \text{intracranial pressure}}{CVR}. \quad (1)$$

This serves as a protective measure against ischemia and failure could possibly result in pallor, sweating, confusion, dizziness, or syncope.^{7,8} In acute brain injury, where the tissue is particularly sensitive, hypoperfusion can lead to progression of the damages due to impaired CA^{7,8} and several neurologic

*Address all correspondence to: Adam Vittrup Andersen, E-mail: adam.vittrup.andersen.01@regionh.dk

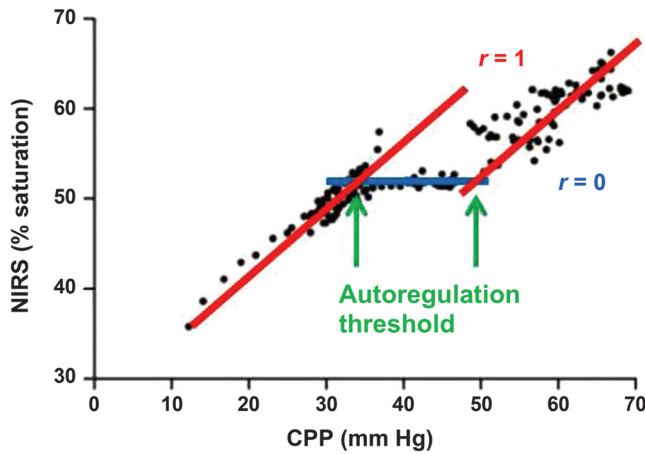


Fig. 1 Near-infrared spectroscopy (NIRS)-derived oxygen saturation versus cerebral perfusion pressure (CPP), depicting the cerebral autoregulation curve. With permission from Moerman et al.⁵ under Creative Commons Attribution License. Original data from Brady et al.⁶

disorders do exhibit impaired or changed CA.² In the opposite end of the arterial blood pressure (ABP) spectrum, CA also protects against chronic hypertension and hypertensive encephalopathy.^{9,10}

Several factors influence CA. The myogenic mechanism is a direct effect in smooth muscle due to changes in transmural pressure mostly active in the small vessels of the brain.^{1,11–13} The endothelium has a prominent role by the release of dilatory and constrictory substances in addition to the direct mechanical response.^{1,13,14} Though no one single chemical agent has yet been identified, a metabolic response is observed with neuronal activation in local or global areas.^{1,11,13,15,16} Autonomic nerve fibers richly innervate the cerebral vessels, especially the larger arteries and activation of the sympathetic nervous system (SNS) pushes the limits of the autoregulation plateau up higher and vice versa.^{1,11,13,17,18} The level of the partial pressure of carbon dioxide in arterial blood (PaCO₂) also modifies CA considerably.^{1,19} Hypercapnia increases CBF by vasodilation, which also narrows the autoregulatory plateau with changes of both the upper and lower CA limit. Hypocapnia decreases CBF by vasoconstriction, but does not affect the lower limit of CA, while uncertainty remains concerning the upper limit. Furthermore, other physiological systems such as the renin-angiotensin-aldosterone system and pharmacologic substances can modify the complex nature of CA. The distribution of resistance within the microvasculature is a contentious area of research and especially the role of pericytes and capillary resistance.^{20,21}

The research on CA has developed in two main fields. Static CA is the determination of the autoregulatory limits of ABP under different relatively steady circumstances. Dynamic CA includes investigations in both spontaneous physiological fluctuations in ABP and CBF, but also the CBF response to sudden changes in ABP, e.g., when changing body position or following deflation of a cuff in order to quickly pool or release blood from one or more extremities. The analysis of low-LFOs is a part of dynamic CA, which we will be reviewing in the following.

2.2 Mayer Waves and Low-Frequency Oscillations

Mayer waves (M-waves) is a phenomenon of slow spontaneous ABP oscillations observed in 1876 by Mayer in rabbits.²² Slower than ABP oscillations of cardiac (≈ 1 Hz) and respiratory

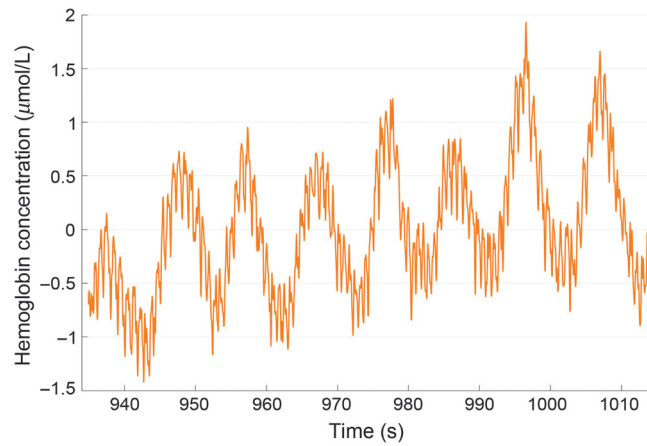


Fig. 2 OxyHb oscillations at cardiac frequency (1 Hz) and at M-wave frequency (0.1 Hz) enhanced with deep breathing at 0.1 Hz. Unpublished data from healthy elderly woman.

rhythms (≈ 0.2 to 0.5 Hz), these M-waves has different frequencies across species, but about 0.1 Hz when observed in humans (Fig. 2). M-waves are most often termed LFOs. The oscillations in this frequency are believed to reflect sympathetic nervous activity (SNA) as they are enhanced with activation of the SNS and SNA have, therefore, often been attached to the definition of LFOs.²³ Their origin is thought to be the vasomotor tone of blood vessels synchronous throughout the body,^{23,24} but the driving mechanism behind the rhythmicity of the oscillations has not yet been fully established.

2.2.1 Pacemaker theory and baroreceptor reflex theory

The pacemaker theory, primarily based on animal studies, suggests that the central nervous system contains a pacemaker that is responsible for the rhythmicity of LFOs.²³ Studies have shown slow SNA and ABP rhythms in the LFO frequency despite the lack of sensory inputs from peripheral structures in animals that have undergone surgical and/or medical denervation.^{25–28} In tetraplegic humans with traumatic spinal cord lesions, the results have been conflicting.^{29–31} While one study showed consistent LFOs,³¹ other studies failed to detect LFOs in some²⁹ or all subjects³⁰ perhaps due to different levels of the spinal lesions or differences in tetraplegia durations as one study proved significantly increased LFOs 6 months after the initial examination.²⁹

The baroreflex theory originates from the work of Guyton and Harris.³² The contribution of the baroreceptor reflex to the genesis of LFOs has since been confirmed in numerous studies of animals undergone surgical sinoaortic baroreceptor denervation^{33–35} showing either strong attenuation or abolishment of LFOs. Deactivation of the baroreceptor reflex with alpha-adreno blockers shows a similar trend in animals^{36–38} and humans.^{39,40} These studies support that the LFOs are caused by vasomotor tone, because alpha-adrenergic antagonists block the sympathetic effect on vasomotion.⁴¹

2.2.2 Amplitude

There are only a limited amount of studies focusing on the amplitude of the LFOs. In animal studies the amplitude follows the mean level of SNA when subjected to stimulations altering the sympathetic tone.^{42–45} Human studies show the same

tendency^{46–50} though only in individuals and not across groups with different SNA levels⁵¹ perhaps due to age differences in the vasculature and regulation thereof. The reproducibility of LFO amplitudes is high over short-term, but low over long-term,⁵² though this could be influenced by several factors including overall stress level.⁴⁹ It has been suggested that the LFO amplitudes indicates reflectory local myogenic activity⁵³ in the terminal arteriole smooth muscle cells,⁵⁴ and is influenced by sympathetic control mechanisms.⁵⁵ It is thought that the local myogenic response deals with small changes in systemic pressure changes, while the SNS responds to larger changes,⁵⁶ but the exact relationship remains uncertain.

2.3 Very Low-Frequency Oscillations

Oscillations at an even lower frequency have been observed in a range distinctly below LFOs (0.05 to 0.01 Hz). Originally observed in intracranial pressure by Lundberg,⁵⁷ these oscillations were also seen in ABP and velocity of the medial cerebral artery (V_{MCA})^{58,59} and termed VLFOs. The oscillations in these different parameters have been shown to be connected and several autoregulatory mechanisms have been proposed to explain this connection.^{60–64}

The origin of VLFOs is thought to be generated from a central pacemaker because of the relation between different oscillating parameters mentioned above, but also because of the interhemispheric synchronicity.^{59,65–68} Rhythmic changes in breathing and thereby changes in $PaCO_2$ have also been shown to attribute to VLFOs as they occur at about the same frequency (≈ 0.03 Hz) and correlates well with blood-oxygenation-level-dependent (BOLD) signals for CBF both under steady state^{69,70} and with neural activity.⁷¹ CPP values are described to have influence on the amplitude and frequency of VLFOs,⁷² while they remain relatively independent of changes in ABP. Intaglietta et al.⁵⁴ proposed that they stem from large arterioles under neurogenic innervation⁷³ and thus sympathetic control.⁷⁴ In some cases, the VLFOs are divided into two frequency ranges and Stefanovska et al.⁵³ showed that while the upper VLFO range is endothelial independent and probably relies on the neurogenic activity in large arteries, the lower VLFO range is endothelial-related, and

therefore, connected to metabolic changes in the microvessels (Table 1).

2.4 Physiological Function of Oscillations

The physiological purpose of the oscillations low in the frequency spectrum remains intangible. Theories of cyclic nitric oxide (NO) release from the endothelium beneficial to organ function⁷⁵ and a possible nutritive function⁷⁶ from animal studies have not been confirmed. The possibility remains that the oscillations are an observed epiphenomenon with no functional purpose.⁷⁷

2.5 LFOs and VLFOs in Evaluating Cerebral Autoregulation

Similarities in existing knowledge of CA and origins of LFOs and VLFOs indicate an association. Giller originally proposed the method of coherence analysis between systemic and cerebral perfusion oscillations in the low-frequency spectrum to evaluate dynamic CA as the oscillations would be altered with intact CA and relatively unaltered with impaired CA.⁶⁰ Diehl et al.⁷⁸ contrived the model of dynamic CA being a biologic control system working as a high-pass filter transmitting high-frequent ABP-oscillation unfiltered to CBF, while LFOs are filtered and only passed through to CBF partially. Considering this, measures of gain and phase shift were suggested to quantify this transmission and thus CA.

Katura et al.⁷⁹ demonstrated that while a substantial amount of the cerebral vessel LFOs can be attributed to systemic LFOs, more than half cannot, indicating that the origin of cerebral LFO may lie in the autoregulation of CBF rather than systemic cardiovascular regulation.

While the high-pass filter model is not perfect, it does imply two important features of LFOs that correlate with CA: the amplitude and the synchronization. Especially, the latter has been analyzed in different ways as healthy people exhibit highly synchronized oscillations as an expression of well-functioning central origin mechanisms and thereby intact CA. Feasibly, the amplitude on the other hand could in part be ascribed to the magnitude of autoregulatory mechanisms.

Table 1 Physiological ABP oscillations.

Oscillation	Frequency (Hz)	Factors considered to determine amplitude
Cardiac	≈ 1	Heart pumping
Respiratory	≈ 0.25	Respiration changing intrathoracic pressure
LFOs	≈ 0.1	Local myogenic activity in terminal arteriole Influenced by sympathetic tone and control mechanisms
Upper VLFOs	≈ 0.05	Neurogenic SNS activity in large arteries Spontaneous modulation of respiration frequency changing $PaCO_2$ level Independent of endothelium
Bottom VLFOs	≈ 0.01	Metabolic activity in microvessels Dependent on endothelium

2.6 Investigating Cerebral Low-Frequency Oscillations

Spontaneous LFOs in cerebral vessels can be examined through methods such as ultrasonic TCD⁶⁰ and NIRS,⁸⁰ but they can also be accentuated by stimulations of the same frequency.^{78,80}

Both methods are equipped to examine the cerebral blood circulation over time with high temporal resolution and can be applied under various conditions and stimulations that cannot be examined by more confined imaging modalities such as BOLD-magnetic resonance imaging (MRI). While TCD estimates the velocity in larger cerebral arteries such as the MCA, NIRS investigates the cerebral tissue including all vascular compartments though quantitatively reflecting the microvasculature.⁸¹ The TCD method has dominated the CA research over NIRS, despite TCD being challenged with certain assumptions and limitations. To assess CBF from measurements of V_{MCA} , it is assumed that the large arteries have a constant diameter while studies have shown that the opposite is the case.^{82,83} Additionally, 5% to 20% of the population cannot be assessed properly due to a poor acoustic window.⁸⁴ Although NIRS has other limitations and assumptions, at least the method offers a direct measure of local CBF.

The method is simple to understand in general.⁸¹ Infrared light of certain wavelengths between 650 and 950 nm is passed from the skin through the extracranial layers and the cortex of the brain. The light passes through human tissue being absorbed by water, fat, melanin, and both oxygenated (OxyHb) and deoxygenated hemoglobin (DeoxyHb). On the skin, adjacent to the light source, detectors are that pick up the infrared signal emanating from the body. Since the levels of water, fat, and melanin remain constant, the signal can then be calculated into dynamic OxyHb and DeoxyHb concentrations by a modified version of the Beer–Lamberts law. To filter the extracranial signals from the intracranial signals, researchers often use multiple light detectors with different distances from the light source and separate the signals from each other to get the purest intracranial signal possible⁸⁵ (Fig. 3).

In the current study, we will address the NIRS modality called continuous wave, which is not appropriate to calculate an exact hemoglobin concentration as this comes with certain assumptions. Rather, the signal is used to follow the dynamics

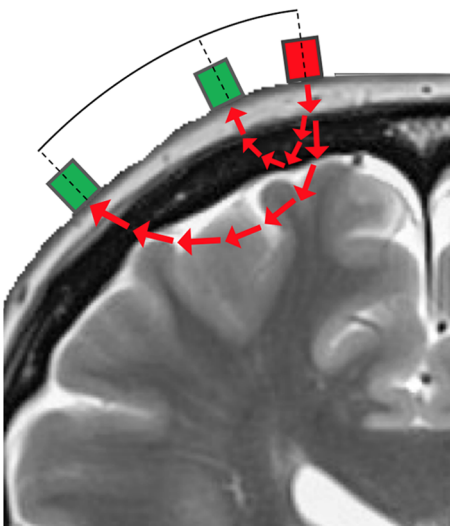


Fig. 3 NIRS with short separation.

of the hemoglobin concentration and thereby the CBF in the illuminated portion of the cortex. NIRS cannot be used to examine deeper parts of the brain.⁸⁶

2.7 Data Analysis

Spectral analysis is needed to convert the raw NIRS signal into oscillation parameters in the frequency domain. Only linear models will be considered here, though nonlinear models have shown comparable results.⁸⁷ There are two common ways of doing the spectral analysis of the NIRS signals: the Fourier transform and the wavelet transform.

Time-domain analyses such as cerebral oximetry (Cox) index,⁶ mean velocity (Mx) index,⁸⁸ and tissue oxygenation (Tox) index⁸⁹ will not be discussed in this paper as these analyses differ too greatly from frequency-domain analysis to be compared directly, despite being correlated to a certain degree.⁹⁰

2.7.1 Fourier transform

The Fourier transform is commonly used to decompose a function of time, i.e., the NIRS signal, into a frequency domain. There are many different variations of the Fourier transform. We will address a couple of them here, but will not be discussing them further in this paper. One of the variations can transform the NIRS signals in the time domain, but this will not account for specific frequency intervals, and therefore, is not suitable for analyzing LFOs and VLFOs. The frequency domain analysis generates certain frequency intervals, in which the oscillations occur and the amplitudes of the oscillations in these frequency intervals. A variation of this that is often used is called the fast Fourier transform. It generates a measure called power spectral density (PSD), which is the amplitude within a given signal in relation to the frequency of the signal. The PSD and the amplitude do not, however, say anything about the synchronicity of the oscillations.

2.7.2 Transfer function analysis

The transfer function analysis (TFA) based on the Fourier transform is used to detect synchronization of LFOs and VFLOs and the method has been passed on from the TCD research paradigm.^{60,78,91} It is a black box input–output analysis, generating ratios of the input signal that is transferred to the output signal. In this context, the input can either be the ABP, mean arterial pressure, or V_{MCA} , and the output being the NIRS signals. The analysis produces two certain measures, gain and phase shift. The gain is the amplitude of the input oscillations relative to the amplitude of the output NIRS oscillations. Equal amplitudes would, therefore, generate a gain of 1. The phase shift (or phase angle) is a measure of synchronization and if the oscillations occur at the exact same time the phase shift would be 0 deg. If phase shift is negative, the input oscillations occur before the output oscillations and vice versa, while a counterphase relationship would generate a phase shift of 180 deg.

The input in a TFA can also be the NIRS signal of a healthy hemisphere, which might serve as the best comparison if the individual subjects have a healthy hemisphere.

2.7.3 Wavelet transform

The wavelet transform differs from the Fourier in that it transforms data into a time-frequency domain, whereas Fourier can only transform data into either frequency or time domain one

at a time. This gives the transform some slight mathematical benefits and some other possibilities. The downside is a trade-off between spectral and temporal resolution. The wavelet transform can, therefore, generate the amplitude of examined oscillations, but also an instantaneous phase.⁹²

In the NIRS oscillation research, the most commonly used concepts are wavelet coherence (WCO) and wavelet phase coherence (WPCO). WCO is a coherence determination of both the amplitude and the relative phase shift at once. The WCO is difficult to understand in the context of LFOs and VLFOs as it is hard to dissociate the importance the amplitude and the phase shift to the WCO. Instead, WPCO determines how constant the phase difference is between two signals in a certain frequency range. A WPCO of 1 means that the phase difference between two oscillations constant over the entire time series, whereas a WPCO of 0 would only be generated from two totally independent oscillating signals.

Amplitude and phase of Fourier and wavelet transform can be compared without conversion unlike synchronization analysis (phase shift and WPCO).⁹³ To our knowledge, the only studies using the two methods on the same group of patients are conducted by Tachtsidis et al.²⁴ and Rowley et al.⁵⁵ showing similar trends in PSD, while it is difficult to assess it quantitatively from the publicized results. Other methods are described thoroughly and compared in an excellent review by Thewissen et al.⁹⁴ regarding NIRS investigations of CA in neonates.

3 Methods

3.1 Search Strategy

A systematic search of literature was conducted in MEDLINE database through May 1, 2018. The search strategy was a combination of the NIRS and oscillations concepts. Broad terms were used to minimize the risk of missing any articles. The full search strategy is depicted in Table 2.

The search resulted in 176 potentially relevant articles. In addition, the identified articles' reference lists were reviewed to detect any relevant missing articles. This search resulted in two additional articles. All 178 potentially relevant articles were screened for relevance according to the following criteria.

3.2 Inclusion and Exclusion Criteria

To be included, studies had to use NIRS to examine cerebral LFOs or VLFOs with frequency domain analysis in cerebrovascular diseases or related conditions preceding them including aging. Studies of healthy populations were also included as an indicator of normal variations, though articles focusing on technical or analytical aspects were excluded. Traumatic brain injury patients and intraoperative monitoring were excluded. Only original peer-reviewed studies presenting own results were included leading to the exclusion of reviews. The process is depicted in Fig. 4.

4 Results and Discussion

Thirty-six studies were included and reviewed. Studies were divided into four categories based on study population: healthy subjects, cerebral diseases with structural brain damage, symptomatic cerebrovascular disease with increased risk of further cerebrovascular damage, and asymptomatic populations with increased risk of cerebrovascular disease. Some studies overlapped these categories.

In the following, only OxyHb data will be included in the discussion. The DeoxyHb data conceivably have interesting findings, especially in functional activation studies and when comparing to BOLD-MRI measurements. However, the observed DeoxyHb-changes are mainly a reflection of the venous compartments, whereas OxyHb represents all vascular compartments.⁹⁵ Additionally, the dynamic changes in OxyHb are closer related to the vascular compartments where CA is most active,^{6,96} and the OxyHb signals are more robust and

Table 2 Search strategy.

AND				
NIRS concept	Oscillations concept		Filters	
"Spectroscopy, NIR" [MeSH]	Oscillation(s)	OR	Fourier	Humans [MeSH terms]
OR	OR		OR	AND
NIRS	Fluctuation(s)		Wavelet	Adults [MeSH terms]
OR	OR		OR	AND
"NIR spectroscopy"	"M-wave(s)"		"Transfer function"	English language [MeSH terms]
OR	OR		OR	
"Cerebral oximetry"	M-wave(s)		Transform	
OR	OR		AND	
"Cerebral oxygenation"	Vasomotion		Amplitude(s)	
OR	OR		OR	
"Cerebral oxygen saturation"	LFO(s)		Gain	
	OR		OR	
	VLFO(s)		"PSD"	
			OR	
			PSD	
			OR	
			Phase(s)	
			OR	
			Phase shift	
			OR	
			WPCO	

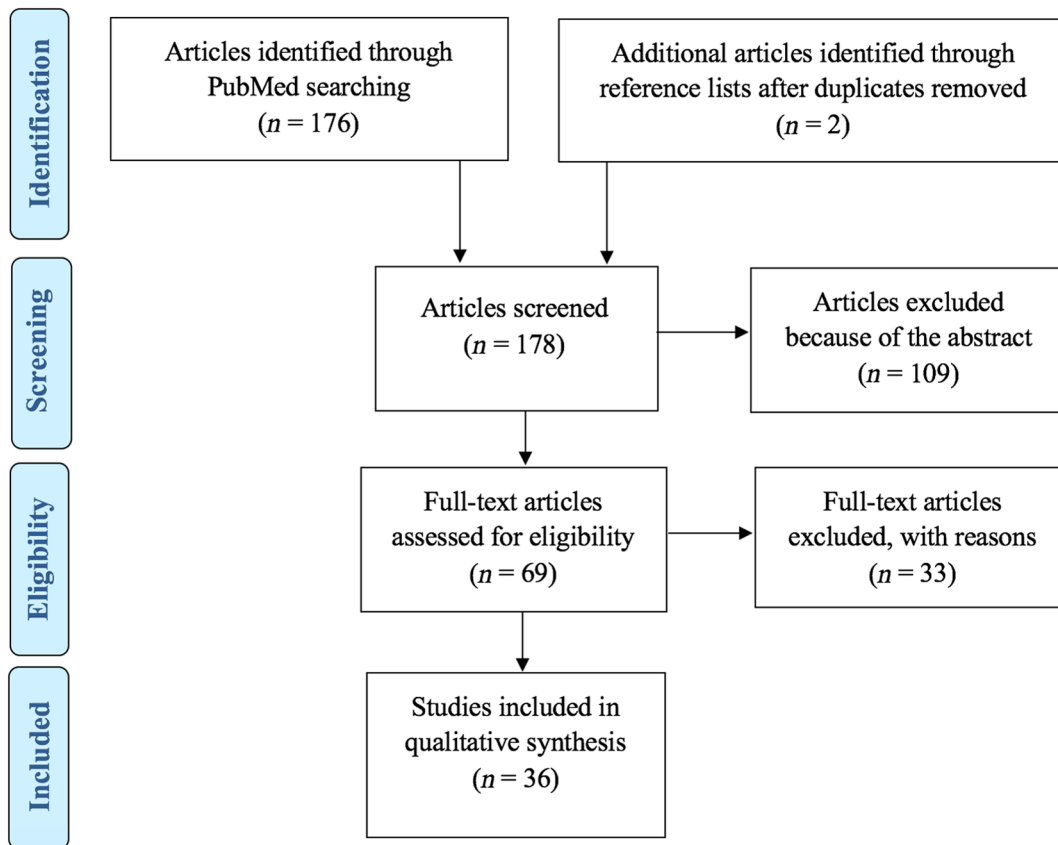


Fig. 4 PRISMA flow diagram.

also more reliable in the topical frequency spectrum⁹⁷ making it the most suitable for evaluating CA. The transform parameters have been discussed previously.

Due to the heterogeneity of technical and analytical methods, no quantitative measures are listed in this section. Rather, results are presented as comparative measures as all studies in this area of research use some sort of control group. Most studies had a healthy control group, while others compared different stages of a disease or one hemisphere to the contralateral.

4.1 Healthy Subjects

In a seminal study, Reinhard et al.⁹⁸ measured LFOs in ABP, V_{MCA} and OxyHb in a healthy elderly population. The V_{MCA} LFOs preceded the ABP LFOs, which were again slightly ahead of OxyHb LFOs. All LFOs were highly correlated with each other and so the phase shifts merely represent a temporal lag between which vessels the oscillations are measured from Fig. 5. This finding was later confirmed in healthy young people by Philip et al.,⁹⁹ who additionally showed equal phase shifts across gender, between left and right hemispheres, and over time. Neither visual,⁸⁰ respiratory,^{99,100} motoric,¹⁰¹ nor positional stimulations²⁴ have caused any significant changes in the synchronization of LFOs. However, desynchronization has been shown with poor sleep quality in healthy elderly¹⁰² and with sleep deprivation in healthy young people.¹⁰³

In contrast, the amplitude of OxyHb LFOs is sensitive to stimulations and increases with sympathetic stimulations,^{24,100} deep breathing,¹⁰⁰ and poor sleep,¹⁰² diminishes with hypercapnia,⁸⁰ while visual stimulations did not affect them. No difference

has been observed across gender or between hemispheres, but the day-to-day amplitude ratio seems to fluctuate considerably.⁹⁹

Very little corresponding knowledge has been obtained about the normal variance of OxyHb VLFOs.

4.2 Cerebral Diseases with Structural Brain Damage

The studies in Table 3 were identified.

4.2.1 Amplitude

In ischemic stroke occurring more than 12 months ago, the amplitude of both LFOs and VLFOs was shown to be lower than in healthy age-matched controls.¹⁰⁴ Phillip et al.¹⁰⁵ investigated LFOs of acute ischemic strokes within 5 days of ictus, but did not examine a healthy control group. Thrombolysed patients, conceivably having suffered less damage to their brain, exhibited amplitudes equal to that of nonthrombolysed patients. The absolute amplitude ratio was borderline different between the two groups and amplitude did not correlate with NIHSS on admission. According to the prevailing oscillation theories, decreased amplitudes would indicate a lower mean SNA or less myogenic (LFO) as well as neurogenic and metabolic (VLFO) autoregulatory activity. The former does not correlate with the common understanding of the autonomic nervous system (ANS) after stroke, where the SNS is believed to be overactive and dominating over the relatively inert parasympathetic nervous system.¹⁰⁶ However, the smooth muscle loses its tone after a stroke, which is an effect known as vasomotor paralysis.¹ The ability to contract is a prerequisite for the SNS to raise LFO

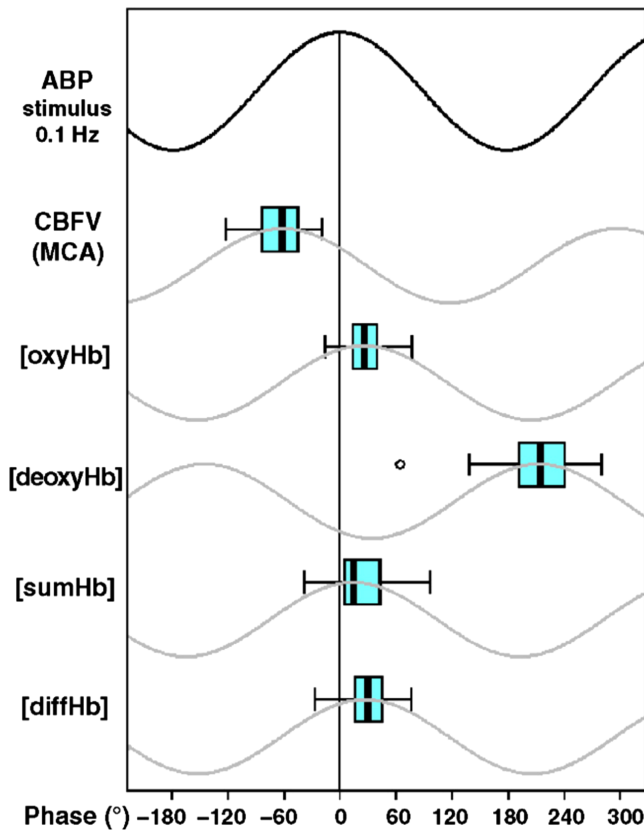


Fig. 5 Physiological phase relationship between oscillations in ABP and different cerebral hemodynamic parameters. Schematic illustration of oscillations. SumHb = OxyHb + DeoxyHb. DiffHb = OxyHb – DeoxyHb. With permission from Reinhard et al.⁹⁸

amplitude not being met due to the stroke. The decline in myogenic CA activity is an indication of the vasomotor paralysis rendering the brain vulnerable to further damage and could be permanent as it can be observed at least 12 months at minimum after a stroke.

Schroeter et al.¹⁰⁷ found a decreased LFO amplitude in patients with cerebral microangiopathy (CMA), though only due to hypertension. The amplitude of VLFOs in this study increased with visual stimulation supporting the theory of VLFO amplitude as an indication of possible metabolic control mechanism (though the applied range was an aggregate of metabolic and neurogenic VLFO frequencies). As CMA patients have damaged small vessels, one would have expected altered VLFO amplitude compared to the control group as the metabolic control occurs in the small vessels, but this was not the case possibly due to the aggregate VLFO range applied.

Newly diagnosed Alzheimer’s (AD) patients exhibited a higher LFO amplitude at rest in a study by van Beek et al.¹⁰⁸ The increased myogenic activity could be explained by a higher mean SNA level as shown in studies of the ANS in AD.^{109–111} The difference in LFO amplitude vanished when the groups performed a repetitive sit–stand maneuver possibly because of the SNS responding to large ABP-changes in healthy controls. VLFO amplitude was equivalent in the two groups under both conditions expressing equal neurogenic and metabolic CA activity.

A TFA of these patients showed that gain between V_{MCA} and OxyHb VLFOs was increased compared to controls, which authors proposed as an indicator of reduced metabolic reserve or a reduced diffusion of oxygen as observed in positron emission tomography studies of AD. The LFO V_{MCA} -OxyHb gain amplitude was similar across the two groups.

4.2.2 Synchronization

Several studies have explored the LFOs in resting patients with a chronic cerebral infarction and all found a lower interhemispheric WPCO in stroke patients suggesting a lesser stability of the phase difference between the hemispheres compared to healthy people.^{112–114} This effect was interpreted as a loss of the control on myogenic CA activity in the smooth muscle of resistance vessels. Such a desynchronization was also seen in acute stroke as evidenced by a higher absolute interhemispheric phase shift.¹⁰⁵ Interestingly, the interhemispheric phase

Table 3 Included studies of cerebral diseases with structural brain damage.

Authors	Population	Signals	Oscillations	Frequency range (Hz)	Analyses
Phillip et al. ¹⁰⁵	Acute stroke	OxyHb	LFO	0.09 to 0.11	Amplitude and synchronization
Li et al. ¹⁰⁴	Chronic stroke	OxyHb	LFO Upper VLFO	0.04 to 0.15 0.02 to 0.04	Amplitude
Han et al. ¹¹²	Chronic stroke	OxyHb	LFO Upper VLFO	0.052 to 0.145 0.021 to 0.052	Synchronization
Han et al. ¹¹³	Chronic stroke	OxyHb	LFO Upper VLFO	0.052 to 0.145 0.021 to 0.052	Synchronization
Tan et al. ¹¹⁴	Chronic stroke	OxyHb	LFO Upper VLFO Bottom VLFO	0.052 to 0.145 0.021 to 0.052 0.0095 to 0.021	Synchronization
Schroeter et al. ¹⁰⁷	CMA	OxyHb	LFO Upper VLFO	0.07 to 0.12 0.01 to 0.05	Amplitude
van Beek et al. ¹⁰⁸	AD	V_{MCA} OxyHb	LFO Upper VLFO	0.07 to 0.13 0.02 to 0.07	Amplitude and synchronization

shift proved to be well correlated to the National Institutes of Health Stroke Scale (NIHSS) and so the impaired CA was due to stroke size and not to treatment (thrombolysis or not).

VLFOs in the upper range exhibited lower interhemispheric WPCO in chronic stroke than control groups in two studies,^{112,114} while another showed an equal WPCO though with a smaller sample size.¹¹³ Lower WPCO would indicate a disruption of spontaneous neurogenic CA activity. Tan et al.¹¹⁴ also inspected the oscillations in the bottom VLFO range, which also had a lower WPCO and thus a reduced synchronicity of the metabolic control mechanism.

AD patients displayed a higher V_{MCA} -OxyHb phase shift in the VLFO range and authors explained this as differences in either active regulation mechanisms or in passive properties in the cerebral vasculature.¹⁰⁸ They also found an equal phase shift in the LFO range suggesting intact coordination of myogenic CA.

4.3 Symptomatic Diseases with Increased Risk of Further Damage

The studies in Table 4 were identified.

Studies of migraine, obstructive sleep apnea (OSA), and malaria were included in the review, though the risk association to cerebrovascular disease is not strong enough to draw any definite conclusions. However, these diseases have cerebrovascular traits that make them interesting in this context.

4.3.1 Amplitude

Symptomatic carotid stenosis (CS) patients were examined by Phillip et al.,¹¹⁵ which revealed equal gain between ABP and OxyHb LFOs when comparing to both the contralateral hemisphere and the hemispheres of healthy controls. However, an interhemispheric TFA was performed and showed a higher amplitude ratio due to lower amplitude on the hypoperfusion side. This indicates lower myogenic activity in the microvasculature

distal to the stenosis as an expression of compensatory dilation due to inadequate perfusion and oxygen delivery.

Moyamoya disease is characterized by intimal proliferation and stenosis of both the internal carotid arteries as well as its intracranial branches thereby creating the need for collateral angiogenesis looking like a dust cloud on angiography.¹¹⁶ The disease was inspected with NIRS, which showed lower amplitude in the LFO range and bottom VFLO range.¹¹⁷ In accordance with histological studies proving smooth muscle degeneration as the intima grows expansively,¹¹⁸ this result points to a decrease in spontaneous smooth muscle activity.

Schytz et al.¹¹⁹ examined both patients with familial hemiplegic migraine (FHM), common migraine, and OSA.¹²⁰ Patients suffering from FHM combined with common migraine had induced attacks with infusion of glyceryl trinitrate, and this was accompanied by higher LFO amplitude possibly caused by a reflectory increase in SNA and smooth muscle tone. OSA patients were examined before and 2 months after initiation of continuous positive airway pressure (CPAP) treatment. Oddly, OSA patients did not exhibit any difference to controls in LFO amplitude before CPAP despite OSA usually raising the general sympathetic tone¹²¹ and thus the smooth muscle activity, but perhaps this was disrupted by endothelial damage also associated with OSA.¹²⁰ However, they displayed a significant decline after treatment, reflecting the expected modulation of sympathetic activity.

In malaria patients, no difference in LFO amplitude was detected between cerebral and noncerebral malaria.¹²² Upper VLFO amplitude, however, was lower in cerebral malaria perhaps demonstrating the changes in microvasculature flow prompted by the parasite.¹²³ Authors state an increase in VLFO amplitude after recovery, but with no mention of which patients were included in the follow-up analysis.

4.3.2 Synchronization

CS has been under scrutiny by TFA due to the inherent nature of the disease. Reinhard et al.⁹⁸ were first to investigate it with

Table 4 Included studies of symptomatic diseases with increased risk of further damage.

Authors	Population	Signals	Oscillations	Frequency range (Hz)	Analyses
Reinhard et al. ⁹⁸	Unilateral CS	ABP V_{MCA} OxyHb	LFO	≈0.1	Synchronization
Phillip et al. ¹¹⁵	Symptomatic CS	ABP OxyHb	LFO	0.09 to 0.11	Amplitude and synchronization
Reinhard et al. ¹²⁴	Unilateral CS	ABP OxyHb	LFO	0.095 to 0.105	Synchronization
Oldag et al. ¹²⁶	Severe unilateral MCA stenosis	ABP OxyHb	LFO	0.08 to 0.12	Synchronization
He et al. ¹¹⁷	Moyamoya	OxyHb	LFO Upper VLFO Bottom VLFO	0.06 to 0.15 0.02 to 0.06 0.0095 to 0.02	Amplitude
Schytz et al. ¹¹⁹	FHM ± common migraine	OxyHb	LFO	0.09 to 0.11	Amplitude
Schytz et al. ¹²⁰	OSA	OxyHb	LFO	0.05 to 0.15	Amplitude
Kolyva et al. ¹²²	Malaria	OxyHb	LFO Upper VLFO	0.04 to 0.15 0.02 to 0.04	Amplitude

NIRS as the output measure. Compared to both healthy controls and the contralateral hemisphere, respiratory amplified LFOs in V_{MCA} and OxyHb were delayed relative to ABP LFOs, but only the phase shift to the former was statistically significant. The normal counterphase relationship of OxyHb–DeoxyHb was also abrogated. These changes point to a desynchronization and thus impaired CA. Results from such patients must be carefully treated, as it is difficult to dissociate the effect of CS from other risk factors and infarction, though only a minor portion had any symptoms in this study. Authors later solidified their findings in an examination using a multichannel NIRS system, which also showed CA being mostly impaired in the MCA/ACA (anterior cerebral artery) border zone.¹²⁴

Similarly, Philip et al.¹¹⁵ arrived at a borderline altered phase shift when comparing to the contralateral hemisphere in resting symptomatic CS patients also demonstrating an impaired CA, but no difference compared to healthy controls. Using interhemispheric OxyHb TFA, authors presented an altered absolute interhemispheric phase shift with borderline significance.

Interhemispheric measures seem more intuitively correct as it would minimize anatomical variations¹²⁵ despite the noteworthy limitation of needing a healthy contralateral hemisphere to compare with.

The trend also occurs in severe unilateral MCA stenosis although the examined patients were asymptomatic. Increased LFO ABP-OxyHb phase shift was observed in the affected hemisphere over the entire hemisphere and even higher in the core MCA distribution area.¹²⁶ A subgroup was examined for CVR, which showed that diminished CVR led to higher phase shifts. The desynchronization of myogenic CA could thus be the consequence of the downstream vessels not being able to compensate for the MCA stenosis.

4.4 Asymptomatic Conditions with Increased Risk of Cerebrovascular Disease

The studies in Table 5 were identified.

Table 5 Included studies of asymptomatic conditions with increased risk of further damage.

Author	Population	Signals	Oscillations	Frequency range (Hz)	Analyses
Li et al. ¹²⁸	Risk of stroke – elevated V_{MCA}	OxyHb	LFO Upper VLFO Bottom VLFO	0.06 to 0.15 0.02 to 0.06 0.005 to 0.02	Amplitude
Li et al. ¹²⁹	Hypertension ± elevated V_{MCA}	OxyHb	LFO Upper VLFO Bottom VLFO	0.06 to 0.15 0.02 to 0.06 0.005 to 0.02	Amplitude
Li et al. ¹³⁸	Hypertension	OxyHb	LFO Upper VLFO	0.05 to 0.15 0.02 to 0.05	Synchronization
Zeller et al. ¹³⁰	Elderly ± MCI	OxyHb	LFO	0.07 to 0.11	Amplitude
Schroeter et al. ¹³¹	Elderly	OxyHb	LFO Upper VLFO	0.07 to 0.11 0.01 to 0.05	Amplitude
Peng et al. ¹³⁶	Elderly	HR ABP V_{MCA} OxyHb	LFO	0.0625 to 0.125	Amplitude and synchronization
Philip et al. ⁹⁹	Elderly	ABP OxyHb	LFO	0.09 to 0.11	Amplitude and synchronization
Li et al. ¹³²	Elderly	OxyHb	LFO Upper VLFO Bottom VLFO	0.06 to 0.15 0.02 to 0.06 0.0095 to 0.02	Amplitude
Vermeij et al. ¹³⁵	Elderly	ABP OxyHb	LFO Upper VLFO	0.07 to 0.2 0.02 to 0.07	Amplitude and synchronization
Oudegeest-Sander et al. ¹³⁷	Elderly	V_{MCA} OxyHb	LFO Upper VLFO	0.07 to 0.2 0.02 to 0.07	Amplitude and synchronization
Cui et al. ¹⁴⁰	Elderly	ABP OxyHb	LFO Upper VLFO Bottom VLFO	0.05 to 0.15 0.02 to 0.05 0.0095 to 0.02	Synchronization
Gao et al. ¹³⁹	Elderly	ABP OxyHb	LFO Upper VLFO Bottom VLFO	0.05 to 0.15 0.02 to 0.05 0.0095 to 0.02	Synchronization

Table 5 (Continued).

Author	Population	Signals	Oscillations	Frequency range (Hz)	Analyses
Song et al. ¹³³	Elderly	OxyHb	LFO Upper VLFO Bottom VLFO	0.06 to 0.15 0.02 to 0.06 0.01 to 0.02	Amplitude
Tan et al. ¹³⁴	Elderly	OxyHb	LFO Upper VLFO Bottom VLFO	0.052 to 0.145 0.021 to 0.052 0.0095 to 0.021	Amplitude and synchronization
Wang et al. ¹⁴¹	Elderly	OxyHb	LFO Upper VLFO Bottom VLFO	0.052 to 0.145 0.021 to 0.052 0.0095 to 0.021	Synchronization

4.4.1 Amplitude

Elevated V_{MCA} has been recognized as a measure of intracerebral atherosclerosis, and therefore, a risk factor for stroke.¹²⁷ People with this condition displayed lower amplitude in LFO, upper and bottom VLFO ranges, though the former two were borderline significant.¹²⁸ This provides indication of decreases in myogenic, neurogenic, and metabolic activity of the cerebral vasculature with elevated V_{MCA} , which could all be attributed to the stiffening of vessel walls in atherosclerosis.

An important factor in the development of atherosclerosis is arterial hypertension, in which Li et al.¹²⁹ examined with half of the hypertension subjects also exhibiting elevated V_{MCA} . Hypertension increased the LFO amplitude as the result of myogenic autoregulatory mechanisms being activated to protect the brain in conform to general CA knowledge.¹ The group with elevated V_{MCA} had amplitudes between that of the hypertension group and the healthy controls. This dampening of amplitude consolidates the findings in the former study of elevated V_{MCA} .¹²⁸ Noteworthy is the opposite trend of LFO amplitude in CMA patients as the result of hypertension¹⁰⁷ possibly elucidating that CMA patients do not have the ability to increase their myogenic CA in response to the challenge of hypertension. VLFO amplitudes did not show any definite trends in hypertension.

LFO amplitude has been shown to decrease with age in numerous studies with subjects both at rest^{130,131,132,133,134} and with stimulations of visual,¹³¹ cognitive,¹³⁵ and positional character.^{136,133} Generally, this has been interpreted as an expression of vessel stiffening with age, and therefore, less microvascular smooth muscle activity. This trend was even more pronounced in elderly with mild cognitive impairment (MCI), though only in the parietal lobes.¹³⁰ TFA showed no difference in LFO ABP-OxyHb gain across age groups during rest^{99,135} or cognitive memory task.¹³⁵

VLFO amplitude in aging exhibited a similar decline¹³² although more apparent with stimulations^{131,135,133} displaying an age effect on neurogenic and metabolic CA. TFA of ABP-OxyHb VLFO during the cognitive test by Vermeij et al.¹³⁵ showed no effect of age or cognitive load on gain.

During sit-stand maneuvers performed in a study by Oudegeest-Sander et al.,¹³⁷ authors found no difference in V_{MCA} -OxyHb gain across age groups, but a trend toward higher gain was conveyed in their regression analysis. Reduced distensibility and thereby less damping of V_{MCA} oscillations in the elderly were proposed to account for this difference.

4.4.2 Synchronization

The interhemispheric WPCO approach was applied to hypertension patients and resulted in lower LFO WPCO and equal WPCO in the upper VLFO range.¹³⁸ This loss of synchronicity was connected to a reduced control of the microvascular smooth muscle activity. The stroke study by Han et al.¹¹² examined a subpopulation also suffering from hypertension and found an even lower WPCO in the upper VLFO range suggesting additional desynchronization of neurogenic CA activity, while hypertension did not desynchronize LFOs any further.

The synchronization of oscillations in the aging brain has been well examined. Peng et al.¹³⁶ used a synchronicity analysis called wavelet cross correlation (WCC, higher values indicating stronger synchronicity). It showed that the WCC for HR-OxyHb, ABP-OxyHb, and V_{MCA} -OxyHb was equal in the LFO range when subjects remained at supine rest but increased substantially more in young people with head-up tilt test and with active standing in another study.¹³⁹ This implies an increase in synchronization between systemic and CBF under sympathetic challenges such as positional changes and that this mechanism is impaired in the elderly.

ABP-OxyHb LFO phase analyses have disclosed equal phase shifts in young and elderly under rest^{99,135} and during cognitive testing.¹³⁵ Wavelet studies have come to the same conclusion, as the ABP-OxyHb WPCO was homogenous across age groups at rest.^{140,139} Meanwhile, interhemispheric analyses found lower WPCO with aging indicating desynchronization of myogenic CA at rest.^{134,141}

Oudegeest-Sander et al.¹³⁷ examined the VLFOs during a sit-stand maneuver and their regression analysis showed a trend toward higher V_{MCA} -OxyHb phase shift with age explained by increased vascular tortuosity. The WPCO between VLFOs of ABP and OxyHb in the elderly has also been investigated. At rest synchronization of neurogenic CA activity was higher in the elderly perhaps to compensate for the decline in myogenic CA activity.^{140,139} During active standing, this difference evened out and both the neurogenic and metabolic CA synchronization was equivalent to the young.¹³⁹ Interhemispheric WPCO analysis also showed intact synchronization of metabolic and neurogenic activity.¹³⁴

5 Limitations

Before making any definitive conclusions based on the reviewed material, several limitations must be acknowledged. The penetration depth of infrared light prevents NIRS from ever

examining deeper parts of the brain than the available cortex and can never be used to determine whether the observations are reflecting global hemispheric trends or local phenomena despite the use of multichannel systems. In general, the reviewed examinations have applied an interoptode distance of 3 to 5 cm to get the deepest penetration possible, but with no coherency across studies. Although signals from the skin and skull could pollute the cortical signal, the method of short separation optodes rectifies this shortcoming in most cases.

NIRS assumes that the infrared light passes through tissue with a constant spread and that only hemoglobin absorbs the light, which are both reasonable. The emanating signal is comprised of the entire tissue and all the different vascular compartments, which is hard to separate and only recently made conceivable with NIRS.¹⁴² The infrared light in the spectrum utilized has a wavelength between 650 and 950 nm, but there is no unified agreement, in which exact wavelengths are most appropriate. Because the relative absorption of OxyHb and DeoxyHb changes with the wavelength, there is a difference between the measured chromophores and thus the examined vascular compartment when using different wavelengths.^{95,143}

NIRS also assumes that the measured hemoglobin concentration is the homogenous in the illuminated tissue, which is not necessarily the case, especially when local pathology is involved.

Processing NIRS signals can be done in a variety of ways to remove motion artefacts and while every process has its advantages, none have proved to be superior to others. The technique is more sensitive to motion artefacts than it is credited for, which will either limit the possible functional stimulations or raise the requirements for postprocessing.

The spectral analysis of NIRS signals can either be performed with Fourier or wavelet transforms and while the two methods are mathematically equivalent, the outcomes in the synchronization analysis cannot be compared directly. Also the differences in technical setup, postprocessing, and spectral analyses render any sort of metaanalysis impossible.

The oscillation analysis method is quite demanding in several ways. The nature of LFOs requires rather long recordings to build a significant data foundation as LFOs only occur 6 times per minute and VLFOs 1 to 3 times per minute. The analysis itself is quite complex and commands skilled personnel and time. Also, as shown in Tables 3–5, there is a need for coherency in the applied frequency ranges. These factors constitute a substantial obstacle of monitoring for immediate changes in CA and thus the clinical implementation.

In this paper, both spontaneous oscillations and oscillations enhanced with stimulations of appropriate frequency have been included. Debate remains between scientists as to which method is better.¹⁴⁴ While spontaneous oscillations are claimed to have higher signal-to-noise ratio, this could be accounted for in the analysis and provide a reasonable method for evaluating CA in patients where stimulations can be challenging to perform, e.g., stroke or other cerebrovascular diseases.

Average population size in NIRS oscillation studies is not particularly large and the need for larger-scale investigations is obvious in order to solidify the current knowledge and showcase the possible clinical utilization. However, the technique suffers somewhat due to the perpetual technical and analytical development quickly causing results to be viewed as either outdated or inappropriate for comparison with other studies. It also makes the continuous examination of healthy control groups imperative. There have not yet been established any quantitative

measure of intact or impaired CA, which also leaves power calculations impossible.

Caution should be advised in the oscillation research, as investigation of too many oscillating chromophores and NIRS parameters could potentially be more misleading than progressive. The absence of focus in both study design and outcome is dangerous when dealing with relatively small sample sizes. Additionally, the term “altered oscillations” is often applied in discussions of results across different parameters and should be avoided. Each parameter should be carefully analyzed separately as the current study has attempted.

More research is clearly needed both in experimental and clinical studies to improve our knowledge of the oscillations in general and expand the pathophysiological understanding of cerebrovascular diseases and conditions that lead to them. The method would benefit greatly from more coherent technical and analytical procedures, while advances in these areas could also provide the basis for implementation in clinical settings.

6 Conclusion

CA is a complex phenomenon ensuring adequate perfusion to the brain by myogenic, neural, metabolic, and possibly other mechanisms. The modulation of systemic oscillations in the low- and very low-frequency spectrum measured in cerebral vessels is thought to be an expression of the exerted autoregulation. Near-infrared spectroscopy can be used to examine regional cerebral perfusion and thus evaluate CA in cerebrovascular diseases and related conditions. The outcome of LFO amplitude is relatively robust in quantifying the myogenic CA from the smooth muscle cells in the microvasculature, which is lower in stroke, atherosclerosis, and with aging, but must be interpreted with great care as it can be affected by sympathetic activity as in hypertension. LFO synchronization analyses of oscillations have shown disruption of normally well-coordinated autoregulatory actions in stroke, internal carotid, and MCA stenosis as well as in hypertension in accordance with other measurement techniques, but the optimal comparison remains uncertain. VLFO amplitudes suggest lower metabolic and neurogenic CA in stroke, atherosclerosis, and aging, but are generally not as consistent as LFO amplitude, in part due to incoherent frequency ranges. VLFOs are desynchronized in stroke, intact in hypertension, and with aging. Although the outcomes can never stand alone, they seem able to enhance our knowledge of CA. Despite certain limitations, the oscillation analysis of NIRS data could be a valuable tool to both researchers and physicians in the future. Additional research and more coherent methodologies are needed.

Disclosures

The authors declare that there is no conflict of interest.

References

1. O. B. Paulson, S. Strandgaard, and L. Edvinsson, “Cerebral autoregulation,” *Cerebrovasc. Brain Metab. Rev.* **2**(2), 161–92 (1990).
2. J. Donnelly, M. J. Aries, and M. Czosnyka, “Further understanding of cerebral autoregulation at the bedside: possible implications for future therapy,” *Expert Rev. Neurother.* **15**, 169–185 (2015).
3. N. A. Lassen, “Cerebral blood flow and oxygen consumption in man,” *Physiol. Rev.* **39**, 183–238 (1959).
4. F. M. Faraci and D. D. Heistad, “Regulation of large cerebral arteries and cerebral microvascular pressure,” *Circ. Res.* **66**, 8–17 (1990).

5. A. Moerman and S. De Hert, "Recent advances in cerebral oximetry. Assessment of cerebral autoregulation with near-infrared spectroscopy: myth or reality?" *F1000Res*. **6**, 1615 (2017).
6. K. M. Brady et al., "Continuous time-domain analysis of cerebrovascular autoregulation using near-infrared spectroscopy." *Stroke* **38**, 2818–2825 (2007).
7. J. M. Chillon and G. L. Baumbach, "Autoregulation of cerebral blood flow," in *Cerebrovascular Diseases*, 1st ed., K. Welch et al., Eds., pp. 51–54, Academic Press, San Diego, California (1997).
8. A. F. Folino, "Cerebral autoregulation and syncope," *Prog. Cardiovasc. Dis.* **50**, 49–80 (2007).
9. N. A. Lassen and A. Agnoli, "The upper limit of autoregulation of cerebral blood flow on the pathogenesis of hypertensive encephalopathy," *Scand. J. Clin. Lab. Invest.* **30**, 113–116 (1972).
10. S. J. Phillips and J. P. Whisnant, "Hypertension and the brain," *Arch. Intern. Med.* **152**, 938–945 (1992).
11. J. Donnelly et al., "Regulation of the cerebral circulation: bedside assessment and clinical implications," *Crit. Care* **20**, 129 (2016).
12. B. Folkow, "Description of the myogenic hypothesis," *Circ. Res.* **15**(Suppl 1), 279–287 (1964).
13. E. C. Peterson, Z. Wang, and G. Britz, "Regulation of cerebral blood flow," *Int. J. Vasc. Med.* **2011**, 1–8 (2011).
14. G. M. Rubanyi, "Endothelium-derived relaxing and contracting factors," *J. Cell Biochem.* **46**, 27–36 (1991).
15. H. A. Kontos and E. P. Wei, "Oxygen-dependent mechanisms in cerebral autoregulation," *Ann. Biomed. Eng.* **13**, 329–334 (1985).
16. R. Aaslid et al., "Cerebral autoregulation dynamics in humans," *Stroke* **20**, 45–52 (1989).
17. J. W. Hamner and C. O. Tan, "Relative contributions of sympathetic, cholinergic, and myogenic mechanisms to cerebral autoregulation," *Stroke* **45**, 1771–1777 (2014).
18. T. Seifert and N. H. Secher, "Sympathetic influence on cerebral blood flow and metabolism during exercise in humans," *Prog. Neurobiol.* **95**, 406–426 (2011).
19. L. Meng and A. W. Gelb, "Regulation of cerebral autoregulation by carbon dioxide," *Anesthesiology* **122**, 196–205 (2015).
20. I. G. Gould et al., "The capillary bed offers the largest hemodynamic resistance to the cortical blood supply," *J. Cereb. Blood Flow Metab.* **37**, 52–68 (2017).
21. C. N. Hall et al., "Capillary pericytes regulate cerebral blood flow in health and disease," *Nature* **508**, 55–60 (2014).
22. S. Mayer, "Studien zur physiologie des herzens und der blutgefäße," *Sitz Kaiser Akad Wiss* **74**, 281–307 (1876).
23. C. Julien, "The enigma of Mayer waves: facts and models," *Cardiovasc. Res.* **70**, 12–21 (2006).
24. I. Tachtsidis et al., "Investigation of cerebral haemodynamics by near-infrared spectroscopy in young healthy volunteers reveals posture-dependent spontaneous oscillations," *Physiol. Meas.* **25**, 437–445 (2004).
25. R. Grasso et al., "Arterial baroreceptors are not essential for low frequency oscillation of arterial pressure," *J. Auton. Nerv. Syst.* **50**, 323–331 (1995).
26. N. Montano et al., "Effects of spinal section and of positive-feedback excitatory reflex on sympathetic and heart rate variability," *Hypertension* **36**, 1029–1034 (2000).
27. N. Montano et al., "Presence of vasomotor and respiratory rhythms in the discharge of single medullary neurons involved in the regulation of cardiovascular system," *J. Auton. Nerv. Syst.* **57**, 116–122 (1996).
28. G. Preiss and C. Polosa, "Patterns of sympathetic neuron activity associated with Mayer waves," *Am. J. Physiol.* **226**, 724–730 (1974).
29. S. Guzzetti et al., "Influences of neural mechanisms on heart period and arterial pressure variabilities in quadriplegic patients," *Am. J. Physiol.* **266**, H1112–H1120 (1994).
30. K. Inoue et al., "Power spectral analysis of blood pressure variability in traumatic quadriplegic humans," *Am. J. Physiol.* **260**, H842–H847 (1991).
31. J. Koh et al., "Human autonomic rhythms: vagal cardiac mechanisms in tetraplegic subjects," *J. Physiol.* **474**, 483–495 (1994).
32. A. C. Guyton and J. W. Harris, "Pressoreceptor-autonomic oscillation; a probable cause of vasomotor waves," *Am. J. Physiol.* **165**, 158–166 (1951).
33. C. Cerutti, C. Barres, and C. Paultre, "Baroreflex modulation of blood pressure and heart rate variabilities in rats: assessment by spectral analysis," *Am. J. Physiol.* **266**, H1993–H2000 (1994).
34. H. J. Jacob et al., "Spectral analysis of arterial pressure lability in rats with sinoaortic deafferentation," *Am. J. Physiol.* **269**, R1481–R1488 (1995).
35. C. Julien et al., "Hemodynamic analysis of arterial pressure oscillations in conscious rats," *J. Auton. Nerv. Syst.* **50**, 239–252 (1995).
36. C. Barres, E. P. de Souza Neto, and C. Julien, "Effect of alpha-adrenoceptor blockade on the 0.4 Hz sympathetic rhythm in conscious rats," *Clin. Exp. Pharmacol. Physiol.* **28**, 983–985 (2001).
37. N. Japundzic et al., "Spectral analysis of blood pressure and heart rate in conscious rats: effects of autonomic blockers," *J. Auton. Nerv. Syst.* **30**, 91–100 (1990).
38. R. Rubini et al., "Power spectrum analysis of cardiovascular variability monitored by telemetry in conscious unrestrained rats," *J. Auton. Nerv. Syst.* **45**, 181–190 (1993).
39. A. Cevese et al., "Baroreflex and oscillation of heart period at 0.1 Hz studied by alpha-blockade and cross-spectral analysis in healthy humans," *J. Physiol.* **531**, 235–244 (2001).
40. P. van de Borne et al., "Contrasting effects of phentolamine and nitroprusside on neural and cardiovascular variability," *Am. J. Physiol. Heart Circ. Physiol.* **281**, H559–H565 (2001).
41. D. S. Kimmerly et al., "Circulating norepinephrine and cerebrovascular control in conscious humans," *Clin. Physiol. Funct. Imaging* **23**, 314–319 (2003).
42. C. Barres, Y. Cheng, and C. Julien, "Steady-state and dynamic responses of renal sympathetic nerve activity to air-jet stress in sinoaortic denervated rats," *Hypertension* **43**, 629–635 (2004).
43. D. Bertram et al., "Differential responses of frequency components of renal sympathetic nerve activity to arterial pressure changes in conscious rats," *Am. J. Physiol. Regul. Integr. Comp. Physiol.* **289**, R1074–R1082 (2005).
44. B. J. Janssen et al., "Frequency-dependent modulation of renal blood flow by renal nerve activity in conscious rabbits," *Am. J. Physiol.* **273**, R597–R608 (1997).
45. S. C. Malpas et al., "Contribution of renal nerves to renal blood flow variability during hemorrhage," *Am. J. Physiol.* **274**, R1283–R1294 (1998).
46. P. Castiglioni et al., "Mechanisms of blood pressure and heart rate variability: an insight from low-level paraplegia," *Am. J. Physiol. Regul. Integr. Comp. Physiol.* **292**, R1502–R1509 (2007).
47. W. H. Cooke et al., "Human responses to upright tilt: a window on central autonomic integration," *J. Physiol.* **517**(Pt 2), 617–628 (1999).
48. R. Furlan et al., "Oscillatory patterns in sympathetic neural discharge and cardiovascular variables during orthostatic stimulus," *Circulation* **101**, 886–892 (2000).
49. D. Lucini et al., "Hemodynamic and autonomic adjustments to real life stress conditions in humans," *Hypertension* **39**, 184–188 (2002).
50. M. Pagani et al., "Relationship between spectral components of cardiovascular variabilities and direct measures of muscle sympathetic nerve activity in humans," *Circulation* **95**, 1441–1448 (1997).
51. J. A. Taylor et al., "Low-frequency arterial pressure fluctuations do not reflect sympathetic outflow: gender and age differences," *Am. J. Physiol.* **274**, H1194–H1201 (1998).
52. P. van de Borne et al., "Relationship between repeated measures of hemodynamics, muscle sympathetic nerve activity, and their spectral oscillations," *Circulation* **96**, 4326–4332 (1997).
53. A. Stefanovska, M. Bracic, and H. D. Kvermmo, "Wavelet analysis of oscillations in the peripheral blood circulation measured by laser Doppler technique," *IEEE Trans. Biomed. Eng.* **46**, 1230–1239 (1999).
54. M. Intaglietta, "Vasomotion and flowmotion: physiological mechanisms and clinical evidence," *Vasc. Med.* **1**, 101–112 (1990).
55. A. B. Rowley et al., "Synchronization between arterial blood pressure and cerebral oxyhaemoglobin concentration investigated by wavelet cross-correlation," *Physiol. Meas.* **28**, 161–173 (2007).
56. A. M. Harper et al., "The influence of sympathetic nervous activity on cerebral blood flow," *Arch. Neurol.* **27**, 1–6 (1972).
57. N. Lundberg, "Continuous recording and control of ventricular fluid pressure in neurosurgical practice," *Acta Psychiatr. Scand. Suppl.* **36**, 1–193 (1960).
58. D. Mautner-Huppert et al., "B-waves in healthy persons," *Neurol. Res.* **11**, 194–196 (1989).
59. D. W. Newell et al., "The relationship of blood flow velocity fluctuations to intracranial pressure B waves," *J. Neurosurg.* **76**, 415–421 (1992).

60. C. A. Giller, "The frequency-dependent behavior of cerebral autoregulation," *Neurosurgery* **27**, 362–368 (1990).
61. B. Magnaes, "Body position and cerebrospinal fluid pressure. Part 1: clinical studies on the effect of rapid postural changes," *J. Neurosurg.* **44**, 687–697 (1976).
62. I. R. Piper et al., "An experimental study of cerebrovascular resistance, pressure transmission, and craniospinal compliance," *Neurosurgery* **32**, 805–816, discussion 15–16 (1993).
63. M. J. Rosner and D. P. Becker, "Origin and evolution of plateau waves. Experimental observations and a theoretical model," *J. Neurosurg.* **60**, 312–324 (1984).
64. R. Steinmeier et al., "Slow rhythmic oscillations of blood pressure, intracranial pressure, microcirculation, and cerebral oxygenation. Dynamic interrelation and time course in humans," *Stroke* **27**, 2236–2243 (1996).
65. K. M. Einhäupl et al., "Oscillations of ICP related to cardiovascular parameters," in *Intracranial Pressure VI*, J. D. Miller and J. O. Rowan, Eds., pp. 290–297, Springer-Verlag, Berlin, Heidelberg, (1986).
66. M. Hashimoto et al., "Respiratory and cardiovascular oscillations during B-waves," in *Intracranial Pressure VII*, J. T. Hoff and A. L. Betz, Eds., pp. 217–279, Springer, Berlin, Heidelberg (1989).
67. S. Higashi et al., "The role of vasomotor center and adrenergic pathway in B-waves," in *Intracranial Pressure VII*, J. T. Hoff and A. L. Betz, Eds., pp. 220–224, Springer, Berlin, Heidelberg (1989).
68. J. L. Venes, "B waves—a reflection of cardiorespiratory or cerebral nervous systems rhythm?" *Childs Brain* **5**, 352–360 (1979).
69. R. M. Birn et al., "Separating respiratory-variation-related fluctuations from neuronal-activity-related fluctuations in fMRI," *Neuroimage* **31**, 1536–1548 (2006).
70. R. G. Wise et al., "Resting fluctuations in arterial carbon dioxide induce significant low frequency variations in BOLD signal," *Neuroimage* **21**, 1652–1664 (2004).
71. T. Peng et al., "The effects of respiratory CO₂ fluctuations in the resting-state BOLD signal differ between eyes open and eyes closed," *Magn. Reson. Imaging* **31**, 336–345 (2013).
72. A. Spiegelberg, M. Preuß, and V. Kurtcuoglu, "B-waves revisited," *Interdiscip. Neurosurg.* **6**, 13–17 (2016).
73. E. Farkas and P. G. M. Luiten, "Cerebral microvascular pathology in aging and Alzheimer's disease," *Prog. Neurobiol.* **64**, 575–611 (2001).
74. R. Zhang et al., "Autonomic neural control of dynamic cerebral autoregulation in humans," *Circulation* **106**, 1814–1820 (2002).
75. B. Nafz, C. D. Wagner, and P. B. Persson, "Endogenous nitric oxide buffers blood pressure variability between 0.2 and 0.6 Hz in the conscious rat," *Am. J. Physiol.* **272**(2), H632–H637 (1997).
76. M. Rucker et al., "Vasomotion in critically perfused muscle protects adjacent tissues from capillary perfusion failure," *Am. J. Physiol. Heart Circ. Physiol.* **279**(2), H550–H558 (2000).
77. B. Chapuis et al., "Linear modelling analysis of baroreflex control of arterial pressure variability in rats," *J. Physiol.* **559**, 639–649 (2004).
78. R. R. Diehl et al., "Phase relationship between cerebral blood flow velocity and blood pressure. A clinical test of autoregulation," *Stroke* **26**, 1801–1804 (1995).
79. T. Katura et al., "Quantitative evaluation of interrelations between spontaneous low-frequency oscillations in cerebral hemodynamics and systemic cardiovascular dynamics," *Neuroimage* **31**(4), 1592–1600 (2006).
80. H. Obrig et al., "Spontaneous low frequency oscillations of cerebral hemodynamics and metabolism in human adults," *Neuroimage* **12**, 623–639 (2000).
81. G. Strangman, D. A. Boas, and J. P. Sutton, "Non-invasive neuroimaging using near-infrared light," *Biol. Psychiatry* **52**(7), 679–693 (2002).
82. L. L. Thomsen and H. K. Iversen, "Experimental and biological variation of three-dimensional transcranial Doppler measurements," *J. Appl. Physiol.* **75**, 2805–2810 (1993).
83. R. L. Hoiland and P. N. Ainslie, "CrossTalk proposal: the middle cerebral artery diameter does change during alterations in arterial blood gases and blood pressure," *J. Physiol.* **594**, 4073–4075 (2016).
84. S. Sarkar et al., "Role of transcranial Doppler ultrasonography in stroke," *Postgrad. Med. J.* **83**(985), 683–689 (2007).
85. L. Gagnon et al., "Further improvement in reducing superficial contamination in NIRS using double short separation measurements," *Neuroimage* **85**(Pt1), 127–135 (2014).
86. H. Obrig, "NIRS in clinical neurology—a 'promising' tool?" *Neuroimage* **85**(Pt1), 535–546 (2014).
87. M. Chacon et al., "Comparing models of spontaneous variations, maneuvers and indexes to assess dynamic cerebral autoregulation," *Acta Neurochir. Suppl.* **126**, 159–162 (2018).
88. M. Czosnyka et al., "Monitoring of cerebral autoregulation in head-injured patients," *Stroke* **27**, 1829–1834 (1996).
89. L. A. Steiner et al., "Near-infrared spectroscopy can monitor dynamic cerebral autoregulation in adults," *Neurocrit. Care* **10**, 122–128 (2009).
90. X. Liu et al., "Comparison of frequency and time domain methods of assessment of cerebral autoregulation in traumatic brain injury," *J. Cereb. Blood Flow Metab.* **35**, 248–256 (2015).
91. R. Zhang et al., "Transfer function analysis of dynamic cerebral autoregulation in humans," *Am. J. Physiol.* **274**, H233–H241 (1998).
92. Y. Shiogai, A. Stefanovska, and P. V. McClintock, "Nonlinear dynamics of cardiovascular ageing," *Phys. Rep.* **488**, 51–110 (2010).
93. A. Bruns, "Fourier-, Hilbert- and wavelet-based signal analysis: are they really different approaches?" *J. Neurosci. Methods* **137**, 321–332 (2004).
94. L. Thewissen et al., "Measuring near-infrared spectroscopy derived cerebral autoregulation in neonates: from research tool toward bedside multimodal monitoring," *Front. Pediatr.* **6**, 117 (2018).
95. G. Strangman, M. A. Franceschini, and D. A. Boas, "Factors affecting the accuracy of near-infrared spectroscopy concentration calculations for focal changes in oxygenation parameters," *NeuroImage* **18**, 865–879 (2003).
96. P. Smielewski et al., "Can cerebrovascular reactivity be measured with near-infrared spectroscopy?," *Stroke* **26**(12), 2285–2292 (1995).
97. G. Strangman et al., "A quantitative comparison of simultaneous BOLD fMRI and NIRS recordings during functional brain activation," *Neuroimage* **17**, 719–731 (2002).
98. M. Reinhard et al., "Oscillatory cerebral hemodynamics—the macro- vs. microvascular level," *J. Neurol. Sci.* **250**, 103–109 (2006).
99. D. Phillip et al., "Low frequency oscillations in cephalic vessels assessed by near infrared spectroscopy," *Eur. J. Clin. Invest.* **42**, 1180–1188 (2012).
100. R. Cheng et al., "Noninvasive optical evaluation of spontaneous low frequency oscillations in cerebral hemodynamics," *Neuroimage* **62**, 1445–1454 (2012).
101. G. Pfurtscheller et al., "About the stability of phase shifts between slow oscillations Around 0.1 Hz in cardiovascular and cerebral systems," *IEEE Trans. Biomed. Eng.* **58**, 2064–2071 (2011).
102. L. Bu et al., "Effects of poor sleep quality on brain functional connectivity revealed by wavelet-based coherence analysis using NIRS methods in elderly subjects," *Neurosci. Lett.* **668**, 108–114 (2018).
103. L. Bu et al., "Effects of sleep deprivation on phase synchronization as assessed by wavelet phase coherence analysis of prefrontal tissue oxyhemoglobin signals," *PLoS One* **12**, e0169279 (2017).
104. Z. Li et al., "Wavelet analysis of cerebral oxygenation signal measured by near infrared spectroscopy in subjects with cerebral infarction," *Microvasc. Res.* **80**, 142–147 (2010).
105. D. Phillip et al., "Spontaneous low frequency oscillations in acute ischemic stroke: a near infrared spectroscopy (NIRS) study," *J. Neurol. Neurophysiol.* **5**, 1000241 (2014).
106. A. M. Dorrance and G. Fink, "Effects of stroke on the autonomic nervous system," *Compr. Physiol.* **5**, 1241–1263 (2015).
107. M. L. Schroeter et al., "Spontaneous slow hemodynamic oscillations are impaired in cerebral microangiopathy," *J. Cereb. Blood Flow Metab.* **25**, 1675–1684 (2005).
108. A. H. van Beek et al., "Oscillations in cerebral blood flow and cortical oxygenation in Alzheimer's disease," *Neurobiol. Aging* **33**, 428.e21–428.e31 (2012).
109. J. Aharon-Peretz et al., "Increased sympathetic and decreased parasympathetic cardiac innervation in patients with Alzheimer's disease," *Arch. Neurol.* **49**, 919–922 (1992).
110. M. A. de Vilhena Toledo and L. F. Junqueira Jr., "Cardiac sympathetic modulation evaluated by short-term heart interval variability is subtly impaired in Alzheimer's disease," *Geriatr. Gerontol. Int.* **8**, 109–118 (2008).
111. B. Zakrzewska-Pniewska et al., "Clinical and functional assessment of dysautonomia and its correlation in Alzheimer's disease," *Am. J. Alzheimers Dis. Other Dement.* **27**, 592–599 (2012).
112. Q. Han et al., "Phase synchronization analysis of prefrontal tissue oxyhemoglobin oscillations in elderly subjects with cerebral infarction," *Med. Phys.* **41**, 102702 (2014).

113. Q. Han et al., "Wavelet coherence analysis of prefrontal tissue oxyhaemoglobin signals as measured using near-infrared spectroscopy in elderly subjects with cerebral infarction," *Microvasc. Res.* **95**, 108–115 (2014).
114. Q. Tan et al., "Frequency-specific functional connectivity revealed by wavelet-based coherence analysis in elderly subjects with cerebral infarction using NIRS method," *Med. Phys.* **42**, 5391–5403 (2015).
115. D. Phillip et al., "Altered low frequency oscillations of cortical vessels in patients with cerebrovascular occlusive disease—a NIRS study," *Front. Neurol.* **4**, 204 (2013).
116. S. Kuroda and K. Houkin, "Moyamoya disease: current concepts and future perspectives," *Lancet Neurol.* **7**, 1056–1066 (2008).
117. Y. He et al., "Wavelet analysis of cerebral oxygenation oscillations in the screening of Moyamoya disease," *Biomed. Mater. Eng.* **24**, 3463–3469 (2014).
118. M. Fukui et al., "Moyamoya disease," *Neuropathology* **20**(Suppl 1), 61–64 (2000).
119. H. W. Schyetz et al., "Nitric oxide modulation of low-frequency oscillations in cortical vessels in FHM—a NIRS study," *Headache* **52**, 1146–1154 (2012).
120. H. W. Schyetz et al., "Low-frequency oscillations and vasoreactivity of cortical vessels in obstructive sleep apnea during wakefulness: a near infrared spectroscopy study," *Sleep Med.* **14**, 416–421 (2013).
121. M. Kohler and J. R. Stradling, "Mechanisms of vascular damage in obstructive sleep apnea," *Nat. Rev. Cardiol.* **7**(12), 677–685 (2010).
122. C. Kolyva et al., "Oscillations in cerebral haemodynamics in patients with falciparum malaria," *Adv. Exp. Med. Biol.* **765**, 101–107 (2013).
123. S. K. Mishra and C. R. Newton, "Diagnosis and management of the neurological complications of falciparum malaria," *Nat. Rev. Neurol.* **5**, 189–198 (2009).
124. M. Reinhard et al., "Spatial mapping of dynamic cerebral autoregulation by multichannel near-infrared spectroscopy in high-grade carotid artery disease," *J. Biomed. Opt.* **19**, 097005 (2014).
125. S. Muehlschlegel et al., "Feasibility of NIRS in the neurointensive care unit: a pilot study in stroke using physiological oscillations," *Neurocrit. Care* **11**, 288–295 (2009).
126. A. Oldag et al., "Near-infrared spectroscopy and transcranial sonography to evaluate cerebral autoregulation in middle cerebral artery steno-occlusive disease," *J. Neurol.* **263**, 2296–2301 (2016).
127. M. J. Bos et al., "Transcranial Doppler hemodynamic parameters and risk of stroke: the Rotterdam study," *Stroke* **38**, 2453–2458 (2007).
128. Z. Li et al., "Spectral analysis of near-infrared spectroscopy signals measured from prefrontal lobe in subjects at risk for stroke," *Med. Phys.* **39**, 2179–2185 (2012).
129. Z. Li et al., "Assessment of cerebral oxygenation oscillations in subjects with hypertension," *Microvasc. Res.* **88**, 32–41 (2013).
130. J. B. M. Zeller et al., "Reduced spontaneous low frequency oscillations as measured with functional near-infrared spectroscopy in mild cognitive impairment," *Brain Imaging Behav.* 1–10 (2018).
131. M. L. Schroeter, O. Schmiedel, and D. Y. von Cramon, "Spontaneous low-frequency oscillations decline in the aging brain," *J. Cereb. Blood Flow Metab.* **24**, 1183–1191 (2004).
132. Z. Li et al., "Age-related changes in spontaneous oscillations assessed by wavelet transform of cerebral oxygenation and arterial blood pressure signals," *J. Cereb. Blood Flow Metab.* **33**, 692–699 (2013).
133. S. Song et al., "Low-frequency oscillations in cerebrovascular and cardiovascular hemodynamics: their interrelationships and the effect of age," *Microvasc. Res.* **102**, 46–53 (2015).
134. Q. Tan et al., "Age-related alterations in phase synchronization of oxyhemoglobin concentration changes in prefrontal tissues as measured by near-infrared spectroscopy signals," *Microvasc. Res.* **103**, 19–25 (2016).
135. A. Vermeij et al., "Very-low-frequency oscillations of cerebral hemodynamics and blood pressure are affected by aging and cognitive load," *Neuroimage* **85**(Pt1), 608–615 (2014).
136. T. Peng et al., "The effects of age on the spontaneous low-frequency oscillations in cerebral and systemic cardiovascular dynamics," *Physiol. Meas.* **29**, 1055–1069 (2008).
137. M. H. Oudegeest-Sander et al., "Assessment of dynamic cerebral autoregulation and cerebrovascular CO₂ reactivity in ageing by measurements of cerebral blood flow and cortical oxygenation," *Exp. Physiol.* **99**, 586–598 (2014).
138. Z. Li et al., "Wavelet coherence analysis of prefrontal oxygenation signals in elderly subjects with hypertension," *Physiol. Meas.* **35**, 777–791 (2014).
139. Y. Gao et al., "Cerebral autoregulation in response to posture change in elderly subjects—assessment by wavelet phase coherence analysis of cerebral tissue oxyhemoglobin concentrations and arterial blood pressure signals," *Behav. Brain Res.* **278**, 330–336 (2015).
140. R. Cui et al., "Wavelet coherence analysis of spontaneous oscillations in cerebral tissue oxyhemoglobin concentrations and arterial blood pressure in elderly subjects," *Microvasc. Res.* **93**, 14–20 (2014).
141. B. Wang et al., "Posture-related changes in brain functional connectivity as assessed by wavelet phase coherence of NIRS signals in elderly subjects," *Behav. Brain Res.* **312**, 238–245 (2016).
142. J. M. Kainerstorfer, A. Sassaroli, and S. Fantini, "Optical oximetry of volume-oscillating vascular compartments: contributions from oscillatory blood flow," *J. Biomed. Opt.* **21**, 101408 (2016).
143. F. Scholkmann et al., "A review on continuous wave functional near-infrared spectroscopy and imaging instrumentation and methodology," *Neuroimage* **85**(Pt1), 6–27 (2014).
144. Y. C. Tzeng and R. B. Panerai, "CrossTalk proposal: dynamic cerebral autoregulation should be quantified using spontaneous blood pressure fluctuations," *J. Physiol.* **596**, 3–5 (2018).

Adam Vittrup Andersen is a physician at the Department of Neurology, Rigshospitalet in Copenhagen and PhD student at the Unit of Clinical Stroke Research, Rigshospitalet and the University of Copenhagen. He has written his MS thesis on LFOs in cerebrovascular diseases and is currently performing clinical studies on stroke patients with NIRS. His major scientific fields of interest include cerebrovascular disease and hemodynamics, near-infrared spectroscopy, functional neuroimaging, and cerebral autoregulation.

Sofie Amalie Simonsen is a physician in the neurologist educational program at the Department of Neurology, Rigshospitalet in Copenhagen and PhD student at the University of Copenhagen. She has authored and coauthored several papers focusing on cerebrovascular disease. She has been doing stroke research since 2014, and in 2018 she will defend her PhD thesis on stroke classification, breathing-related sleep disorders, cognitive impairment, and depression in stroke.

Henrik Winther Schyetz is a consultant at the Danish Headache Center, Rigshospitalet in Copenhagen and an associate professor at the University of Copenhagen. Has authored and coauthored more than 50 publications focusing on headache, cerebrovascular disease and cerebral hemodynamics. He has received the Harold Wolff–John Graham award as recognition for his substantial contribution to headache research. He has done numerous clinical studies with NIRS, which has been the basis of his doctoral dissertation.

Helle Klingenberg Iversen is a head of the stroke unit at Rigshospitalet in Copenhagen and associate professor at the University of Copenhagen. She has authored and coauthored more than 130 publications focusing on clinical and translational cerebrovascular research; stroke—subgroups, sleep disturbances in stroke, impact of naturalistic lighting on long-term hospitalized stroke patients, NIRS, organization of stroke service and patient involvement in stroke care planning. She is a chairman of the Danish Stroke Society.