

Article

A Compact Thévenin Model for a Rectenna and Its Application to an RF Harvester with MPPT

Manel Gasulla ^{1,*} , Edgar Ripoll-Vercellone ^{1,2}  and Ferran Reverter ¹ 

¹ e-CAT Research Group, Department of Electronic Engineering, Castelldefels School of Telecommunications and Aerospace Engineering, Universitat Politècnica de Catalunya, c/ Esteve Terradas, 7, 08860 Castelldefels (Barcelona), Spain; edgar.ripoll.vercellone@upc.edu (E.R.-V.); ferran.reverter@upc.edu (F.R.)

² Idneo Technologies, c/ Rec de Dalt s/n., 08100 Mollet del Vallès (Barcelona), Spain

* Correspondence: manel.gasulla@upc.edu; Tel.: +34-934-137-092

Received: 28 March 2019; Accepted: 3 April 2019; Published: 6 April 2019



Abstract: This paper proposes a compact Thévenin model for a rectenna. This model is then applied to design a high-efficiency radio frequency harvester with a maximum power point tracker (MPPT). The rectenna under study consists of an L-matching network and a half-wave rectifier. The derived model is simpler and more compact than those suggested so far in the literature and includes explicit expressions of the Thévenin voltage (V_{oc}) and resistance and of the power efficiency related with the parameters of the rectenna. The rectenna was implemented and characterized from -30 to -10 dBm at 808 MHz. Experimental results agree with the proposed model, showing a linear current–voltage relationship as well as a maximum efficiency at $V_{oc}/2$, in particular 60% at -10 dBm, which is a remarkable value. An MPPT was also used at the rectenna output in order to automatically work at the maximum efficiency point, with an overall efficiency near 50% at -10 dBm. Further tests were performed using a nearby transmitting antenna for powering a sensor node with a power consumption of 4.2 μ W.

Keywords: RF harvesting; rectenna; Thévenin model; maximum power point tracking; MPPT; L-matching network; sensor node

1. Introduction

Radio frequency (RF) energy harvesting has been extensively proposed to power tiny devices such as RFID tags, autonomous sensors, or Internet of Things (IoT) nodes. RF energy can be harvested either from dedicated sources, such as in the case of RFID devices [1–4], or from the RF energy already present in the ambient environment and coming from unintentional sources such as TV, FM radio, cellular, or WiFi emitters [2,5–10].

Figure 1 shows the block diagram of an RF harvester powering a sensor node. The rectenna (rectifying antenna) transforms the RF signal to a DC voltage and the maximum power point tracker (MPPT) provides the optimum load to the rectenna to transfer the maximum power to the sensor node.

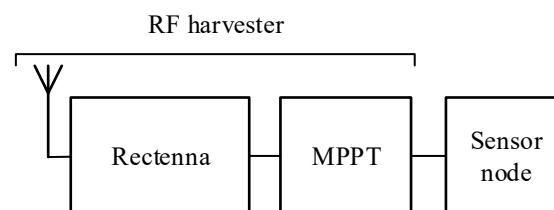


Figure 1. Block diagram of a radio frequency (RF) harvester powering a sensor node.

The rectenna is composed of an antenna, an impedance matching network, and a rectifier. As the available power at the antenna decreases so does the generated voltage. Whenever this voltage is not high enough to properly bias the diodes of the rectifier, power efficiency severely decreases. Several techniques have been proposed to increase the efficiency at low power levels. One of them consists of using an L-matching network for boosting the voltage at the rectifier input [1,3,5,10–21]. As for the MPPT, several works propose its use with rectennas using either commercial chips [6,7] or ad hoc designs [22–25].

With the aim of gaining more insight into the performance of the rectennas, different analytical models are proposed. However, the derived expressions, which in some cases seek to model the rectenna output as an equivalent Thévenin circuit, are rather complex and may require additional simulations or extensive calculations, which hide the influence of the different parameters of the rectenna on its performance [12,18,26–28]. At the other extreme, the Thévenin parameters are sometimes inferred by experimental characterization [25,29–32]. However, in these cases no relationship with the rectenna parameters is established.

Taking into account the previous limitations, this paper proposes a compact Thévenin model for the rectenna with the benefit of achieving manageable expressions of the Thévenin parameters as a function of the parameters of the rectenna so as to gain insight into its operation. In particular, the rectenna under study consists of an L-matching network and of a half-wave rectifier. The proposed model is then experimentally verified and the rectenna further tested in a high-efficiency RF harvester with MPPT.

The paper, which continues and expands the work presented in [32], is organized as follows. Section 2 presents the rectenna and the derived Thévenin equivalent. Section 3 describes the MPPT and the sensor node. Section 4 presents the materials and methods and Section 5 provides the experimental results and discussions. Finally, Section 6 concludes the work. Complementarily, two appendices are included. Appendix A presents an analytical development useful for the derivation of the Thévenin equivalent and Appendix B shows simulations of the rectenna with and without the matching network.

2. Rectenna and Its Thévenin Model

Figure 2 shows the schematic circuit of the rectenna under study [33], which includes a high-pass L-matching network (composed of a capacitor C_m and an inductor L_m), a half-wave rectifier, and an output filtering capacitor (C_o). The antenna is modelled by a sinusoidal voltage source v_a of amplitude V_{ap} and frequency f_o with a series radiation resistance R_a . On the other hand, v_{in} , Z_{in} , and P_{in} are, respectively, the sinusoidal voltage, impedance, and power at the input of the rectifier, i_d is the diode current, and V_o , I_o , and P_o are, respectively, the DC voltage, current, and power at the rectenna output. An equivalent resistance R_o is defined as V_o/I_o .

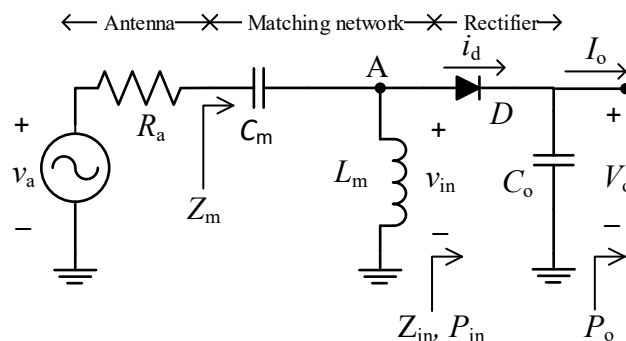


Figure 2. Schematic circuit of the rectenna under study.

The amplitude V_{ap} is given by [12] as follows:

$$V_{ap} = 2\sqrt{2R_a P_{av}}, \quad (1)$$

where P_{av} is the available power at the antenna. The matching network, at matching conditions, that is, $Z_m = R_a$ (where Z_m is defined in Figure 2), boosts the voltage at the input of the rectifier by a voltage gain, G_t , given by [33] as follows:

$$G_t = \frac{V_{in}}{V_{ap}} = \frac{1}{2} \sqrt{(1 + Q^2)}, \quad (2)$$

where V_{in} is the voltage amplitude of v_{in} and Q is the circuit quality factor given by:

$$Q = \frac{1}{\omega_0 C_m R_a}, \quad (3)$$

where $\omega_0 = 2\pi f_0$. On the other hand, the value of L_m must comply:

$$L_m = \frac{1}{\omega_0^2} \frac{1}{C_p + C_m Q^2 / (1 + Q^2)}, \quad (4)$$

where C_p models the parasitic capacitance between node A and ground.

To ease the analysis of the proposed rectenna and also gain more insight into its performance, a compact Thévenin model is provided here. First, the left-hand equivalent circuit of Figure 3 accounts for the antenna, the matching network, and the parasitic elements (R_p - C_p) of the coil, diode, and layout of the circuit. These parasitic elements are derived in Appendix A, where R_p models the losses of the coil and diode and C_p includes the parasitic capacitance of the diode, coil, and layout.

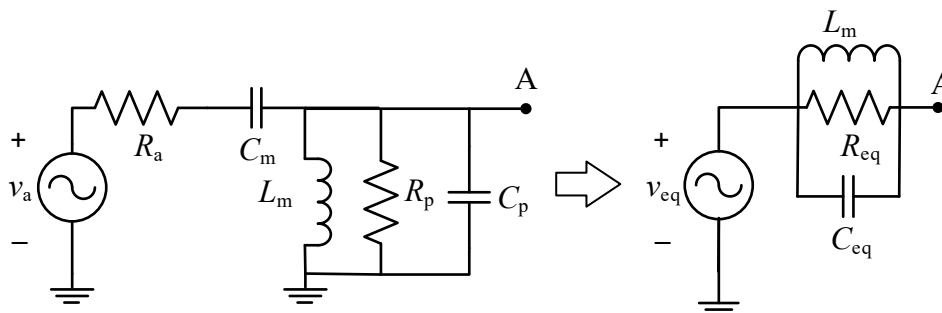


Figure 3. (left) Equivalent input circuit of the antenna and L-matching network considering the parasitic effects of the coil and diode and (right) its Thévenin equivalent circuit.

Analyzing the left-hand circuit of Figure 3 at f_0 , we can achieve the Thévenin equivalent represented by the right-hand circuit of Figure 3, where:

$$\begin{aligned} v_{eq} &= 2G_t v_a \frac{R_p}{4G_t^2 R_a + R_p}, \\ R_{eq} &= (4G_t^2 R_a) \parallel R_p, \\ C_{eq} &= C_m \frac{Q^2}{1+Q^2} + C_p. \end{aligned} \quad (5)$$

Next, the Thévenin equivalent of Figure 3 is linked to the next stage of the rectenna, the rectifier, resulting in the left-hand circuit of Figure 4, where the diode does not include its parasitic elements since they have been already considered in the previous derivation (they are included in R_{eq} and C_{eq}). The diode is forward biased when v_{in} , assumed sinusoidal, surpasses V_0 . As a result, i_d is pulsed and is composed of the fundamental frequency (f_0) as well as its harmonics and a DC component (I_0). Impedance Z_s (defined in the circuit) is zero at DC (due to the coil L_m) and is equal to R_{eq} at f_0 since L_m and C_{eq} form a parallel resonant circuit presenting an infinite impedance. On the other hand, at the harmonics of f_0 we have $Z_s \ll R_{eq}$ (due to C_{eq}) whenever Q is high enough. Therefore, only the current at f_0 (i_{in}) originates a voltage drop and v_{in} will be sinusoidal, as assumed before. Thus, apart

from boosting the voltage, the matching network ideally acts as an input band-pass filter that prevents any of the DC current and harmonics to flow through the antenna resistance and dissipate power. This leads to an ideal rectenna efficiency of 100%, assuming no losses in the circuit components and in the diode [34]. Contrariwise, when no matching network is present, maximum rectenna efficiency decreases to 46%, due to the additional losses at R_a originated by the current harmonics generated by the diode pulsed current, as demonstrated in [35]. Appendix B confirms these results via simulations. Finally, the value of C_o has to be much higher than the diode junction capacitance (C_j), as explained in Appendix A, to keep V_o nearly constant, that is, with a low voltage ripple (ΔV_o). This second condition leads to:

$$C_o > \frac{I_o}{\Delta V_o f_o}. \quad (6)$$

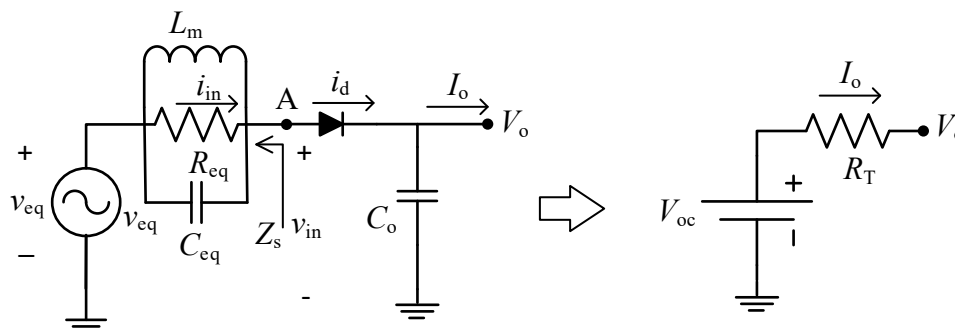


Figure 4. (left) Equivalent circuit of the rectenna using the right-hand circuit of Figure 3 and (right) its Thévenin equivalent.

The left-hand circuit of Figure 4 leads to the equivalent Thévenin circuit of the rectenna, represented by the right-hand circuit of Figure 4, by linking their output voltage–current relationship. For the left-hand circuit, we have:

$$V_o = V_{\text{inp}} - V_\gamma, \quad (7)$$

assuming a fixed forward voltage drop V_γ at the diode and:

$$V_{\text{inp}} = V_{\text{eqp}} - R_{\text{eq}} I_{\text{inp}}, \quad (8)$$

where V_{eqp} and I_{inp} are the amplitudes of v_{eq} and i_{in} , respectively. Substituting (8) into (7) provides:

$$V_o = V_{\text{eqp}} - V_\gamma - R_{\text{eq}} I_{\text{inp}}. \quad (9)$$

On the other hand, for the right-hand circuit we have:

$$V_o = V_{\text{oc}} - R_T I_o. \quad (10)$$

Then, by equating powers, we obtain:

$$P_{\text{in}} = P_o + P_d, \quad (11)$$

where

$$\begin{aligned} P_{\text{in}} &= \frac{V_{\text{inp}} I_{\text{inp}}}{2}, \\ P_o &= V_o I_o, \\ P_d &= V_\gamma I_o, \end{aligned} \quad (12)$$

and P_d is the average power dissipated across the diode. Thus, replacing (12) into (11) and using (7), we arrive at the following:

$$I_{\text{inp}} = 2I_o. \quad (13)$$

Finally, using (13) in (9) and equating (9) and (10), we obtain the parameters of the Thévenin model:

$$\begin{aligned} V_{oc} &= V_{eqp} - V_{\gamma}, \\ R_T &= 2R_{eq}, \end{aligned} \quad (14)$$

where V_{eqp} can be derived from v_{eq} in (5), using V_{ap} instead of v_a , resulting in:

$$V_{eqp} = 2G_t V_{ap} \frac{R_p}{4G_t^2 R_a + R_p}. \quad (15)$$

Then, using (15) and R_{eq} of (5) in (14), we have:

$$\begin{aligned} V_{oc} &= 2G_t V_{ap} \frac{R_p}{4G_t^2 R_a + R_p} - V_{\gamma}, \\ R_T &= 2[(4G_t^2 R_a) \parallel R_p]. \end{aligned} \quad (16)$$

Therefore, from (16), with an increasing P_{av} and thus V_{ap} , V_{oc} increases whereas R_T holds constant. Next, from (10), we can express I_o as:

$$I_o = (V_{oc} - V_o) / R_T, \quad (17)$$

and the output power P_o over a load resistor R_o can be simply calculated as:

$$P_o = V_o I_o = \frac{V_{oc} V_o - V_o^2}{R_T}, \quad (18)$$

being the power efficiency of the rectenna as:

$$\eta_{rect} = \frac{P_o}{P_{av}} = \frac{V_{oc} V_o - V_o^2}{P_{av} R_T}. \quad (19)$$

Applying the maximum power transfer theorem, maximum power is extracted from the rectenna for $V_o = 0.5V_{oc}$, which is known as the maximum power point (MPP) voltage (V_{MPP}). From (19), the resulting efficiency is as:

$$\eta_{rect,max} = \frac{V_{oc}^2}{4P_{av} R_T}. \quad (20)$$

Thus, using (16) in (20), we arrive at:

$$\eta_{rect,max} = \frac{R_p}{4G_t^2 R_a + R_p} \left(1 - \frac{V_{\gamma}}{\sqrt{2R_a P_{av}}} \frac{4G_t^2 R_a + R_p}{4G_t R_p} \right)^2. \quad (21)$$

As can be seen from (21), $\eta_{rect,max}$ increases with increasing P_{av} . Obviously, with no losses ($R_p = \infty$ and $V_{\gamma} = 0$) $\eta_{rect,max} = 1$ is obtained. On the other hand, the dependence of $\eta_{rect,max}$ on G_t is rather more complex. In [33], an optimum value of G_t was derived arising from the trade-off between the losses introduced by the coil and that due to the voltage drop of the diode. This optimum gain leads, from (16), to a particular value of R_T .

3. MPPT and Sensor Node

In general, a sensor node directly connected to the output of the rectenna will not provide an equivalent resistance $R_o = R_T$, at which the rectenna output operates at the MPP. Thus, an impedance matching stage (in addition to the matching network of the rectenna) is needed between the rectenna output and the sensor node, which can be implemented by a DC/DC converter. An MPPT, which consists of a DC/DC converter plus a tracking algorithm, can be used for automatically searching and

settling that optimum value of R_o , which also corresponds to $V_o = V_{MPP}$. Thus, the overall power efficiency of the RF harvester will be given by the following:

$$\eta_T = \eta_{\text{rect,max}} \eta_{\text{MPPT}}, \quad (22)$$

where η_{MPPT} is the efficiency of the MPPT and $\eta_{\text{rect}} = \eta_{\text{rect,max}}$ since the MPPT biases the rectenna at the MPP.

In this work, the fractional open circuit voltage (FOCV) MPPT technique is used, since it leads to simple and power efficient implementations. In this technique, the open circuit voltage (V_{oc}) of the energy transducer (a rectenna here) is first measured and a fraction k of V_{oc} is used to operate at V_{MPP} and thus achieve $\eta_{\text{rect,max}}$. Taking into account the analysis in Section 2, a proper choice here is $k = 0.5$ ($V_o = V_{MPP} = 0.5V_{oc}$).

Figure 5 presents the block diagram for the implementation of the FOCV MPPT technique, where C_L , C_{REF} , and C_{load} are capacitors, R_{oc1} and R_{oc2} are resistors, S_1 and S_2 are switches, V_{load} is the output voltage used to power the sensor node, and P_{load} is the power transferred to the sensor node. The operation is the following. First, S_1 closes and S_2 opens (sampling period). For high values of R_{oc1} and R_{oc2} , the output of the rectenna can be considered as open and thus $V_o = V_{oc}$. The voltage divider formed by R_{oc1} and R_{oc2} fixes $V_{MPP} = kV_{oc}$, being $k = 0.5$ here (i.e., $R_{oc1} = R_{oc2}$). The input capacitor (C_L) momentarily stores the incoming harvested energy. Secondly, S_1 opens and S_2 closes (regulation period). Thus, V_{MPP} holds constant thanks to C_{REF} , and the DC/DC converter settles V_o around V_{MPP} and transfers the harvested energy by the rectenna to the sensor node.

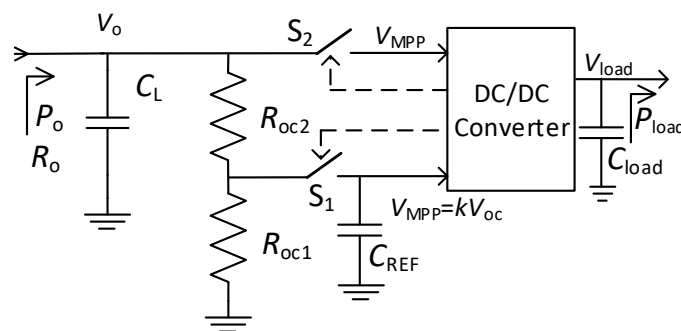


Figure 5. Block diagram for the implementation of the fractional open circuit voltage maximum power point tracking technique.

In order to periodically update V_{oc} (i.e., a change in P_{av} changes V_{oc}), the described sequence is periodically repeated, with the sampling period being much shorter than the regulation period. In this way, V_o will settle most of time at V_{MPP} . To increase the efficiency at light loads, the DC/DC converter uses special control techniques such as pulse frequency modulation (PFM) or burst-mode [36].

Taking into account (22), P_{load} can be related with P_{av} as follows:

$$P_{load} = \eta_T P_{av}. \quad (23)$$

The value of P_{load} and thus of P_{av} must be enough, in average, to power the sensor node, which usually includes a rechargeable storage unit. This unit accounts for the variability of P_{av} , gathering or providing energy whenever P_{av} is higher or lower than required. Storage units can be supercapacitors, batteries, or a combination of both [37]. On the other hand, the required value of P_{load} and thus of P_{av} can be reduced by operating the sensor node in sleep mode most of the time and minimizing its active time.

4. Materials and Methods

The rectenna shown in Figure 2 was implemented on a printed circuit board with Rogers substrate and with the following components: $C_m = 0.5$ pF (AVX, Fountain Inn, SC, USA), $L_m = 27$ nH (0603CS model, Coilcraft, Cary, IL, USA), $C_o = 1$ nF, and a Schottky HSMS-2850 diode (Avago Technologies, San Jose, CA, USA) [33]. The selected value of C_o comfortably accomplished, in order to theoretically have a small ripple (below 1 mV) with the values of I_o shown later in Section 5, as well as the condition stated in Appendix A ($C_o \gg C_j$). The circuit of Figure 2 was used for the rectenna characterization, where an RF generator (Agilent E4433B, Santa Clara, CA, USA) was connected at the input instead of the antenna and a Source Measure Unit (SMU, Agilent B2901A, Santa Clara, CA, USA) configured as a voltage sink (quadrant IV) at the output. The generator was set at a tuned optimal frequency of 808 MHz and at different values of P_{av} (−30 dBm, −20 dBm, and −10 dBm). For each value of P_{av} , the SMU was set at different values of V_o while measuring P_o . Then, η_{rect} was obtained as P_o/P_{av} .

As for the FOCV MPPT, a BQ25504 chip (Texas Instruments, Dallas, TX, USA) was used, and in particular an evaluation board provided by the manufacturer. The chip contains a boost converter with PFM control and the board includes, in reference to Figure 5, $C_L = 4.8$ μ F (combination of two ceramic capacitors of 4.7 μ F and 100 nF placed in parallel), $C_{REF} = 10$ nF, and $C_{load} = 104.8$ μ F (combination of three ceramic capacitors of 100 μ F, 4.7 μ F, and 100 nF placed in parallel). The default values of R_{oc1} and R_{oc2} were modified to 10 M Ω in order to fix $k = 0.5$ (the default value is set to 0.78). The sampling and regulation periods are prefixed by the chip to 256 ms and 16 s, respectively. Then, the efficiency of the whole RF harvester (rectenna plus MPPT) was characterized by using the RF generator at the input of the rectenna and the SMU set at 3 V at the output of the MPPT (V_{load}). The RF generator was set at different values of P_{av} , from −20 dBm to −5 dBm in steps of 1 dBm, and for each value the SMU measured the output power P_{load} . Then, from (23), η_T was estimated.

For demonstration purposes, the RF harvester including the MPPT was also employed to power a sensor node intended to upgrade a mechanical gas meter to a smart device [38]. For these tests, the node was programmed to stay in a standby mode, consuming 1.4 μ A. The input power (P_{av}) was set to keep the voltage supply of the sensor node (V_{load}) at 3 V, thus $P_{load} = 4.2$ μ W. As for the RF harvester input, two configurations were used: (1) an RF generator and (2) a receiving monopole antenna. In the second case, another identical monopole antenna was connected to a nearby RF generator, jointly acting as a wireless energy transmitter. The antennas showed an insertion loss higher than 10 dB at 808 MHz. Figure 6 shows pictures of both setups.

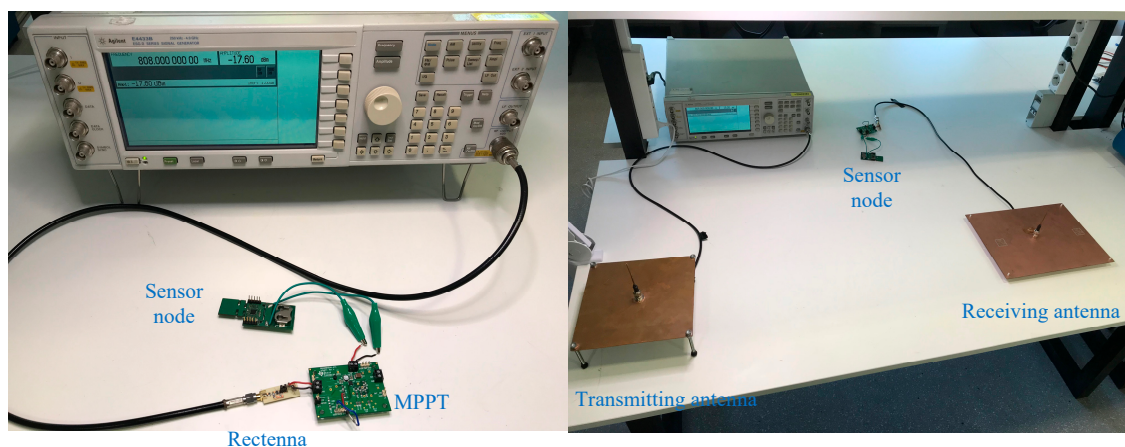


Figure 6. Picture of the setups for powering the sensor node using, for the RF harvester input, (left) the RF generator or (right) a monopole antenna.

5. Experimental Results and Discussion

As for the proposed rectenna, Figure 7 shows the measured values (in dots) of I_o (blue circles) and η_{rect} (red squares) as a function of V_o at different values of P_{av} . A least-squares fitting of (17) to the experimental data of I_o was performed (blue continuous line) to obtain the Thévenin parameters (V_{oc} and R_T) at each power level, which are shown in Table 1. Calculated values of V_{ap} , from (1), and of V_{eqp} , from (15), are also included in Table 1. This fitting differs from that performed in [32], where the efficiency data (η_{rect}) were used instead, which leads to slight differences in the Thévenin parameters. The new fitting procedure was considered more convenient as both V_{oc} and R_T can be more easily inferred from the fitting curve. As can be seen, the fitting curves match well the experimental data, and more at the highest power of -10 dBm, which confirms that the rectenna can be well approximated by a Thévenin equivalent circuit. Then, V_{oc} and R_T were used to obtain η_{rect} using (19), and the resulting curves are also represented in Figure 7 (red continuous line). The match with the experimental data is good, and again better at -10 dBm.

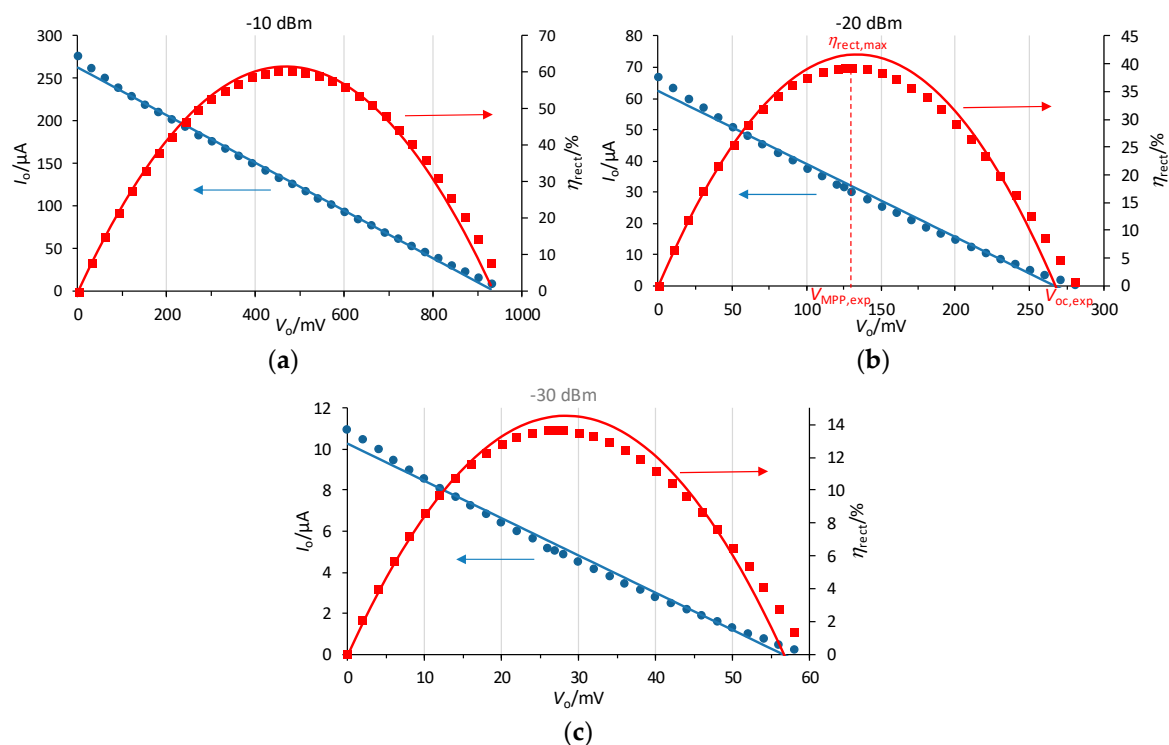


Figure 7. Measured values (dots) and least-squares fittings (continuous lines) of I_o and η_{rect} versus V_o for the rectenna at P_{av} equal to (a) -10 dBm, (b) -20 dBm, and (c) -30 dBm.

Table 1. Inferred values of V_{oc} and R_T and calculated values of V_{eqp} at different values of P_{av} .

P_{av} (dBm)	V_{ap} (mV)	V_{oc} (mV)	R_T (k Ω)	V_{eqp} (mV)
-10	200 mV	937	3.56	1183
-20	63.2 mV	268	4.29	374
-30	20.0 mV	56.6	5.51	118.3

With $C_m = 0.5$ pF, $R_a = 50 \Omega$, and $f_o = 808$ MHz, $Q = 7.88$ results from (3), and $G_t = 3.97$ from (2). Then, from (16) and assuming the value of $R_p = 9.21$ k Ω derived in Appendix A, $R_T = 4.7$ k Ω is obtained, which is within the range of values found in Table 1. The inferred values of R_T moderately change with P_{av} due to the relative low value of Q , which limits the accuracy of the rectenna model proposed in Section 2. However, a higher value of Q , which could be obtained using a lower value of C_m and appropriately readjusting L_m , does not lead to the optimum gain G_t [33], thus decreasing

the power efficiency. On the other hand, V_{oc} in Table 1 increases with increasing P_{av} and thus V_{ap} , which agrees with (16). The values of V_{oc} can be estimated in advance, when necessary, from (16) by calculating V_{eqp} from (15), shown in Table 1, and inferring a value of V_{γ} from the manufacturer data or from simulations.

From the measured data of η_{rect} (red squares in Figure 7), Table 2 shows the achieved $\eta_{rect,max}$ and its corresponding voltage ($V_{MPP,exp}$), as well as the experimental open circuit voltage ($V_{oc,exp}$) of the rectenna. In Figure 7, $\eta_{rect,max}$, $V_{MPP,exp}$, and $V_{oc,exp}$ are also marked for $P_{av} = -20$ dBm. As can be seen, $\eta_{rect,max}$ increases with increasing P_{av} , ranging from 13.6% at -30 dBm to 60.3% at -10 dBm, which agrees with (21). The values of $\eta_{rect,max}$ can be estimated in advance, when necessary, from (21) and inferring a value of V_{γ} from the manufacturer data or from simulations. One particular case is the upper limit, which would be achieved for $P_{av} \rightarrow \infty$ (or $V_{\gamma} \rightarrow 0$), in our case 74%. The resulting efficiencies ($\eta_{rect,max}$) are among the highest published in the literature for similar designs [33]. On the other hand, V_{oc} from Table 1 nearly matches $V_{oc,exp}$. Finally, $V_{MPP,exp}$ equates or nearly matches $0.5 V_{oc,exp}$, the regulated voltage at the input of the MPPT. Thus, the proposed and implemented MPPT will be able to extract the maximum power (or nearly) from the rectenna.

Table 2. Experimental values of $\eta_{rect,max}$, $V_{MPP,exp}$, and $V_{oc,exp}$ at different values of P_{av} .

P_{av} (dBm)	$\eta_{rect,max}$ (%)	$V_{MPP,exp}$ (mV)	$V_{oc,exp}$ (mV)
-10	60.3	480	960
-20	39.3	130	280
-30	13.6	27	60

As for the whole RF harvester (rectenna plus the MPPT), Figure 8 shows the experimental values of η_T versus P_{av} . At -20 dBm, $\eta_{rect,max} = 39.3\%$ (Table 2) but $\eta_T = 6.5\%$, resulting, from (22), in $\eta_{MPPT} = 16.5\%$. This low value of η_{MPPT} is due to both a low input voltage value (140 mV = $0.5 V_{oc,exp}$) and a low value of P_o ($3.9 \mu W = \eta_{rect,max} P_{av}$). Contrariwise, at -10 dBm, $\eta_{rect,max} = 60.3\%$ and $\eta_T = 48.6\%$, resulting in $\eta_{MPPT} = 80.6\%$, which agrees with the data from the BQ25504 chip's datasheet. At higher values of P_{av} (-5 dBm), η_T reached a value of 55.6%. Compared to [6], where a similar chip for the MPPT was used, η_T is quite higher.

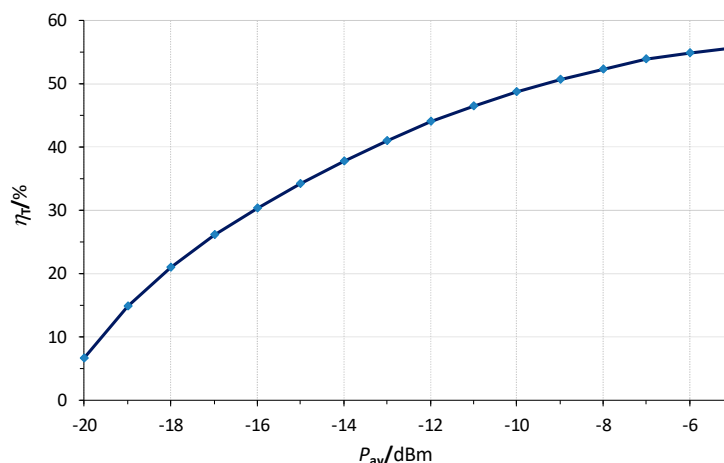


Figure 8. Overall efficiency (η_T) of the RF harvester.

When powering the sensor node, the required value of P_{av} was -17.6 dBm. This value fits well with (23), considering the corresponding efficiency in Figure 8 ($\approx 24\%$). This performance was also tested with the antennas at a distance of 0.5 and 1 m. The power output of the remote RF generator was tuned at appropriate values so as to operate the node, resulting in 8.0 and 13.2 dBm, respectively. These values accounted for the respective link budgets.

6. Conclusions

This work proposed a compact Thévenin model for a rectenna and its application for designing a high-efficiency RF harvester. The rectenna under study consists of an L-matching network and a half-wave rectifier. Explicit expressions for the Thévenin voltage and resistance were derived that offer insight into the operation of the rectenna. An expression was also provided for the power efficiency. The rectenna was implemented and characterized from -30 to -10 dBm at 808 MHz and the results mainly agreed with the derived model, with differences arising from the limited Q factor of the matching network. High efficiencies were obtained, in particular 60% at -10 dBm. Then, an ensuing MPPT was also added, where the behavior of the rectenna as an equivalent Thévenin circuit allowed the use of a simple FOCV technique. The whole RF harvester (rectenna plus MPPT) showed an overall efficiency near 50% at -10 dBm. Further tests were performed with a nearby transmitting antenna for powering a sensor node with a power consumption of $4.2 \mu\text{W}$.

Author Contributions: Conceptualization, M.G.; Formal analysis, M.G. and F.R.; Funding acquisition, M.G. and F.R.; Investigation, M.G. and E.R.-V.; Methodology, M.G.; Project administration, M.G. and F.R.; Writing—original draft, M.G.; Writing—review and editing, M.G. and F.R.

Funding: This work was supported by the Secretariat of University and Research of the Ministry of Business and Knowledge of the Government of Catalonia, by the Spanish State Research Agency (AEI) and by the European Regional Development Fund under Project TEC2016-76991-P.

Acknowledgments: The authors wish to thank Josep Jordana, Francesc-Josep Robert, and Jordi Berenguer for their initial support, and the Castelldefels School of Telecommunications and Aerospace Engineering, Barcelona, Spain, for the RF instrumentation needed to perform the experiments.

Conflicts of Interest: The authors declare no conflict of interest.

Appendix A. Parallel Circuit Model of the Inductor and Diode

The use of a matching network leads to sinusoidal voltage and current waveforms at f_o , as mentioned in Section 2. Here, the equivalent circuit model at f_o is derived from the manufacturer models of the diode (<https://docs.broadcom.com/docs/AV02-1377EN>) and inductor (https://www.coilcraft.com/pdfs/spice_0603cs.pdf) used for the implemented rectenna and reported in Section 4. This model will be used in the left-hand circuit of Figure 3.

First, the left-hand circuit in Figure A1 shows the equivalent linear circuit model of the diode, connected between node A and the V_o node at Figure 2, together with the output capacitor C_o , where R_s is the parasitic series resistance, C_j is the parasitic junction capacitance, and R_j is the junction resistance. R_j depends inversely on the bias current and makes only sense for modelling small current variations around a bias current. In our case, the diode current is pulsed and thus the inclusion of R_j is not appropriate. Instead, a constant voltage drop will be assumed in Section 2 for the analysis of the circuit of Figure 4.

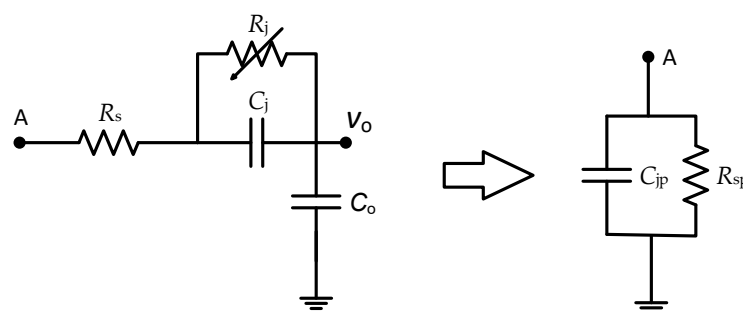


Figure A1. Equivalent linear circuit model of the HSMS-2850 diode together with (left) the output capacitor C_o and (right) its parallel equivalent circuit.

Using the series-to-parallel equivalent circuit transformation for the left-hand circuit of Figure A1 without R_j and considering $C_o \gg C_j$, the right-hand circuit results, where:

$$R_{sp} = R_s \frac{R_s^2 C_j^2 \omega_0^2 + 1}{R_s^2 C_j^2 \omega_0^2}, \quad (A1)$$

$$C_{jp} = \frac{C_j}{R_s^2 C_j^2 \omega_0^2 + 1}. \quad (A2)$$

From the diode datasheet, $R_s = 25 \Omega$ and $C_{j0} = 0.18 \text{ pF}$ (C_{j0} is C_j at zero bias and will be the assumed value for C_j hereafter). With $f_o = 808 \text{ MHz}$, $R_{sp} = 47.9 \text{ k}\Omega$ results from (A1) and $C_{jp} \approx C_j = 180 \text{ fF}$ results from (A2).

As for the inductor, connected between node A and ground at Figure 2, the left-hand circuit of Figure A2 shows the manufacturer model, where $R_v = k\sqrt{f_o}$. Using the series-to-parallel circuit transformation, the circuit in the middle is obtained, where:

$$L_{mp} = L_m \left[1 + \left(\frac{R_v}{\omega_0 L_m} \right)^2 \right]. \quad (A3)$$

$$R_{vp} = R_v \left[1 + \left(\frac{\omega_0 L_m}{R_v} \right)^2 \right], \quad (A4)$$

$$R_{1p} = R_1 \frac{R_1^2 C_1^2 \omega_0^2 + 1}{R_1^2 C_1^2 \omega_0^2}, \quad (A5)$$

$$C_{1p} = \frac{C_1}{R_1^2 C_1^2 \omega_0^2 + 1}. \quad (A6)$$

From the coil datasheet, $R_1 = 17 \Omega$, $R_2 = 30 \text{ m}\Omega$, $C_1 = 49 \text{ fF}$, $L_m = 27 \text{ nH}$, and $k = 5.75 \times 10^{-5}$. At 808 MHz, $R_v = 1.63 \Omega$ and from (A3) to (A6), $L_{mp} \approx L_m = 27 \text{ nH}$, $R_{vp} = 11.5 \text{ k}\Omega$, $R_{1p} = 950 \text{ k}\Omega$, and $C_{1p} \approx C_1 = 49 \text{ fF}$. Then, neglecting R_2 , since it is very small, the right-hand circuit of Figure A2 is obtained, where $R_{Lp} = R_{vp} \parallel R_{1p} = 11.4 \text{ k}\Omega$.

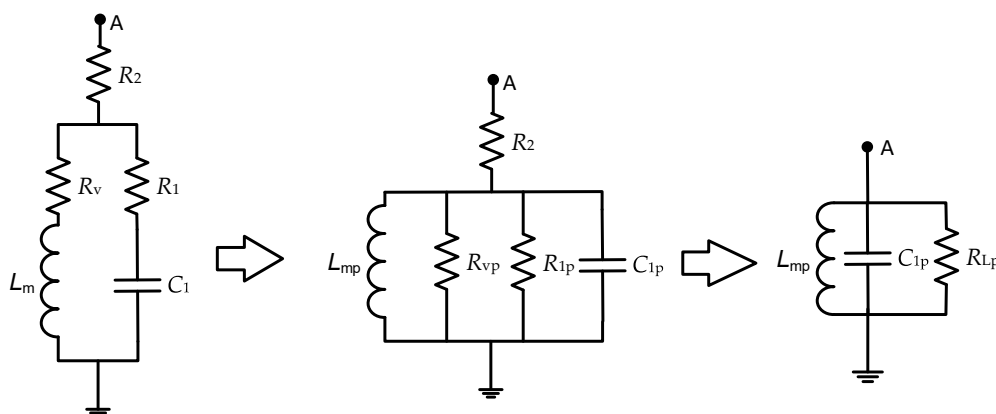


Figure A2. (left) Manufacturer model of the inductor and (middle and right) equivalent circuits.

Joining the right-hand circuits in Figures A1 and A2, and considering the parasitic capacitance from node A to ground arising from the layout (C_{lay}), the circuit in Figure A3 is obtained, where:

$$R_p = R_{sp} \parallel R_{Lp} = 9.21 \text{ k}\Omega, \quad (A7)$$

$$C_p = C_{jp} + C_{1p} + C_{lay}. \quad (A8)$$

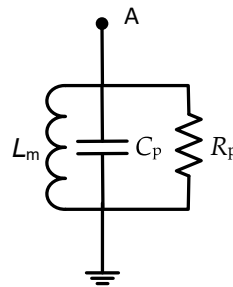


Figure A3. Parallel equivalent circuit of the inductor.

This equivalent circuit is used in the left-hand circuit of Figure 3.

Appendix B. Simulations of the Rectenna Efficiency with and without an L-Matching Network

In order to highlight the benefits of using a matching network, we report simulation results of the rectenna efficiency with and without an L-matching network. For the simulations, the ADS software (Version 2017, Keysight, Santa Rosa, CA, USA) was used. The simulated circuit with the matching network was that of Figure 2 with a resistor R_o connected at its output, in parallel with C_o . Ideal components were used for the matching network with the values reported in Section 4. The diode was modelled without parasitic elements (null series resistance and junction capacitance) but with a saturation current of $3 \mu\text{A}$ (that corresponding to the HSMS-2850 diode used for the implemented rectenna). For the RF source, a frequency of 808 MHz (that used for the experiments) was used with P_{av} ranging from -10 to 50 dBm in steps of 20 dB. For the circuit without the matching network, the right terminal of R_a was directly connected to the diode anode (node A). For both circuits, a harmonic balance analysis was performed with P_{av} and R_o as sweeping parameters.

Figure A4 shows the simulation results of the rectenna efficiency ($\eta_{rect} = P_o/P_{av}$) plotted against R_o for different values of P_{av} . The left graph shows the results for the circuit with the L-matching network. As can be seen, η_{rect} steeply increases for increasing values of P_{av} , achieving around 99% at $P_{av} = 50$ dBm. At -10 dBm, efficiency is higher than the corresponding results of Figure 7 because ideal components were used for the simulation. On the other hand, the right graph shows the results for the circuit without the L-matching network. As can be seen, η_{rect} steeply increases for increasing values of P_{av} but now reaches a maximum value around 46% , as predicted theoretically in [35], due to the additional losses at R_a originated by the current harmonics generated by the diode pulsed current. At -10 dBm, efficiency is lower than 4% . Therefore, the use of the matching network allows a notable increase in the rectenna efficiency, because it provides voltage gain and prevents any of the DC current and harmonics to flow through the antenna resistance.

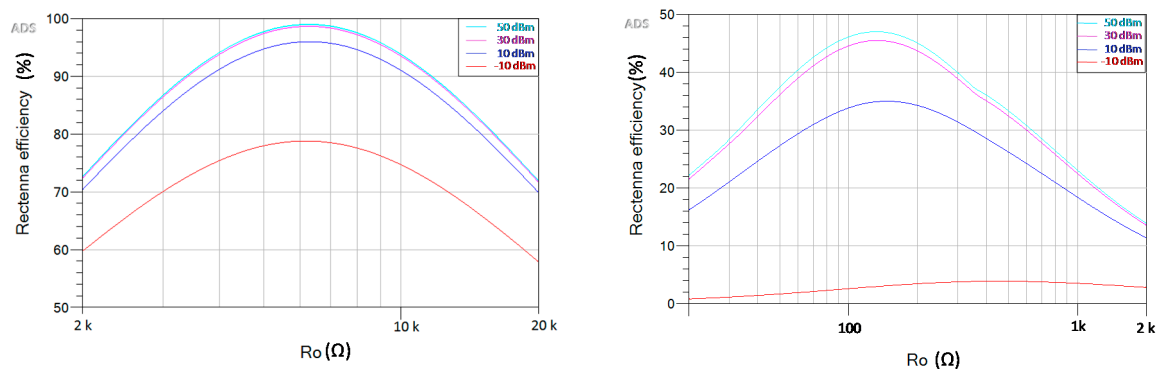


Figure A4. Rectenna efficiency for the circuit (left) with and (right) without the matching network.

References

1. Shameli, A.; Safarian, A.; Rofougaran, A.; Rofougaran, M.; De Flaviis, F. Power Harvester Design for Passive UHF RFID Tag Using a Voltage Boosting Technique. *IEEE Trans. Microw. Theory Tech.* **2007**, *55*, 1089–1097. [[CrossRef](#)]
2. Sample, A.; Smith, J.R. Experimental results with two wireless power transfer systems. In Proceedings of the 2009 IEEE Radio and Wireless Symposium, San Diego, CA, USA, 18–22 January 2009; pp. 16–18.
3. Attaran, A.; Rashidzadeh, R.; Muscedere, R. Chipless RFID tag using RF MEMS switch. *Electron. Lett.* **2014**, *50*, 1720–1722. [[CrossRef](#)]
4. Álvarez López, Y.; Franssen, J.; Álvarez Narciandi, G.; Pagnozzi, J.; González-Pinto Arrillaga, I.; Las-Heras Andrés, F. RFID Technology for Management and Tracking: E-Health Applications. *Sensors* **2018**, *18*, 2663. [[CrossRef](#)] [[PubMed](#)]
5. Singh, G.; Ponnaganti, R.; Prabhakar, T.V.; Vinoy, K.J. A tuned rectifier for RF energy harvesting from ambient radiations. *AEU-Int. J. Electron. Commun.* **2013**, *67*, 564–569. [[CrossRef](#)]
6. Talla, V.; Kellogg, B.; Ransford, B.; Naderiparizi, S.; Gollakota, S.; Smith, J.R. Powering the Next Billion Devices with Wi-Fi. In Proceedings of the 11th ACM Conference on Emerging Networking Experiments and Technologies, Heidelberg, Germany, 1–4 December 2015.
7. Piñuela, M.; Mitcheson, P.D.; Lucyszyn, S. Ambient RF energy harvesting in urban and semi-urban environments. *IEEE Trans. Microw. Theory Tech.* **2013**, *61*, 2715–2726. [[CrossRef](#)]
8. Di Marco, P.; Stornelli, V.; Ferri, G.; Pantoli, L.; Leoni, A. Dual band harvester architecture for autonomous remote sensors. *Sens. Actuators A Phys.* **2016**, *247*, 598–603. [[CrossRef](#)]
9. Shaker, G.; Chen, R.; Milligan, B.; Qu, T. Ambient electromagnetic energy harvesting system for on-body sensors. *Electron. Lett.* **2016**, *52*, 1834–1836. [[CrossRef](#)]
10. Stoopman, M.; Keyrouz, S.; Visser, H.J.; Philips, K.; Serdijn, W.A. Co-design of a CMOS rectifier and small loop antenna for highly sensitive RF energy harvesters. *IEEE J. Solid-State Circuits* **2014**, *49*, 622–634. [[CrossRef](#)]
11. Soltani, N.; Yuan, F. A High-Gain Power-Matching Technique for Efficient Radio-Frequency Power Harvest of Passive Wireless Microsystems. *IEEE Trans. Circuits Syst. I Regul. Pap.* **2010**, *57*, 2685–2695. [[CrossRef](#)]
12. Curty, J.-P.; Joehl, N.; Krummenacher, F.; Dehollain, C.; Declercq, M.J. A model for u-power rectifier analysis and design. *IEEE Trans. Circuits Syst. I Regul. Pap.* **2005**, *52*, 2771–2779. [[CrossRef](#)]
13. Jordana, J.; Reverter, F.; Gasulla, M. Power Efficiency Maximization of an RF Energy Harvester by Fine-tuning an L-matching Network and the Load. *Procedia Eng.* **2015**, *120*, 655–658. [[CrossRef](#)]
14. Abouzied, M.A.; Ravichandran, K.; Sanchez-Sinencio, E. A Fully Integrated Reconfigurable Self-Startup RF Energy-Harvesting System With Storage Capability. *IEEE J. Solid-State Circuits* **2017**, *52*, 704–719. [[CrossRef](#)]
15. Nimo, A.; Grgić, D.; Reindl, L.M. Optimization of Passive Low Power Wireless Electromagnetic Energy Harvesters. *Sensors* **2012**, *12*, 13636–13663. [[CrossRef](#)]
16. Chaour, I.; Fakhfakh, A.; Kanoun, O. Enhanced Passive RF-DC Converter Circuit Efficiency for Low RF Energy Harvesting. *Sensors* **2017**, *17*, 546. [[CrossRef](#)] [[PubMed](#)]
17. Scorcioni, S.; Larcher, L.; Bertacchini, A. Optimized CMOS RF-DC converters for remote wireless powering of RFID applications. In Proceedings of the 2012 IEEE International Conference on RFID (RFID), Orlando, FL, USA, 3–5 April 2012; pp. 47–53.
18. De Carli, L.G.; Juppa, Y.; Cardoso, A.J.; Galup-Montoro, C.; Schneider, M.C. Maximizing the Power Conversion Efficiency of Ultra-Low-Voltage CMOS Multi-Stage Rectifiers. *IEEE Trans. Circuits Syst. I Regul. Pap.* **2015**, *62*, 967–975. [[CrossRef](#)]
19. Soyata, T.; Copeland, L.; Heinzelman, W. RF Energy Harvesting for Embedded Systems: A Survey of Tradeoffs and Methodology. *IEEE Circuits Syst. Mag.* **2016**, *16*, 22–57. [[CrossRef](#)]
20. Agrawal, S.; Pandey, S.K.; Singh, J.; Parihar, M.S. Realization of efficient RF energy harvesting circuits employing different matching technique. In Proceedings of the Fifteenth International Symposium on Quality Electronic Design, Santa Clara, CA, USA, 3–5 March 2014; pp. 754–761.
21. Wilas, J.; Jirasereamornkul, K.; Kumhom, P. Power harvester design for semi-passive UHF RFID Tag using a tunable impedance transformation. In Proceedings of the 2009 9th International Symposium on Communications and Information Technology, Icheon, Korea, 28–30 September 2009; pp. 1441–1445.

22. Paing, T.; Shin, J.; Zane, R.; Popovic, Z. Resistor Emulation Approach to Low-Power RF Energy Harvesting. *IEEE Trans. Power Electron.* **2008**, *23*, 1494–1501. [[CrossRef](#)]
23. Dolgov, A.; Zane, R.; Popovic, Z. Power Management System for Online Low Power RF Energy Harvesting Optimization. *IEEE Trans. Circuits Syst. I Regul. Pap.* **2010**, *57*, 1802–1811. [[CrossRef](#)]
24. Saini, G.; Sarkar, S.; Arrawatia, M.; Baghini, M.S. Efficient power management circuit for RF energy harvesting with 74.27% efficiency at 623 nW available power. In Proceedings of the 2016 14th IEEE International New Circuits and Systems Conference (NEWCAS), Vancouver, BC, Canada, 26–29 June 2016; pp. 1–4.
25. Pizzotti, M.; Perilli, L.; del Prete, M.; Fabbri, D.; Canegallo, R.; Dini, M.; Masotti, D.; Costanzo, A.; Franchi Scarselli, E.; Romani, A. A Long-Distance RF-Powered Sensor Node with Adaptive Power Management for IoT Applications. *Sensors* **2017**, *17*, 1732. [[CrossRef](#)] [[PubMed](#)]
26. Barnett, R.E.; Liu, J.; Lazar, S. A RF to DC Voltage Conversion Model for Multi-Stage Rectifiers in UHF RFID Transponders. *IEEE J. Solid-State Circuits* **2009**, *44*, 354–370. [[CrossRef](#)]
27. Razavi Haeri, A.A.; Karkani, M.G.; Sharifkhani, M.; Kamarei, M.; Fotowat-Ahmady, A. Analysis and design of power harvesting circuits for ultra-low power applications. *IEEE Trans. Circuits Syst. I Regul. Pap.* **2017**, *64*, 471–479. [[CrossRef](#)]
28. Ou, J.H.; Zheng, S.Y.; Andrenko, A.S.; Li, Y.; Tan, H.Z. Novel Time-Domain Schottky Diode Modeling for Microwave Rectifier Designs. *IEEE Trans. Circuits Syst. I Regul. Pap.* **2018**, *65*, 1234–1244. [[CrossRef](#)]
29. Marian, V.; Adami, S.E.; Vollaie, C.; Allard, B.; Verdier, J. Wireless Energy Transfer Using Zero Bias Schottky Diodes Rectenna Structures. *Adv. Mater. Res.* **2011**, *324*, 449–452. [[CrossRef](#)]
30. Saini, G.; Arrawatia, M.; Sarkar, S.; Baghini, M.S. A battery-less power management circuit for RF energy harvesting with input voltage regulation and synchronous rectification. In Proceedings of the 2015 IEEE 58th International Midwest Symposium on Circuits and Systems (MWSCAS), Fort Collins, CO, USA, 2–5 August 2015; pp. 1–4.
31. Marian, V.; Allard, B.; Vollaie, C.; Verdier, J. Strategy for Microwave Energy Harvesting From Ambient Field or a Feeding Source. *IEEE Trans. Power Electron.* **2012**, *27*, 4481–4491. [[CrossRef](#)]
32. Gasulla, M.; Robert, F.J.; Jordana, J.; Ripoll-Vercellone, E.; Berenguer, J.; Reverter, F. A High-Efficiency RF Harvester with Maximum Power Point Tracking. *Proceedings* **2018**, *2*, 1049. [[CrossRef](#)]
33. Gasulla, M.; Jordana, J.; Robert, F.-J.; Berenguer, J. Analysis of the Optimum Gain of a High-Pass L-Matching Network for Rectennas. *Sensors* **2017**, *17*, 1712. [[CrossRef](#)] [[PubMed](#)]
34. Gutmann, R.J.; Borrego, J.M. Power Combining in an Array of Microwave Power Rectifiers. *IEEE Trans. Microw. Theory Tech.* **1979**, *27*, 958–968. [[CrossRef](#)]
35. Gutmann, R.J.; Borrego, J.M. *Solar Power Satellite Rectenna Design Study: Directional Receiving Elements and Parallel-Series Combining Analysis*; NASA Final Rep. NAS9-15453, Chapter 3; Rensselaer Polytechnic Inst.: Troy, NY, USA, 1978.
36. Reverter, F.; Gasulla, M. Optimal Inductor Current in Boost DC/DC Converters Regulating the Input Voltage Applied to Low-Power Photovoltaic Modules. *IEEE Trans. Power Electron.* **2017**, *32*, 6188–6196. [[CrossRef](#)]
37. Penella, M.T.; Gasulla, M. Runtime Extension of Low-Power Wireless Sensor Nodes Using Hybrid-Storage Units. *IEEE Trans. Instrum. Meas.* **2010**, *59*, 857–865. [[CrossRef](#)]
38. Ripoll-Vercellone, E.; Ferrandiz, V.; Gasulla, M. An Add-On Electronic Device to Upgrade Mechanical Gas Meters into Electronic Ones. *Proceedings* **2018**, *2*, 1094. [[CrossRef](#)]

