

Hydrocephalus and diffuse choroid plexus hyperplasia in primary ciliary dyskinesia-related MCIDAS mutation

Evie Alexandra Robson, MBBS, MRCPCH, MSc, Luke Dixon, MBBS, BSc, FRCP, Liam Causon, William Dawes, BSc, FRCS(SN), PhD, Massimo Benenati, MD, Mahmoud Fassad, PhD, Robert Anthony Hirst, BSc, PhD, Priti Kenia, MBBS, MD, MRCPCH, MD, Eduardo Fernandez Moya, LMS, MRCPCH, Mitali Patel, BSc, MSc, Daniel Peckham, MBBS, DM, FRCP, Andrew Rutman, CBIOL, MRSB, Hannah M. Mitchison, BSc, PhD, Kshitij Mankad, MRCP, FRCP,* and Christopher O'Callaghan, BMed Sci, BMBS, FRCPCH, PhD, DM*

Correspondence
Dr. Robson
evie.robson@nhs.net

Neurol Genet 2020;6:e482. doi:10.1212/NXG.0000000000000482

Abstract

Objective

To report a neuroradiologic phenotype associated with reduced generation of multiple motile cilia (RGMC) and mutations in the *multicilin* gene. We hypothesize that the observed phenotype may reflect the emerging role that ependymal cilia play in regulating CSF production.

Method

Clinical and radiologic records were retrospectively reviewed for 7 consecutive patients diagnosed by the Leicester UK national primary ciliary dyskinesia (PCD) diagnostic laboratory.

Results

On MRI scanning, all patients demonstrated hydrocephalus, choroid plexus hyperplasia (CPH), and arachnoid cysts. No patient had any sign of neurologic deficit. All patients had significant lung disease.

Conclusions

We conclude that there is a high incidence of hydrocephalus, arachnoid cysts, and CPH in MCIDAS-associated RGMC. In all cases, the observed hydrocephalus seems arrested in childhood without progression or adverse neurologic sequelae. Our new observation of CPH, which is associated with CSF overproduction, is the first macroscopic evidence that ependymal cilia may be involved in the regulation of CSF production and flow. We suggest that brain imaging should be performed in all cases of RGMC and that a diagnosis of PCD or RGMC be strongly considered in patients with unexplained hydrocephalus and a lifelong “wet”-sounding cough.

*Joint senior authors.

From the North of England Paediatric Primary Ciliary Dyskinesia Management Service (E.A.R., E.F.M., D.P.), Leeds General Infirmary, Great George Street, UK; Department of Radiology (L.D., W.D., M.B., K.M.), Great Ormond Street Hospital for Children, London, UK; Centre for PCD Diagnosis and Research (R.A.H., A.R., C.O.), Department of Respiratory Sciences, University of Leicester, Robert Kilpatrick Clinical Sciences Building, Leicester Royal Infirmary, UK; Birmingham Women's and Children's Hospital (L.C., P.K.), Steelhouse Lane, Birmingham, UK; Genetics and Genomic Medicine Programme (M.F., H.M.), University College London, UCL Great Ormond Street Institute of Child Health, London, UK; Department of Human Genetics (M.F.), Medical Research Institute, Alexandria University, El-Hadra, Alexandria, Egypt; The North of England Adult Primary Ciliary Dyskinesia Management Service, St James's University Hospital, Leeds, UK; and UCL Great Ormond Street Institute of Child Health & NIHR GOSH BRC (C.O.), London, UK.

Go to [Neurology.org/NG](https://www.neurology.org/NG) for full disclosures. Funding information is provided at the end of the article.

The Article Processing Charge was funded by the authors.

This is an open access article distributed under the terms of the Creative Commons Attribution-NonCommercial-NoDerivatives License 4.0 (CC BY-NC-ND), which permits downloading and sharing the work provided it is properly cited. The work cannot be changed in any way or used commercially without permission from the journal.

Glossary

CCNO = Cyclin O; **CPH** = choroid plexus hyperplasia; **MCIDAS** = multiciliate differentiation and DNA synthesis associated cell cycle protein; **PCD** = primary ciliary dyskinesia; **RGMC** = reduced generation of multiple motile cilia.

Primary ciliary dyskinesia (PCD) is a rare heterogeneous group of disorders causing abnormal motile ciliary function, with defective mucociliary clearance leading to lung and sinonasal disease. Hydrocephalus is common in small animals with PCD and is believed to be due to defective ependymal cilia, which in health, beat at approximately 40 Hz moving CSF.¹ Hydrocephalus is, however, rarely seen in human PCD.^{2,3}

Reduced generation of multiple motile cilia (RGMC) is recognized as a severe PCD phenotype which is associated with almost complete loss of motile cilia.⁴ Mutations in 3 genes have been identified as disease causing. Recessively, inherited RGMC-causing mutations are reported in *MCIDAS* encoding multicillin, an upstream regulator of human multiciliated cell differentiation,⁴ and in *CCNO* encoding cyclin O, which acts downstream on mother centriole generation and migration.⁵ More recently, dominantly inherited RGMC-causing mutations were reported in *FOXJ1* encoding the FOXJ1 transcription factor that also regulates multiciliogenesis but in a distinct pathway that is downstream of multiciliate differentiation and DNA synthesis associated cell cycle protein (MCIDAS) and works in parallel to Cyclin O (CCNO).¹⁰ Although hydrocephalus associated with RGMC has been reported, details of intracranial imaging are limited.²⁻⁹ Here, we report hydrocephalus and the novel finding of diffuse choroid plexus hyperplasia (CPH).

Methods

Retrospective cohort study for 7 consecutive patients diagnosed with MCIDAS by the Leicester UK national PCD diagnostic laboratory. Sanger DNA sequencing for individuals A and B was previously reported⁴ and next-generation targeted gene panel sequencing for C-E was performed as described previously.²⁰

Standard protocol approvals, registrations, and patient consents

Written informed consent was gained for data publication, along with Research Ethics Committee approval (REC ref: 18/LO/2085) for retrospective data collection for patients referred to the PCD national diagnostics service to allow evaluation and understanding of ciliary defects.

Data availability

Anonymized data and detailed methodology not published within this article may be shared by request to the senior author.

Cases

Patients A and B are term monozygotic twins, with South Asian first cousin parents. On day 7 of life, Twin B developed seizures that settled. Cranial ultrasound scan was reported to

be within normal limits, although mild dilatation of posterior horns of both lateral ventricles were noted.

Twin A required bilateral lung transplantation aged 16 years. An MRI scan investigating transient encephalopathy after transplant demonstrated hydrocephalus and CPH. Subsequent MRI of Twin B showed hydrocephalus and CPH (figure 1 and table). Neither sibling had neurologic symptoms or developmental delay.

Genetic testing revealed a biallelic homozygous nonsense mutation in *MCIDAS* (c.441C > A; p.Cys147*), as previously reported.⁴ Both siblings carried the same homozygous mutation, and segregation analysis showed parents to be carriers (see figure 2 for Sanger sequencing).

Patients C, D, and E are siblings born to Asian first cousin parents. Genetic testing revealed each child had a novel biallelic homozygous nonsense mutation in *MCIDAS*, c.1093C > T, p.Gln365* (figure 2). MRI scans showed that all 3 siblings had hydrocephalus and CPH (figure 1 and table). None of the siblings had neurologic signs or developmental delay.

Siblings F and G were born at term to first cousin parents who are paternal and maternal first cousins of siblings C, D, and E.

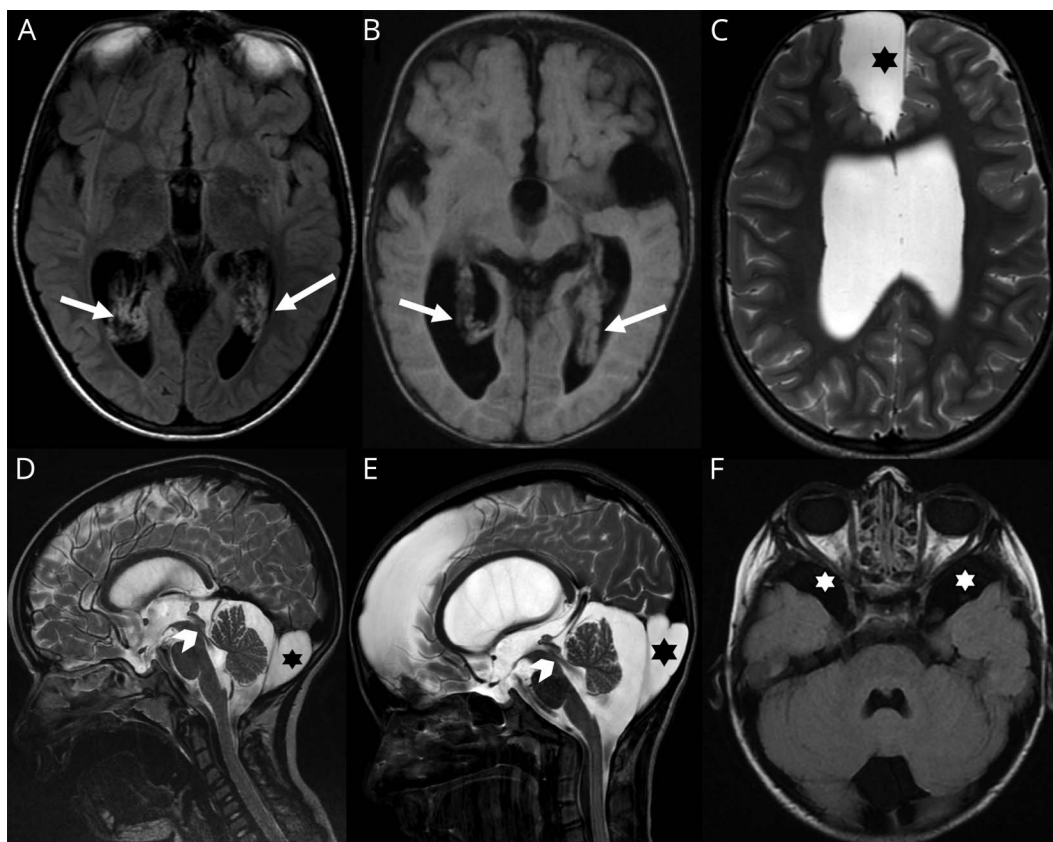
Sibling F was diagnosed antenatally with communicating hydrocephalus, whereas sibling G had increasing head circumference noted in infancy. Sibling G's first cranial ultrasound scan showed CPH with bitemporal arachnoid cysts. Follow-up ultrasound showed persistent CPH and increased CSF spaces, with increased lateral and 3rd ventricle dilation. Head circumference growth normalized. Subsequent MRI head scans of both siblings demonstrated hydrocephalus and CPH (figure 1 and table). Neither sibling had neurologic signs or developmental delay.

Genetic testing showed that both had *MCIDAS* biallelic homozygous nonsense mutation, c.1093C > T, p.Glu365*, identical to their first cousins, siblings C, D, and E (figure 2).

Discussion

Our series of *MCIDAS* mutations confirms a strong association with hydrocephalus⁵⁻⁸ and describes an additional finding of CPH. This differs from RGMC because of biallelic CCNO mutations, where only 10% demonstrated hydrocephalus. All children had accelerated lung disease and normal situs arrangement, indicating no functional role for *MCIDAS* in left-right determination consistent with the previous reports.⁴

Figure 1 Selection of images from the full study cohort



Images A, C, and E correspond with patient D; D and F, with patient G; and B, with patient F. Note (A) [axial FLAIR] and (B) [axial T1-WI] on different patients showing choroid plexus hyperplasia (arrows). High-resolution sagittal T2-WI (D, E) confirming CSF flow through the aqueduct of Sylvius (arrowheads) and large retro cerebellar arachnoid cyst in both cases (stars). Further arachnoid cysts were noted in other locations as shown in C (axial T2-WI) and F (axial FLAIR) within the anterior and middle cranial fossae respectively (stars).

The mechanisms causing hydrocephalus in RGMC remain unclear. It is suggested that CSF flow generated by rapidly beating ependymal cilia helps maintain patency of narrow sites of CSF passage in early postnatal development.² This is supported by the observation of stenosis of the cerebral aqueduct and other ventricular foramina in patients carrying mutations in *FOXJ1*, a transcription factor important for ciliogenesis.¹⁰

Although primary aqueduct stenosis can cause hydrocephalus, in some cases, it is believed to occur as a secondary phenomenon, resulting from hydrocephalus of different etiologies. Similarly, PCD mice with largely static ependymal cilia (*Ccdc151* knockout) developed hydrocephalus with patent aqueducts visible by micro-CT.^{11,12} None of our patients with *MCIDAS* had CSF pathway stenosis. This phenotype of hydrocephalus with open cerebral aqueduct suggests a different cause of hydrocephalus in RGMC, where ventricles are presumed to lack cilia compared with that of classic PCD where the cilia are present but dysmotile.

Ependymal cilia are believed to play important roles in CSF homeostasis, both through paracrine modulation¹³ and in host defense, clearing debris and cells from ependymal surfaces.¹⁴ The CSF microenvironment has been shown to affect choroid plexus

CSF production, for example, in a rat model of intraventricular hemorrhage. Karimy et al.¹⁵ demonstrated a 3-fold increase in CSF production secondary to toll-like receptor 4 (TLR4) activation within the choroid plexus epithelium. As such, changes in the CSF microenvironment secondary to loss of motile cilia may promote increased choroid plexus production of CSF.

An alternative explanation for the observed phenotype is that the absence of cilia affects ion transport across the choroid plexus epithelium.¹⁶ This theory is supported by mouse models with ependymal ciliogenesis defects, for example, *IFT88*-deficient *Tg737^{orpk}* mice defective for ependymal cilia assembly have CSF that shows an abnormal accumulation of intracellular cyclic adenosine monophosphat and aberrant regulation of intracellular pH and ion transport, a finding associated with upregulated CSF chloride transport and increased CSF production sufficient to cause hydrocephalus.¹⁶ Accumulation of cyclic adenosine monophosphat and increased transcytosis was also observed in a study using chloral hydrate to deciliate swine choroid plexus.^{17,18} In other mouse models affecting ependymal ciliogenesis, for example, *Kif3a* mutants deficient for a kinesin motor protein required for ciliary protein transport, hydrocephalus was observed in the neonatal period before the development of mature motile cilia.^{16,19} Based on

Table Summary of disease characteristics

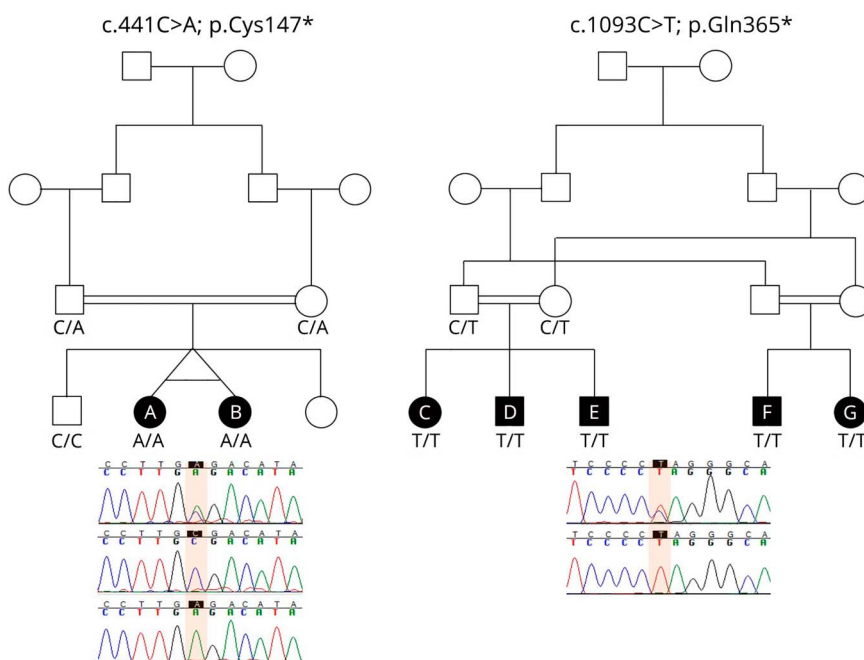
	Sibling set						
	1		2			3	
	A	B	C	D	E	F	G
Age at diagnosis (y)	3	3	1	1 m	3 m	6	5
nNO (ppb)	—	36	5, 7	30	10	12	9
Number of ciliary brushing samples	4	2	2	4	3	2	2
No cilia seen on high-speed video microscopy	Yes	Yes	Yes	Yes	Yes	Yes	Yes
No cilia seen on multiple airway biopsies or culture	Yes	Yes	Yes	Yes	Yes	Yes	Yes
Neonatal symptoms present	Yes	Yes	Yes	Yes	Yes	Yes	Yes
Accelerated respiratory disease	Yes	Yes	Yes	Yes	Yes	Yes	Yes
Situs status	Solitus	Solitus	Solitus	Solitus	Solitus	Solitus	Solitus
Hydrocephalus confirmed	Yes	Yes	Yes	Yes	Yes	Yes	Yes
Diffuse choroid plexus hyperplasia	Yes	Yes	Yes	Yes	Yes	Yes	Yes
Arachnoid cysts	Yes	Yes	Yes	Yes	Yes	Yes	Yes
Aqueduct patency	Patent	Patent	Patent	Patent	Patent	Patent	Patent
Age at MRI (y)	16	16	10	9	4	5m	5

this observation, it was suggested that hydrocephalus in these ependymal cilia mutant mice was secondary to choroid plexus CSF overproduction.^{16,19}

In our study, the observation of diffuse CPH in patients with *MCIDAS* mutation is, to our knowledge, the first structural, macroscopic evidence that supports the theory

that hydrocephalus in certain types of PCD is secondary to CSF overproduction. CPH is rare and is characterized by an enlarged morphologically normal choroid plexus, which is known to cause CSF overproduction and hydrocephalus. The mechanism by which *MCIDAS* and other proteins involved in ependymal ciliogenesis potentially cause CPH is possibly related to growing evidence that choroid plexus cilia

Figure 2 Familial segregation of *MCIDAS* mutations detected in reduced generation of multiple motile cilia families



Mutations were identified by next-generation gene panel sequencing of family members. The sequences of a carrier parent (top) and affected child (bottom) are shown for pedigree of C, D, E, F and G with the mutation highlighted in the box. Sequences for A and B were reported previously.^{4,20}

may regulate CSF production via effects on choroid plexus ependymal cells.

Our second observation of arachnoid cysts in patients with MCI-DAS mutation has not been previously reported. Cysts are possibly secondary to tears in the arachnoid from abnormal CSF flow or alternatively from adhesions after impaired clearance of CSF debris because of absent motile cilia. Despite abnormalities on neuroimaging, none of the MCIDAS-deficient patients had neurologic findings or developmental delay. This is likely related to relatively early development of hydrocephalus, when the brain is structurally compliant and able to compensate to high CSF pressures.

Conclusion

The observation of CPH in RGMC secondary to MCIDAS mutations provides further evidence that ependymal cilia are potentially involved in regulation of CSF production in addition to CSF flow. Our results suggest the process is not progressive but rather represents an arrested/stable state. This is clinically important because benefits of ventriculoperitoneal shunting in this patient group need to be carefully considered. We recommend that if unexplained hydrocephalus is found in patients with lifelong wet-sounding cough, referral for diagnostic testing for PCD and RGMC should be strongly considered. Similarly, cranial imaging is indicated in RGMC.

Study funding

This research article is supported by the NIHR GOSH BRC. The views expressed are those of the author(s) and not necessarily those of the NHS, the NIHR, or the Department of Health.

Disclosure

E.A. Robson, L. Dixon, L. Causon, W. Dawes, M. Benenati, M. Fassad, R. A. Hirst, P. Kenia, E.F. Moya, M. Patel, D. Peckham, A. Rutman, H. Mitchison, K. Mankad, and C. O'Callaghan report no disclosures relevant to the manuscript. Go to Neurology.org/NG for full disclosures.

Publication history

Received by *Neurology: Genetics* April 11, 2020. Accepted in final form June 9, 2020.

Appendix Authors

Name	Location	Contribution
Evie Alexandra Robson, MBBS, MRCPCH, MSc	Northern PCD management centre, Leeds, UK	Drafted and finalized the manuscript for intellectual content and major role in acquisition of data
Christopher O'Callaghan, BMed Sci, BMBS, FRCPCH, PhD, DM	University of Leicester, Leicester Royal Infirmary, Leicester, UK UCL Great Ormond Street Institute of Child Health, London, UK	Design and conceptualized the study, major role in the acquisition of data, and revised the manuscript for intellectual content

Appendix (continued)

Name	Location	Contribution
Kshitij Mankad, MRCP, FRCP	Great Ormond Street Hospital for Children, London, UK	Analyzed the data, interpreted the data, and revised the manuscript for intellectual content
William Dawes, BSc, FRCS(SN), PhD	Great Ormond Street Hospital for Children, London, UK	Interpreted the data and revised the manuscript for intellectual content
Luke Dixon, MBBS, BSc, FRCP	Great Ormond Street Hospital for Children, London, UK	Interpreted the data and revised the manuscript for intellectual content
Robert Anthony Hirst, BSc, PhD	University of Leicester, Robert Leicester Royal Infirmary, Leicester, UK	Interpreted the data and revised the manuscript for intellectual content
Andrew Rutman, CBiol, MRSB	University of Leicester, Leicester Royal Infirmary, Leicester, UK	Interpreted and analyzed the data
Hannah M. Mitchison, BSc, PhD	UCL Great Ormond Street Institute of Child Health, London, UK	Analyzed the data, interpreted the data, and revised the manuscript for intellectual content
Daniel Peckham, MBBS, DM, FRCP	Northern PCD management centre, Leeds, UK	Interpreted the data and revised the manuscript for intellectual content
Massimo Benenati, MD	Great Ormond Street Hospital for Children, London, UK	Interpreted and analyzed the data and revised the manuscript for intellectual content
Priti Kenia, MBBS, MD, MRCPCH, MD	Birmingham Women's and Children's Hospital, Birmingham, UK	Interpreted the data and revised the manuscript for intellectual content
Eduardo Fernandez Moya, LMS, MRCPCH	Northern PCD management centre, Leeds, UK	Interpreted the data and revised the manuscript for intellectual content
Liam Causon	Birmingham Women's and Children's Hospital, Birmingham UK	Major role in acquisition of data
Mahmoud Fassad, PhD	UCL Great Ormond Street Institute of Child Health, London, UK	Interpreted and analyzed the data
Mitali Patel, BSc, MSc	UCL Great Ormond Street Institute of Child Health, London, UK	Interpreted and analyzed the data

References

1. Chilvers MA, O'Callaghan C. Analysis of ciliary beat pattern and beat frequency using digital high speed imaging: comparison with the photomultiplier and photodiode methods. *Thorax* 2000;55:314–317.
2. Ibanez-Tallon I, Pagenstecher A, Fliegauf M, et al. Dysfunction of axonemal dynein heavy chain Mdnah5 inhibits ependymal flow and reveals a novel mechanism for hydrocephalus formation. *Hum Mol Genet* 2004;13:2133–2141.
3. Vieira JP, Lopes P, Silva R. Primary ciliary dyskinesia and hydrocephalus with aqueductal stenosis. *J Child Neurol* 2012;27:938–941.

4. Boon M, Wallmeier J, Ma L, et al. MCIDAS mutations result in a mucociliary clearance disorder with reduced generation of multiple motile cilia. *Nat Commun* 2014;5:4418.
5. Wallmeier J, Al-Mutairi DA, Chen CT, et al. Mutations in CCNO result in congenital mucociliary clearance disorder with reduced generation of multiple motile cilia. *Nat Genet* 2014;46:646–651.
6. Berlucchi M, de Santi MM, Bertoni E, Spinelli E, Timpano S, Padoan R. Ciliary aplasia associated with hydrocephalus: an extremely rare occurrence. *Eur Arch Otorhinolaryngol* 2012;269:2295–2299.
7. De Santi MM, Magni A, Valletta EA, Gardi C, Lungarella G. Hydrocephalus, bronchiectasis, and ciliary aplasia. *Arch Dis Child* 1990;65:543–544.
8. Amirav I, Wallmeier J, Loges NT, et al. Systematic analysis of CCNO variants in a defined population: implications for clinical phenotype and differential diagnosis. *Hum Mutat* 2016;37:396–405.
9. Afzelius BA. A human syndrome caused by immotile cilia. *Science* 1976;193:317–319.
10. Wallmeier J, Frank D, Shoemark A, et al. De novo mutations in FOXJ1 result in a motile ciliopathy with hydrocephalus and randomization of left/right body asymmetry. *Am J Hum Genet* 2019;105:1030–1039.
11. Chiani F, Orsini T, Gambadoro A, et al. Functional loss of Ccdc1 51 leads to hydrocephalus in a mouse model of primary ciliary dyskinesia. *Dis Model Mech* 2019;12: dmm038489.
12. Hjej R, Onoufriadis A, Watson CM, et al. CCDC151 mutations cause primary ciliary dyskinesia by disruption of the outer dynein arm docking complex formation. *Am J Hum Genet* 2014;95:257–274.
13. Veening JG, Barendregt HP. The regulation of brain states by neuroactive substances distributed via the cerebrospinal fluid; a review. *Cerebrospinal Fluid Res* 2010;7:1.
14. Del Bigio MR. Ependymal cells: biology and pathology. *Acta Neuropathol* 2010;119:55–73.
15. Karimy JK, Zhang J, Kurland DB, et al. Inflammation-dependent cerebrospinal fluid hypersecretion by the choroid plexus epithelium in posthemorrhagic hydrocephalus. *Nat Med* 2017;23:997.
16. Banizs B, Pike MM, Millican CL, et al. Dysfunctional cilia lead to altered ependyma and choroid plexus function, and result in the formation of hydrocephalus. *Development* 2005;132:5329–5339.
17. Narita K, Kawate T, Kakinuma N, Takeda S. Multiple primary cilia modulate the fluid transcytosis in choroid plexus epithelium. *Traffic* 2010;11:287–301.
18. Narita K, Takeda S. Cilia in the choroid plexus: their roles in hydrocephalus and beyond. *Front Cell Neurosci* 2015;9:39.
19. Liu B, Chen S, Johnson C, Helms JA. A ciliopathy with hydrocephalus, isolated craniosynostosis, hypertelorism, and clefting caused by deletion of Kif3a. *Reprod Toxicol* 2014;48:88–97.
20. Fassad MR, Patel MP, Shoemark A, et al. Clinical utility of NGS diagnosis and disease stratification in a multiethnic primary ciliary dyskinesia cohort. *J Med Genet* 2020;57:322–330.