

## EDGE ARTICLE

Cite this: *Chem. Sci.*, 2020, 11, 9209

All publication charges for this article have been paid for by the Royal Society of Chemistry

# A synthetic glycan array containing *Cryptococcus neoformans* glucuronoxylomannan capsular polysaccharide fragments allows the mapping of protective epitopes†

Lorenzo Guazzelli,<sup>‡</sup> Conor J. Crawford,<sup>§</sup> Rebecca Ulc,<sup>a</sup> Anthony Bowen,<sup>§</sup> Orla McCabe,<sup>a</sup> Anne J. Jedlicka,<sup>b</sup> Maggie P. Wear,<sup>b</sup> Arturo Casadevall<sup>§\*b</sup> and Stefan Oscarson<sup>§\*a</sup>

A convergent synthetic strategy to *Cryptococcus neoformans* glucuronoxylomannan (GXM) capsular polysaccharide part structures was developed based on di-, tri-, tetra-, penta- and hexasaccharide thioglycoside building blocks. The approach permitted the synthesis of a library of spacer-containing serotype A and D related GXM oligosaccharide structures, ranging from di- to octadecasaccharides. Ten deprotected GXM compounds (mono- to decasaccharide) were printed onto microarray plates and screened with seventeen mouse monoclonal antibodies (mAbs) to GXM. For the first time a GXM oligosaccharide structure (a serotype A decasaccharide), capable of being recognized by neutralizing forms of these GXM-specific mAbs, has been identified, offering insight into the binding epitopes of a range of protective monoclonal antibodies and furthering our efforts to develop semi-synthetic conjugate vaccine candidates against *C. neoformans*.

Received 28th February 2020  
Accepted 29th July 2020

DOI: 10.1039/d0sc01249a

rsc.li/chemical-science

## Introduction

*Cryptococcus neoformans* is an environmental yeast that can cause systemic infection in the immunocompromised and it is estimated that 1 million infections occur annually, leading to 600 000 deaths.<sup>1</sup> Goldman *et al.* hypothesised that infection occurs in early childhood, going unrecognised, and infection is cleared or enters a state of latency.<sup>2</sup> However, if the infection reemerges, it is a major health risk for those undergoing solid organ transplant, chemotherapy and HIV/AIDS patients.<sup>1,3,4</sup> Therapies currently used to treat this fungal infection are witnessing rising resistance,<sup>5</sup> and therefore research into new therapeutics to fight cryptococcal infections is required.<sup>6</sup>

*C. neoformans* is unique among pathogenic fungi in that its polysaccharide capsule is essential for virulence in mammals.<sup>7</sup> The capsule is composed of several constituents, including mannoproteins,  $\beta$ -glucans, galactoxylomannan (GalXM) and

glucuronoxylomannan (GXM). The latter, which accounts for approximately 90–95% of the capsule mass, is released into the tissue during infection,<sup>2</sup> causing a myriad of effects in the host, including interference with phagocytosis and leukocyte migration.<sup>8,9</sup> The GXM is a heteropolymer and does not consist of repeating units as in bacterial polysaccharides, but rather contains 6 repeating motifs, 4 of which can be used to serotype *C. neoformans* (Fig. 1). However, these motifs occur in various ratios depending on both strain and batch of the microbe. The GXM structure was analysed by Cherniak and co-workers using nuclear magnetic resonance (NMR) spectroscopy.<sup>10–12</sup> They concluded that this polysaccharide consisted of a  $\alpha$ -(1  $\rightarrow$  3)-mannose backbone containing  $\beta$ -(1  $\rightarrow$  2) and  $\beta$ -(1  $\rightarrow$  4) xylose branches and a  $\beta$ -(1  $\rightarrow$  2) glucuronic acid branch every three mannoses.<sup>10–12</sup> The GXM is further functionalized by a heterogeneous 6-O-acetyl substitution pattern along the mannan backbone.<sup>13,14</sup> The acetylation is known to be important for the antibody–antigen interactions and virulence with an estimated average of 2 acetates per mannose triad (serotype A and D).<sup>14,15</sup> This heterogeneity of the GXM severely complicates its structural analysis as well as structure–activity investigations, *e.g.*, its use in conjugate vaccines, where the stated heterogeneity has shown to lead to irreproducible effects in vaccination in murine models.<sup>16,17</sup> Also, reducing ends are not obviously available in the GXM CPS,<sup>18</sup> why CPS-based conjugate vaccine candidates have been constructed using methods, *e.g.*, cyanogen bromide activation, resulting in complex cross-linked conjugates.

<sup>a</sup>Centre for Synthesis and Chemical Biology, UCD School of Chemistry, University College Dublin, Belfield, Dublin 4, Ireland. E-mail: stefan.oscarson@ucd.ie

<sup>b</sup>Department of Molecular Microbiology and Immunology, Johns Hopkins Bloomberg School of Public Health, The Johns Hopkins University, 615 N. Wolfe St., Rm. E5132, Baltimore, MD 21205, USA. E-mail: acasade1@jh.u.edu

† Electronic supplementary information (ESI) available. See DOI: 10.1039/d0sc01249a

‡ Current address: Department of Pharmacy, Università di Pisa, Via Bonanno 6, 56126, Pisa, Italy.

§ SO and AC share senior authorship.





In this work we present a convergent synthetic strategy (Fig. 1) and synthesis of a library of GXM oligosaccharide structures, up to an octadecasaccharide. The GXM fragments are based on serotype A and D motifs (Fig. 1), as serotype A and D are responsible for the vast majority of human infections globally.<sup>21</sup> The synthetic strategy allows for target structures to contain acetyl groups, which are known to be important for virulence.<sup>14</sup> The acetylation pattern chosen was based on tentative NMR analysis suggesting a partly different acetylation arrangement between serotype A and D. A selection of these synthetic structures was used to create a first GXM glycan array containing 10 structures (Fig. 1), which was then screened with 17 anti-GXM mAbs, both protective and non-protective, to investigate their binding specificities and to seek lead candidates for vaccine development.

## Results and discussion

The synthesis is a continuation of our earlier work on serotype A and D GXM structures, based mainly on disaccharide building blocks **11** (Xyl- $\beta$ -(1  $\rightarrow$  2)-Man) and **12** (GlcA- $\beta$ -(1  $\rightarrow$  2)-Man), which are both ethyl thiosaccharides orthogonally protected in the 3-position (Fig. 1).<sup>22–27</sup> To permit the presence of acetates in target structures, benzyl groups were used as permanent protecting groups and initially allyl ethers and subsequently 2-naphthylmethyl (NAP) ethers were employed as temporary protecting groups.<sup>26,27</sup> These strategically designed disaccharide building blocks have been effectively used for the synthesis of structures up to a heptasaccharide in size, with all glycosylation products obtained with total 1,2-*trans* selectivity.<sup>19</sup>

### Thioglycoside block synthesis

To facilitate the synthesis of extended structures, larger building blocks were sought. As reported previously, a serotype A tetrasaccharide (**13**) was synthesized from two Xyl- $\beta$ -(1  $\rightarrow$  2)-Man building blocks (**11a** + **11d**) by converting one of the thiosaccharides to a trichloroacetimidate donor and one to a 3-OH acceptor, and then performing an orthogonal glycosylation.<sup>24</sup> Very high glycosylation yields were obtained using a reversed glycosylation procedure, *i.e.*, first mixing the acceptor and the promoter, and then adding the donor dropwise. The same approach was used to effectively obtain a serotype D trisaccharide (**14**). For continued synthesis of larger thioglycoside building blocks the NAP groups in blocks **13a** and **14a** were removed to obtain the 3-OH acceptors **13b** (68%) and **14b** (72%), respectively.<sup>24</sup> As noted by other researchers the chemoselectivity was not complete and benzyl groups were simultaneously cleaved, thus, lowering the yield.<sup>28</sup> This prompted us to investigate alternative orthogonal 3-*O*-protecting groups, since we anticipated that this problem may become even more pronounced on larger structures containing an even higher number of benzyl groups. A monochloroacetyl (AcCl) group was selected, the NAP group of disaccharide **12a** was cleaved and subsequently the 3-OH was acylated with monochloroacetyl chloride to give thioglycoside **12b**. This structure was then converted to its corresponding

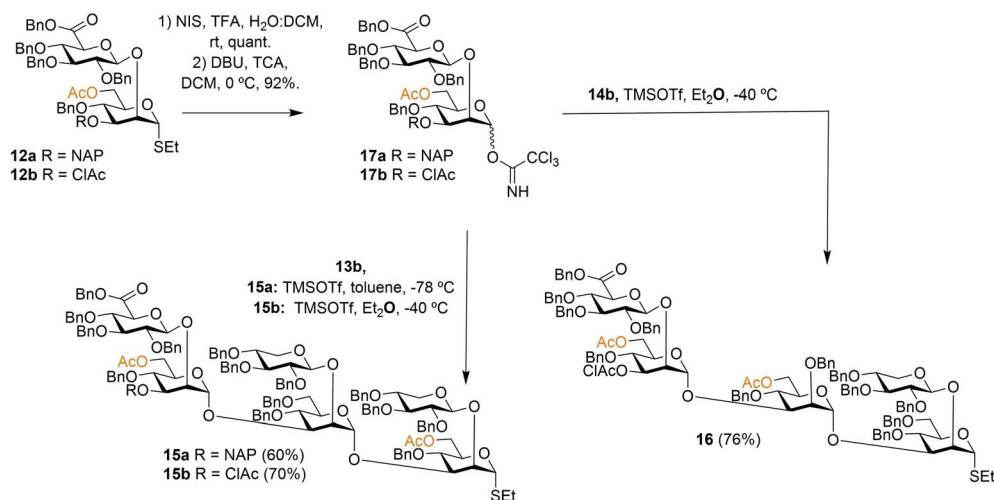
trichloroacetimidate donor **17b** for orthogonal glycosylation optimization (Scheme 1).

To afford a serotype A triad donor block, glycosylations with donor **17a** and acceptor **13b** were attempted, using the optimized conditions developed for the synthesis of **13a**, *i.e.*, an inverse glycosylation in toluene with TBDMSOTf as a promoter. However, this gave a complex mixture from which the desired product **15a** could only be isolated in low yields (15–29%). Changing the promoter of the glycosylation to TMSOTf allowed the synthesis of **15a** in a 60% yield. Glycosylations with the 3-*O*-ClAc protected donor **17b** and **13b** using the same promoter (TMSOTf) gave even higher yields of hexasaccharide **15b**, in the range of 70%. For this reason, donor **17b** was selected for the synthesis of the serotype D triad. Glycosylations of trisaccharide acceptor **14b** with donor **17b** afforded pentathiosaccharide **16** in 76% yield.

### Spacer-equipped acceptor block synthesis

Though the synthesis of the larger thiosaccharide building blocks **15** and **16** was successful, it was considered more efficient, especially on a larger scale, to synthesise the corresponding spacer-equipped reducing end structures using a stepwise approach, rather than through a direct glycosylation of blocks **15** and **16** with a spacer. Thus, spacer-equipped disaccharide acceptors **18a** and **18b** were prepared in a similar manner to that described for the corresponding thioethyl disaccharides **11** (see ESI†). Given the chemoselectivity issues experienced when cleaving NAP groups, it was decided to also here investigate a chloroacetyl as a temporary protecting group. Therefore, the NAP group of **11a** was converted to a chloroacetyl group ( $\rightarrow$  **11b**, 2 steps, 54%). DMTST-promoted glycosylations<sup>29</sup> of **18a** with either donor **11a** or **11b** gave tetrasaccharides **19a** and **19b** in very high yields of 89% and 95%, respectively and total 1,2-*trans* selectivity (Scheme 2A). Removal of the NAP group from **19a** yielded acceptor **19c** in a 64–80% yield, while removal of the chloroacetate gave **19c** in a 95% yield. Acceptor **19c** was then glycosylated with either NAP-protected donor **12a** or ClAc-protected donor **12b** to afford hexasaccharides **20a** (79%) and **20b** (74%), respectively. As anticipated, removal of the NAP group was significantly lower yielding for this larger structure, affording acceptor **20c** in only a 43% yield. In contrast, removal of the ClAc group produced **20c** in a 90% yield, highlighting the benefit of employing the chloroacetate over the NAP group, especially for the synthesis of structurally larger acceptors.

Serotype D structures were synthesised by coupling disaccharide acceptor **18b** with monosaccharide donor **21** using DMTST as promoter which gave an  $\alpha/\beta$ -mixture (3 : 1) from which the pure  $\alpha$ -anomer **14a** could be isolated in a 64% yield (Scheme 2B). We have earlier encountered the formation of anomeric mixtures in our GXM structure syntheses, but only in glycosylations employing 2-*O*-benzyl protected (monosaccharide) donors,<sup>24</sup> all donors possessing a 2-*O*-glycosidic moiety have displayed complete  $\alpha$ -selectivity. In this case, the anomers were quite easily separated and, for this reason, no major efforts were performed to improve the stereoselectivity of

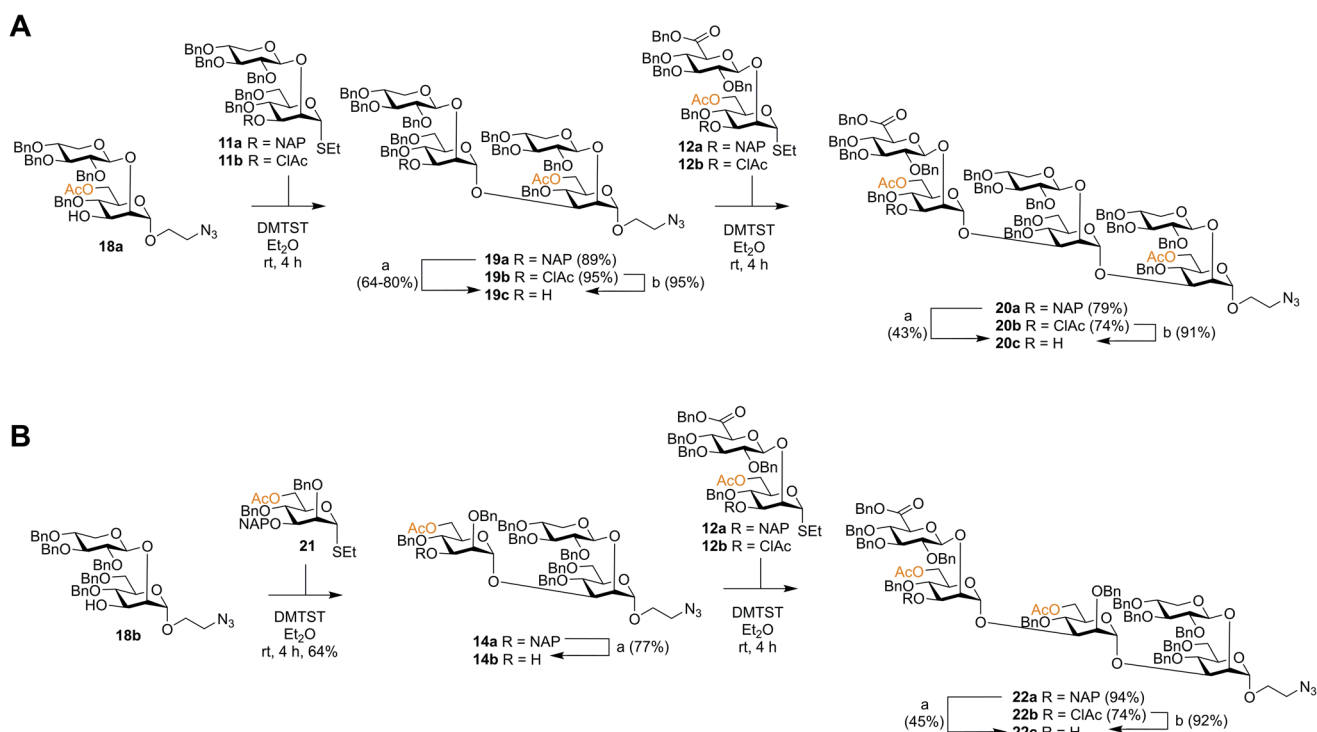


Scheme 1 Synthesis of hexa- and pentasaccharide thioglycoside building blocks.

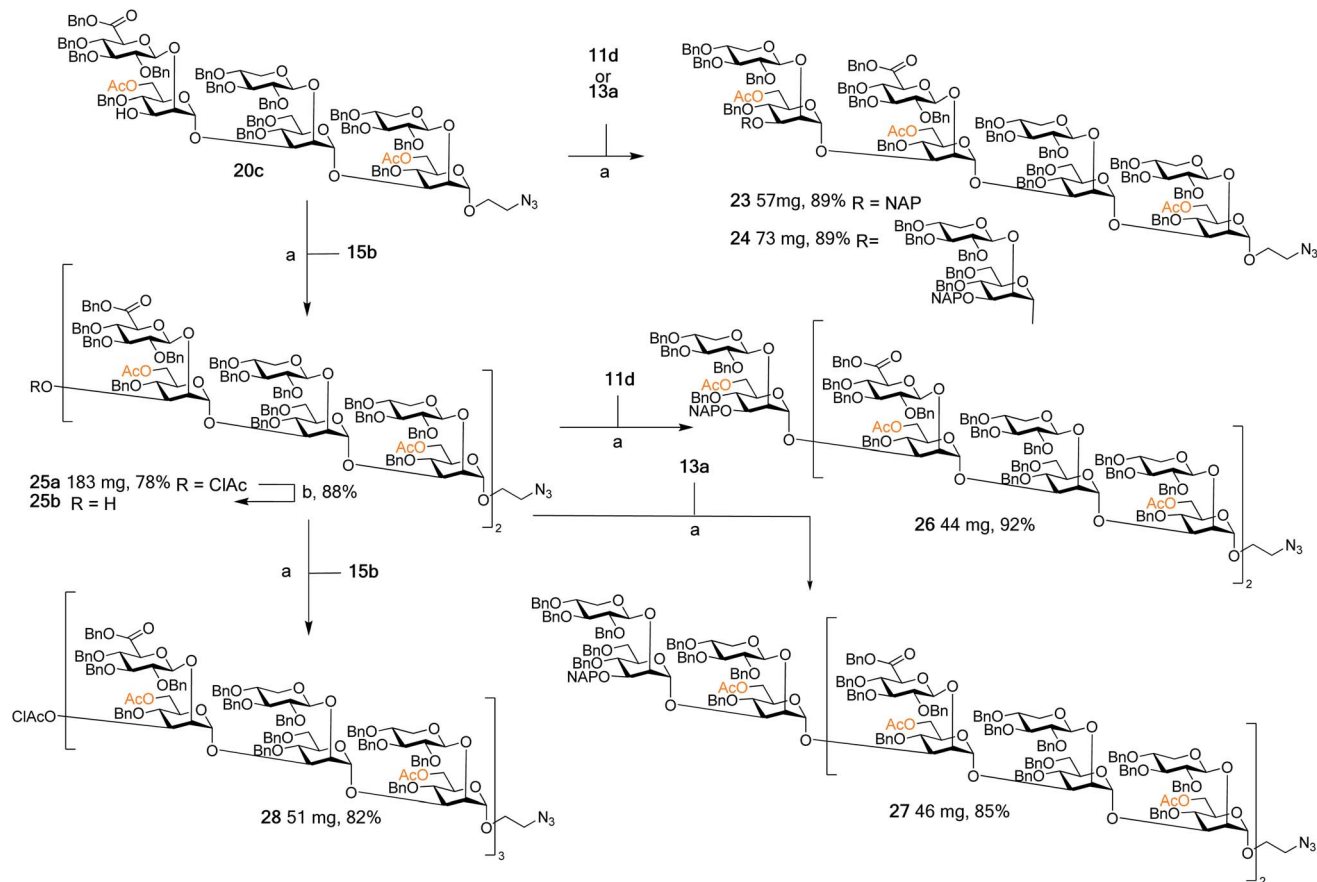
the glycosylation. Removal of the NAP group afforded trisaccharide acceptor **14b** (77%), which was then glycosylated with thioglycoside donor **12a** to give pentasaccharide **22a** in a 94% yield. Again, removal of the NAP group from **22a** to afford acceptor **22c** was quite low yielding (45%). Consequently, donor **12b** was utilized to give pentasaccharide **22b** in a lower glycosylation yield of 74%, but a higher deprotection yield of 92% to form acceptor **22c**. This improved the overall yield of the two-step process from 42% (NAP) to 68% (ClAc).

### Block assembly

With this arsenal of building blocks available, their assembly was then attempted (Schemes 3 and 4). Although problems had been encountered in the formation of some of the building blocks (especially **12**, **13**, and **15**), their assembly was straightforward. The same glycosylation conditions (DMTST, Et<sub>2</sub>O, rt) developed for the disaccharide thioglycoside donors proved to be universally effective for all donor–acceptor combinations. In addition, the selective removal of the chloroacetyl group proved

Scheme 2 Synthesis of spacer-equipped GXM oligosaccharides. (A) Serotype A hexasaccharide acceptor (B) serotype D pentasaccharide acceptor. Reagents and conditions: (a) DDQ, DCM : H<sub>2</sub>O, rt; (b) thiourea, NaHCO<sub>3</sub>, TBAI, dry, THF, 65 °C.





**Scheme 3** Assembly of spacer-equipped serotype A structures. Reagents and conditions: (a) DMTST, Et<sub>2</sub>O, rt;  $\alpha$ -only; (b) thiourea, NaHCO<sub>3</sub>, TBAI, dry, THF, 65 °C.

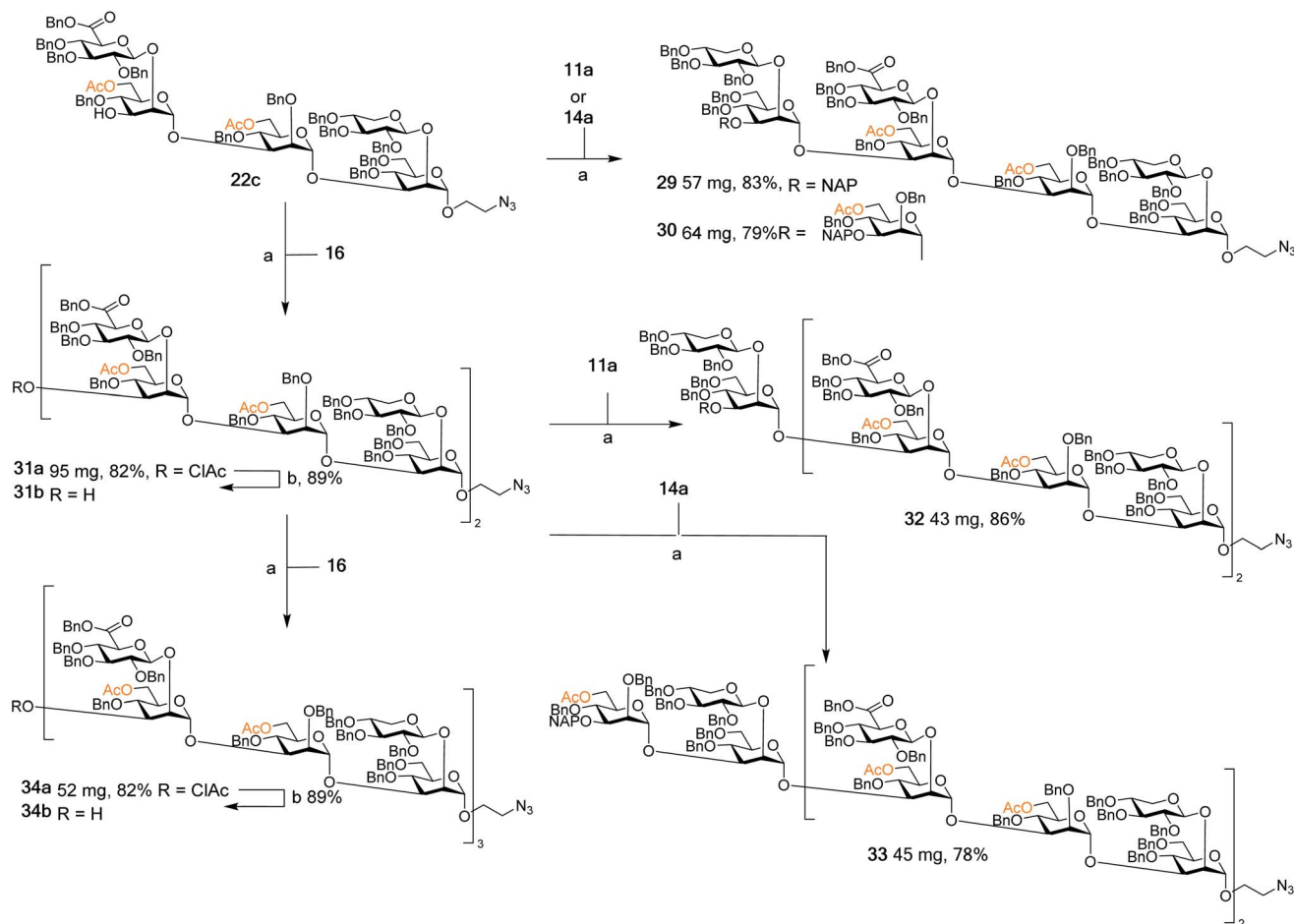
to be consistently high yielding, all contributing to an effective synthetic approach to GXM oligosaccharides. Although NAP protected building blocks **11a**, **13a**, and **14a** were still utilised, they were introduced as terminal ends of the larger structures. As such, the NAP group act as a permanent protecting group rather than a temporary one, and thus their low yielding selective removal was not an issue.

The assembly of serotype A structures is summarized in Scheme 3. Glycosylation yields were reproducibly high (78–92%), and the removal of the chloroacetyl protecting groups was performed in an 88% yield. These factors contributed to an efficient block synthesis of a library of serotype A related structures, *e.g.*, octadecasaccharide **28** was synthesized on a 50 mg scale from building blocks **15b**(x2) and **20c** in only three steps with an overall yield of 56%. Assembly of the serotype D series is summarized in Scheme 4. Again, the glycosylation yields were consistently high (78–86%), as were the chloroacetyl removals; 89% ( $\rightarrow$  **31b**) and 89% ( $\rightarrow$  **34b**). For example, pentadecasaccharide **34a** was assembled on a 50 mg scale from the building blocks **16**(x2) and **22c** in three steps in an overall yield of 60%.

### Global deprotection and array printing

Following assembly, the final steps required to attain the target structures involved removing the benzyl ethers and

reducing the azide present on the spacer to an amino group, which would be employed to not only immobilise structures on array plates, but also as a means for conjugation to carrier proteins to form glycoconjugate vaccine candidates. A one-step global deprotection, catalytic hydrogenolysis (H<sub>2</sub> 20–40 bar, Pd/C) to remove benzyl (and NAP) ethers, and concomitantly reduce the azide, was performed. Though saturation side-products of the benzyl and naphthylmethyl protecting groups occurred during hydrogenolysis,<sup>30</sup> it was possible to obtain pure target structures following purification *via* reversed phase chromatography (yields 37–85%). A number of structures ranging in size from mono- to deca-saccharides (Fig. 1, compounds **1–10**) were selected for preparation of an initial glycan array. Using a previously reported method,<sup>31,32</sup> the compounds **1** to **10** were printed at four different concentrations (300  $\mu$ M, 250  $\mu$ M, 200  $\mu$ M and 125  $\mu$ M) in six replicates (Fig. 1) onto glass slides coated with different types of reactive functional groups; *N*-hydroxysuccinimide esters (hydrogel slides) or epoxides (epoxy slides). Both of these functionalities being capable of reacting with the terminal amino group of the synthesized *C. neoformans* fragments and would allow insight into the optimal choice of glass slide for investigating these antigen–antibody interactions. Following printing, the slides were screened with 17 anti-GXM monoclonal antibodies (Fig. 2).



Scheme 4 Assembly of spacer-equipped serotype D fragments. Reagents and conditions (a) DMTST, Et<sub>2</sub>O, rt,  $\alpha$ -only; (b) thiourea, NaHCO<sub>3</sub>, TBAI, dry, THF, 65 °C.

### Microarray screening

With each hybridization, a set of matching slides was screened, one epoxy slide and one hydrogel slide so results could be compared between the two surface coatings. A total of 17 different mAbs to GXM were tested, these murine mAbs were generated from B cells harvested from the spleen on mice immunized with a GXM-tetanus toxoid conjugate vaccine,<sup>33</sup> while isotype switch variants were obtained through *in vitro* isotype switching (Fig. 2).<sup>34</sup> While four concentrations of each glycan were printed onto the microarrays, no concentration dependence was observed for antibody binding in this range. Most mAbs showed similar compound specificities between the hydrogel and epoxy coatings (Fig. 2A), but the 4H3 family exhibited a preference to the epoxy-coated arrays with perplexingly little to no binding observed on hydrogel slides. The epoxy-coated slides also tended to produce a higher background signal making it more difficult in some arrays to determine binding. Within individual arrays, some mAbs clearly bound more strongly to certain compounds than others.

The microarray binding results provide the first information on the polysaccharide structures recognized by protective mAbs to *C. neoformans* GXM and give additional information on

structures recognized by non-protective mAbs.<sup>19,20</sup> mAbs to GXM have been categorized into five groups based on their molecular structure and idiotype reactivity.<sup>35</sup> mAbs 2H1, 18B7, 2D10, 3B10, 13F1, 3E5, and 10F10 are Group II mAbs while mAb 4H3 and its isotype switched variants are Group V mAbs. Consistent with the molecular and idiotype classification, the Group II and V mAbs manifested different reactivity with the oligosaccharide compounds. Compound 10 was bound by protective mAbs 2H1, 18B7, 2D10, and 3B10 when immobilized by both epoxy and hydrogel coatings. However, non-protective mAb 13F1, which is known to bind a different epitope from that recognized by the other Group II protective mAbs,<sup>36</sup> bound compound 10 attached by the hydrogel but not epoxy coating. We interpret this result as consistent with mAb 13F1 having different epitope specificity and revealing differences in how the oligosaccharides are recognised depending on the glass slide used. In this regard, the epitopes recognized by some of these mAbs are conformational,<sup>37</sup> suggesting a possible explanation for the differences in their reactivity with oligosaccharides depending on the glass surface used. The 3E5 mAb set was derived by *in vitro* isotype switching from an IgG<sub>3</sub> hybridoma and structurally this mAb is classified as Class II. All of the IgG isotypes of 3E5 share the same variable gene sequence but differ in constant region.

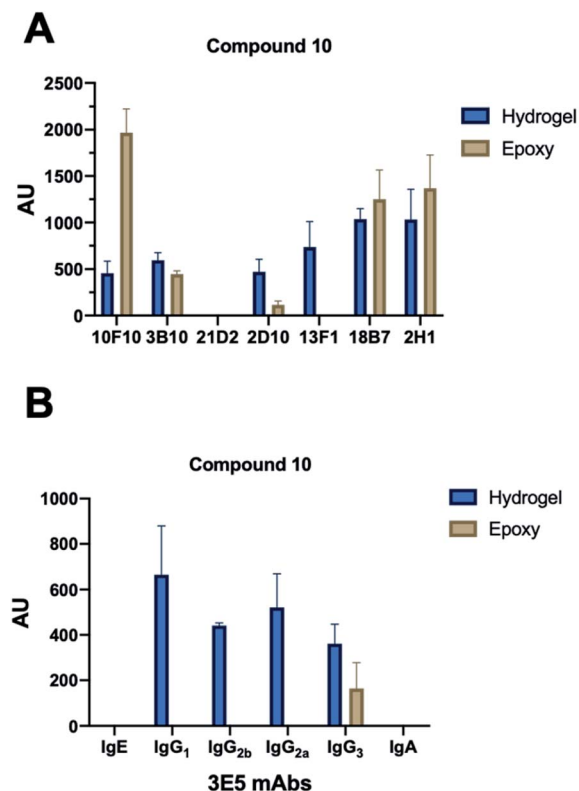


Fig. 2 Array screening. Summary of microarray results from synthetic glycan library. (A) Summary of mAbs that recognize compound 10. All incubations were carried out at  $10 \mu\text{g mL}^{-1}$  with exceptions indicated in parentheses. 10F10–IgM ( $100 \mu\text{g mL}^{-1}$ ), 3B10–IgG<sub>1</sub>, 21D2–IgM ( $100 \mu\text{g mL}^{-1}$ ), 2D10–IgM, 13F1–IgM, 18B7–IgG<sub>1</sub> and 2H1–IgG<sub>1</sub>. (B) Effect of isotype switch on glycan recognition in 3E5 mAbs. Family contained IgG<sub>1</sub>, IgG<sub>2a</sub>, IgG<sub>2b</sub>, IgG<sub>3</sub>, IgE and IgA isotypes. Bars represent the mean  $\pm$ SD. Each antibody experiment was repeated in triplicate.

These exhibited similar binding profiles, binding best to deca-saccharide compound 10. However, the 3E5 IgA and IgE isotype variants did not bind to any compounds on the array in contrast to their IgG variants, consistent with epitope recognition differences mediated by constant region effect, which had previously been reported by Janda *et al.*<sup>38</sup>

The 4H3 mAb family represents a group of isotype switched antibodies derived from 4H3 IgG<sub>3</sub>, which is not protective against *C. neoformans*.<sup>33</sup> The 4H3 mAbs bound best to compound 8, a heptasaccharide, which we have previously investigated as a semi-synthetic vaccine candidate, and ultimately produced a non-protective immune response.<sup>19,20</sup> Hence, we have the consistent result that this mAb is not protective and binds best to an oligosaccharide that elicited non-protective antibodies. Again, we observed with the 4H3 family of mAbs that isotype switching effected antigen recognition (Fig. 3), as we have reported previously.<sup>39</sup> In contrast to the 4H3 mAbs, the IgG<sub>1</sub>, IgG<sub>2a</sub>, IgG<sub>2b</sub>, and IgG<sub>3</sub> 4H3 variants each demonstrated different reactivity with the oligosaccharide compound set consistent with the notion that isotype switching can affect the specificity of antibodies expressing identical variable region structures (for review<sup>40</sup>).

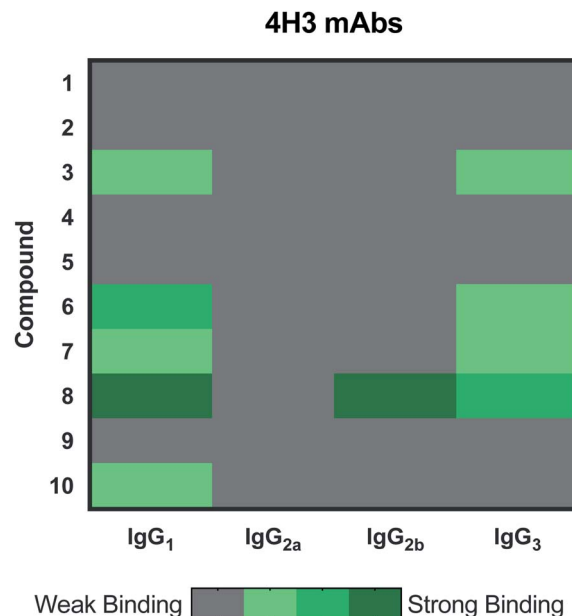


Fig. 3 Heatmap depicting effect of isotype switching on epitope preference of 4H3 mAbs. Family contains IgG<sub>1</sub>, IgG<sub>2a</sub>, IgG<sub>2b</sub> and IgG<sub>3</sub>. All incubations were carried out at  $10 \mu\text{g mL}^{-1}$ . Each microarray scan was repeated three times.

Overall, these results indicated that structurally and functionally different mAbs to *C. neoformans* GXM bind to different polysaccharide motifs in the capsular polysaccharide. Most of the mAbs to GXM bound best, or only, to 10, a serotype A deca-saccharide and this included two mAbs that have been shown to be protective in mice, 2H1 (IgG<sub>1</sub>) and 18B7 (IgG<sub>1</sub>).<sup>41,42</sup> The finding that all protective mAbs bound to compound 10 immobilized by both the epoxy and hydrogel coatings suggests that it contains an epitope that could elicit useful antibody responses, making it a good candidate for evaluation in vaccination experiments. Further 10 was recently shown to adopt conformations of the native GXM, unlike smaller synthetic fragments.

## Conclusions

The native GXM polysaccharide is too heterogeneous to be used in mAb epitope mapping, why synthetic glycans are essential tools in investigating the immunological properties of the *C. neoformans* capsule. Epitope mapping is important to understand the relationship between mAb binding and capsule reactivity and for the development of these reagents for therapeutic and vaccine use. We here present the design and implementation of an effective convergent synthetic strategy enabling access to an extended library of *Cryptococcus neoformans* GXM serotype A and D structures. The structures comprise the natural acetylation pattern, known to be of importance for virulence, adding severe challenges to the synthesis. In particular, the synthesis of large thioglycoside building blocks up to a hexasaccharide in size allowed the efficient assembly also of large GXM glycans, up to an octadecasaccharide. Part of this

library (up to a decasaccharide) was deprotected and used in printing a first generation GXM glycan microarray, which was screened with a library of GXM mAbs, both non-protective and protective (neutralizing). For the first time ever the binding specificity of neutralizing GXM mAbs could be established. The screening revealed that a serotype A decasaccharide was recognized by several neutralizing mAbs, making this structure a most attractive candidate for continued conjugate vaccine development.

## Conflicts of interest

There are no conflicts to declare.

## Acknowledgements

We thank Dr Yannick Ortin and Dr Jimmy Muldoon for NMR and MS support. L. G. was supported by Marie Curie European Fellowships (FP7-PEOPLE-2011-IEF, Project Number 299710). C. J. C. was funded by Irish Research Council postgraduate award (GOIPG/2016/998). A. C. was supported in part by NIH grants AI052733 16 and HL059842 19. S. O was supported by Science Foundation Ireland Award 13/IA/1959.

## Notes and references

- 1 B. J. Park, K. A. Wannemuehler, B. J. Marston, N. Govender, P. G. Pappas and T. M. Chiller, Estimation of the current global burden of cryptococcal meningitis among persons living with HIV/AIDS, *AIDS*, 2009, **23**, 525–530.
- 2 D. L. Goldman, H. Khine, J. Abadi, D. J. Lindenberg, La Pirofski, R. Niang and A. Casadevall, Serologic evidence for *Cryptococcus neoformans* infection in early childhood, *Pediatrics*, 2001, **107**, 5.
- 3 N. Singh, F. Dromer, J. R. Perfect and O. Lortholary, Cryptococcosis in solid organ transplant recipients: current state of the science, *Clin. Infect. Dis.*, 2008, **47**, 1321–1327.
- 4 S. A. Schmalzle, U. K. Buchwald, B. L. Gilliam and D. J. Riedel, *Mycoses*, 2016, **59**, 542–552.
- 5 E. R. Block, A. E. Jennings and J. E. Bennett, 5-fluorocytosine resistance in *Cryptococcus neoformans*, *Antimicrob. Agents Chemother.*, 1973, **3**, 649–656.
- 6 M. C. Caballero, V. Dyke and F. L. Wormley, A Call to Arms: Quest for a Cryptococcal Vaccine, *Trends Microbiol.*, 2018, **26**, 436–446.
- 7 A. Casadevall, C. Coelho, R. J. B. Cordero, Q. Dragotakes, E. Jung, R. Vij and M. P. Wear, The capsule of *Cryptococcus neoformans*, *Virulence*, 2018, 1–10.
- 8 Z. M. Dong and J. W. Murphy, Effects of the two varieties of *Cryptococcus neoformans* cells and culture filtrate antigens on neutrophil locomotion, *Infect. Immun.*, 1995, **63**, 2632–2644.
- 9 C. Retini, A. Vecchiarelli, C. Monari, C. Tascini, F. Bistoni and T. R. Kozel, Capsular polysaccharide of *Cryptococcus neoformans* induces proinflammatory cytokine release by human neutrophils, *Infect. Immun.*, 1996, **64**, 2897–2903.
- 10 R. Cherniak, H. Valafar, L. C. Morris and F. Valafar, *Cryptococcus neoformans* chemotyping by quantitative analysis of <sup>1</sup>H nuclear magnetic resonance spectra of glucuronoxylomannans with a computer-simulated artificial neural network, *Clin. Diagn. Lab. Immunol.*, 1998, **5**, 146–159.
- 11 S. Sheng and R. Cherniak, Structure of the <sup>13</sup>C-enriched O-deacetylated glucuronoxylomannan of *Cryptococcus neoformans* serotype A determined by NMR spectroscopy, *Carbohydr. Res.*, 1997, **301**, 33–40.
- 12 R. Cherniak and J. B. Sundstrom, Polysaccharide antigens of the capsule of *Cryptococcus neoformans*, *Infect. Immun.*, 1994, **62**, 1507–1512.
- 13 A. K. Bhattacharjee, J. E. Bennett and C. P. Glaudemans, *Rev. Infect. Dis.*, 1984, **6**, 619–624.
- 14 P. M. Ellerbroek, D. J. Lefeber, R. van Veghel, J. Scharringa, E. Brouwer, G. J. Gerwig, G. Janbon, A. I. M. Hoepelman and F. E. J. Coenjaerts, O-Acetylation of Cryptococcal Capsular Glucuronoxylomannan Is Essential for Interference with Neutrophil Migration, *J. Immunol.*, 2004, **173**, 7513–7520.
- 15 C. Crawford, M. P. Wear, D. F. Q. Smith, C. D'Errico, A. Casadevall and S. Oscarson, Antibodies to the *Cryptococcus neoformans* Capsule have Innate Glycosidase Activity, *ChemRxiv*, 2020, DOI: 10.26434/chemrxiv.12144699.v2.
- 16 S. K. Chow and A. Casadevall, Evaluation of *Cryptococcus neoformans* galactoxylomannan-protein conjugate as vaccine candidate against murine cryptococcosis, *Vaccine*, 2011, **29**, 1891–1898.
- 17 A. Casadevall, J. Mukherjee, S. J. N. Devi, R. Schneerson, J. B. Robbins and M. D. Scharff, Antibodies elicited by a *cryptococcus neoformans*-tetanus toxoid conjugate vaccine have the same specificity as those elicited in infection, *J. Infect. Dis.*, 1992, **165**, 1086–1093.
- 18 C. J. Crawford, R. J. B. Cordero, L. Guazzelli, M. P. Wear, A. Bowen, S. Oscarson and A. Casadevall, Exploring *Cryptococcus neoformans* capsule structure and assembly with a hydroxylamine-armed fluorescent probe, *J. Biol. Chem.*, 2020, **295**, 4327–4340.
- 19 S. Oscarson, M. Alpe, P. Svahnberg, A. Nakouzi and A. Casadevall, Synthesis and immunological studies of glycoconjugates of *Cryptococcus neoformans* capsular glucuronoxylomannan oligosaccharide structures, *Vaccine*, 2005, **23**, 3961–3972.
- 20 A. Nakouzi, T. Zhang, S. Oscarson and A. Casadevall, The common *Cryptococcus neoformans* glucuronoxylomannan M2 motif elicits non-protective antibodies, *Vaccine*, 2009, **27**, 3513–3518.
- 21 K. J. Kwon-Chung, J. A. Fraser, T. Á. L. Doering, Z. A. Wang, G. Janbon, A. Idnurm and Y. S. Bahn, *Cryptococcus neoformans* and *Cryptococcus gattii*, the etiologic agents of cryptococcosis, *Cold Spring Harbor Perspect. Med.*, 2015, **4**, 7.
- 22 L. Guazzelli, R. Ulc and S. Oscarson, Synthesis of benzyl protected β-d-GlcA-(1 → 2)-α-d-Man thioglycoside building blocks for construction of *Cryptococcus neoformans*



- capsular polysaccharide structures, *Carbohydr. Res.*, 2014, **389**, 57–65.
- 23 J. Vesely, L. Rydner and S. Oscarson, Variant synthetic pathway to glucuronic acid-containing di- and trisaccharide thioglycoside building blocks for continued synthesis of *Cryptococcus neoformans* capsular polysaccharide structures, *Carbohydr. Res.*, 2008, **343**, 2200–2208.
- 24 L. Guazzelli, R. Ulc, L. Rydner and S. Oscarson, A synthetic strategy to xylose-containing thioglycoside tri- and tetrasaccharide building blocks corresponding to *Cryptococcus neoformans* capsular polysaccharide structures, *Org. Biomol. Chem.*, 2015, **13**, 6598–6610.
- 25 L. Guazzelli, O. McCabe and S. Oscarson, Synthesis of part structures of *Cryptococcus neoformans* serotype C capsular polysaccharide, *Carbohydr. Res.*, 2016, **433**, 5–13.
- 26 P. J. Garegg, L. Olsson and S. Oscarson, Synthesis of oligosaccharides corresponding to structures found in capsular polysaccharides of *Cryptococcus neoformans*. Part 1, *J. Carbohydr. Chem.*, 1993, **12**, 955–967.
- 27 P. J. Garegg, L. Olsson and S. Oscarson, Synthesis of Oligosaccharides Corresponding to Structures Found in Capsular Polysaccharides of *Cryptococcus Neoformans* Part 3. Two Regioselectively Acetylated Tetrasaccharides, *J. Carbohydr. Chem.*, 1997, **16**, 973–981.
- 28 D. Crich and O. Vinogradova, Facile oxidative cleavage of 4-O-benzyl ethers with dichlorodicyanoquinone in rhamno- and mannopyranosides, *J. Org. Chem.*, 2007, **72**, 3581–3584.
- 29 P. Fügedi and P. J. Garegg, A novel promoter for the efficient construction of 1,2-trans linkages in glycoside synthesis, using thioglycosides as glycosyl donors, *Carbohydr. Res.*, 1986, **149**, 9–12.
- 30 C. Crawford and S. Oscarson, Optimized Conditions for the Palladium-Catalyzed Hydrogenolysis of Benzyl and Naphthylmethyl Ethers: Preventing Saturation of Aromatic Protecting Groups, *Eur. J. Org. Chem.*, 2020, **2020**, 3332–3337.
- 31 L. Wang, R. D. Cummings, D. F. Smith, M. Huflejt, C. T. Campbell, J. C. Gildersleeve, J. Q. Gerlach, M. Kilcoyne, L. Joshi, S. Serna, N.-C. Reichardt, N. Parera Pera, R. J. Pieters, W. Eng and L. K. Mahal, Cross-platform comparison of glycan microarray formats, *Glycobiology*, 2014, **24**, 507–517.
- 32 M. Kilcoyne, J. Q. Gerlach, R. Gough, M. E. Gallagher, M. Kane, S. D. Carrington and L. Joshi, Construction of a Natural Mucin Microarray and Interrogation for Biologically Relevant Glyco-Epitopes, *Anal. Chem.*, 2012, **84**, 2020.
- 33 J. Mukherjee, M. D. Scharff and A. Casadevall, Protective murine monoclonal antibodies to *Cryptococcus neoformans*, *Infect. Immun.*, 1992, **60**, 4534–4541.
- 34 R. Yuan, A. Casadevall, G. Spira and M. D. Scharff, Isotype switching from IgG3 to IgG1 converts a nonprotective murine antibody to *Cryptococcus neoformans* into a protective antibody, *J. Immunol.*, 1995, **154**, 1810–1816.
- 35 A. Casadevall, M. DeShaw, M. Fan, F. Dromer, T. R. Kozel and L. A. Pirofski, Molecular and idiotypic analysis of antibodies to *Cryptococcus neoformans* glucuronoxylomannan, *Infect. Immun.*, 1994, **62**, 3864–3872.
- 36 J. Mukherjee, G. Nussbaum, M. D. Scharff and A. Casadevall, Protective and nonprotective monoclonal antibodies to *Cryptococcus neoformans* originating from one B cell, *J. Exp. Med.*, 1995, **181**, 405–409.
- 37 D. C. McFadden and A. Casadevall, Unexpected diversity in the fine specificity of monoclonal antibodies that use the same V region gene to glucuronoxylomannan of *Cryptococcus neoformans*, *J. Immunol.*, 2004, **172**, 3670–3677.
- 38 A. Janda, E. Eryilmaz, A. Nakouzi, M. A. Pohl, A. Bowen and A. Casadevall, Variable region identical IgA and IgE to *Cryptococcus neoformans* capsular polysaccharide manifest specificity differences, *J. Biol. Chem.*, 2015, **290**, 12090–12100.
- 39 A. Casadevall and A. Janda, *Proc. Natl. Acad. Sci. U. S. A.*, 2012, **109**, 12272–12273.
- 40 A. Janda, A. Bowen, N. S. Greenspan and A. Casadevall, Ig Constant Region Effects on Variable Region Structure and Function, *Frontiers in Microbiology*, 2016, **7**, 22.
- 41 J. Mukherjee, L. S. Zuckier, M. D. Scharff and A. Casadevall, Therapeutic efficacy of monoclonal antibodies to *Cryptococcus neoformans* glucuronoxylomannan alone and in combination with amphotericin B, *Antimicrob. Agents Chemother.*, 1994, **38**, 580–587.
- 42 R. A. Larsen, P. G. Pappas, J. Perfect, J. A. Aberg, A. Casadevall, G. A. Cloud, R. James, S. Filler and W. E. Dismukes, Phase I evaluation of the safety and pharmacokinetics of murine-derived anticryptococcal antibody 18B7 in subjects with treated cryptococcal meningitis, *Antimicrob. Agents Chemother.*, 2005, **49**, 952–958.
- 43 A. Varki, R. D. Cummings, M. Aebi, N. H. Packer, P. H. Seeberger, J. D. Esko, P. Stanley, G. Hart, A. Darvill, T. Kinoshita, J. J. Prestegard, R. L. Schnaar, H. H. Freeze, J. D. Marth, C. R. Bertozzi, M. E. Etzler, M. Frank, J. F. G. Vliegthart, T. Lütke, S. Perez, E. Bolton, P. Rudd, J. Paulson, M. Kanehisa, P. Toukach, K. F. Aoki-Kinoshita, A. Dell, H. Narimatsu, W. York, N. Taniguchi and S. Kornfeld, Symbol nomenclature for graphical representations of glycans, *Glycobiology*, 2015, **25**, 1323–1324.