



Integrative omics analysis reveals the protective role of vitamin C on perfluorooctanoic acid-induced hepatotoxicity



Rong Li ^{a,1}, Chao Guo ^{b,1}, Xiao Lin ^d, Ting Fung Chan ^d, Min Su ^a, Zhiyong Zhang ^{c,*}, Keng Po Lai ^{a,*}

^a Laboratory of Environmental Pollution and Integrative Omics, Guilin Medical University, Guilin, PR China

^b Department of Pharmacy, Guigang City People's Hospital, The Eighth Affiliated Hospital of Guangxi Medical University, Guigang, Guangxi, PR China

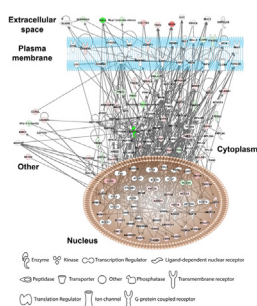
^c Guilin Medical University, Guilin, PR China

^d School of Life Sciences, Hong Kong Bioinformatics Centre, The Chinese University of Hong Kong, Hong Kong Special Administrative Region

HIGHLIGHTS

- Vitamin C reduces signs of PFOA-induced liver damage.
- Protective role of vitamin C is associated with signaling networks control, suppressing linoleic acid metabolism.
- Vitamin C reduces thiodiglycolic acid, and elevating glutathione in the liver.
- The findings demonstrate the utility of vitamin C for preventing PFOA-induced hepatotoxicity.

GRAPHICAL ABSTRACT



ARTICLE INFO

Article history:

Received 19 February 2021

Revised 8 April 2021

Accepted 11 April 2021

Available online 15 April 2021

Keywords:

Perfluorooctanoic acid

Liver

Metabolomic

Metabolism

Vitamin C

ABSTRACT

Introduction: Perfluorooctanoic acid (PFOA) is a compound used as an industrial surfactant in chemical processes worldwide. Population and cross-sectional studies have demonstrated positive correlations between PFOA levels and human health problems.

Objectives: Many studies have focused on the hepatotoxicity and liver problems caused by PFOA, with little attention to remediation of these problems. As an antioxidant, vitamin C is frequently utilized as a supplement for hepatic detoxification.

Methods: In this study, we use a mouse model to study the possible role of vitamin C in reducing PFOA-induced liver damage. Based on comparative transcriptomic and metabolomic analysis, we elucidate the mechanisms underlying the protective effect of vitamin C.

Results: Our results show that vitamin C supplementation reduces signs of PFOA-induced liver damage including total cholesterol and triglyceride levels increase, liver damage markers aspartate, transaminase, and alanine aminotransferase elevation, and liver enlargement. Further, we show that the protective role of vitamin C is associated with signaling networks control, suppressing linoleic acid metabolism, reducing thiodiglycolic acid, and elevating glutathione in the liver.

Conclusion: The findings in this study demonstrate, for the first time, the utility of vitamin C for preventing PFOA-induced hepatotoxicity.

Peer review under responsibility of Cairo University.

* Corresponding authors at: Guilin Medical University, Huan Cheng North 2nd Road 109, Guilin 541042, PR China (Z. Zhang). Laboratory of Environmental Pollution and Integrative Omics, Guilin Medical University, Huan Cheng North 2nd Road 109, Guilin 541004, PR China (K.P. Lai).

E-mail addresses: gimcrapzz@163.com, rpazz@163.com (Z. Zhang), gimu_kengplai@yeah.net (K.P. Lai).

¹ These authors contributed equally to this study.

<https://doi.org/10.1016/j.jare.2021.04.003>

2090-1232/© 2021 The Authors. Published by Elsevier B.V. on behalf of Cairo University.

This is an open access article under the CC BY-NC-ND license (<http://creativecommons.org/licenses/by-nc-nd/4.0/>).

Introduction

Perfluorooctanoic acid (PFOA), a common component of industrial and consumer products including food-containing and food-associated materials is frequently detected in humans [1]. Several population studies reveal its presence in human serum [2,3], with cross-sectional studies linking it to human health problems such as metabolic, liver, coronary, immune system, and bone diseases [4–8]. As a detoxification venue, the liver is a reported PFOA target and a major site for PFOA accumulation [9]. Many studies have demonstrated the hepatotoxic effect of PFOA and its association to liver diseases like the non-alcoholic fatty liver disease (NAFLD) [10,11]. These harmful effects of PFOA to liver are mainly attributed to elevated hepatic triglyceride and altered hepatic lipid oxidation, causing liver steatosis [12].

Vitamin C, also known as ascorbic acid, is an essential micronutrient for humans, vital for the functioning of body systems including collagen formation, iron absorption, and immune system maintenance. More importantly, it is an antioxidant, with numerous studies on mammals demonstrating its protective role in the liver. For example, in a study involving rats, vitamin C was reported to prevent NAFLD [13]. Similar results were obtained from guinea pigs; a high dose of vitamin C improved non-alcoholic steatohepatitis symptoms [14]. In addition, vitamin C supplementation was suggested to provide a protective effect on toxicant-induced hepatotoxicity [15]. Moreover, a study on mice showed that vitamin C retarded triptolide-induced acute hepatotoxicity through oxidative stress mitigation [16]. A similar protective effect of vitamin C was reported for fipronil-induced oxidative stress in mouse liver [16]. Furthermore, vitamin C exhibited protective effects on arsenic-induced hepatic anomalies and dexmedetomidine-induced liver injury in rats [18,19].

In this study, we used a mouse model and integrative omics analysis including the transcriptomics and metabolomics to investigate the utility of vitamin C for relieving hepatotoxic effects of PFOA. Our results show that vitamin C consumption protects the liver from PFOA-induced triglyceride and total cholesterol elevation. In addition, vitamin C compensates for PFOA-mediated-reduction of high-density lipoprotein in mouse liver. More importantly, vitamin C attenuates PFOA-induced liver enlargement and liver damage. These data highlight a protective effect of vitamin C on PFOA-induced hepatotoxicity. Based on the transcriptomic and metabolomic analysis, followed by systematic bioinformatics analysis, we elucidate metabolic alterations caused by PFOA and the underlying mechanisms of the protective role of vitamin C. We show that PFOA can interfere with the synthesis of primary bile acids, steroid hormones, and unsaturated fatty acids by inducing the acyl-coenzyme A gene family in the liver. More importantly, we discovered that vitamin C also retards linoleic acid metabolism and reduces thiodiglycolic acid, while elevating glutathione levels, thereby explaining its protective effect on PFOA-induced hepatotoxicity.

Materials and methods

Animal maintenance and treatment

This animal study was conducted following the guidelines and regulations of the Animal Center Laboratory in Guilin Medical University (Approval No. GLMC201503003). The ICR mice (7-weeks of age) were purchased from Hunan Slark Jingda Experi-

mental Animal Co., Ltd. (Changsha, China). The mice were acclimatized for a week before the 7 days exposure experiments. The mice were randomly divided into 3 groups ($n = 8$), with a PFOA group fed with 10 mg/kg PFOA per day as previously described [20], a PFOA + vitamin C group fed with 10 mg/kg of PFOA per day and treated with 100 mg/kg of vitamin C as previously reported [21], and a control group fed with DMSO. The mice were allowed free access to food and filtered water, and after feeding for 7 days, they were dissected and their liver tissues collected, snap-frozen with liquid nitrogen, and stored at -80°C [22,23].

Biochemical assay of serum samples

The blood levels of enzymes involved in liver functioning (alanine aminotransferase and aspartate aminotransferase), lipids (triglyceride, total cholesterol, low density lipoprotein, and high-density lipoprotein), and hepatic lipase for the samples were measured using commercially available kits (Nanjing Jiancheng Bio-engineering Institute, China; Shanghai Elisa Biotech, China), as previously described [24,25].

RNA isolation and transcriptomic analysis

The RNA samples were extracted from the liver tissues using the TRIzol reagent according to the manufacturer's instruction. The quality of each sample was assessed by an Agilent 2100 Bioanalyzer system, and samples ($n = 3$ from each treatment group) with an RNA Integrity Number (RIN) > 8 were subjected to the transcriptome library construction as previously described [26]. Briefly, poly-T oligo-attached magnetic beads were used to enrich the mRNA (poly(A)-mRNA). The purified mRNA samples were fragmented and submitted to the cDNA library construction using Illumina mRNA Seq sample preparation kits. The library was sequenced on an Illumina HiSeq 4000 sequencer with 150 bp paired-end sequencing following the manufacturer's instructions. After sequencing, the adaptor sequence and sequencing primer were trimmed, and the low-quality reads (q quality scores lower than 20) were eliminated. The clean sequence reads were mapped to the UCSC (<http://genome.ucsc.edu/>) reference genome of *Mus musculus* using the HISAT package. The StringTie and edgeR were used for determining the expression levels of all genes. Genes with a \log_2 (fold change) > 1 and a statistical significance (p value < 0.05) were defined as differentially expressed genes (DEGs). The DEGs were then exposed to the Gene Ontology (GO) and Kyoto Encyclopedia of Genes and Genomes (KEGG) enrichment analyses, and the Ingenuity Pathways Analysis (IPA), to evaluate system-wide effects of PFOA in the liver and the protection potential of vitamin C.

Metabolomic analysis by ultra-performance liquid chromatography-high-resolution tandem mass spectrometry

Metabolites were extracted from the collected liver tissue samples as previously described [8]. Initially, the samples were extracted using 120 μL of prechilled 50% methanol, vortexed for 1 min, and incubated at room temperature for 10 min. After centrifugation at 4000 g for 20 min, the supernatants were analyzed by LC-MS following the manufacturer's instructions. First, chromatographic separations were performed using an ultra-performance liquid chromatography (UPLC) system (SCIEX, UK) with an ACQUITY UPLC T3 column (100 mm \times 2.1 mm, 1.8 μm ,

Waters, UK) involving reversed-phase separation. A TripleTOF 5600⁺ high-resolution tandem mass spectrometer (SCIEX, UK) was used to detect metabolites eluting from the column in the positive and negative ion modes (PIM and NIM). The MS data were acquired in the IDA mode with TOF mass ranging from 60 to 1200 Da. The acquired MS data were analyzed using the XCMS software, as previously described [8], with each ion identified based on the retention time (RT) and *m/z* data. An online KEGG and a human metabolome database (HMDB) were employed for annotating the metabolites by molecular mass-to-charge (*m/z*) matching of the samples. If the mass difference between the measured sample result and the database value was < 10 ppm, the metabolite was annotated, followed by confirming the metabolite's molecular formula through isotopic distribution measurements. The peak intensities were further processed by metaX, with features that were detected in < 50% of QC samples or 80% of biological samples removed, while the remaining peaks with missing values were input with the k-nearest neighbor algorithm to enhance data quality. The Student's *t*-test was performed for the samples to assess metabolite concentrations differences between the treatment and control groups. The *p*-value was adjusted for multiple tests using an FDR (Benjamini–Hochberg), and a supervised PLS-DA was conducted with metaX to discriminate variables between the groups. A *p*-value < 0.05 and a log₂ (fold change) > 1 were set as the thresholds for significant differential change of the metabolites. The VIP value was then calculated, with a cut-off value of 1.0 used for selecting important features. The deregulated metabolites were further assessed using the web-based analytical tool MetaboAnalyst [27].

Results and discussion

Liver protection from PFOA-induced damage by vitamin C supplementation

Although PFOA is banned in many countries, its detection in human population is still common due to its high persistence in the environment. The association between PFOA levels and human diseases, especially liver steatosis is reported by many studies [5,28]. Therefore, identifying a supplement for reducing the hepatotoxicity of PFOA can be helpful for the public. Vitamin C, for example, is an antioxidant commonly for boosting liver function

Table 1

Liver Parameters Affected by PFOA Hepatotoxicity for the Control, PFOA Treatment, and PFOA + VC Treatment Sample Groups.

Parameters	Control	PFOA	VC + PFOA
Body mass (g)	45.65 ± 2.06	44.83 ± 2.16	43.23 ± 3.72
Liver mass (g)	1.56 ± 0.12	3.71 ± 0.18 ^a	2.35 ± 0.24 ^b
Liver index (%) (liver/body weight × 100%)	3.67 ± 0.21	8.9 ± 0.4 ^a	5.73 ± 0.4 ^b
Fasting blood glucose (mmol/L)	4.7 ± 0.5	6.4 ± 1.2	4.8 ± 0.8
Total cholesterol (mmol/L)	3.11 ± 0.15	6.6 ± 0.14 ^a	3.25 ± 0.26 ^b
Triglyceride (mmol/L)	0.68 ± 0.06	1.07 ± 0.25 ^a	0.74 ± 0.05 ^b
Alanine aminotransferase (U/L)	8.71 ± 0.76	17.26 ± 1.18 ^a	11.48 ± 0.45 ^b
Aspartate aminotransferase (U/L)	12.67 ± 1.93	29.28 ± 1.52 ^a	19.02 ± 1.38 ^b
Low density lipoprotein (mmol/L)	0.22 ± 0.03	0.35 ± 0.05	0.15 ± 0.05 ^b
High density lipoprotein (mmol/L)	7.99 ± 0.86	3.24 ± 0.72 ^a	4.94 ± 0.24 ^b
Hepatic lipase (µg/mL)	126.16 ± 15.82	129.85 ± 21.9	161.93 ± 6.97 ^b

Note: Paired Student's *t* test (GraphPad Prism 3.02); ^a*P* < 0.05 vs control; ^b*P* < 0.05 vs PFOA.

[29,30]. In this study, we sought to evaluate the possible protective role of vitamin C on PFOA-induced hepatotoxicity using a mouse model. In the experimental setting, we used a relative high dose of PFOA (10 mg/kg PFOA per day) to make sure the induction of hepatotoxicity in our mouse model as the previous studies [31–34]. Our data for measured lipids parameters related to liver diseases show that PFOA increases the total cholesterol and triglyceride levels, while reducing high-density lipoproteins in the liver (Table 1).

These results are concordant with previous reports, with a cross-sectional study of a middle-aged Danish population highlighting a positive correlation between plasma PFOA levels and total cholesterol [35]. In addition, a study on mice demonstrated that PFOA consumption altered the expression of hepatic sterol genes, causing hypercholesterolemia [36]. Further, PFOA treatment also induced cholesterol and triglyceride in liver. PFOA-induced triglyceride has been reported to interfere with mitochondrial beta-oxidation, causing liver steatosis [11,12]. In our study, liver damage is highlighted by two indicators, aspartate transaminase (AST) and alanine aminotransferase (ALT) (Table 1) [37]. Moreover, liver mass and liver index increases were observed in the PFOA treatment group compared to the control group (Table 1). Interestingly, vitamin C supplementation could attenuate all these indicator inductions in the liver caused by PFOA treatment (Table 1). Although many studies have demonstrated the positive effects of vitamin C on chemical-induced hepatotoxicity and liver injury [17–19], our study is the first to suggest a protective role of this vitamin in PFOA-induced liver damage. Therefore, to better understand the mechanisms underlying this protective role of vitamin C, integrative omics analyses including comparative transcriptomic and metabolomic analyses for determining the profile changes of genes and metabolites, respectively, was conducted.

PFOA hepatotoxicity by alteration of fatty acids and lipids metabolism

From the transcriptomic analysis, we obtained at least 31 million quality-trimmed clean reads per sample, producing 61.05 Gb of quality-trimmed bases in total (Supplementary Table 1), with a mapping rate of over 90% relative to the mouse reference genome (Supplementary Table 1). By comparing the gene expression profiles of PFOA and the control group, 2426 differentially expressed genes (DEGs) including 1066 upregulated and 1360 downregulated are found (Supplementary Fig. 1 and Supplementary Table 2). The DEGs were then subjected to the GO analysis and IPA to understand the biological functions alterations and hepatotoxicity caused by the PFOA treatment, respectively. The GO analysis shows that the PFOA exposure significantly interferes with the metabolism of many fatty acids and lipids (*p* < 0.05), particularly fatty acids beta-oxidation, long chain fatty acids transport, and the acyl-CoA metabolic process (Fig. 1a). Further, the IPA uncovers the critical biological processes and key toxicological responses to PFOA exposure. The Tox Functions analysis (IPA-TOX) suggests that PFOA causes liver and hepatic toxicity through the alteration of live cell proliferation and apoptosis of hepatocytes (Fig. 1b and Supplementary Table 3). These changes induce variable levels of liver inflammation including liver necrosis, hepatic steatosis, and steatohepatitis (Fig. 1b and Supplementary Table 3), with liver cancer and hepatocellular carcinoma as possible outcomes (Fig. 1b and Supplementary Table 3). Our results support previous reports that PFOA induces hepatotoxicity, particularly liver steatosis, through imbalanced fatty acids and lipids homeostasis as well as inducing beta-oxidation [38,39]. However, the detail molecular mechanisms underlying the hepatotoxicity of PFOA remain largely unknown. In this study, we employ comparative transcriptome, followed by

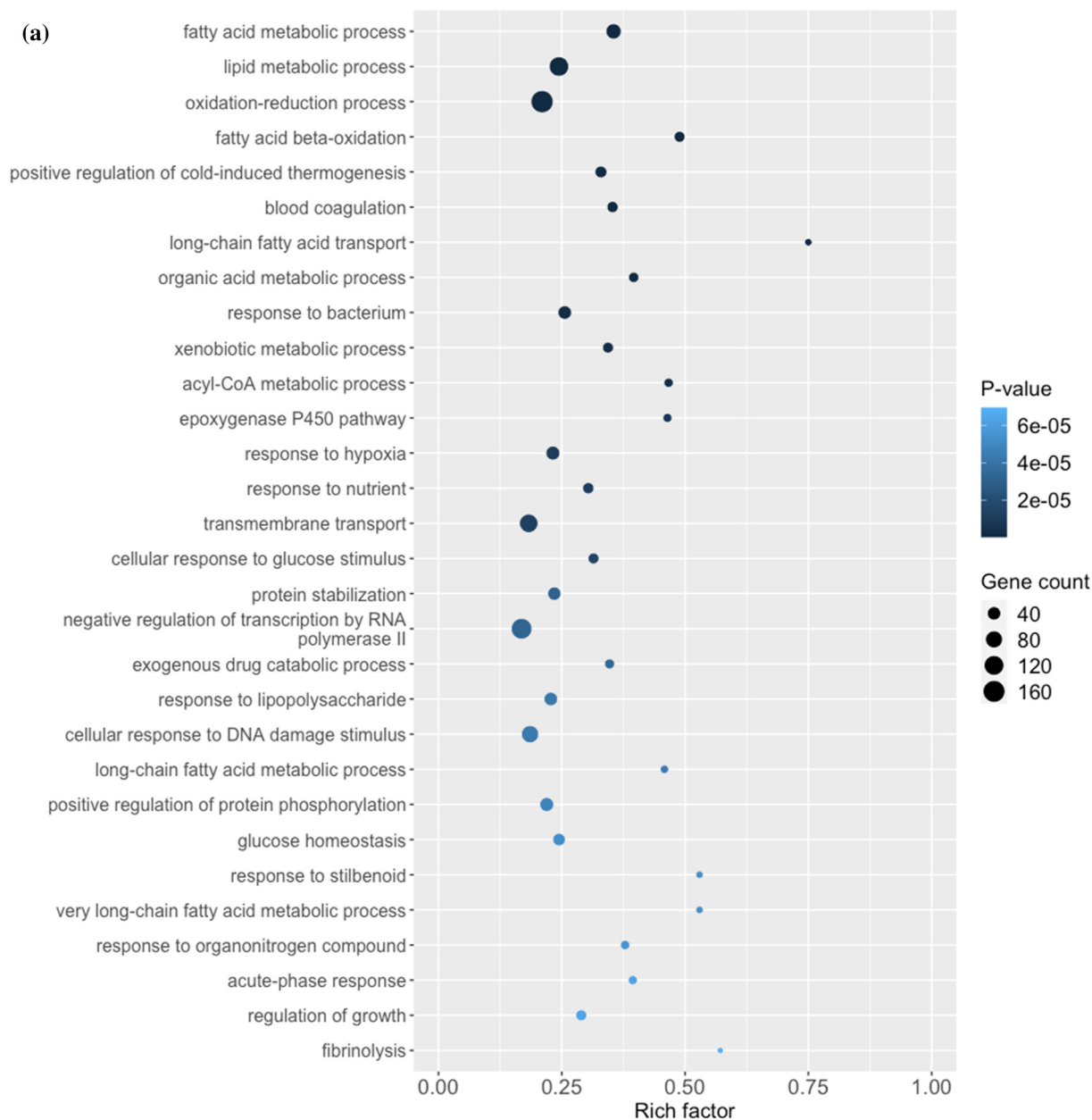


Fig. 1. Plots showing the effect of PFOA on biological processes and functions of mouse liver through interference of gene expression. This comparative transcriptomic analysis demonstrates differential gene expression caused by PFOA (Control vs PFOA group). (a) DEGs evaluated by the Gene Ontology (GO) enrichment analysis. The rich factor plot exhibits the PFOA-altered biological processes ($p < 0.05$). (b) IPA-Tox of Ingenuity Pathway Analysis (IPA) data demonstrating the hepatotoxicity from PFOA ($p < 0.05$).

GO analysis and IPA in identifying key genes and delineating molecular mechanisms for PFOA-induced liver diseases. We observed that the acyl-coenzyme A-related gene family including acyl-CoA oxidase and acyl-CoA thioesterase were identified in PFOA-treated liver. This gene family is closely associated to hepatic oxidative stress, with our data demonstrating acyl-CoA oxidase induction such as ACOX1 and ACOX2. A liver cancer study showed that peroxisomal ACOX1 inhibition prevents oxidative damage [40]. The other acyl-CoA oxidase, ACOX2, is involved in bile acid production, a process that is associated with oxidative stress and triglyceride levels regulation [41]. In fact, overexpression of ACOX2 is reported to cause oxidative stress and death in HepG2 cells [42]. Beside the acyl-CoA oxidase, our results also demonstrate that PFOA treatment caused alterations in many acyl-CoA thioesterases (ACOTs) including ACOT1, ACOT2, ACOT3, ACOT4, ACOT6, ACOT8,

ACOT9, and ACOT13 in mouse liver. These ACOTs play important cellular roles in fatty acids metabolism through the hydrolysis of acyl-CoA ester molecules, yielding coenzyme A and non-esterified fatty acid [43]. Most ACOTs are found in the mitochondrial matrix and are responsible for mitigating β -oxidation overload [44]. The ACOT2 is prominent in highly oxidative tissues such as the liver, and mitochondrial ACOT2 is reported to enhance fatty acid oxidation within those tissues [45]. Thus, identifying these candidates may provide biomarkers for PFOA-induced hepatotoxicity risk assessment.

Liver protection by vitamin C against PFOA-induced hepatotoxicity

Our in vivo mice data show that vitamin C supplementation relieves PFOA-induced hepatotoxicity; thus, we compare the gene

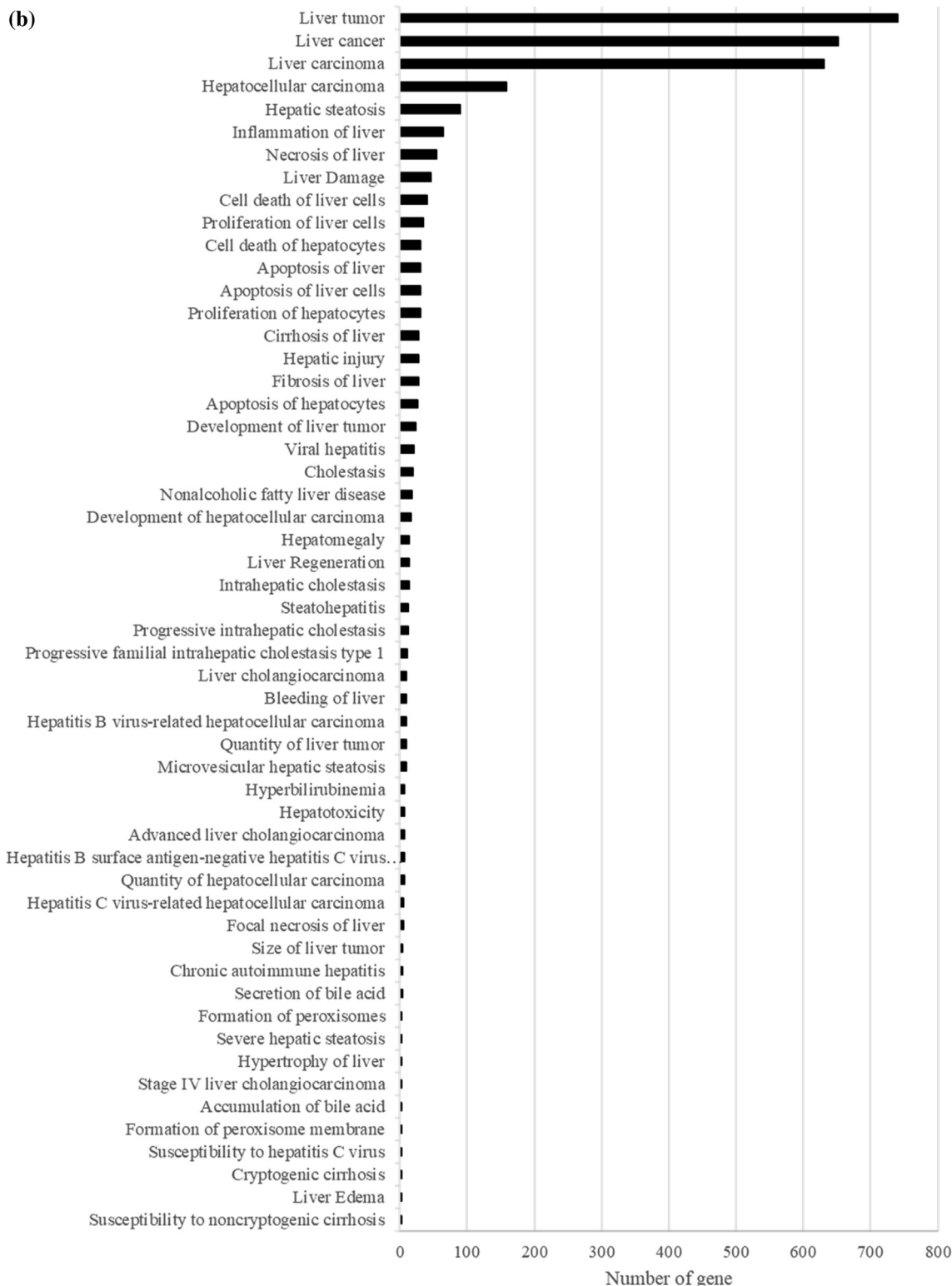


Fig. 1 (continued)

profiles of the vitamin C + PFOA and PFOA groups to further understand the mechanisms underlying this protective role of vitamin C. We found 306 DEGs including 185 upregulated and 121 downregulated (Supplementary Fig. 2 and Supplementary Table 4), with the GO analysis revealing oxidation–reduction as the principal biological process (Fig. 2a). More importantly, the vitamin C sup-

plementation exhibits an inverse relationship to the PFOA level, reflecting negative regulation of lipid biosynthesis that can protect the liver against hepatotoxicity (Fig. 2a). Vitamin C is used as a supplement in our daily life [46], with its anti-oxidative and inflammatory properties exploited for treating liver diseases such as the alcoholic liver disease and liver cancer [47,48]. So, our

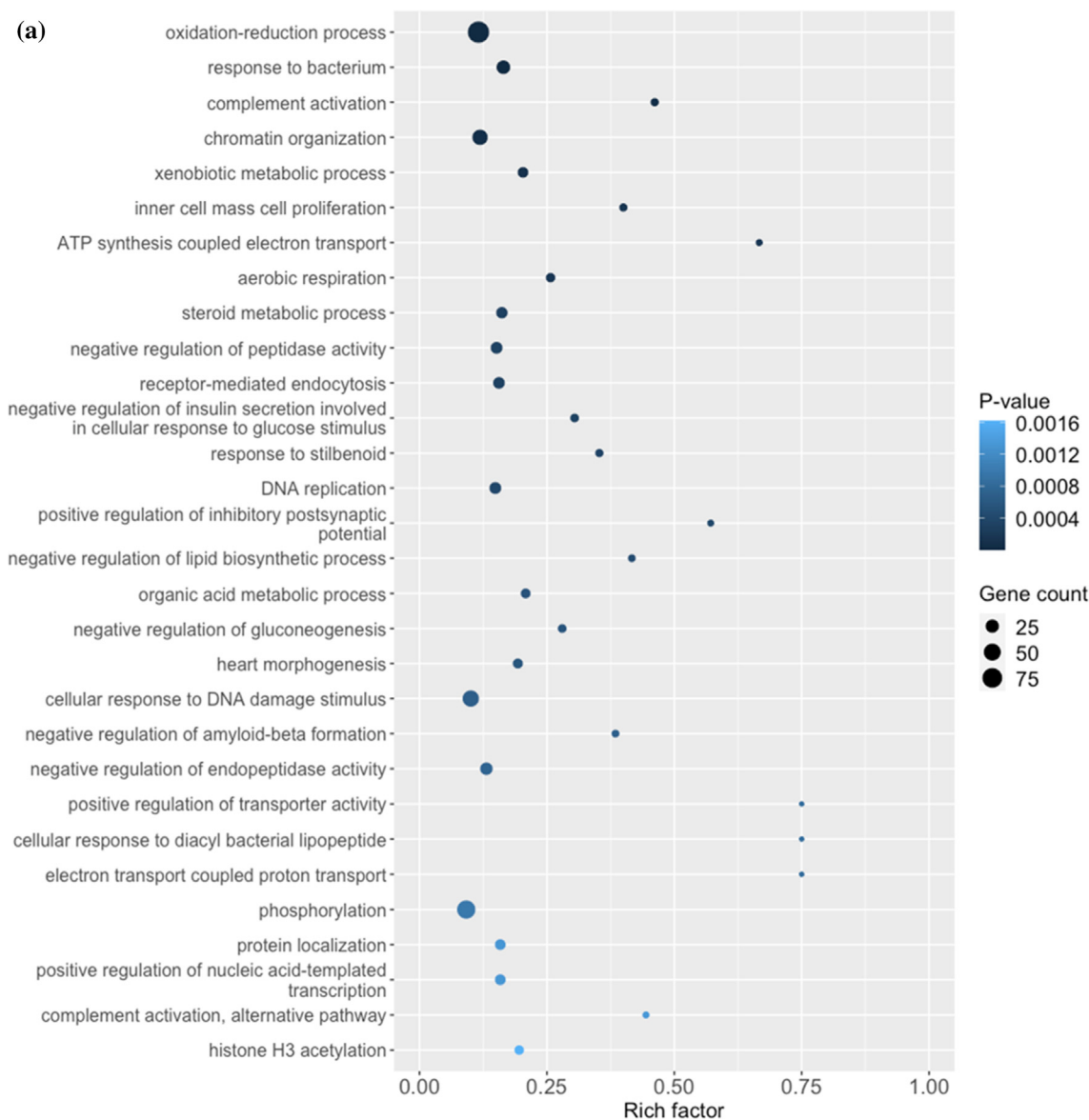


Fig. 2. Diagrams showing vitamin C relieves PFOA-induced hepatotoxicity by controlling gene expression. The comparative transcriptomic analysis reveals differential gene expression induced by vitamin C (PFOA vs vitamin C + PFOA group). (a) The DEGs were assessed by the Gene Ontology (GO) enrichment analysis. The rich factor plot shows that the vitamin C-relieved PFOA-altered biological processes ($p < 0.05$). (b) Data from gene network analysis using IPA, demonstrating cell signaling involved in the protective action of vitamin C.

study, for the first time, provides data indicating vitamin C supplementation can protect the liver against environmental pollutants toxicity. Focusing on genes showing reversed expression under vitamin C supplementation, we found 87 genes that are upregulated by PFOA but downregulated by vitamin C or vice versa (Table 2). These genes were then processed to understand the liver protection mechanisms using IPA. Our results show that vitamin C controls the gene function expression at different cellular levels including the extracellular space, plasma membrane, cytoplasm, and nucleus (Fig. 2b). In the cellular matrix, vitamin C alters the SERPING1, TSKU, MUC6, and COL11A2 expression (Fig. 2b). The SERPING1, also called C1 inhibitor, interacts with some infection agents to influence inflammation suppression [49]. It is also reported to overcome many diseases including sepsis and bacterial infections [50]. The TSKU is a newly identified target of the perox-

isome proliferator-activated receptor alpha ($PPAR\alpha$), playing an important role in lipids metabolism [51]. More importantly, $PPAR\alpha$ activation is a major hepatocarcinogenic action of the PFOA [52]. Conversely, the MUC6, belonging to the mucin family, a large family of O-glycoproteins with high carbohydrate content [53], is critical in maintaining cellular functions, especially through epithelial surfaces. Its aberrant expression influences tumor growth and oxidative stress-induced apoptosis for many cancer types [54,55]. In addition, vitamin C induces COL11A2 expression, causing activation of the scavenger receptor SCARF1 (Fig. 2b). The SCARF1 is responsible for recognizing and engulfing apoptotic cells via the complement component. A SCARF1-deficient mice study demonstrated that losing SCARF1 impairs apoptotic cells uptake [56]. So, vitamin C induced SCARF1 likely promotes unwanted cells removal in the liver. Beside SCARF1, vitamin C supplementa-

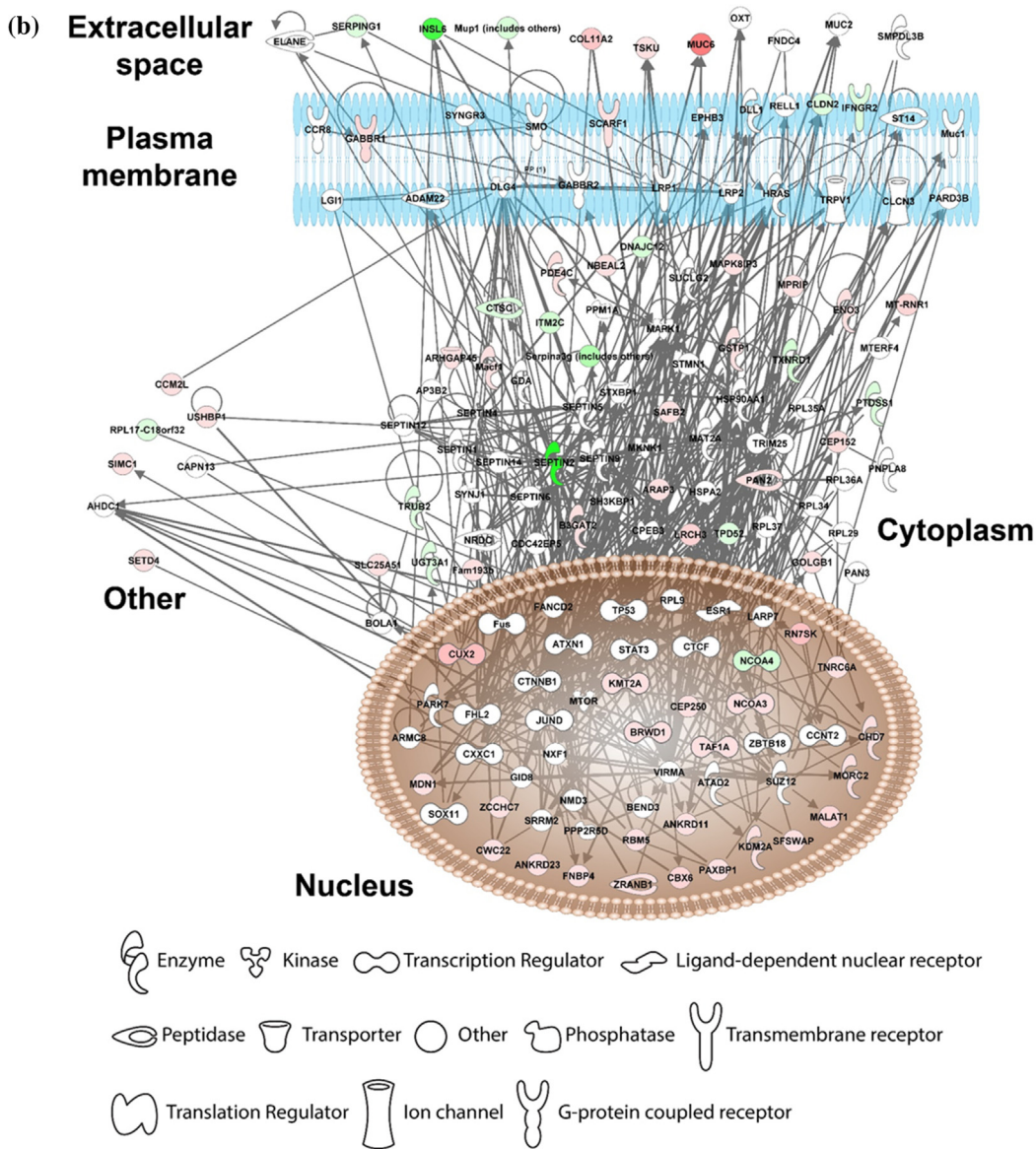


Fig. 2 (continued)

Table 2
Data summarizing the effect of Vitamin C on PFOA-induced gene expression.

Gene symbol	Gene name	PFOA/Ctrl (up/down)	VC + PFOA/PFOA (up/down)	change
Ankrd11	ankyrin repeat domain 11	down	up	down-up
Ankrd23	ankyrin repeat domain 23	down	up	down-up
Arap3	ArfGAP with RhoGAP domain, ankyrin repeat and PH domain 3	down	up	down-up
Arhgap45	Rho GTPase activating protein 45	down	up	down-up
B3gat2	beta-1,3-glucuronyltransferase 2 (glucuronosyltransferase S)	down	up	down-up
Brwd1	bromodomain and WD repeat domain containing 1	down	up	down-up
Cbx6	chromobox 6	down	up	down-up
Ccm2l	cerebral cavernous malformation 2-like	down	up	down-up
Cep152	centrosomal protein 152	down	up	down-up
Cep250	centrosomal protein 250	down	up	down-up
Chd7	chromodomain helicase DNA binding protein 7	down	up	down-up
Cldn2	claudin 2	up	down	up-down
Col11a2	collagen, type XI, alpha 2	down	up	down-up
Ctsc	cathepsin C	up	down	up-down
Cux2	cut-like homeobox 2	down	up	down-up

(continued on next page)

Table 2 (continued)

Gene symbol	Gene name	PFOA/Ctrl (up/down)	VC + PFOA/PFOA (up/down)	change
Cwc22	CWC22 spliceosome-associated protein	down	up	down-up
Cyp2j9	cytochrome P450, family 2, subfamily j, polypeptide 9	down	up	down-up
Dnajc12	Dnaj heat shock protein family (Hsp40) member C12	up	down	up-down
Doc2g	double C2, gamma	down	up	down-up
Eno3	enolase 3, beta muscle	down	up	down-up
Fnbp4	formin binding protein 4	down	up	down-up
Gabbr1	gamma-aminobutyric acid (GABA) B receptor, 1	down	up	down-up
Gk	glycerol kinase	up	down	up-down
Golgb1	golgi autoantigen, golgin subfamily b, macrogolgin 1	down	up	down-up
Gstp2	glutathione S-transferase, pi 2	down	up	down-up
Gtf2ird2	GTF2I repeat domain containing 2	down	up	down-up
Hspd1-ps3	heat shock protein 1 (chaperonin), pseudogene 3	up	down	up-down
Ifi47	interferon gamma inducible protein 47	up	down	up-down
Ifngr2	interferon gamma receptor 2	up	down	up-down
Insl6	insulin-like 6	up	down	up-down
Itm2c	integral membrane protein 2C	up	down	up-down
Kcnq1ot1	KCNQ1 overlapping transcript 1	down	up	down-up
Kdm2a	lysine (K)-specific demethylase 2A	down	up	down-up
Kmt2a	lysine (K)-specific methyltransferase 2A	down	up	down-up
Lrch3	leucine-rich repeats and calponin homology (CH) domain containing 3	down	up	down-up
Macf1	microtubule-actin crosslinking factor 1	down	up	down-up
Malat1	metastasis associated lung adenocarcinoma transcript 1 (non-coding RNA)	down	up	down-up
Mapk8ip3	mitogen-activated protein kinase 8 interacting protein 3	down	up	down-up
Mdn1	midasin AAA ATPase 1	down	up	down-up
Mfsd2b	major facilitator superfamily domain containing 2B	down	up	down-up
Mir99ahg	Mir99a and Mirlet7c-1 host gene (non-protein coding)	down	up	down-up
Morc2a	microorchidia 2A	down	up	down-up
Mprp	myosin phosphatase Rho interacting protein	down	up	down-up
mt-Rnr1	mitochondrially encoded 12S rRNA	down	up	down-up
mt-Rnr2	mitochondrially encoded 16S rRNA	down	up	down-up
mt-Ti	mitochondrially encoded tRNA isoleucine	down	up	down-up
Muc6	mucin 6, gastric	down	up	down-up
Mup18	major urinary protein 18	up	down	up-down
Nbeal2	neurobeachin-like 2	down	up	down-up
Ncoa3	nuclear receptor coactivator 3	down	up	down-up
Ncoa4	nuclear receptor coactivator 4	up	down	up-down
Oaz1-ps	ornithine decarboxylase antizyme 1, pseudogene	up	down	up-down
Ovgp1	oviductal glycoprotein 1	down	up	down-up
Pakap	paralemmin A kinase anchor protein	down	up	down-up
Pan2	PAN2 poly(A) specific ribonuclease subunit	down	up	down-up
Paxbp1	PAX3 and PAX7 binding protein 1	down	up	down-up
Pde4c	phosphodiesterase 4C, cAMP specific	down	up	down-up
Pgam1-ps2	phosphoglycerate mutase 1, pseudogene 2	up	down	up-down
Pgk1-rs7	phosphoglycerate kinase-1, related sequence-7	up	down	up-down
Ptdss1	phosphatidylserine synthase 1	up	down	up-down
Rapgef4os2	Rap guanine nucleotide exchange factor (GEF) 4, opposite strand 2	down	up	down-up
Rbm5	RNA binding motif protein 5	down	up	down-up
Rmrp	RNA component of mitochondrial RNAase P	down	up	down-up
Rn7s1	7S RNA 1	down	up	down-up
Rn7s2	7S RNA 2	down	up	down-up
Rn7sk	RNA, 7SK, nuclear	down	up	down-up
Rpl28-ps3	ribosomal protein L28, pseudogene 3	up	down	up-down
Rpl31-ps9	ribosomal protein L31, pseudogene 9	up	down	up-down
Safb2	scaffold attachment factor B2	down	up	down-up
Scarf1	scavenger receptor class F, member 1	down	up	down-up
Sept2	septin 2	up	down	up-down
Serpina3f	serine (or cysteine) peptidase inhibitor, clade A, member 3F	up	down	up-down
Serping1	serine (or cysteine) peptidase inhibitor, clade G, member 1	up	down	up-down
Setd4	SET domain containing 4	down	up	down-up
Sfswap	splicing factor SWAP	down	up	down-up
Simc1	SUMO-interacting motifs containing 1	down	up	down-up
Slc25a51	solute carrier family 25, member 51	down	up	down-up
Taf1a	TATA-box binding protein associated factor, RNA polymerase I, A	down	up	down-up
Tnrc6a	trinucleotide repeat containing 6a	down	up	down-up
Tpd52	tumor protein D52	up	down	up-down
Trub2	TruB pseudouridine (psi) synthase family member 2	up	down	up-down
Tsku	tsukushi, small leucine rich proteoglycan	down	up	down-up
Txnrd1	thioredoxin reductase 1	up	down	up-down
Ugt3a1	UDP glycosyltransferases 3 family, polypeptide A1	up	down	up-down
Ushbp1	USH1 protein network component harmonin binding protein 1	down	up	down-up
Zcchc7	zinc finger, CCHC domain containing 7	down	up	down-up
Zranb1	zinc finger, RAN-binding domain containing 1	down	up	down-up

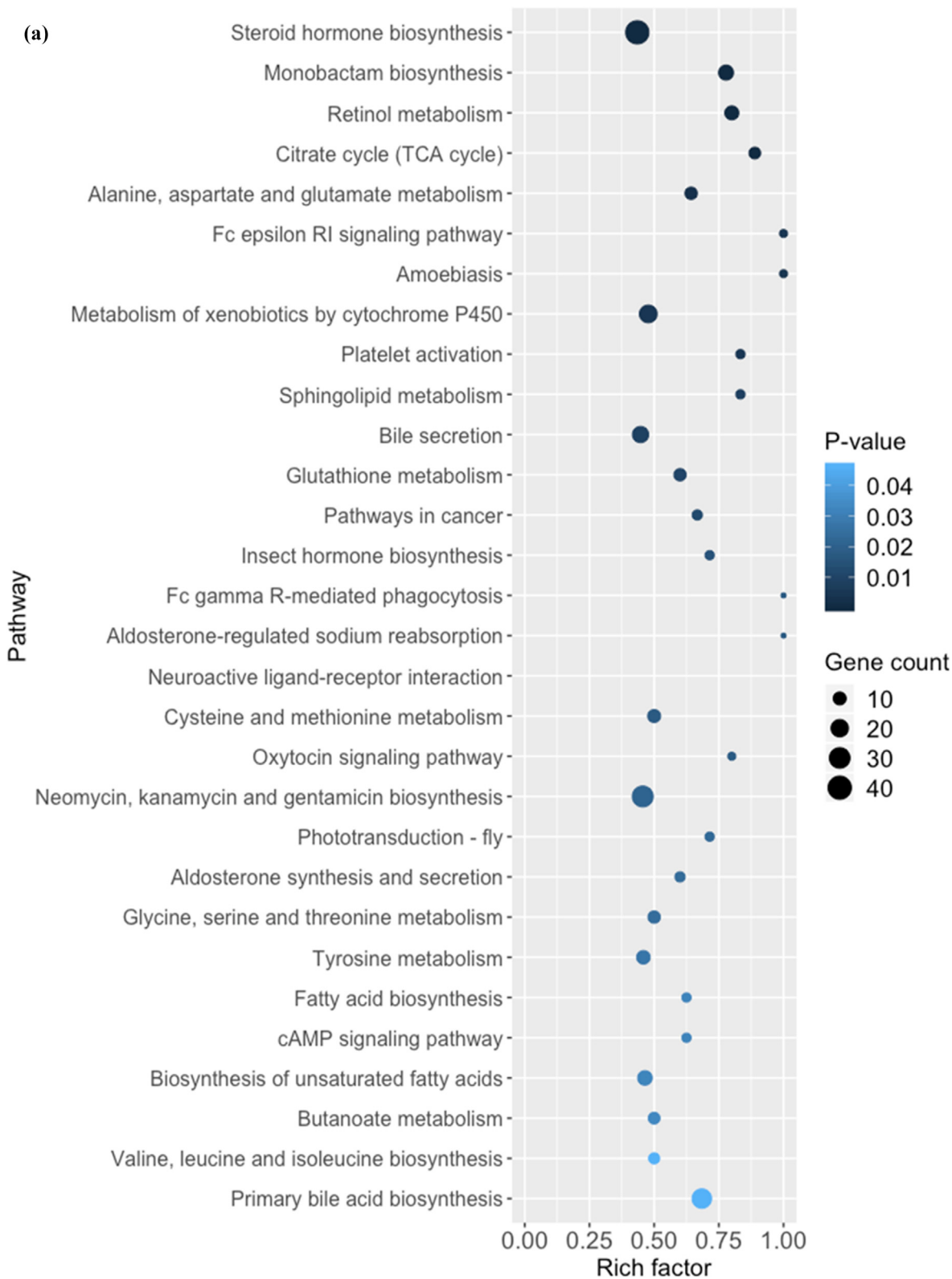


Fig. 3. Diagrams demonstrating PFOA altered biological functions of the liver through metabolites interference. The altered metabolites are evaluated by the Gene Ontology (GO) enrichment analysis and MetaboAnalyst online tool. (a) Rich factor plot showing the ratio of changed metabolites to the number of metabolites annotated in the altered biological processes ($p < 0.05$). (b) Pathway analysis data for metabolic pathways altered by the PFOA hepatotoxicity. (c) Illustration of PFOA alteration of the metabolites involved in steroid hormone biosynthesis. (d) Display of PFOA alteration of the metabolites connected with biosynthesis of unsaturated fatty acid. (e) Evidence of PFOA alteration of the metabolites involved in primary bile acid biosynthesis. (f) Diagram showing PFOA also affected the metabolites involved in the citrate cycle (TCA cycle). The red circles represent the metabolites upregulation, while blue circles denote downregulation.

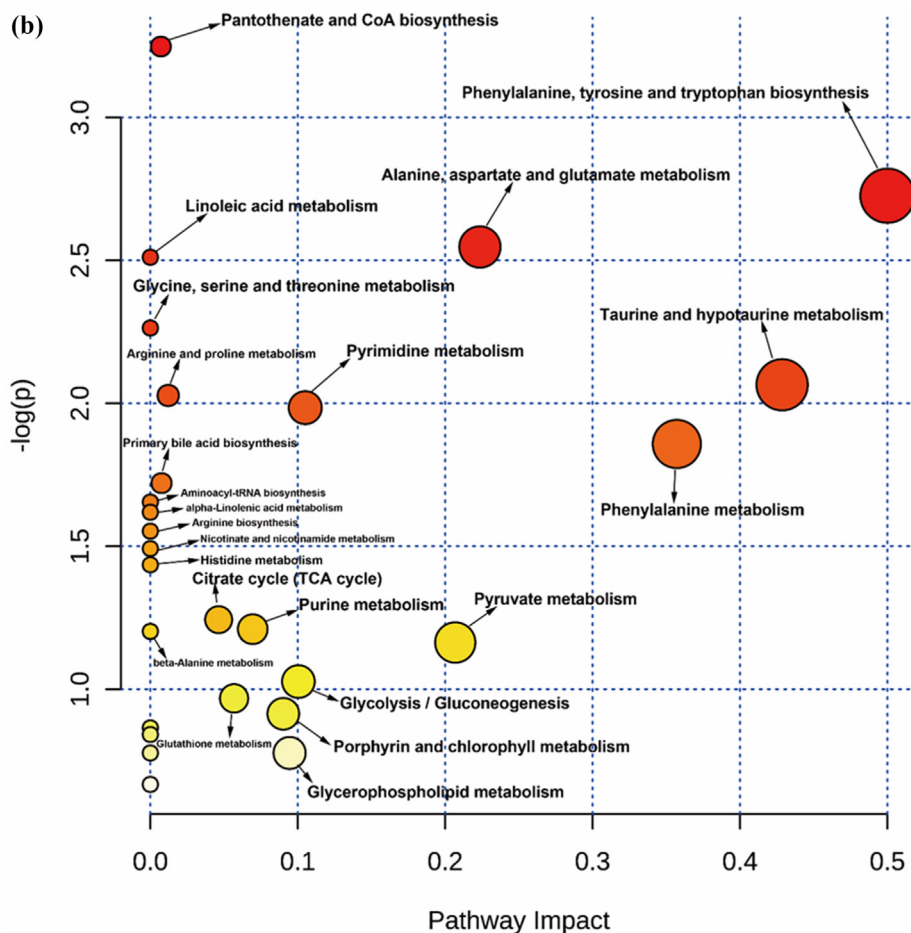


Fig. 3 (continued)

tion reduces the expression of the cell–cell adhesion molecules CLDN2 and cytokine receptor (IFNGR2), which are associated with liver diseases (Fig. 2b). The CLDN2 belongs to the claudin protein family [57], and a knockout (*Cldn2*^{-/-}) mice study suggested that its depletion limits bile formation and secretion, which are essential functions of the hepatobiliary system [58]. In addition, CLDN2 is associated with oxidative stress in type 1 diabetic nephropathy [59]. Conversely, IFNGR2 encodes the non-ligand-binding beta chain of the gamma interferon receptor [60], and a clinical study highlighted its strong link to fibrosis progression in patients with chronic hepatitis C virus [61]. Our data also suggest that vitamin C relieves PFOA-induced hepatic steatosis. Therefore, vitamin C may play this role through the reduction of IFNGR2. Overall, our transcriptomic analysis demonstrates that vitamin C protects the liver from PFOA toxicity through the modulation of a series of cell signaling pathways.

Classification of metabolites identified in mice livers

Since the liver is an important organ for toxicants metabolism, we measured changes in liver metabolites through metabolomic analysis to elucidate mechanisms underlying the protective role of vitamin C. MetaX analysis enabled metabolites identification based on the retention time (RT) and *m/z* data; the untargeted metabolomic analysis yielded 9451 features in the PIM and 8122 features in the NIM. The features were evaluated through an HMDB

search. In single-stage mass spectrometry (MS1) analysis, we identified 5091 metabolites in the PIM (Supplementary Table 5) and 3326 metabolites in the NIM (Supplementary Table 6) in the liver tissue samples. Based on the identified metabolites classification, the most abundant metabolites in the samples are lipid molecules, phenylpropanoids, and polyketides (Supplementary Fig. 3).

Perfluorooctanoic acid-altered liver metabolism

Comparative metabolomic analysis is then used to determine the hepatic toxicological effects of PFOA. In the MS1 analysis, we compare the metabolites levels in the PFOA treatment with those of the control group; we found 741 upregulated and 736 downregulated metabolites in the PIM (Supplementary Fig. 4 and Supplementary Table 7) and 759 upregulated and 643 downregulated metabolites in the NIM (Supplementary Figure 5 and Supplementary Table 8). The deregulated metabolites are then examined by the KEGG pathway analysis and MetaboAnalyst online tool for understanding the harmful effects of PFOA. Our results reveal that the PFOA treatment alters many biological processes and the biosynthesis of essential products in the liver (Fig. 3a and b). Many of these processes such as steroid hormones (Fig. 3c) and unsaturated fatty acids (Fig. 3d) biosynthesis are affected by liver disorders. Additionally, the PFOA treatment interrupted primary bile acid biosynthesis (Fig. 3e) and energy production through the TCA cycle (Fig. 3f). Bile acids are steroid acids that are synthesized

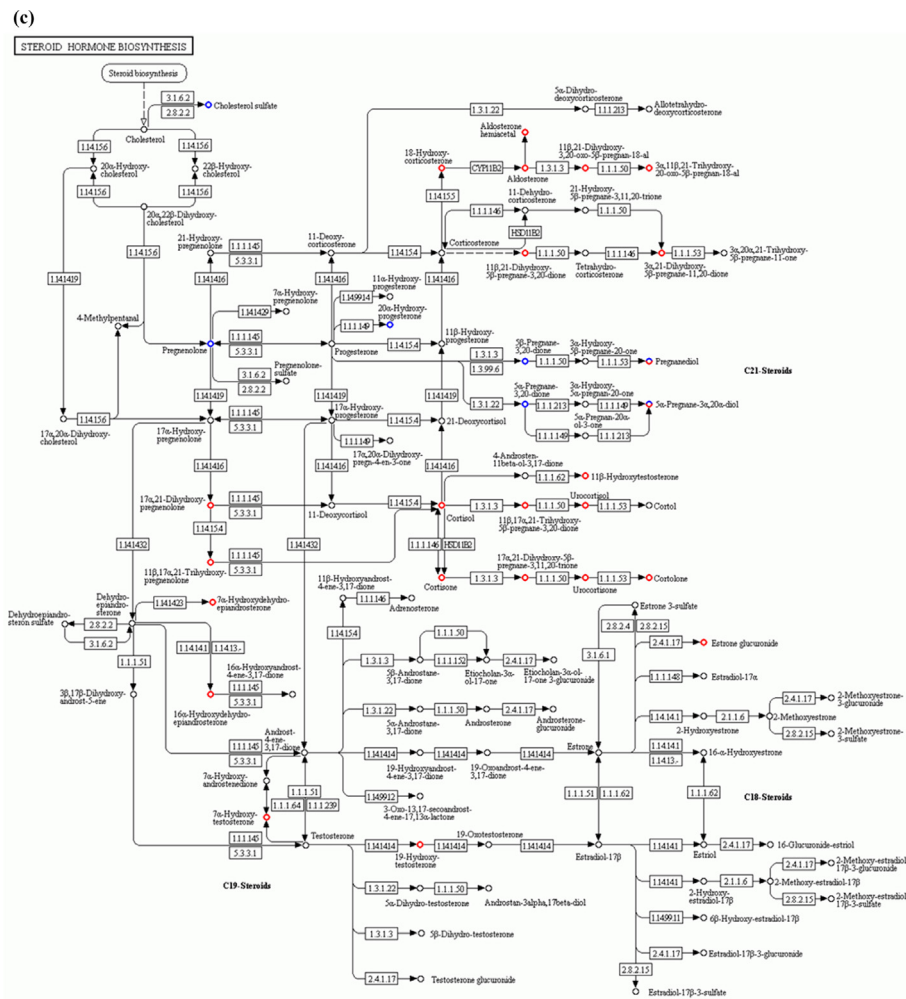


Fig. 3 (continued)

and conjugated with taurine or glycine in mammalian and other vertebrate livers. A major function of bile acid is facilitating biliary cholesterol secretion, which is essential for liver protection from cholesterol toxicity [62]. The bile acid metabolism alteration by PFOA probably explains the elevated observed liver cholesterol (Table 1). Steroid hormones derived from cholesterol are synthesized mainly in endocrine glands including the gonads, with circulating steroids extensively metabolized in the liver before conversion and catabolism to active forms [63]. Glucocorticoids, a kind of steroid hormones, are responsible for diverse metabolic functions and driving the NAFLD [64]. In addition, unsaturated fatty acids levels are closely associated with hepatic steatosis [65]. Therefore, the bile acids, steroid hormones, and unsaturated fatty acids alterations by PFOA treatment likely contributed to the observed liver damage.

Protective effect of vitamin C on PFOA-induced liver damage

We attempted to elucidate the protective effect of vitamin C on PFOA-induced hepatic toxicity by conducting a subtractive metabolomic analysis. By comparing the metabolic profiles of the PFOA group samples and the PFOA + vitamin C group using the MS1 analysis, we identified 132 (36 upregulated and 96 downregulated)

(Supplementary Table 9) and 90 (19 upregulated and 71 downregulated) (Supplementary Table 10) metabolites that changed between the groups under the PIM (Supplementary Figure 6) and the NIM (Supplementary Figure 7), respectively. The deregulated metabolites were then subjected to the KEGG pathway analysis. Our results show that vitamin C supplementation reduces the levels of many metabolites including 9-OxoODE and 13-OxoODE, that are involved in linoleic acid metabolism (Table 3 and Fig. 4). Dietary conjugated linoleic acid is reported to induce severe hepatic steatosis in mice [66]. More importantly, 9(S)-HODE and 13(S)-HODE, the precursors of 9-OxoODE and 13-OxoODE, respectively, were elevated under oxidative stress and contributed to a hepatic proinflammatory response, thereby exacerbating liver injury [67]. Therefore, the linoleic acid metabolites reduction by vitamin C supplementation can retard PFOA-induced hepatic inflammatory response and hepatotoxicity. Additionally, vitamin C supplementation can cause downregulation of thiodiglycolic acid (TDGA) by the cytochrome P450 system (Table 3). An epidemiological study conducted in Taiwan demonstrated that urinary TDGA is associated with an increased risk of non-alcoholic fatty liver disease in children [68]. Furthermore, urinary TDGA levels are also linked with hepatotoxicity susceptibility [69]. Therefore, the TDGA

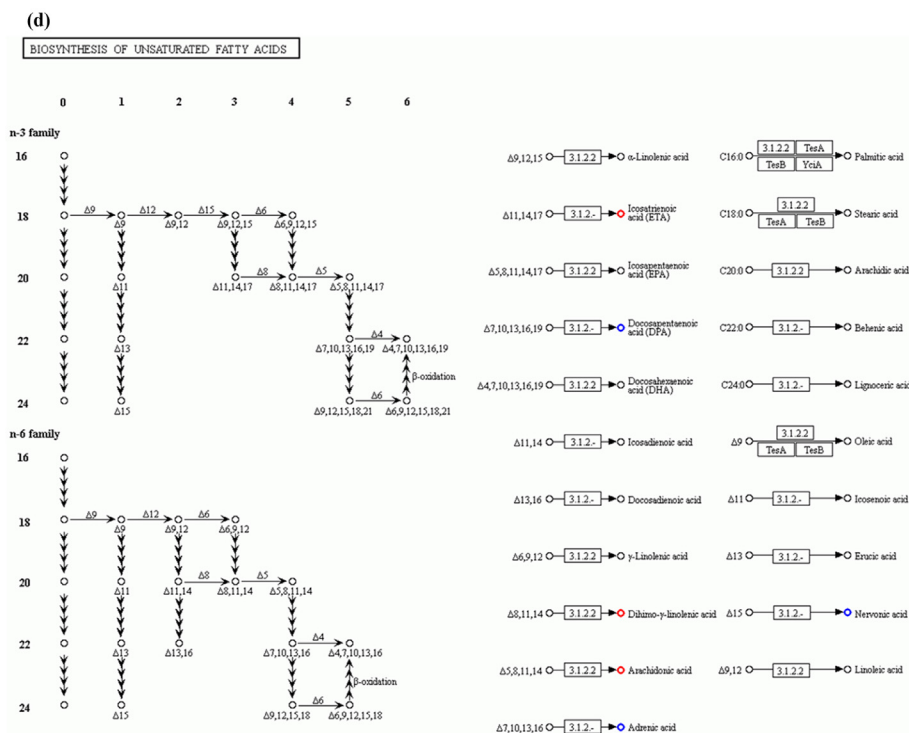


Fig. 3 (continued)

levels reduction further supports our finding that vitamin C provides protection against PFOA-induced liver damage. Lastly, our data highlight glutathione upregulation under vitamin C treatment (Table 3). Glutathione is an antioxidant that can also be elevated in red blood cells by vitamin C [70]. A similar protective effect was reported in a study on rat, in which combining vitamins E and C decreased ethanol-induced hepatic glutathione peroxidase activity and hepatic fibrosis [71]. For the limitation of this study, we used a relative high dose of PFOA (10 mg/kg PFOA per day), which is much higher than the environmentally relevant concentrations. Although the dose is similar to many previous PFOA studies in mouse [31–34], dose-dependent study would further secure the finding of our work.

In conclusion, this study identified PFOA-responsive genes and metabolites as biomarkers for risk assessment. Also, our results provided novel detail mechanism underlying the protective role vitamin C supplementation on PFOA-induced hepatotoxicity. The hepatic protective effect of vitamin C against PFOA was through the mediation of linoleic acid metabolism, thiodiglycolic acid suppression, and glutathione induction.

Compliance with Ethics Requirements

All procedures followed were in accordance with the ethical standards of the responsible committee on human experimentation (institutional and national) and with the Helsinki Declaration of 1975, as revised in 2008 (5). Informed consent was obtained from all patients for being included in the study.

Declaration of Competing Interest

The authors declare that they have no known competing financial interests or personal relationships that could have appeared to influence the work reported in this paper.

Acknowledgements

This study was partially supported by the National Natural Science Foundation of China (Nos. 81973574, 81660610 and 81560134), the National Natural Science Foundation of Guangxi Province (Nos. 2019GXNSFBA185015, 2019GXNSFFA245001, 2017GXNSFDA198019, 2018GXNSFBA281025, and

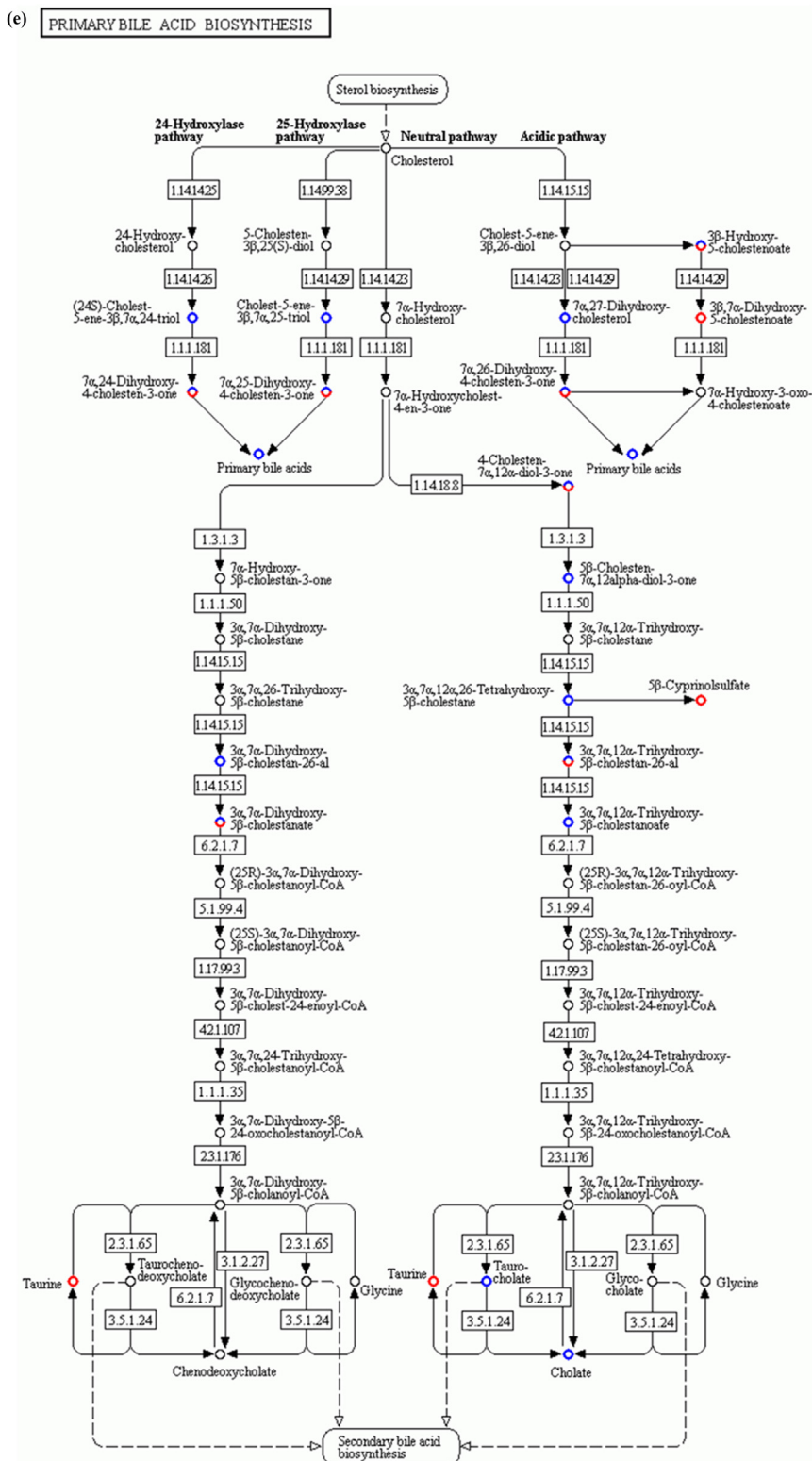


Fig. 3 (continued)

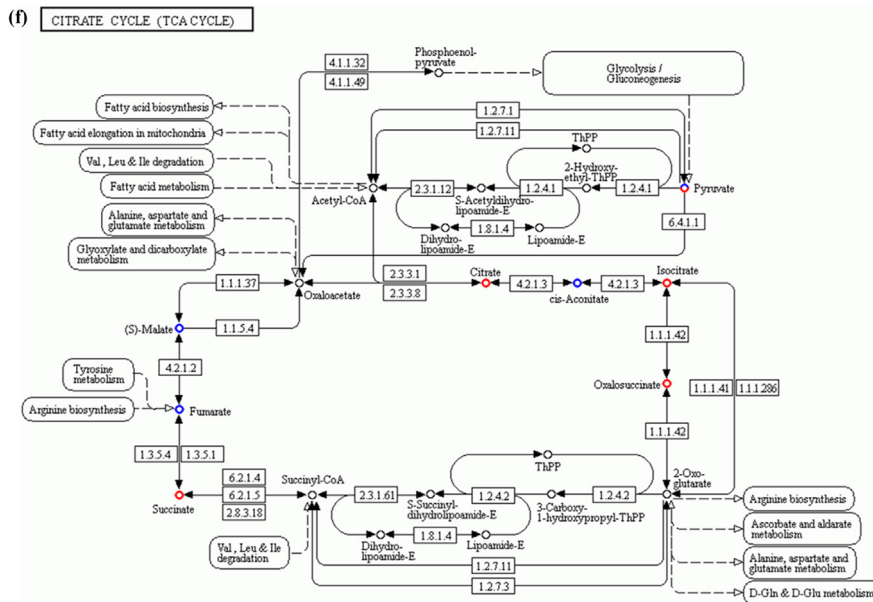


Fig. 3 (continued)

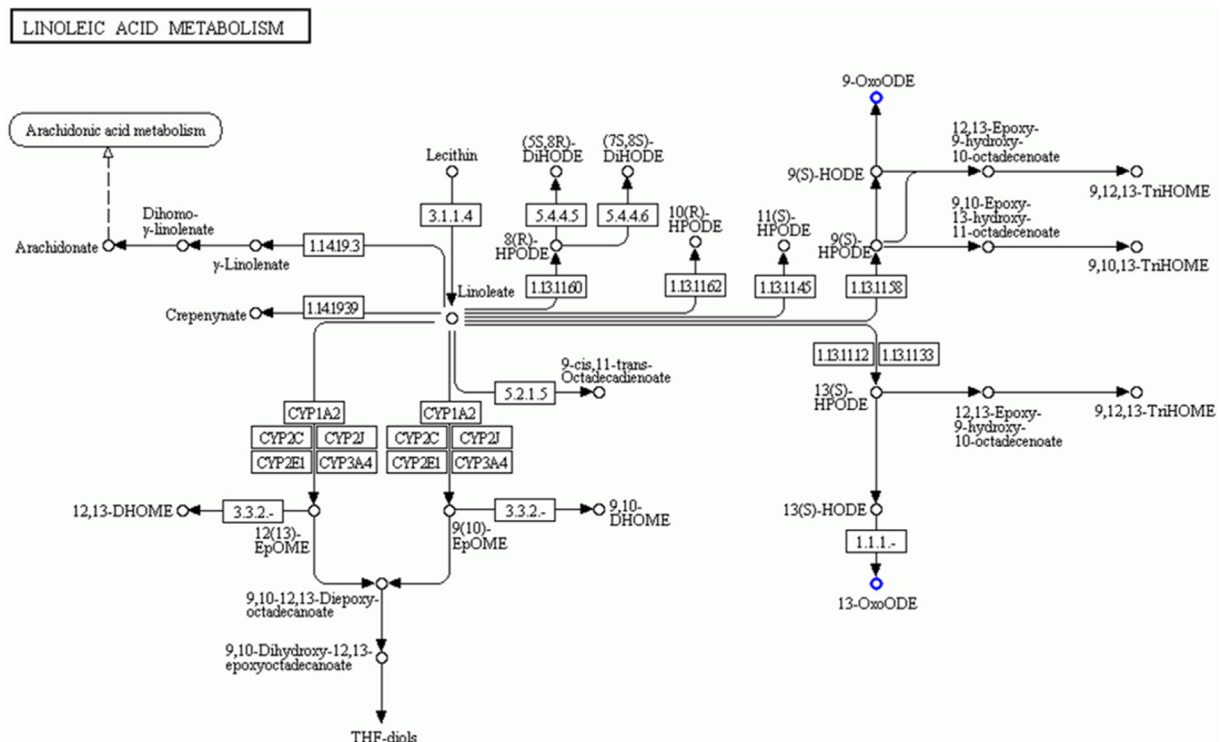


Fig. 4. Evidence of vitamin C relief of PFOA-induced hepatotoxicity via changes of metabolites in the liver. The comparative metabolomic analysis used for determining the metabolites changes involved in the vitamin C protection on PFOA-induced hepatotoxicity (PFOA vs vitamin C + PFOA group). GO analysis highlighting reduced linoleic acid metabolism involvement in the vitamin C-relief of PFOA-induced hepatotoxicity.

Table 3
Summary of Metabolic Pathways for Vitamin C Associated with PFOA-Induced Toxicity.

Pathway	number of metabolites	p-value	metabolites
Metabolism of xenobiotics by cytochrome P450	4	0.0035	Thiodiacetic acid, (1R)-Hydroxy-(2R)-N-acetyl-L-cysteiny-1,2-dihydronaphthalene, (1R)-N-Acetyl-L-cysteiny-(2R)-hydroxy-1,2-dihydronaphthalene, (1S)-Hydroxy-(2S)-N-acetyl-L-cysteiny-1,2-dihydronaphthalene
ABC transporters	4	0.037	Glutathione, Raffinose, Maltotriose, Isomaltotriose
Inflammatory mediator regulation of TRP channels	2	0.025	1,8-Cineole, Phorbol
Linoleic acid metabolism	2	0.0087	13-OxoODE, 9-OxoODE
Renal cell carcinoma	1	0.014	(S)-Malate

2018GXNSFAA281159), and Scientific Research and Technology Development Project of Guigang City (No. 1908029). Keng Po Lai was supported by the Hong Kong SAR, Macao SAR, and Taiwan Province Talented Young Scientist Program of Guangxi.

Ethics statement

All experiments involving animals were conducted according to the ethical policies and procedures approved by the ethics committee of the Guilin Medical University, China (Approval no. GLMC201503003).

Appendix A. Supplementary material

Supplementary data to this article can be found online at <https://doi.org/10.1016/j.jare.2021.04.003>.

References

- [1] Susmann HP, Schaidler LA, Rodgers KM, Rudel RA. Dietary habits related to food packaging and population exposure to PFASs. *Environ Health Perspect* 2019;127:107003.
- [2] Tanner EM, Bloom MS, Wu Q, Kannan K, Yucel RM, Shrestha S, et al. Occupational exposure to perfluoroalkyl substances and serum levels of perfluorooctanesulfonic acid (PFOS) and perfluorooctanoic acid (PFOA) in an aging population from upstate New York: a retrospective cohort study. *Int Arch Occup Environ Health* 2018;91:145–54.
- [3] Ye X, Kato K, Wong LY, Jia T, Kalathil A, Latremouille J, et al. Per- and polyfluoroalkyl substances in sera from children 3 to 11 years of age participating in the National Health and Nutrition Examination Survey 2013–2014. *Int J Hyg Environ Health*. 2018;221:9–16.
- [4] He X, Liu Y, Xu B, Gu L, Tang W. PFOA is associated with diabetes and metabolic alteration in US men: National Health and Nutrition Examination Survey 2003–2012. *Sci Total Environ* 2018;625:566–74.
- [5] Bassler J, Ducatman A, Elliott M, Wen S, Wahlang B, Barnett J, et al. Environmental perfluoroalkyl acid exposures are associated with liver disease characterized by apoptosis and altered serum adipocytokines. *Environ Pollut* 2019;247:1055–63.
- [6] Honda-Kohmo K, Hutcheson R, Innes KE, Conway BN. Perfluoroalkyl substances are inversely associated with coronary heart disease in adults with diabetes. *J Diabetes Complications*. 2019;33:407–12.
- [7] Cluett R, Seshasayee SM, Rokoff LB, Rifas-Shiman SL, Ye X, Calafat AM, et al. Per- and polyfluoroalkyl substance plasma concentrations and bone mineral density in midchildhood: A cross-sectional study (Project Viva, United States). *Environ Health Perspect*. 2019;127:87006.
- [8] Li R, Guo C, Tse WKF, Su M, Zhang X, Lai KP. Metabolomic analysis reveals metabolic alterations of human peripheral blood lymphocytes by perfluorooctanoic acid. *Chemosphere* 2020;239:124810.
- [9] Darrow LA, Groth AC, Winquist A, Shin HM, Bartell SM, Steenland K. Modeled Perfluorooctanoic Acid (PFOA) Exposure and Liver Function in a Mid-Ohio Valley Community. *Environ Health Perspect*. 2016;124:1227–33.
- [10] Jin R, McConnell R, Catherine C, Xu S, Walker DI, Stratakis N, et al. Perfluoroalkyl substances and severity of nonalcoholic fatty liver in Children: An untargeted metabolomics approach. *Environ Int* 2020; 134: 105220.
- [11] Hui Z, Li R, Chen L. The impact of exposure to environmental contaminant on hepatocellular lipid metabolism. *Gene* 2017;622:67–71.
- [12] Das KP, Wood CR, Lin MT, Starkov AA, Lau C, Wallace KB, et al. Perfluoroalkyl acids-induced liver steatosis: Effects on genes controlling lipid homeostasis. *Toxicology* 2017;378:37–52.
- [13] Oliveira CP, Gayotto LC, Tatai C, Della Nina BI, Lima ES, Abdalla DS, et al. Vitamin C and vitamin E in prevention of Nonalcoholic Fatty Liver Disease (NAFLD) in choline deficient diet fed rats. *Nutr J*. 2003;2:9.
- [14] Park SH, Han AL, Kim NH, Shin SR. Liver histological improvement after administration of high-dose Vitamin C in Guinea Pig with nonalcoholic steatohepatitis. *Int J Vitam Nutr Res*. 2018;88:263–9.
- [15] Bashandy SAE, Ebaid H, Abdelmottaleb Moussa SA, Alhazza IM, Hassan I, Alaamer A, et al. Potential effects of the combination of nicotinamide, vitamin B2 and vitamin C on oxidative-mediated hepatotoxicity induced by thioacetamide. *Lipids Health Dis*. 2018;14(17):29.
- [16] Xu P, Li Y, Yu Z, Yang L, Shang R, Yan Z. Protective effect of Vitamin C on triptolide-induced acute hepatotoxicity in mice through mitigation of oxidative stress. *An Acad Bras Cienc*. 2019;91:20181257.
- [17] Badgular PC, Chandratre GA, Pawar NN, Telang AG, Kurade NP. Fipronil induced oxidative stress involves alterations in SOD1 and catalase gene expression in male mice liver: Protection by vitamins E and C. *Environ Toxicol*. 2016;31:1147–58.
- [18] Arslan M, Sezen SC, Turgut HC, Kocbiyik M, Arpacı H, Comu FM, et al. Vitamin C ameliorates high dose Dexmedetomidine induced liver injury. *Bratisl Lek Listy*. 2016;117:36–40.
- [19] Mondal R, Biswas S, Chatterjee A, Mishra R, Mukhopadhyay A, Bhadra RK, et al. Protection against arsenic-induced hematological and hepatic anomalies by supplementation of vitamin C and vitamin E in adult male rats. *J Basic Clin Physiol Pharmacol*. 2016;27:643–52.
- [20] Wu X, Xie G, Xu X, Wu W, Yang B. Adverse bioeffect of perfluorooctanoic acid on liver metabolic function in mice. *Environ Sci Pollut Res Int*. 2018;25:4787–93.
- [21] Su M, Liang X, Xu X, Wu X, Yang B. Hepatoprotective benefits of vitamin C against perfluorooctane sulfonate-induced liver damage in mice through suppressing inflammatory reaction and ER stress. *Environ Toxicol Pharmacol*. 2019;65:60–5.
- [22] Xu X, Guo C, Liang X, Li R, Chen J. Potential biomarker of fibroblast growth factor 21 in valproic acid-treated livers. *BioFactors* 2019;45:740–9.
- [23] Li R, Ma X, Song Y, Zhang Y, Xiong W, Li L, et al. Anti-colorectal cancer targets of resveratrol and biological molecular mechanism: Analyses of network pharmacology, human and experimental data. 2019;11265–11273.
- [24] Zhou R, Wu K, Su M, Li R. Bioinformatic and experimental data decipher the pharmacological targets and mechanisms of plumbagin against hepatocellular carcinoma. *Environ Toxicol Pharmacol*. 2019;70:103200.
- [25] Li R, Qin X, Liang X, Liu M, Zhang X. Lipidomic characteristics and clinical findings of epileptic patients treated with valproic acid. *J Cell Mol Med*. 2019;23:6017–23.
- [26] Li R, Guo C, Lin X, Chan TF, Lai KP, Chen J. Integrative omics analyses uncover the mechanism underlying the immunotoxicity of perfluorooctanesulfonate in human lymphocytes. *Chemosphere* 2020;256:127062.
- [27] Chong J, Soufan O, Li C, et al. MetaboAnalyst 4.0: towards more transparent and integrative metabolomics analysis. *Nucleic Acids Res*. 2018;46(W1):W486–94.
- [28] Jin R, McConnell R, Catherine C, Xu S, Walker DI, Stratakis N, et al. Perfluoroalkyl substances and severity of nonalcoholic fatty liver in Children: An untargeted metabolomics approach. *Environ Int*. 2020;134:105220.
- [29] Radi AM, Mohammed ET, Abushouk AI, Aleya L, Abdel-Daim MM. The effects of abamectin on oxidative stress and gene expression in rat liver and brain tissues: Modulation by sesame oil and ascorbic acid. *Sci Total Environ*. 2020;701:134882.
- [30] Xu P, Li Y, Yu Z, Yang L, Shang R, Yan Z. Protective effect of Vitamin C on triptolide-induced acute hepatotoxicity in mice through mitigation of oxidative stress. *An Acad Bras Cienc*. 2019;91:e20181257.
- [31] Blake BE, Cope HA, Hall SM, Keys RD, Mahler BW, McCord J, et al. Evaluation of Maternal, Embryo, and Placental Effects in CD-1 Mice following Gestational Exposure to Perfluorooctanoic Acid (PFOA) or Hexafluoropropylene Oxide Dimer Acid (HFPO-DA or GenX). *Environ Health Perspect*. 2020 Feb;128(2):27006. doi: 10.1289/EHP6233. Epub 2020 Feb 13. PMID: 32074459; PMCID: PMC7064328.
- [32] Wu X, Liang M, Yang Z, Su M, Yang B. Effect of acute exposure to PFOA on mouse liver cells in vivo and in vitro. *Environ Sci Pollut Res Int*. 2017 Nov;24(31):24201–6. doi: <https://doi.org/10.1007/s11356-017-0072-5>. Epub 2017 Sep 8 PMID: 28887612.
- [33] Wen Y, Chen J, Li J, Arif W, Kalsotra A, Irudayaraj J. Effect of PFOA on DNA Methylation and Alternative Splicing in Mouse Liver. *Toxicol Lett*. 2020 Sep 1;329:38–46. doi: 10.1016/j.toxlet.2020.04.012. Epub 2020 Apr 19. PMID: 32320774; PMCID: PMC7533079.

- [34] Rosen MB, Thibodeaux JR, Wood CR, Zehr RD, Schmid JE, Lau C. Gene expression profiling in the lung and liver of PFOA-exposed mouse fetuses. *Toxicology* 2007 Sep 24;239(1–2):15–33. doi: <https://doi.org/10.1016/j.tox.2007.06.095>. Epub 2007 Jun 29 PMID: 17681415.
- [35] Eriksen KT, Raaschou-Nielsen O, McLaughlin JK, Lipworth L, Tjønneland A, Overvad K, et al. Association between plasma PFOA and PFOS levels and total cholesterol in a middle-aged Danish population. *PLoS ONE* 2013;8:e56969.
- [36] Rebholz SL, Jones T, Herrick RL, Xie C, Calafat AM, Pinney SM, et al. Hypercholesterolemia with consumption of PFOA-laced Western diets is dependent on strain and sex of mice. *Toxicol Rep*. 2016;3:46–54.
- [37] Lai KP, Li JW, Cheung A, Li R, Billah MB, Chan TF, et al. Transcriptome sequencing reveals prenatal PFOS exposure on liver disorders. *Environ Pollut*. 2017;223:416–25.
- [38] Das KP, Wood CR, Lin MT, et al. Perfluoroalkyl acids-induced liver steatosis: Effects on genes controlling lipid homeostasis. *Toxicology* 2017;378:37–52. doi: <https://doi.org/10.1016/j.tox.2016.12.007>.
- [39] Wielsøe M, Long M, Ghisari M, Bonfeld-Jørgensen EC. Perfluoroalkylated substances (PFAS) affect oxidative stress biomarkers in vitro. *Chemosphere* 2015;129:239–45. doi: <https://doi.org/10.1016/j.chemosphere.2014.10.014>.
- [40] Chen XF, Tian MX, Sun RQ, et al. SIRT5 inhibits peroxisomal ACOX1 to prevent oxidative damage and is downregulated in liver cancer. *EMBO Rep*. 2018;19(5):. doi: <https://doi.org/10.15252/embr.201745124>e45124.
- [41] Johansson A, Curran JE, Johnson MP, et al. Identification of ACOX2 as a shared genetic risk factor for preeclampsia and cardiovascular disease. *Eur J Hum Genet*. 2011;19(7):796–800. doi: <https://doi.org/10.1038/ejhg.2011.19>.
- [42] Monte MJ, Alonso-Peña M, Briz O, et al. ACOX2 deficiency: An inborn error of bile acid synthesis identified in an adolescent with persistent hypertransaminasemia. *J Hepatol*. 2017;66(3):581–8. doi: <https://doi.org/10.1016/j.jhep.2016.11.005>.
- [43] Kirkby B, Roman N, Kobe B, Kellie S, Forwood JK. Functional and structural properties of mammalian acyl-coenzyme A thioesterases. *Prog Lipid Res*. 2010;49(4):366–77. doi: <https://doi.org/10.1016/j.plipres.2010.04.001>.
- [44] Bekevoa C, Anderson-Pullinger L, Boye K, et al. Multiple mitochondrial thioesterases have distinct tissue and substrate specificity and CoA regulation, suggesting unique functional roles. *J Biol Chem*. 2019;294(50):19034–47. doi: <https://doi.org/10.1074/jbc.RA119.010901>.
- [45] Moffat C, Bhatia L, Nguyen T, et al. Acyl-CoA thioesterase-2 facilitates mitochondrial fatty acid oxidation in the liver. *J Lipid Res*. 2014;55(12):2458–70. doi: <https://doi.org/10.1194/jlr.M046961>.
- [46] Carr AC, Maggini S. Vitamin C and Immune Function. *Nutrients*. 2017;9(11):1211. Published 2017 Nov 3. doi:10.3390/nu9111211
- [47] Ghorbani Z, Hajizadeh M, Hekmatdoost A. Dietary supplementation in patients with alcoholic liver disease: a review on current evidence. *Hepatobiliary Pancreat Dis Int*. 2016;15(4):348–60. doi: [https://doi.org/10.1016/s1499-3872\(16\)60096-6](https://doi.org/10.1016/s1499-3872(16)60096-6).
- [48] Alkahtane AA. Protective potency of ascorbic acid supplementation against cytotoxicity and DNA fragmentation induced by triphenyltin on human liver carcinoma cells [published online ahead of print, 2020 May 16]. *Environ Sci Pollut Res Int*. 2020;10.1007/s11356-020-08821-1. doi:10.1007/s11356-020-08821-1
- [49] Davis 3rd AE, Mejia P, Lu F. Biological activities of C1 inhibitor. *Mol Immunol*. 2008;45(16):4057–63. doi: <https://doi.org/10.1016/j.molimm.2008.06.028>.
- [50] Davis 3rd AE, Lu F, Mejia P. C1 inhibitor, a multi-functional serine protease inhibitor. *Thromb Haemost*. 2010;104(5):886–93. doi: <https://doi.org/10.1160/TH10-01-0073>.
- [51] Janssen AV, Betzel B, Stoopen G, et al. The impact of PPAR α activation on whole genome gene expression in human precision cut liver slices. *BMC Genomics*. 2015;16:760. Published 2015 Oct 8. doi:10.1186/s12864-015-1969-3
- [52] Filgo AJ, Quist EM, Hoenerhoff MJ, Brix AE, Kissling GE, Fenton SE. Perfluorooctanoic Acid (PFOA)-induced Liver Lesions in Two Strains of Mice Following Developmental Exposures: PPAR α Is Not Required. *Toxicol Pathol*. 2015;43(4):558–68. doi: <https://doi.org/10.1177/0192623314558463>.
- [53] Kasprzak A, Adamek A. Mucins: the Old, the New and the Promising Factors in Hepatobiliary Carcinogenesis. *Int J Mol Sci*. 2019;20(6):1288. Published 2019 Mar 14. doi:10.3390/ijms20061288
- [54] Betge J, Schneider NI, Harbaum L, et al. MUC1, MUC2, MUC5AC, and MUC6 in colorectal cancer: expression profiles and clinical significance. *Virchows Arch*. 2016;469(3):255–65. doi: <https://doi.org/10.1007/s00428-016-1970-5>.
- [55] Jia Y, Persson C, Hou L, et al. A comprehensive analysis of common genetic variation in MUC1, MUC5AC, MUC6 genes and risk of stomach cancer. *Cancer Causes Control*. 2010;21(2):313–21. doi: <https://doi.org/10.1007/s10552-009-9463-3>.
- [56] Ramirez-Ortiz ZG, Pendergraft 3rd WF, Prasad A, et al. The scavenger receptor SCARF1 mediates the clearance of apoptotic cells and prevents autoimmunity. *Nat Immunol*. 2013;14(9):917–26. doi: <https://doi.org/10.1038/ni.2670>.
- [57] Sakaguchi T, Gu X, Golden HM, Suh E, Rhoads DB, Reinecker HC. Cloning of the human claudin-2 5'-flanking region revealed a TATA-less promoter with conserved binding sites in mouse and human for caudal-related homeodomain proteins and hepatocyte nuclear factor-1 α . *J Biol Chem*. 2002;277(24):21361–70. doi: <https://doi.org/10.1074/jbc.M110261200>.
- [58] Matsumoto K, Imasato M, Yamazaki Y, et al. Claudin 2 deficiency reduces bile flow and increases susceptibility to cholesterol gallstone disease in mice. *Gastroenterology*. 2014;147(5):1134–45.e10. doi:10.1053/j.gastro.2014.07.033
- [59] Molina-Jijón E, Rodríguez-Muñoz R, Namorado Mdel C, Pedraza-Chaverri J, Reyes JL. Oxidative stress induces claudin-2 nitration in experimental type 1 diabetic nephropathy. *Free Radic Biol Med*. 2014;72:162–75. doi: <https://doi.org/10.1016/j.freeradbiomed.2014.03.040>.
- [60] Al-Muhsen S, Casanova JL. The genetic heterogeneity of mendelian susceptibility to mycobacterial diseases. *J Allergy Clin Immunol*. 2008;122(6):1043–53. doi: <https://doi.org/10.1016/j.jaci.2008.10.037>.
- [61] Nalpas B, Lavielle-Meziani R, Plancoulaine S, et al. Interferon gamma receptor 2 gene variants are associated with liver fibrosis in patients with chronic hepatitis C infection. *Gut* 2010;59(8):1120–6. doi: <https://doi.org/10.1136/gut.2009.202267>.
- [62] Chiang JYL, Ferrell JM. Bile Acid Metabolism in Liver Pathobiology. *Gene Expr*. 2018;18:71–87.
- [63] Charni-Natan M, Aloni-Grinstein R, Osher E, Rotter V. Liver and Steroid Hormones-Can a Touch of p53 Make a Difference?. *Front Endocrinol (Lausanne)*. 2019;10:374.
- [64] Woods CP, Hazlehurst JM, Tomlinson JW. Glucocorticoids and non-alcoholic fatty liver disease. *J Steroid Biochem Mol Biol*. 2015;154:94–103.
- [65] Song L, Zhou H, Yu W, Ding X, Yang L, Wu J, et al. Effects of phytoesterol ester on the fatty acid profiles in rats with nonalcoholic fatty liver disease. *J Med Food*. 2020.
- [66] Vyas D, Kade Gowda AK, Erdman RA. Dietary conjugated linoleic acid and hepatic steatosis: species-specific effects on liver and adipose lipid metabolism and gene expression. *J Nutr Metab*. 2012;2012:932928.
- [67] Warner DR, Liu H, Miller ME, Ramsden CE, Gao B, Feldstein AE, et al. Dietary linoleic acid and its oxidized metabolites exacerbate liver injury caused by ethanol via induction of hepatic proinflammatory response in mice. *Am J Pathol*. 2017;187:2232–45.
- [68] Wang CW, Chuang HY, Liao KW, Yu ML, Dai CY, Chang WT, et al. Urinary thiodiglycolic acid is associated with increased risk of non-alcoholic fatty liver disease in children living near a petrochemical complex. *Environ Int*. 2019;131:104978.
- [69] Wang CW, Liao KW, Chan CC, Yu ML, Chuang HY, Chiang HC, et al. Association between urinary thiodiglycolic acid level and hepatic function or fibrosis index in school-aged children living near a petrochemical complex. *Environ Pollut*. 2019;244:648–56.
- [70] Johnston CS, Meyer CG, SriLakshmi JC. Vitamin C elevates red blood cell glutathione in healthy adults. *Am J Clin Nutr*. 1993;58:103–5.
- [71] Soylu AR, Altaner S, Aydođu N, Basaran UN, Tarcin O, Gedik N, et al. Effects of vitamins E and C supplementation on hepatic glutathione peroxidase activity and tissue injury associated with ethanol ingestion in malnourished rats. *Curr Ther Res Clin Exp*. 2006;67:118–37.

Rong Li is a researcher at Guilin Medical University. He plotted the figures based on bioinformatics analysis, using omics methods.

Chao Guo is a pharmacist of Department of Pharmacy, Guigang City People's Hospital. He conducted data analysis and performed literature searches.

Xiao Lin work in Hong Kong Bioinformatics Centre, The Chinese University of Hong Kong who contributed to data collection and figure plotting.

Ting Fung Chan work in Hong Kong Bioinformatics Centre, The Chinese University of Hong Kong who contributed to data collection and figure plotting.

Min Su is a professor of Guilin Medical University who worked on analyzing data and literature searches.

Zhiyong Zhang is a professor of Guilin Medical University who worked on analyzing data and literature searches.

Keng Po Lai is a researcher at Guilin Medical University. His research is focused on revealing mechanism networks underlying complex diseases, through deep sequencing of transcriptomes, small RNA transcriptomes, and methylomes, which is then integrated with data from environmental pollutants.