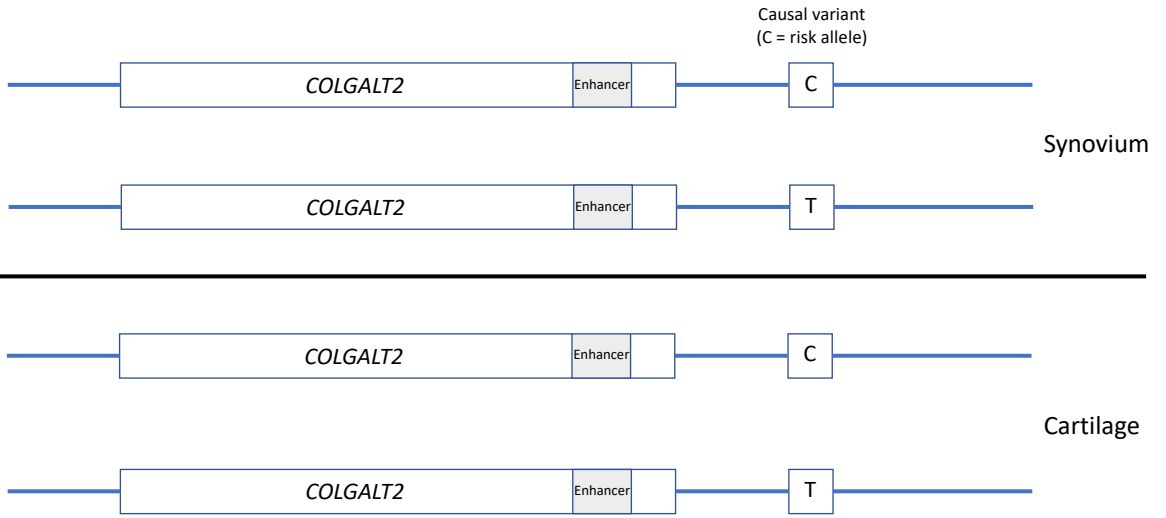
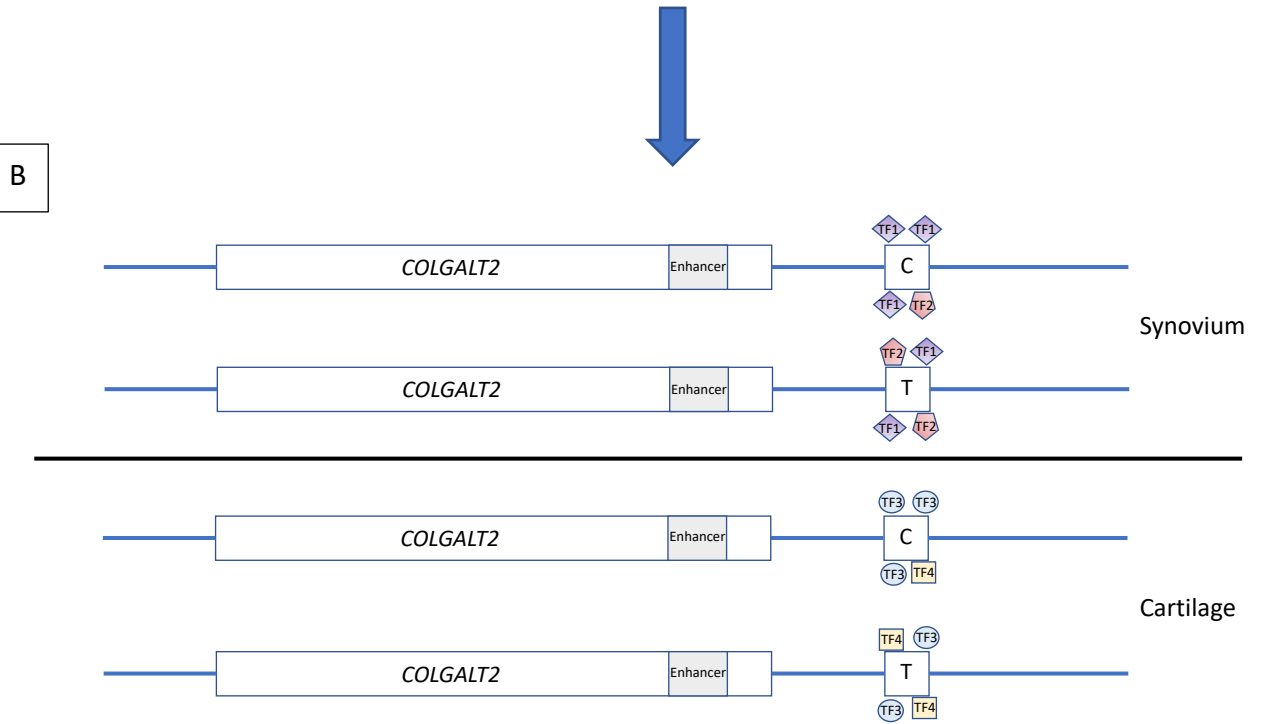


A



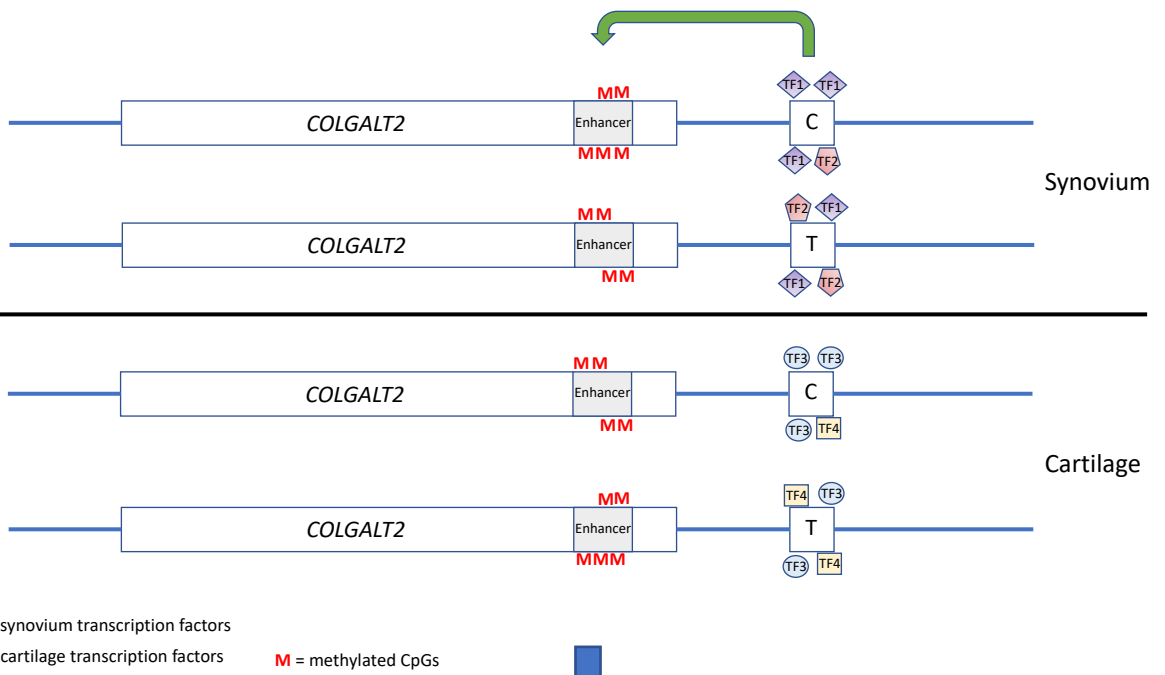
B



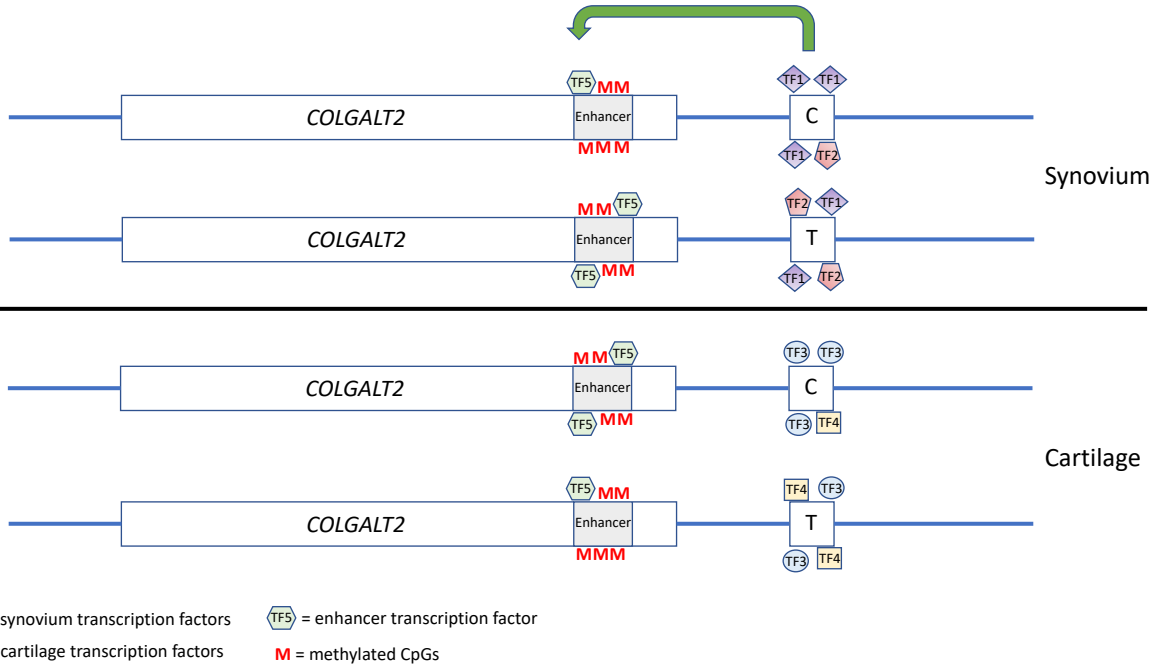
TF1 TF2 = synovium transcription factors
TF3 TF4 = cartilage transcription factors



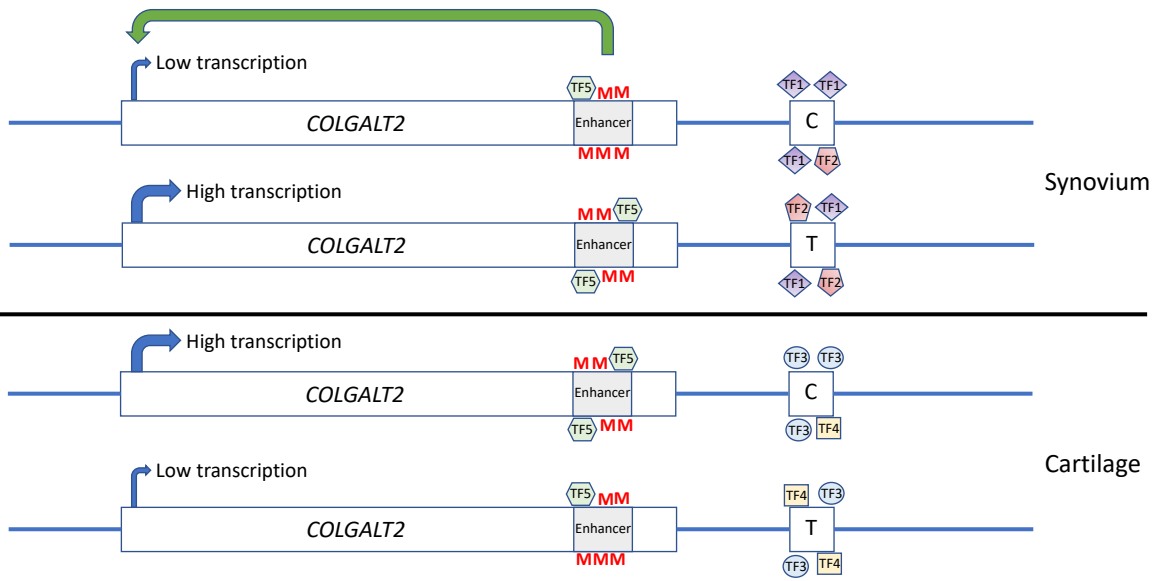
C



D



E



TF1 TF2 = synovium transcription factors TF5 = enhancer transcription factor
TF3 TF4 = cartilage transcription factors M = methylated CpGs