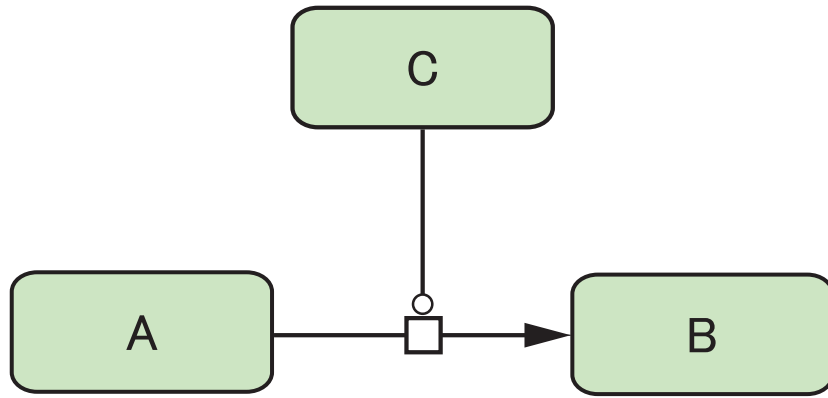


Supplemental Figure 1

A



B

