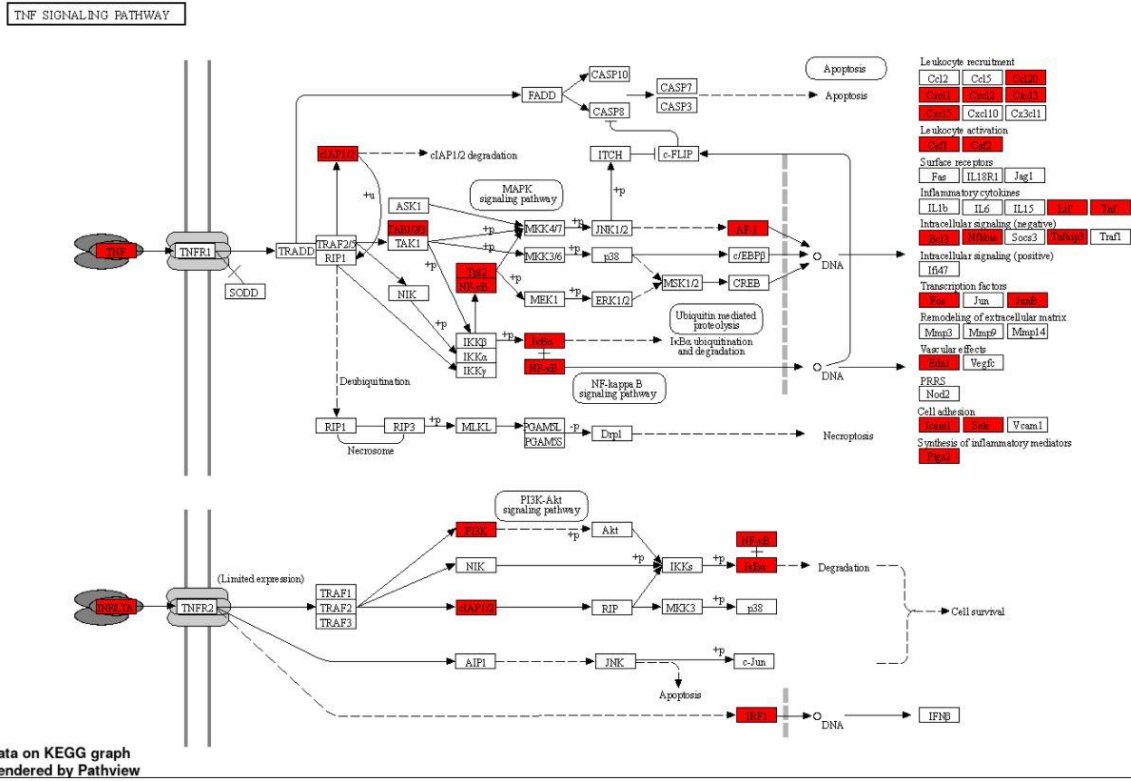
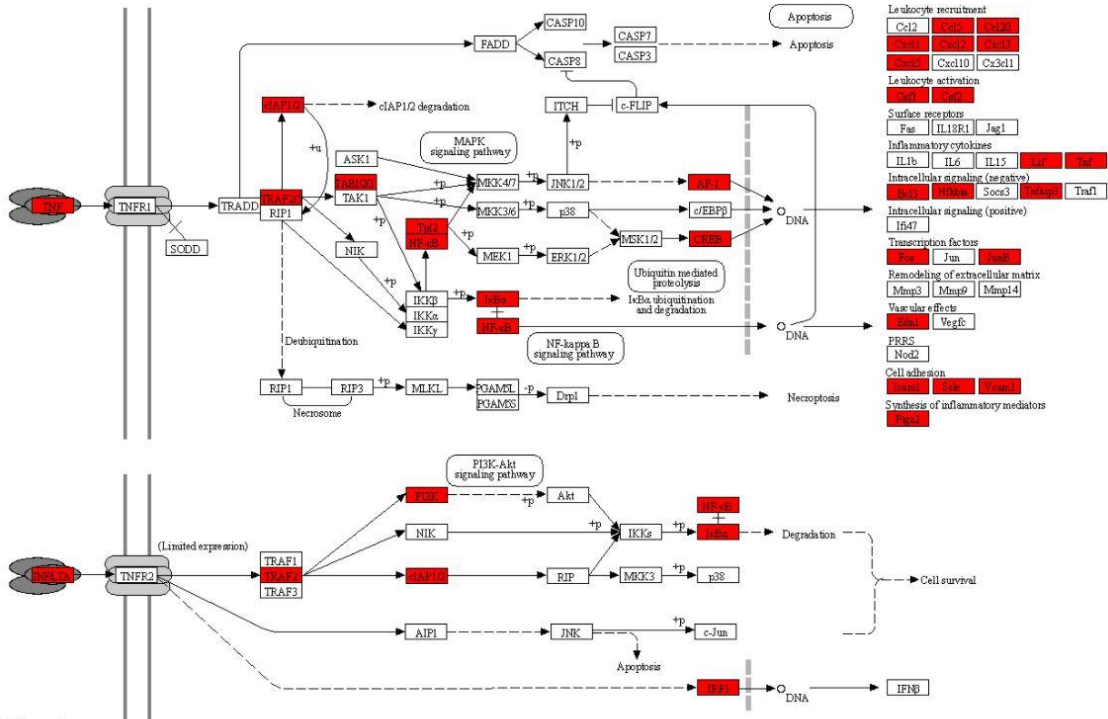


- 1 **Additional file 8:** DEGs (indicated in red) in the TNF signaling KEGG pathway between
- 2 unchallenged and challenged colon high (top), colon low (middle) and ileum low (lowest)
- 3 organoids. Permission for the use of these figures was obtained from KEGG.



4

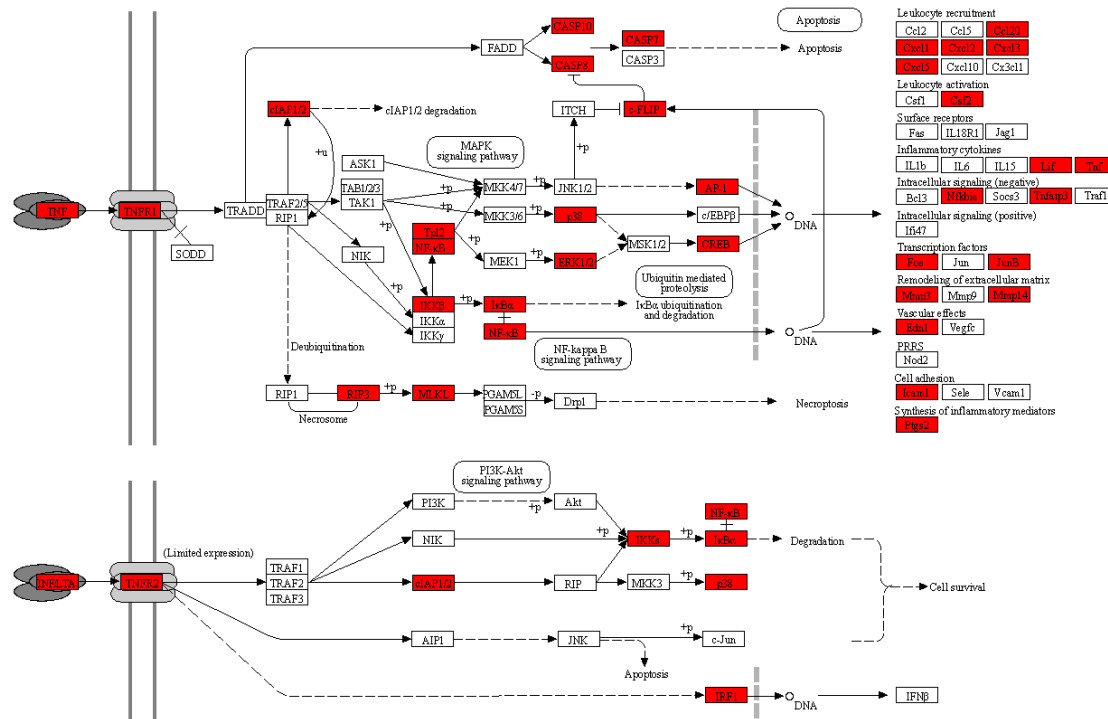
TNF SIGNALING PATHWAY



Data on KEGG graph
Rendered by Pathview

5

TNF SIGNALING PATHWAY



Data on KEGG graph
Rendered by Pathview

6

7