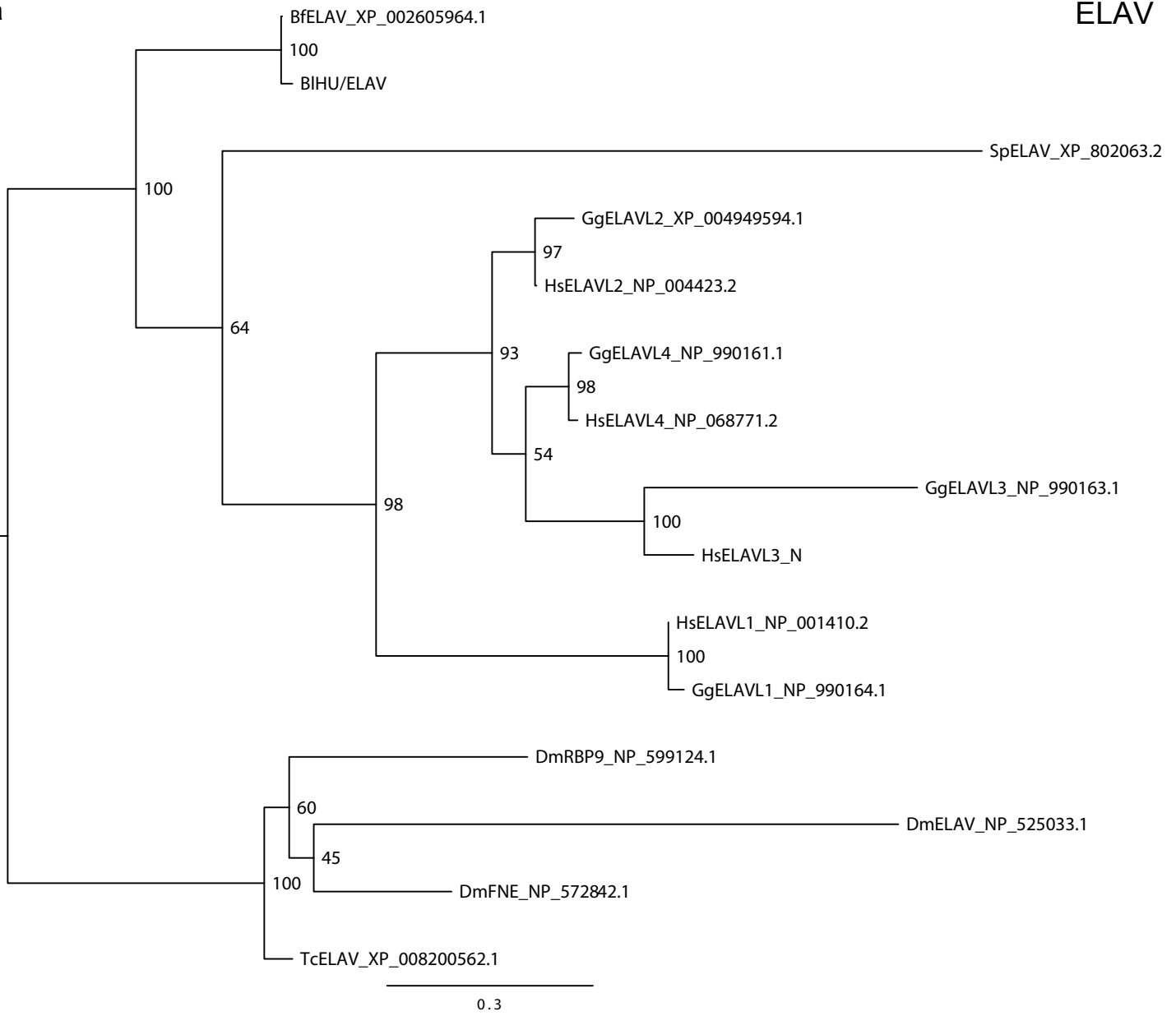


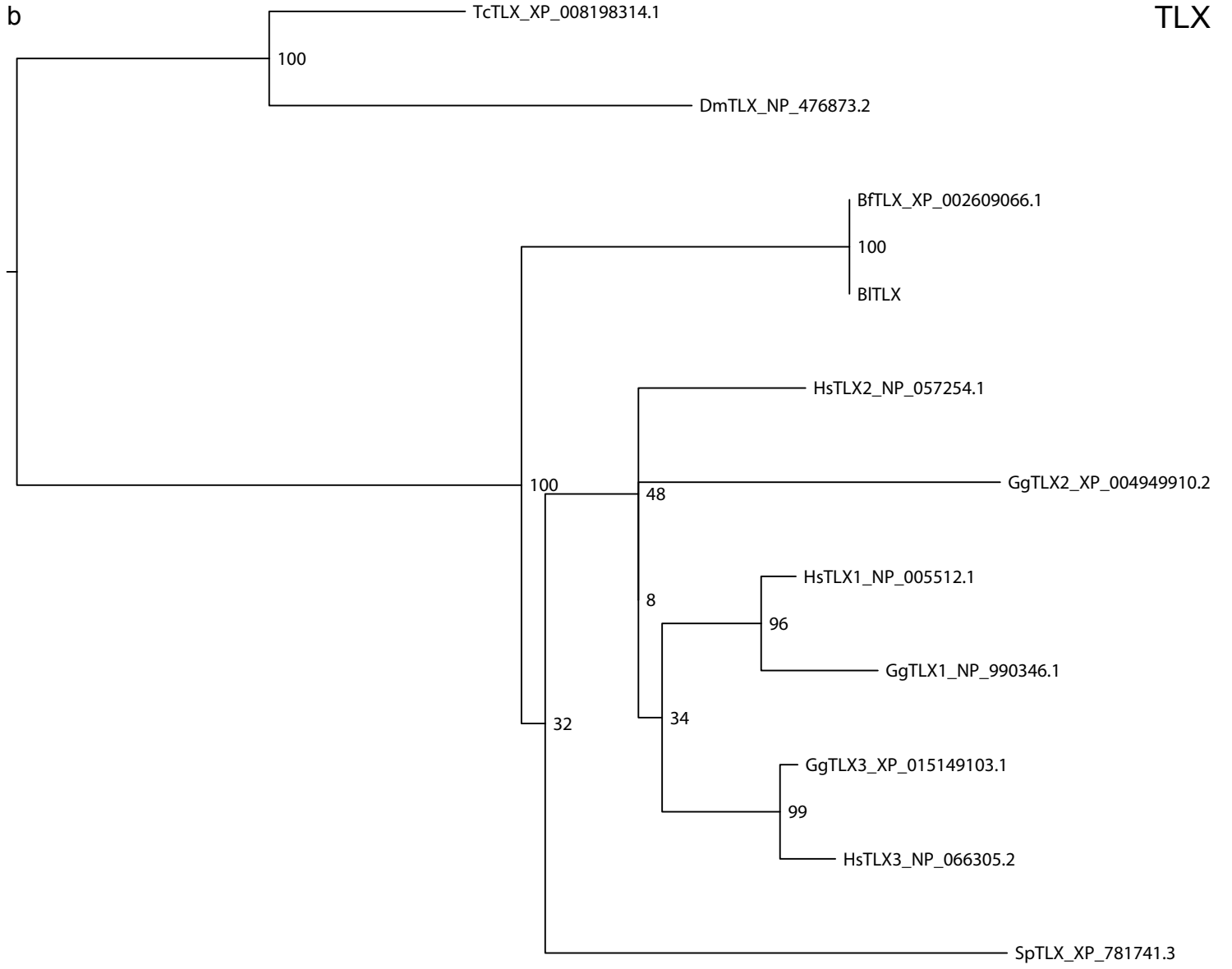
a

ELAV



b

TLX



0.4

C

# SOXB1

