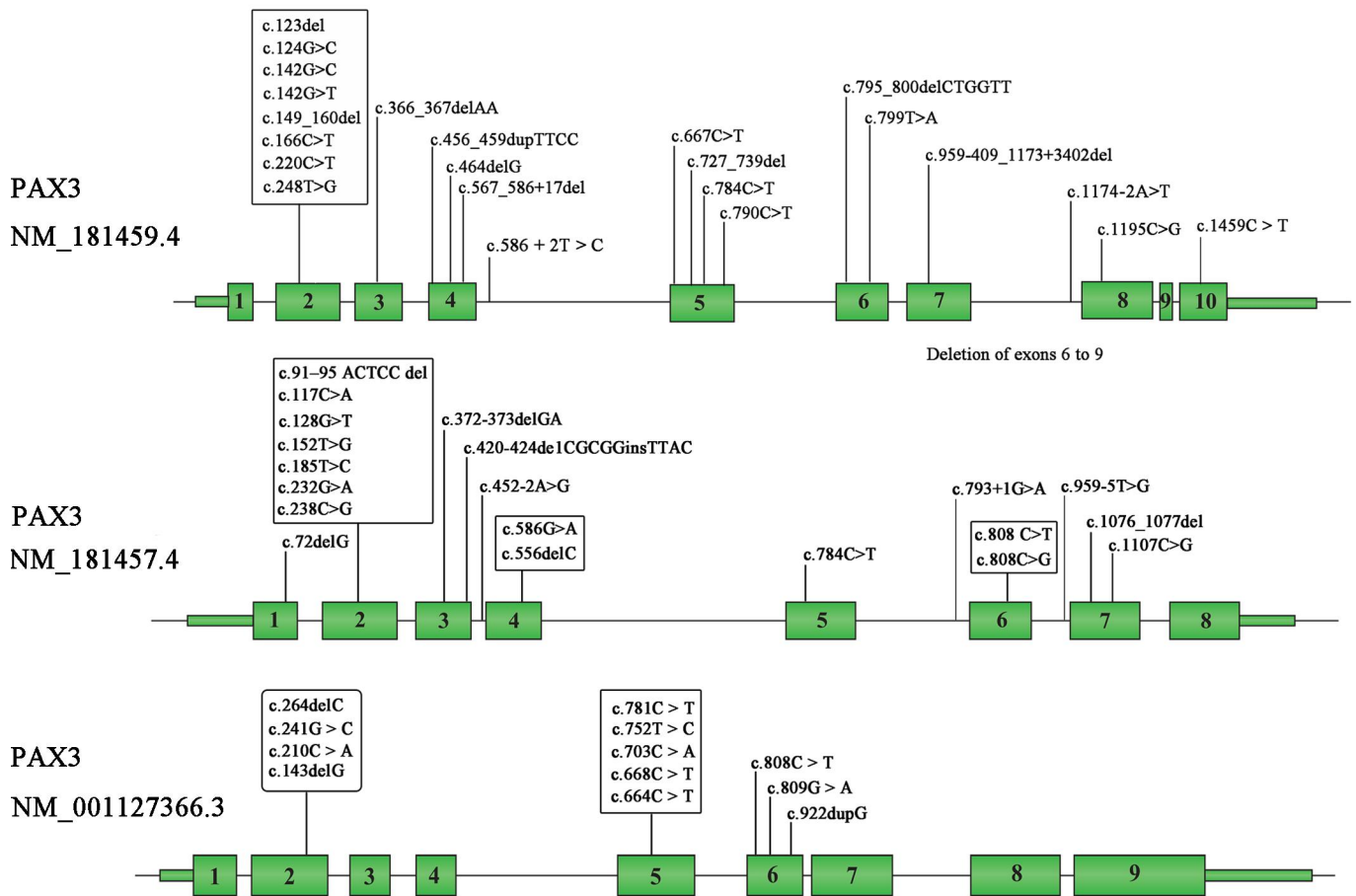
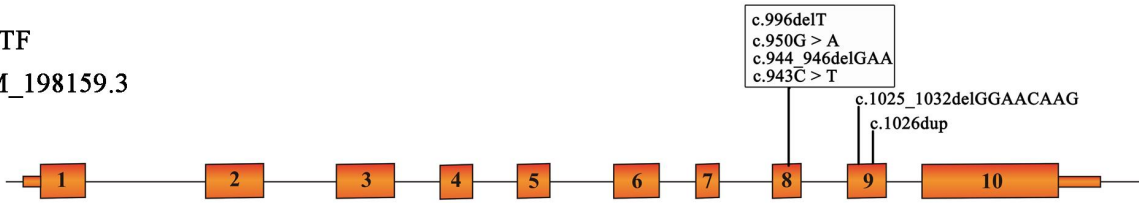


**Additional file 5** Distribution of pathogenic gene variants in gene structure.



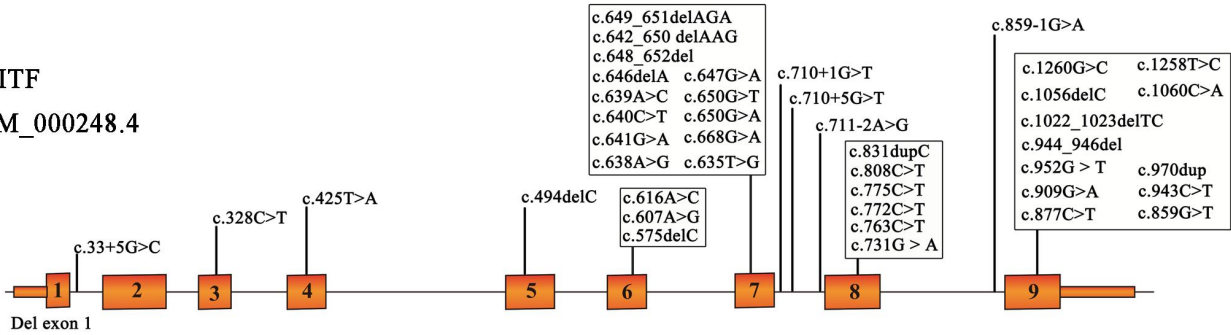
MITF

NM\_198159.3



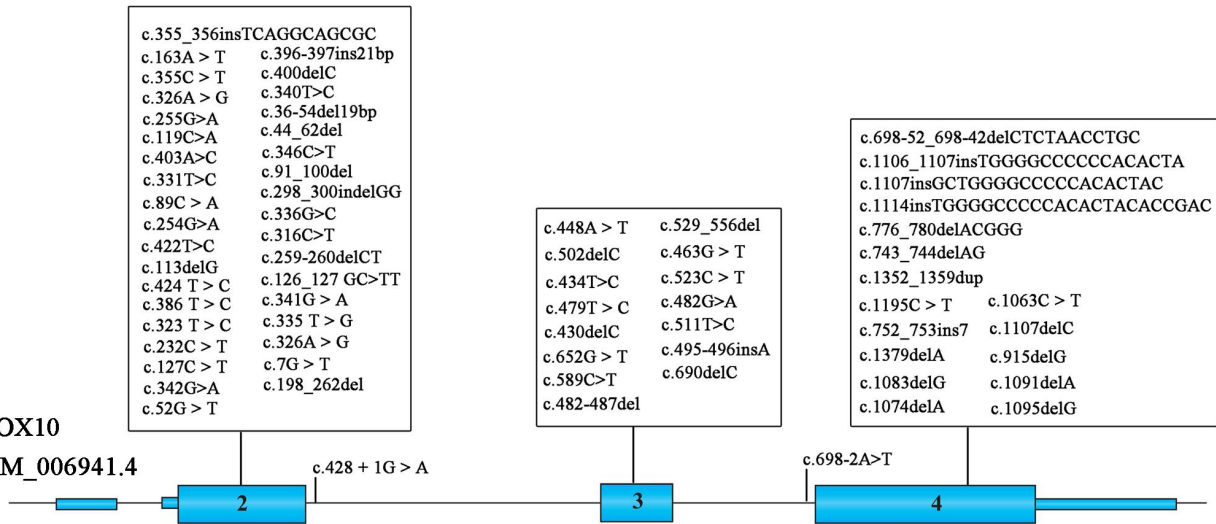
MITF

NM\_000248.4



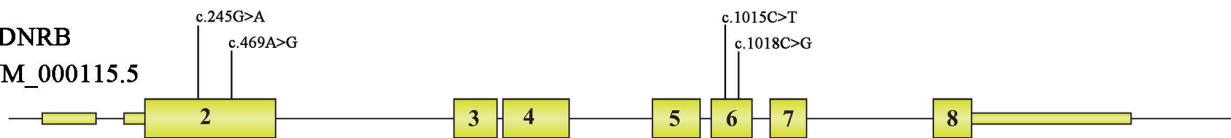
SOX10

NM\_006941.4



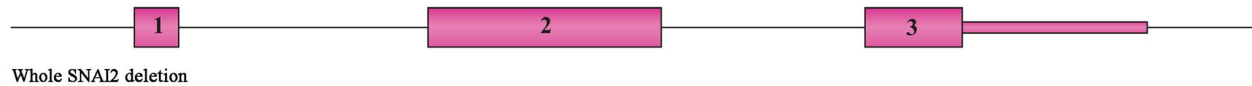
EDNRB

NM\_000115.5



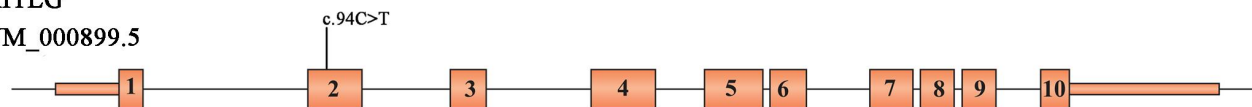
SNAI2

NM\_003068.5



KITLG

NM\_000899.5



EDN3

NM\_001302455.2

