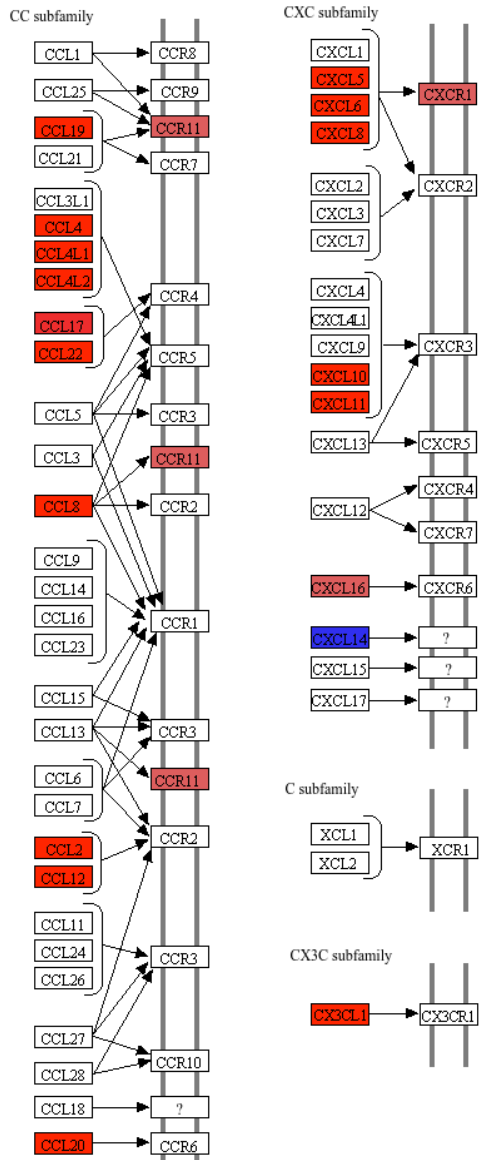
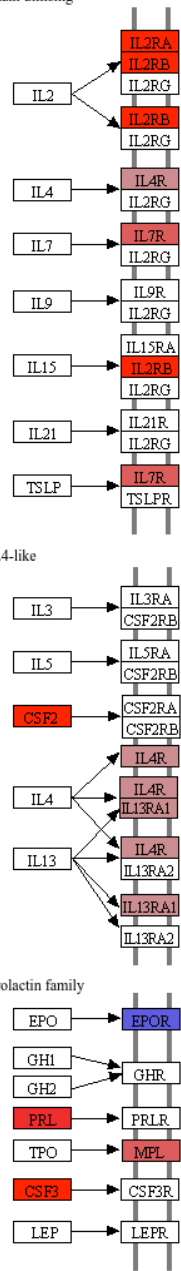


CYTOKINE-CYTOKINE RECEPTOR INTERACTION

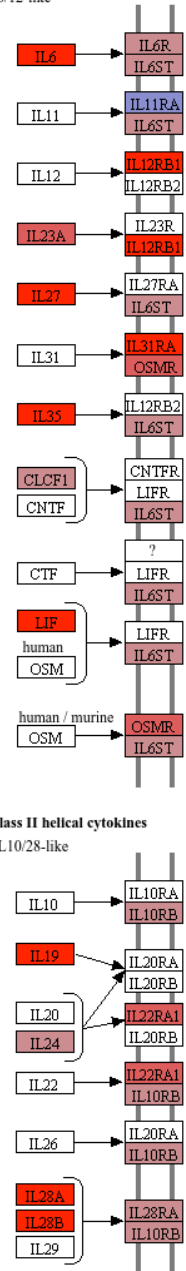
Chemokines



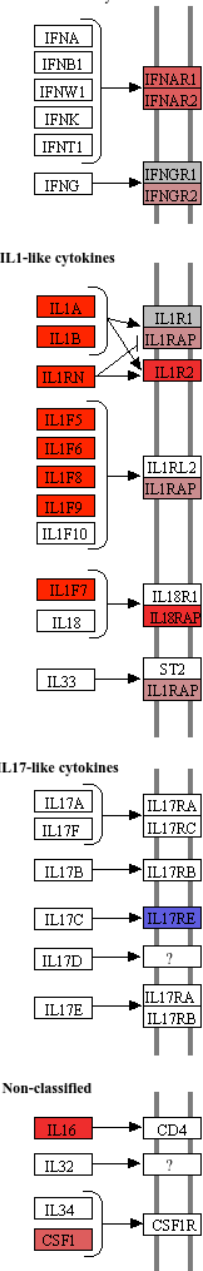
The class I helical cytokines  
γ-chain utilising



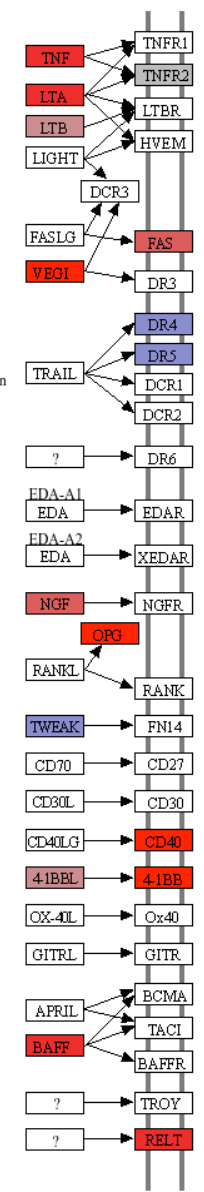
IL6/12-like



Interferon family



TNF Family



TGF-β family

