

Supplemental Materials

- **Supplemental Table S1.** Primers used for mouse genotyping: page 2
- **Supplemental Table S2.** Primers used for mouse genotyping: page 2
- **Supplemental Figure 1.** DAF transgenic expression.

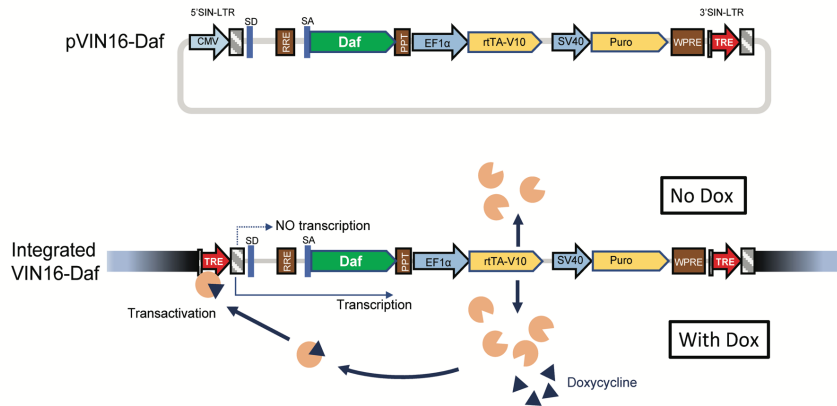
- **Supplementary Table S1. Primers used for mouse genotyping.**

Genotyping Primers		
Gene	Forward Primer	Reverse Primer
<i>C3-1 WT</i>	AGGGCGAGAACTGCATAAAGG	GTTGTTCACGCAGCTTGGT
<i>C3 KO</i>	CCAGGGCGAGAACTGCAT	CAGACTGCCTTGGGAAAAGC
<i>Pax8</i>	CCATGTCTAGACTGGACAAGA	CTCCAGGCCACATATGATTAG
<i>Pkd1</i>	CCTGCCTTGCTCTACTTTCC	AGGGCTTTTCTTGCTGGTCT
<i>Cre</i>	ATTGCTGTCACTTGGTCGTGGC	GGAAAATGCTTCTGTCCGTTTGC

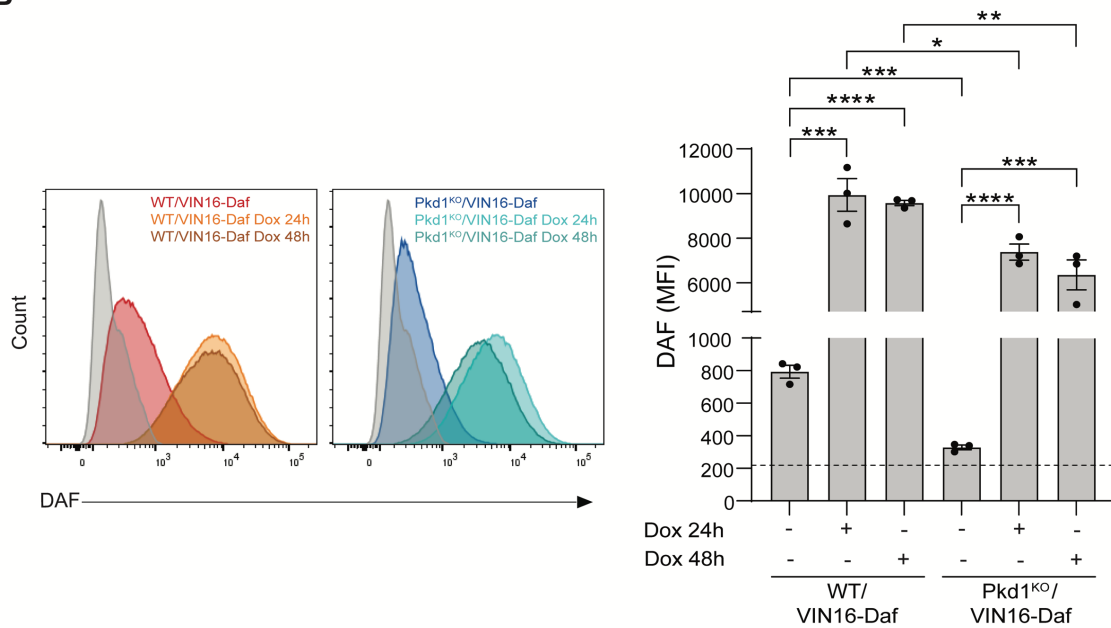
Supplementary Table S2. Primers for Quantitative RT-PCR.

Gene Expression Primers		
Gene	Assay ID	Brand
<i>C3</i>	Mm01232779_m1	Thermo Fisher Scientific
<i>C5</i>	Mm00439275_m1	Thermo Fisher Scientific
<i>CfB</i>	Mm00433909_m1	Thermo Fisher Scientific
<i>CfH</i>	Mm01299248_m1	Thermo Fisher Scientific
<i>C3aR</i>	Mm02620006_s1	Thermo Fisher Scientific
<i>C5aR1</i>	Mm00500292_s1	Thermo Fisher Scientific
<i>Daf</i>	Mm00438377_m1	Thermo Fisher Scientific
<i>Cd59</i>	Mm00483149_m1	Thermo Fisher Scientific
<i>Crry</i>	Mm00785297_s1	Thermo Fisher Scientific
<i>Cd11c</i>	Mm00498698_m1	Thermo Fisher Scientific
<i>Cd11b</i>	Mm00434455_m1	Thermo Fisher Scientific
<i>Cd8</i>	Mm01182107_g1	Thermo Fisher Scientific
<i>Cd4</i>	Mm00442754_m1	Thermo Fisher Scientific
<i>Foxp3</i>	Mm00475162_m1	Thermo Fisher Scientific
<i>Gapdh</i>	Mm99999915_g1	Thermo Fisher Scientific
Gene	Forward Primer	Reverse Primer
<i>Ccl2</i>	GACCCGTAATCTGAAGCTAA	CACACTGGTCACTCCTACAGAA
<i>Il-1b</i>	GCAACTGTTCCCTGAACTCAACT	ATCTTTTGGGGTCCGTCAACT
<i>Il-6</i>	GCACCTCAGATTGTTGTTG	AAATAGTGTCCTAACGCTCATAC
<i>Tnfa</i>	TCACTGGAGCCTCGAATGTC	GTGAGGAAGGCTGTGCATTG
<i>Rps11</i>	CGTGACGAAGATGAAGATGC	GCACATTGAATCGCACAGTC

A



B



Supplemental Figure 1. DAF transgenic expression. (A) Representative scheme of puromycin selectable VIN16-Daf lentivector construct. **(B)** Representative plots and **(C)** data quantification of DAF in WT/VIN16-Daf and PKD^{KO}/VIN16-Daf tubular cells with or without Doxycycline (Dox). Dotted line: isotype. ANOVA *P < 0.05; ****P < 0.0001.