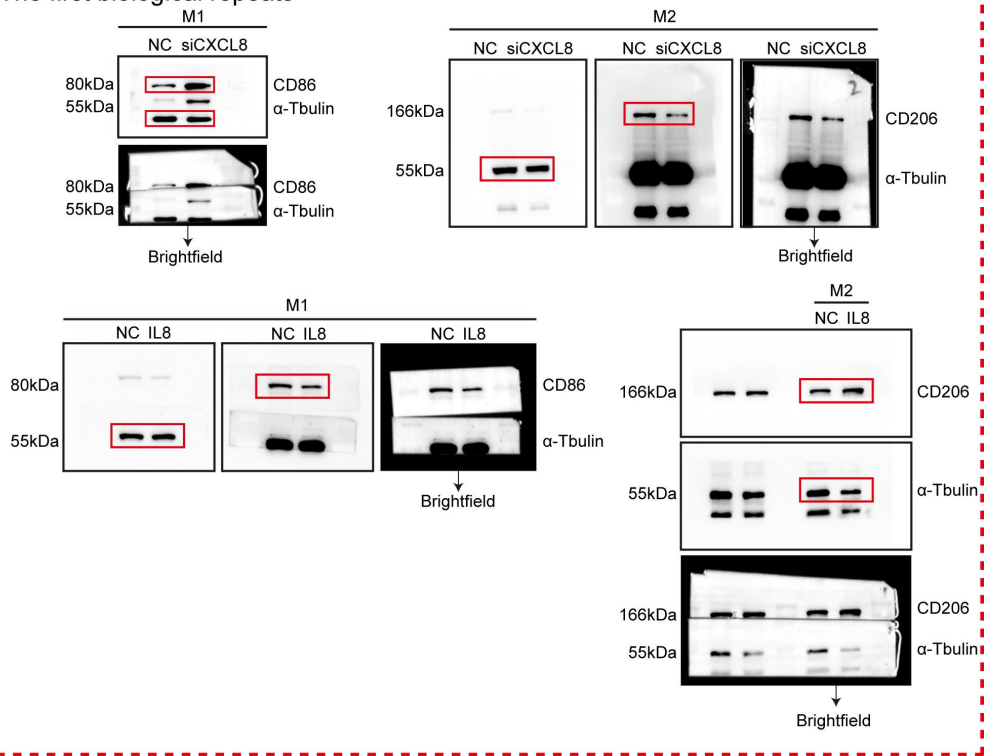
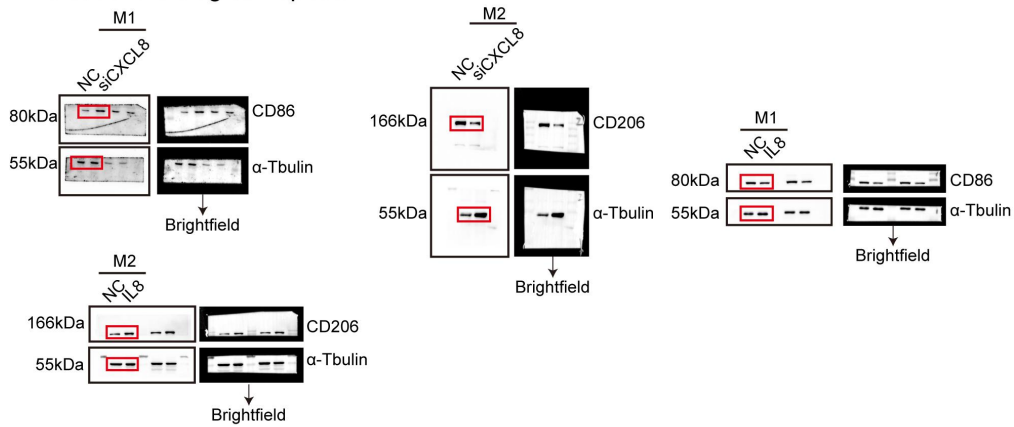


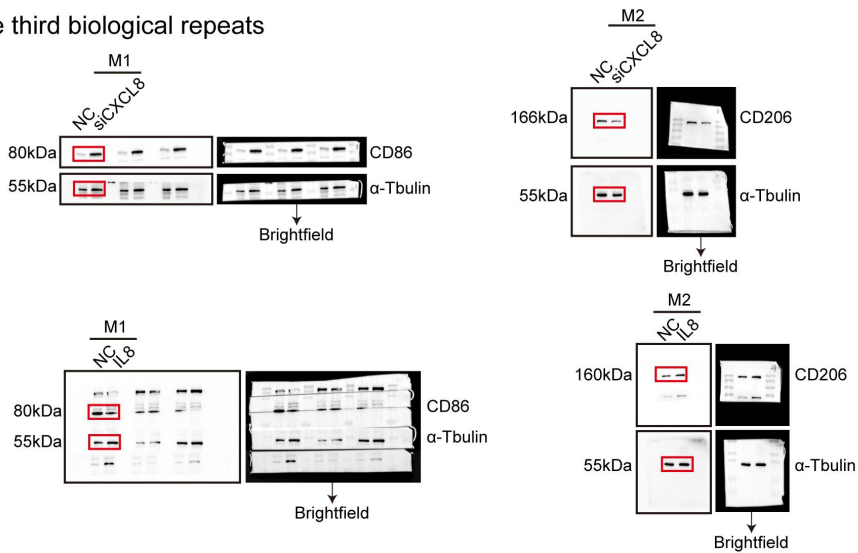
### The first biological repeats



### The second biological repeats



### The third biological repeats



The image within the red dashed boxes represent the original images from Figure 9 in the manuscript, while the images outside the red dashed boxes correspond to the repeated experiments. The red solid boxes indicate the target bands and the internal control.