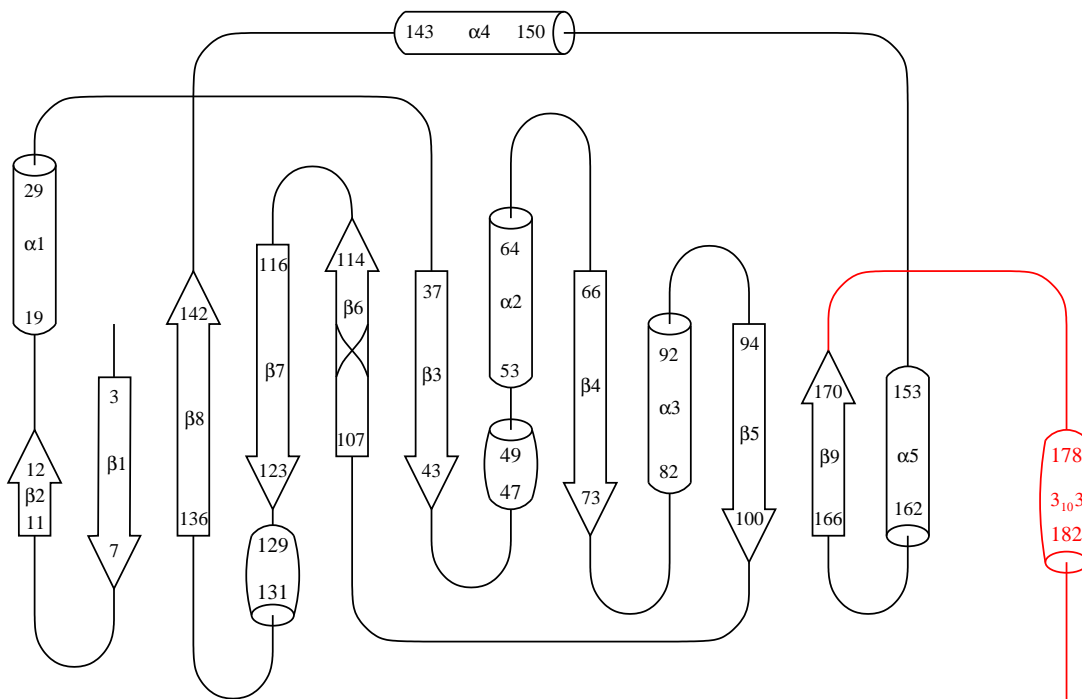
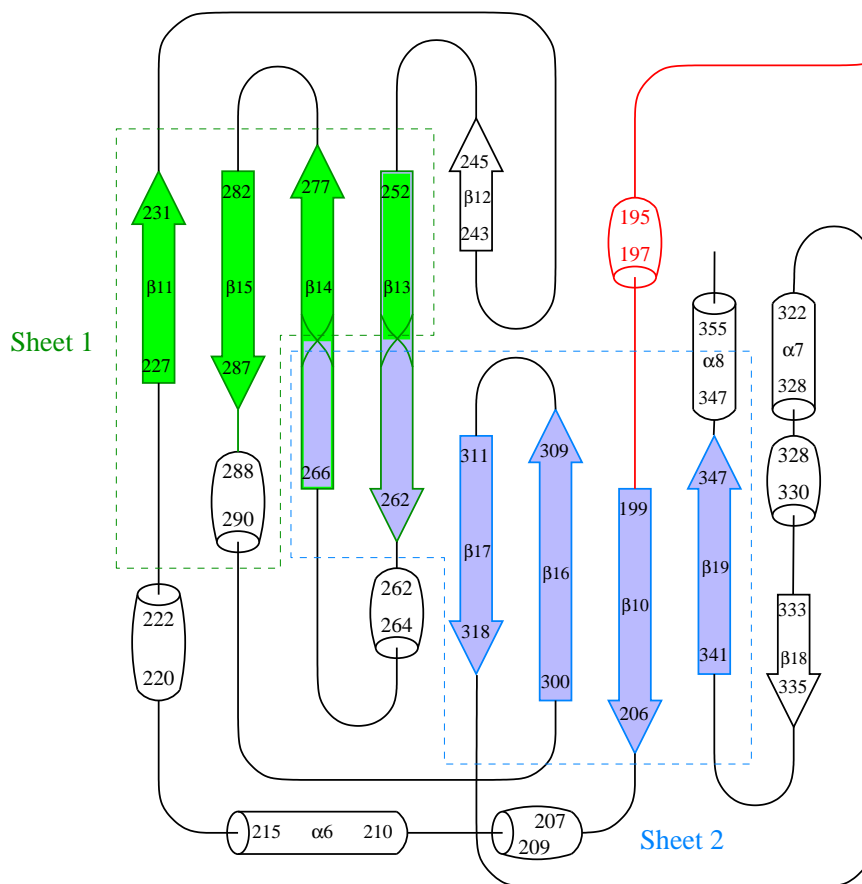


N-terminal domain



Linker

C-terminal domain



Sheet 1

Sheet 2