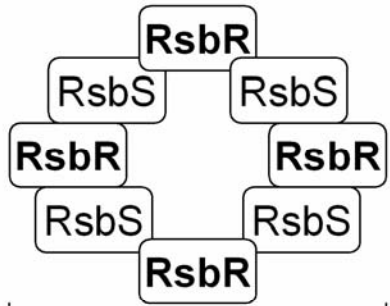
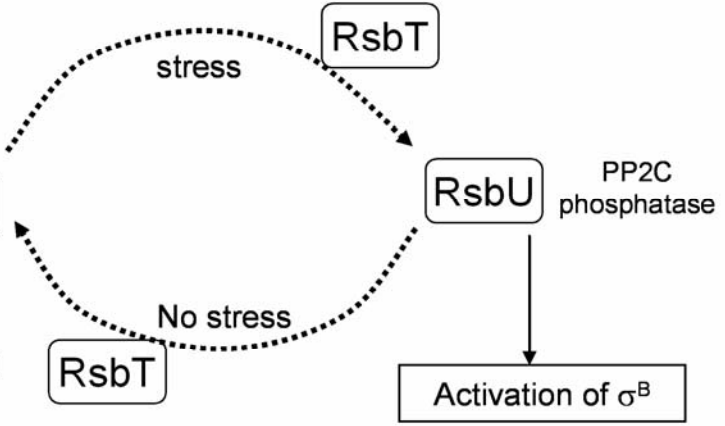


Stress signal?



stressosome



RsbT

stress

RsbU

PP2C phosphatase

No stress

RsbT

Activation of  $\sigma^B$