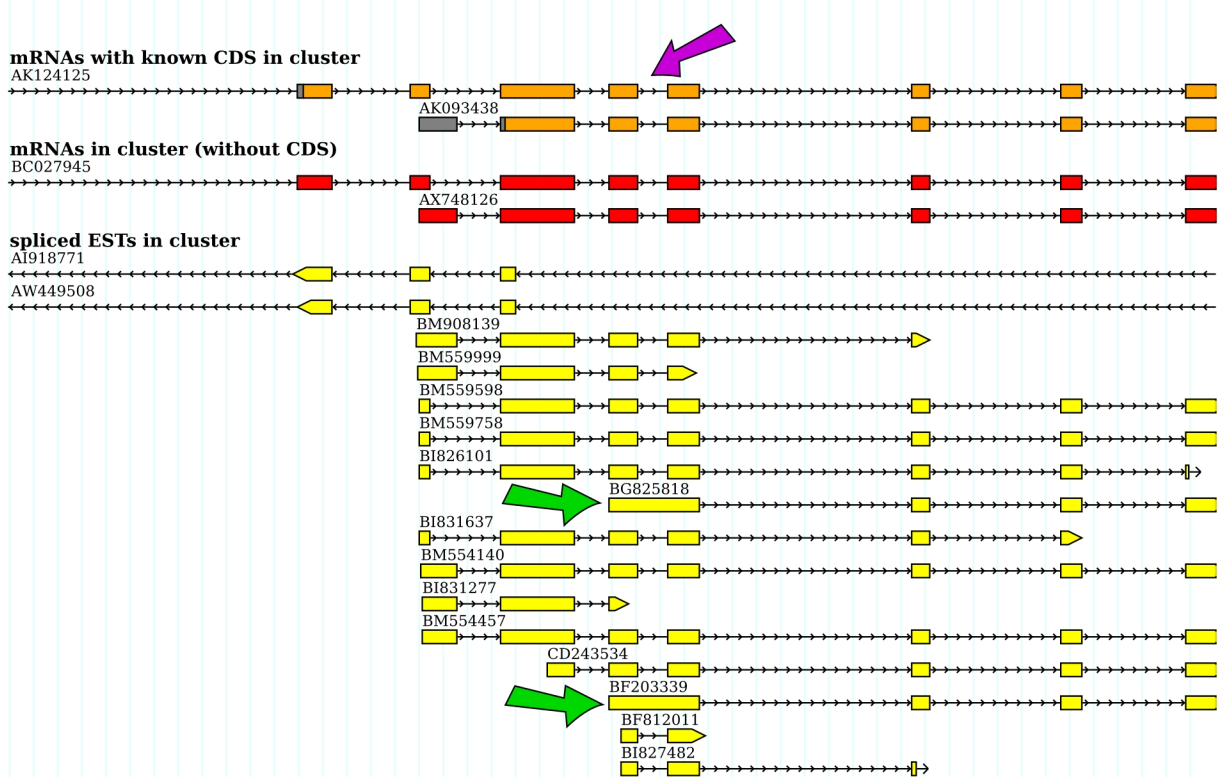


# Additional File 7

## Examples of intron retention events

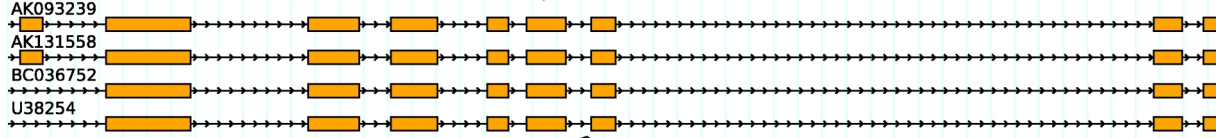
Low-RIF

(A)

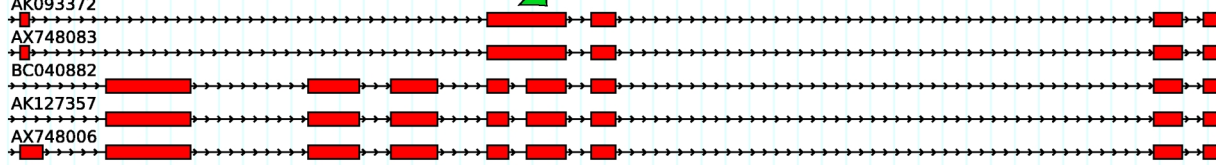


(B)

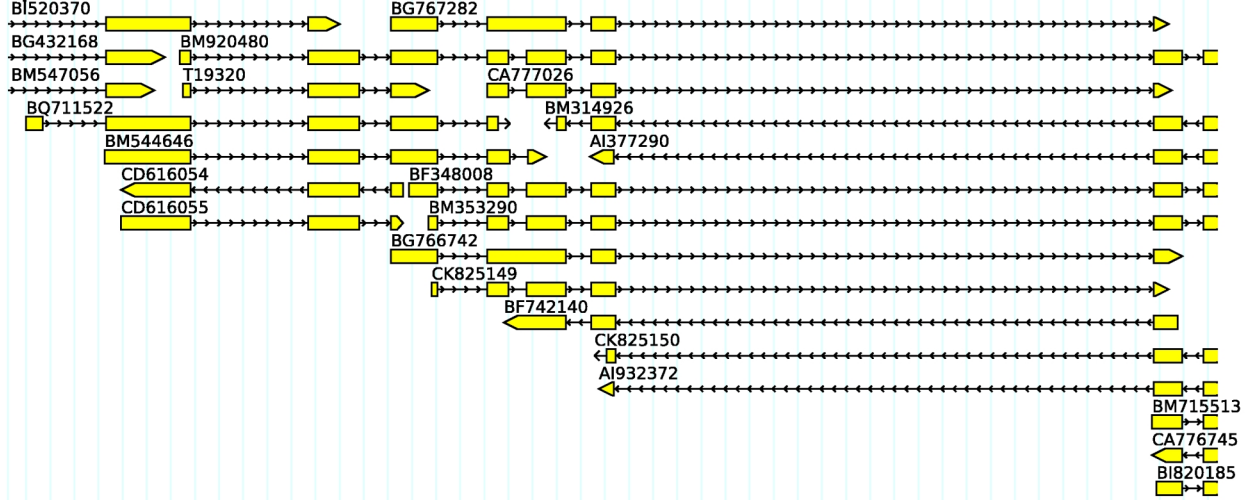
**mRNAs with known CDS in cluster**



**mRNAs in cluster (without CDS)**

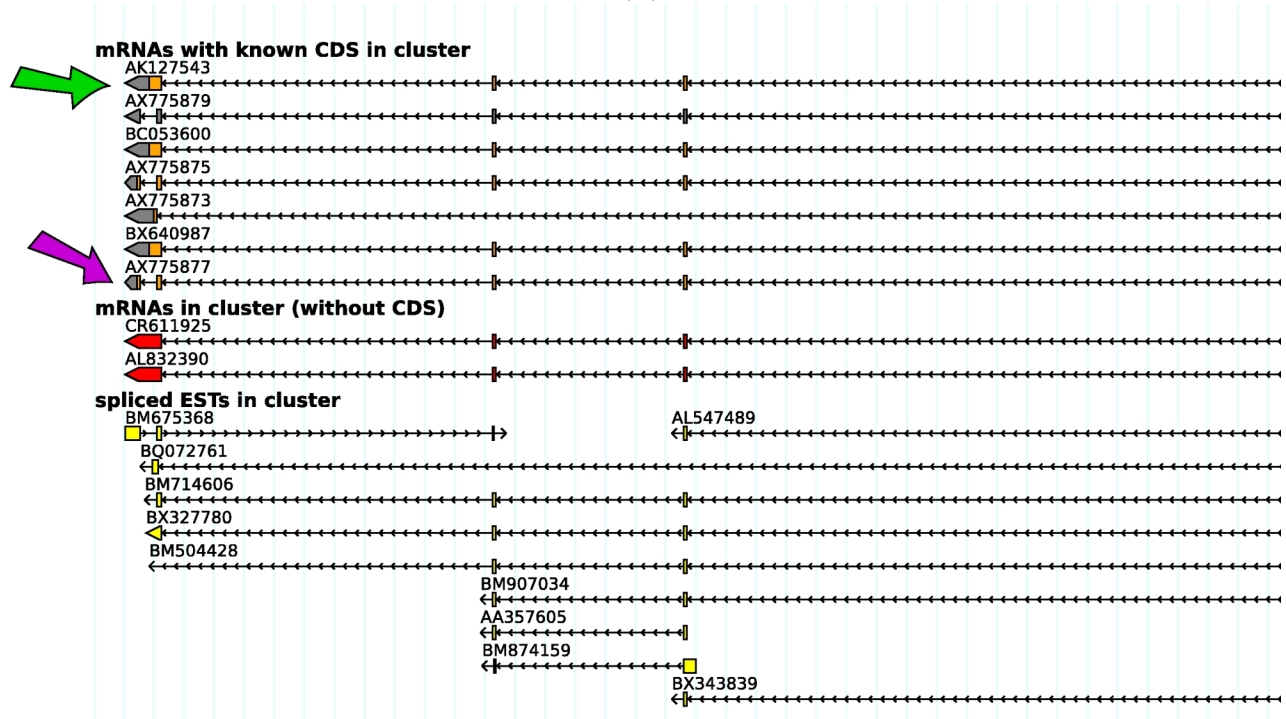


**spliced ESTs in cluster**



# High-RIF

(C)



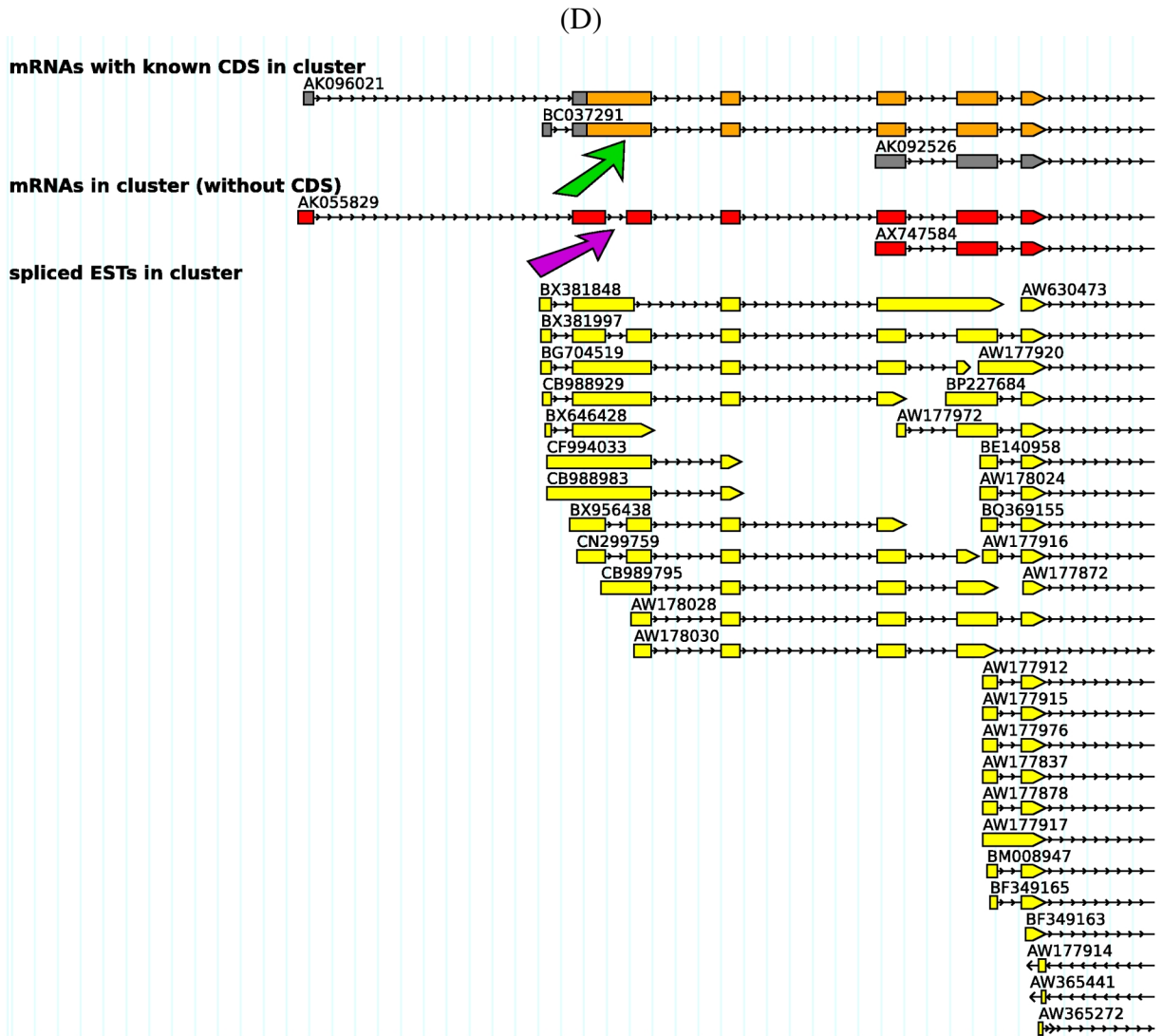


Figure S1. Examples of real IR events in different cDNA clusters. (A, B) Low-RIF events. (A) intron retention in the extremity of a cDNA (B) intron retention flanked by introns on both sides. (C, D) High-RIF events. Arrows point to intron retaining and intron defining cDNAs.