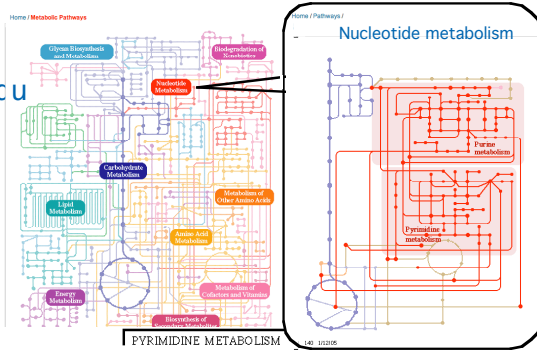


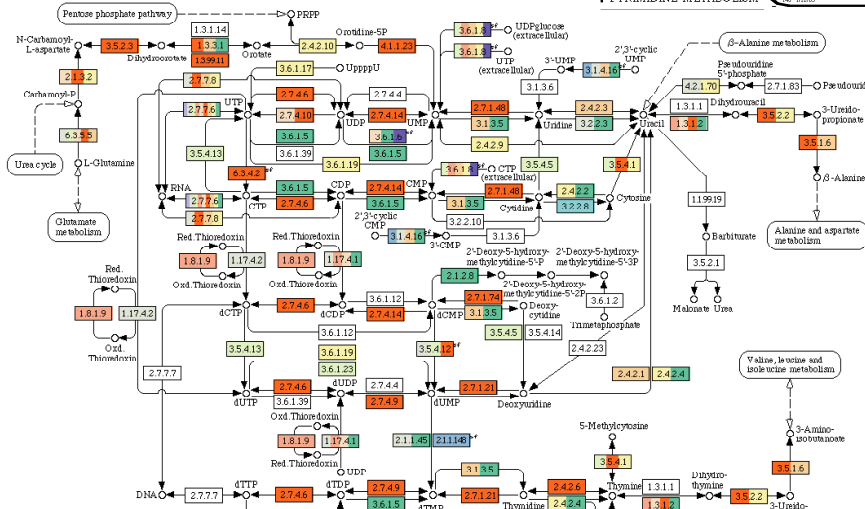


http://manet.uiuc.edu

HOME | ABOUT MANET | METABOLIC MANET | REFERENCES | DATA DOWNLOAD | SEARCH | OTHER RESEARCH | CONTACT US
Molecular Ancestry Network



Pyrimidine metabolism



Nucleotide Metabolism
 Purine metabolism
 Pyrimidine metabolism

Color	Older
Orange	0-0.05
Light Orange	0.05-0.10
Yellow	0.10-0.15
Light Green	0.15-0.20
Green	0.20-0.30
Dark Green	0.30-0.40
Blue-Green	0.40-0.50
Blue	0.50-0.60
Dark Blue	0.60-0.70
Black	0.70-0.80

Purine metabolism

