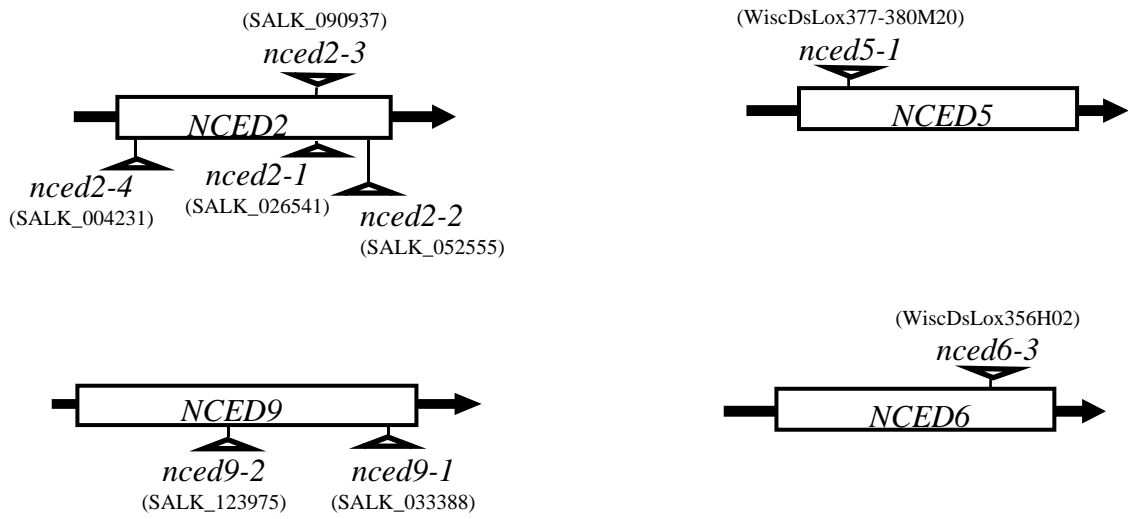
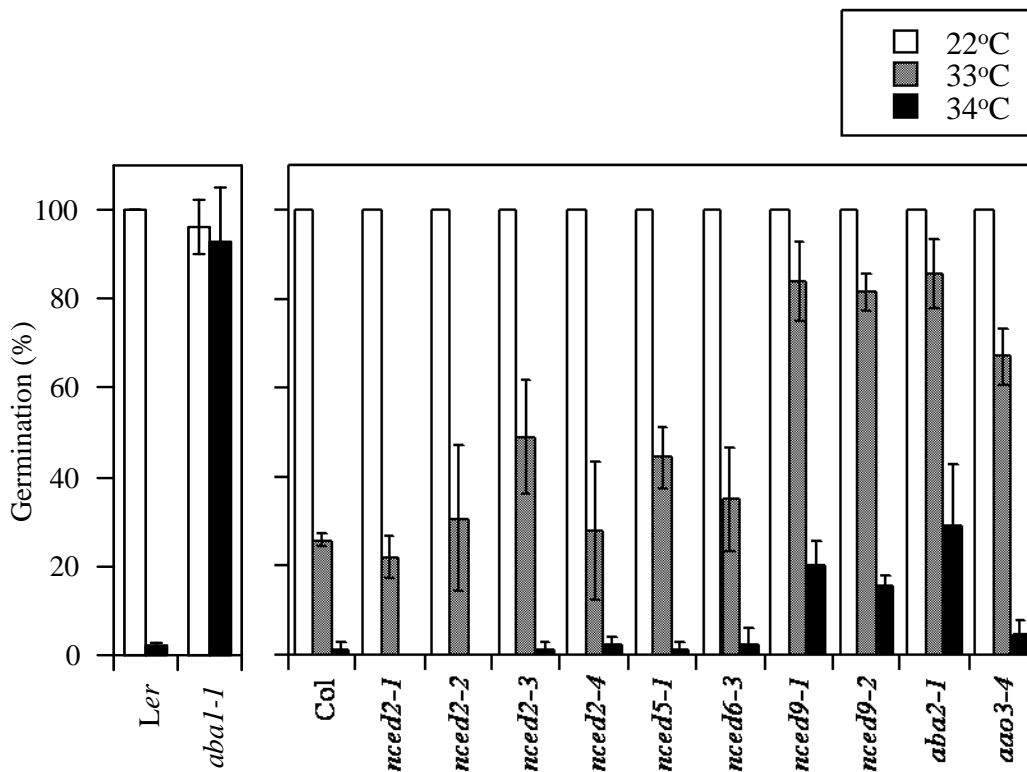


A



B



Supplemental Figure S2. Toh et al.