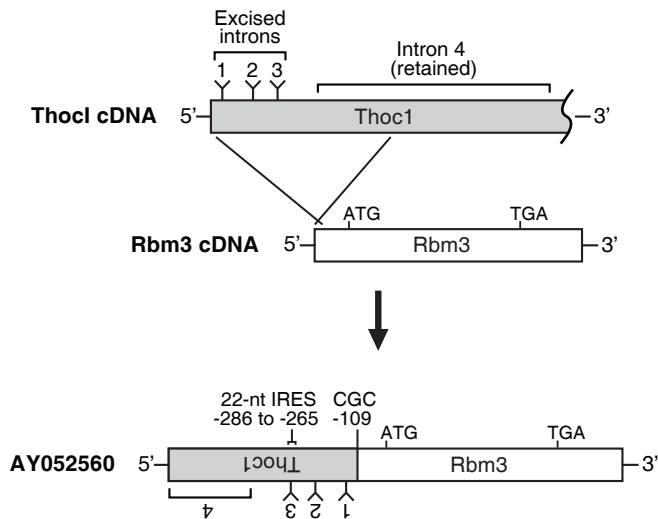


**A**

CACGAGGCATTACCCAGTAGACTCTTACACTGAACCTCCCAATCCTAACTTAGTACATGCATACAATAAATGCTCACTAAGTACTGATATATGATTA  
 AAACACTTGAAAACAAACAAACTGTAATGTACATGACATAATCGTGATGAGCAGTAAGTAGGAACATCTTCTTGCCAAAGGAGGAGTCAAACAATG  
 AGCAGGGGCTGTGAGTGTGGGTCACTGGTAGCACAGCATGCATGAGGCCCTATATTTGGTCTTAGCAACACACATAAAAAGATGAACAAAACCCAGAC  
 AGAGGAAGAGGTATGTGAGAGTCTTAAATAAAAAGGTGAGATCTAAAACAACTTTAGGAGAAAACAGAAAATACTTACTTTCGGTCACTCCCCC  
 AATAGCAAGAGAAAATAATAGCTAAAACGTTCTCACATGCGGAATGATTTATAATTTCTTCCAGAACACCTCTGAAAGCTTGGTCAAGGGTACAT  
 TTTTTTTCATTTTCACTGCCAGGTAAGTACTGAAGGCAGTCAAACAGGCTTGATATTTTGTATTCAAGGCTTCTCTGGTAGATTTTCGTAATC  
 GCGTCCGCGCCTCCGGCAAACGAAAAAGCGCTTTATCAGGCGTCTTCCCGCGCCGAGTCTCTCTGTCTTCCCGTTCCTTCGAGCTCGTCTCTCT  
 GCCGTCTCTGACTTTTAAATTCAGGACTTGCTTCTGCCATGTCGCTCTGAAGAAGGGAACCTTCTCGTAGGGGCTCAACTTCAACACCGATGA  
 ACAGGCACTTGAAGACCCTTTCAGCAGCTTTGGGCCATCTCTGAGGTGGTTGTTGTCGAAGGACCGGGAGACTCAAAGATCCCGGGGTTTTGGCTTC  
 ATCACCTTCAAAAACCCAGAGCATGCCTCAGATGCGATGAGAGCTATGAATGGAGAGTCCCTGGATGGGCGCAAATCCGAGTTGATCATGCAAGAA  
 AGTCTGCCAGGGGATCCAGAGGGGGTGCCTTTGGTGGGCGTGGTGCAGTTACTCTAGAGGTGGTGGAGACCAGGGATATGGAAGTGAAGATATGA  
 CAGTCGTCCTGGAGGATATGGATATGGGTATGGGCGGTCTAGAGACTACAGTGGCAGCCAGGGTGGCTATGACCGCTACTCAGGAGGAAATTACAGA  
 GACAATTATGACAACATGATGGGGCATGCACAAAAATATACACAAGGAATAACACTTCTGATCCAGGATCGTCTTGCAAATTGCTGTATTTATA  
 AAGATTTTTGGAGCTGCGCTCAAACGCTCTGTTTTAGTACATCAAGTCTATTTTTGAATTGAGCTCCCAAGGTAGTTTGTAAAGAACTTTTAGAAA  
 GCTCCATGTGTTCTTTAAACATTTTTTCCCTTTTAAAAACAAATTTTAAAGACATTTGTTACAGCCCCTCGTTG

**B****C**

5' end of Thoc1 RefSeq (NM\_153552.3)

**Thoc1 cDNA (r.c.)** 5'-GATTTTCGTAATAATCGCGTCCGCGCCTCCGGCAAACGAAAAAGCGCCGCGCTCGGAGACATCTGGTTGCGCGTGCCACCACCTGCACATGCGG-3'

**AY052560** 5'-GATTTTCGTAATAATCGCGTCCGCGCCTCCGGCAAACGAAAAAGCGCTTTATCAGGCGTCTTCCCGCGCCGAGTCTCTCTGTCTTCCCGGTTTC-3'

**Rbm3 cDNA** 5'-AGGGCGCGTGGGGACGTTGTGTGACGTTCTCGGCTACGACAGCTTTATCAGGCGTCTTCCCGCGCCGAGTCTCTCTGTCTTCCCGGTTTC-3'

-109 5' end of Rbm3 RefSeq (NM\_016809.4)