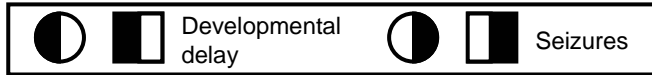
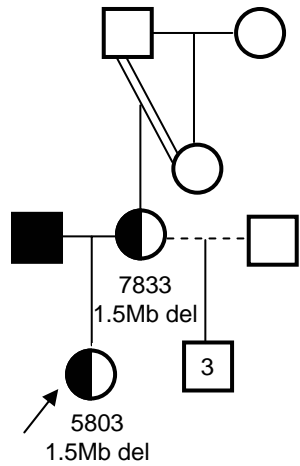
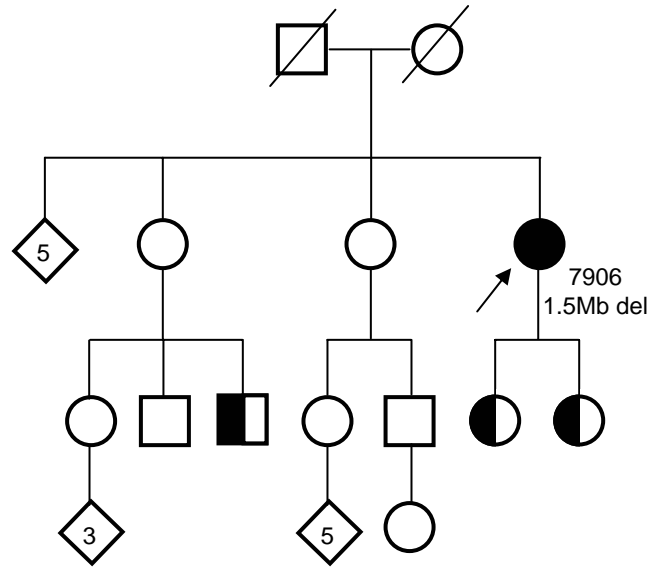


a) CMS5803 Family



b) CMS7906 Family



Supplementary Figure 1. Pedigrees of 15q13 deletions. **(a)** Pedigree for individuals CMS5803 and CMS7833 who were identified independently by qPCR and subsequently found to be related. **(b)** Pedigree for proband CMS7906.