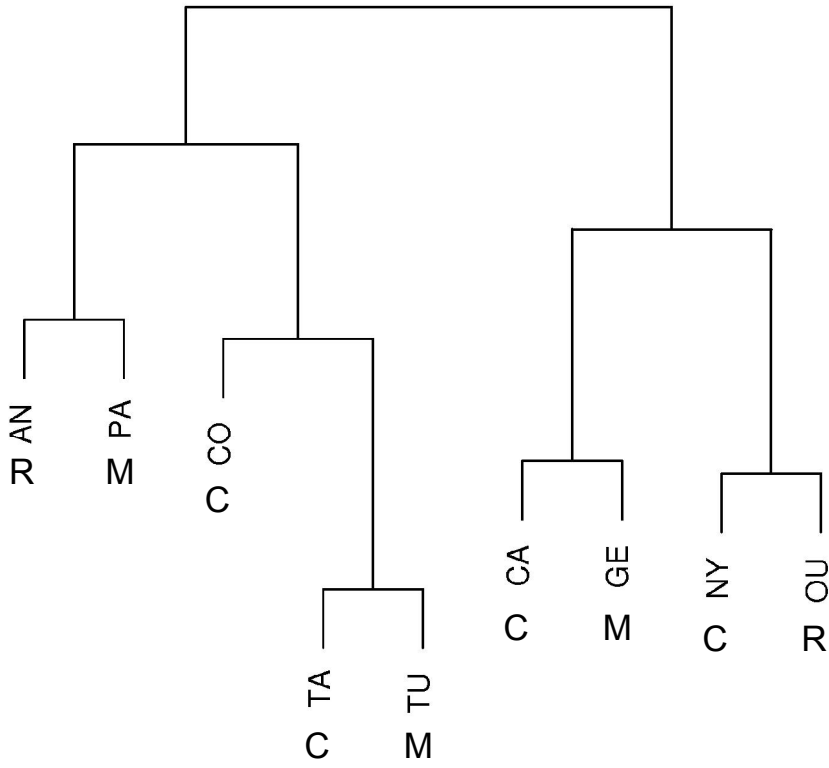


hierarchical clustering p values



Supplementary Figure 2