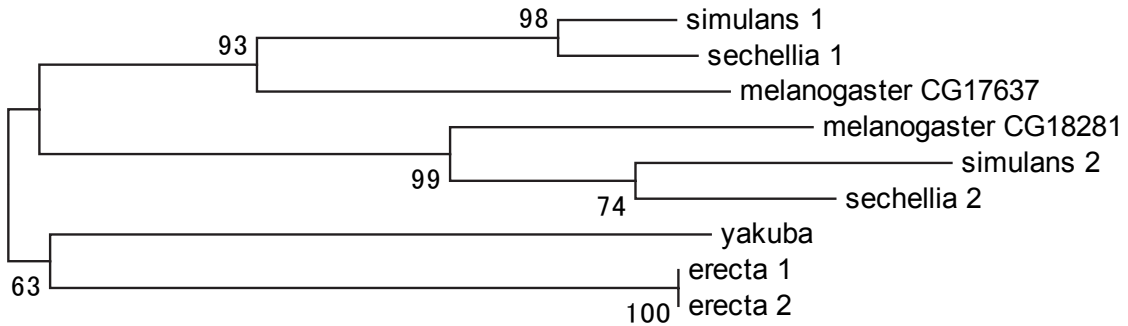
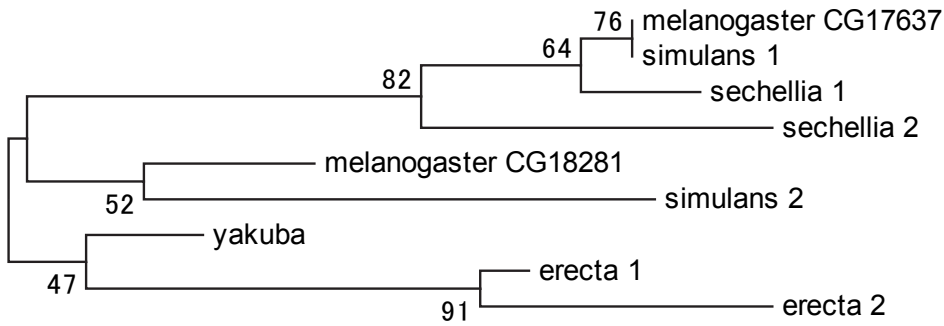


Figure S3 — Protein trees for Pre28

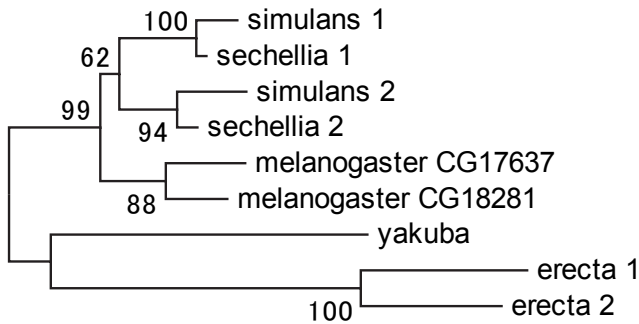
A Peak 1 (181 - 267 aa)



B Peak 2 (364 - 391 aa)



C Other regions



0.05