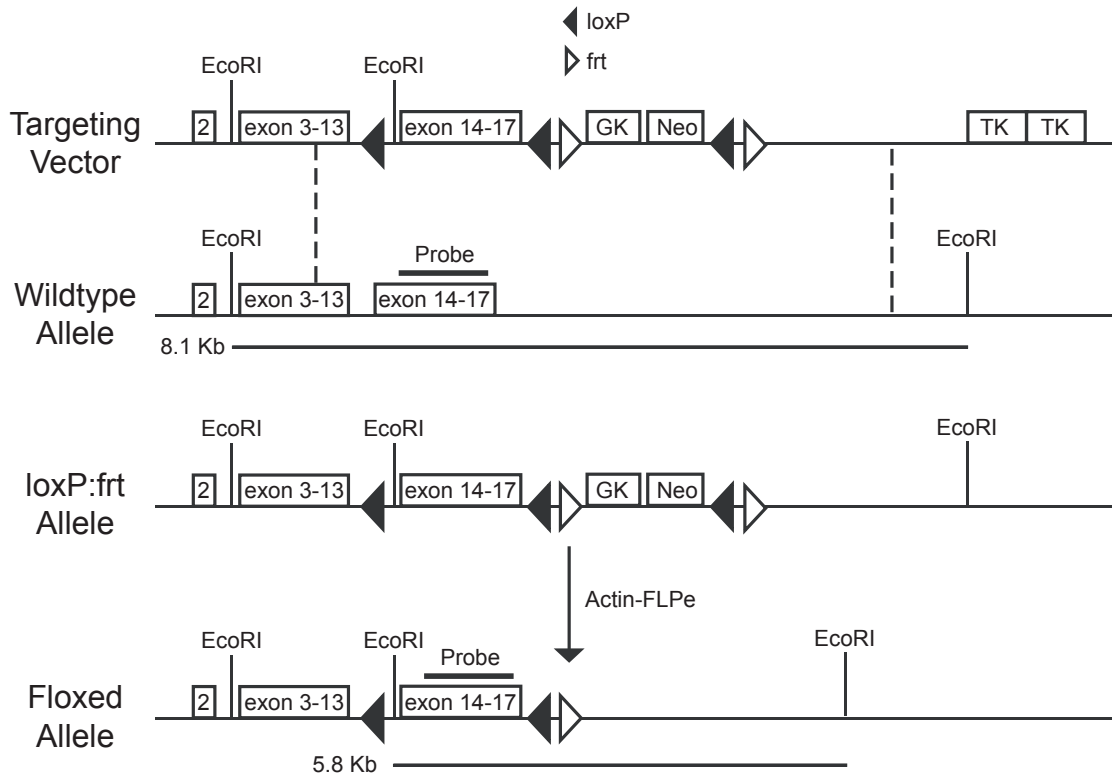
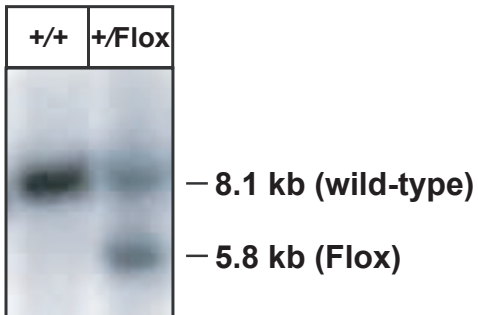


**a**



**b**

*Dgat1* Genotype



Supplementary Table 1: **Primer Sequences for Real-time PCR**

| <b>Gene</b>                       | <b>Sense</b>                   | <b>Antisense</b>                |
|-----------------------------------|--------------------------------|---------------------------------|
| <b><i>Dgat1</i></b>               | 5'-TTCCGCCTCTGGGCATT-3'        | 5'-AGAATCGGCCCAACAATCCA-3'      |
| <b><i>Crabpl1</i></b>             | 5'-CCTCCTGGAGCCGAGAACT-3'      | 5'-GGTGCACACAACGTCATCTG-3'      |
| <b><i>Crbpl</i></b>               | 5'-GATGAACTTCACCTGGAAATGAGA-3' | 5'-GGGCTGCTCAGTGTACTTTCTTAA -3' |
| <b><math>\beta</math>-catenin</b> | 5'-TTAAACTCCTGCACCCACCAT-3'    | 5'-CTAGTCGTGGAATAGCACCCCTGTT-3' |
| <b><i>Vegf</i></b>                | 5'-GCAGGCTGCTGTAACGATGAA-3'    | 5'-TGAGGTTTGATCCGCATGATC-3'     |
| <b><i>Cyclophilin</i></b>         | 5'-TGGAAGAGCACCAAGACAGACA-3'   | 5'-TGCCGGAGTCGACAATGAT-3'       |