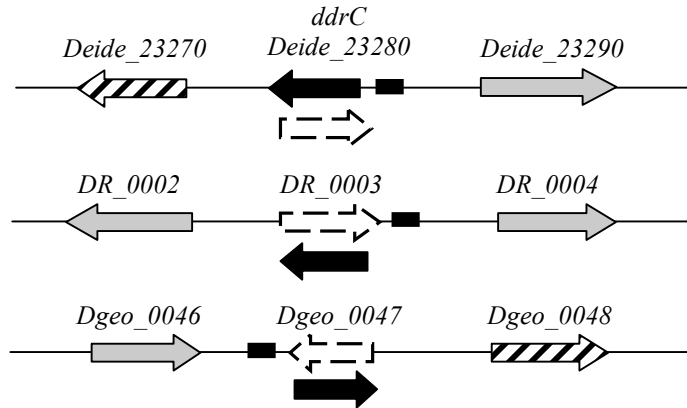


Figure S2

A



B

```

Deide_23280      MKSLPNTLDFGNVRLPVSADGLLHATTALAHGLGLETPEQWDEFATHQLTSPLRDFGAGP 60
revDgeo_0047    MKTAPITLLEFGTQRLPASADGLLHAATALKTLGVPLPEDWAAFAAAYDLRSPERDFGVGP 60
revDR_0003      MKNAPLTLNFGSVRLPVSADGLLHAPTAQQQLGLT--QSWEAALVEHGLPETYRDFGAGP 58
                *. * **:* . **.*.*****.* ** : :.* : * ..****.*

Deide_23280      EPTLHPDEFTRLAFVLDTIARRWRKRAQTLLSRAMQGDVRLSAQIAERNPDPEARRWLA 120
revDgeo_0047    EATLSPDEFARLAFVVDTPARRWRRRAQTLLARALTGDVRLAAQIAERNADPEARRWLA 120
revDR_0003      EAAVSVPDFVALAFALDTPARRWQKRARELLARAMQGDVVRVAAQIAERNPEPDARRWLA 118
                *.: : :.*.***.:* **:*:*:* : **:*:*:*:*:*:*:*:*:*:*:*:*:*

Deide_23280      ARLESTHARRELLSTVSRHGGSGQVYQQLGSI SNRSVLGTDSATIRRERGVKQTRDGLNS 180
revDgeo_0047    ARLESTGARRELISTVARHGGEGPVYQQLGSI SNRSVLGTDSATIRRERAVRQTRDGLRT 180
revDR_0003      ARLESTGARRELLATVARHGGEGRVYQQLGSI SNRTVLGKDSASVRQERGVKATRDGLTS 178
                ***** ***: : :.*.***.* ***:*****:*.*.***.: :.*.* : ***** :

Deide_23280      TELLRMAYLDTATARA IQEHGAHGNAAILRVHEQVARRERLWEMP-LTQTQTG 232
revDgeo_0047    DELLRLAYLDTATARA ISEQVGHGNAAILRLHEEVARRERSLWGG-SAS--- 229
revDR_0003      AELLRLAYIDTVTARA IQESEARGNAAILTLHEQVARSERQSWERAGQVQRVG 231
                ***:**:*.*.***.* . :***** :**:*:* * * . .
    
```

C

```

revDeide_23280  -----LGGQWHL 8
DR_0003        MGTGDPSPLASQGPLPLVEGQKMKKPPVRRGMNEAMEDRGSFFMALVSAYALHLARFP 60
Dgeo_0047      -----

revDeide_23280  AEAF AAGHLLVHAQNRSVAMRAVFLNGAGGGSVQVGH AQQFGAVQAVAGLLDPTLAADGR 68
DR_0003        ALALAAGYLFVEGEDGCVAPRF AFLNGAGGHGVDVGQPQFGARQAVAGGLDAAFLTYRR 120
Dgeo_0047      -----MQPQDRGIAVHPLLADGAGGGGIQIGQAQQFIGPQAVAGLPHSALAPNG 50
                :. : : * : : :**** .: :*.*** . ***** . : : .

revDeide_23280  AVRAQDAAVADAAQLTVNLSGTA VTRDGAEQFTPGMGAFQAGGQPAPGFGVGVALGYLGA 128
DR_0003        AVLAKDGAVADAAELTVDPALATVPGDGGEQFAPGASAFQSGSEPAPGVRLGVALGNLGS 180
Dgeo_0047      GVGAQHAAVADAAQLSVHRPLAAVPRNGTYQLAAGAGAFQTGGQPAPRFRIRVAFCDLCG 110
                .* * : .*****:*.* . : :.* : * * : :.* .***: : :*** . : ** : * .

revDeide_23280  QA HVALHGARQQGLSALAPASGLNGVEDKGTGELVGVQGLGTGPEVAQGAGELMGVVK 188
DR_0003        HA HVALHGAGEQLPRPLLPAPGFGGVEGEGKRHEIGHAHGGLGSGAEVAVRLGQAVFDQR 240
Dgeo_0047      QA HITGQTRQQLRSPAPAPGFRVDHKGEPRELIRRERRFWPHAKVALGAAQVVRCKG 170
                :***: : : : * . **.*. * : : * : . : . : * . : : :

revDeide_23280  LVPLFGSF EAQMGQGRGVQAVRTDGPVAKVKGVRKALHT----- 231
DR_0003        RFPALG--EPELLLGGGVKQTVRADRQPHGAEIEGQRSVLHTDILAQIMFLT 291
Dgeo_0047      GGPVLRQGHASLQSRGMOQTIRAGGQPLRAEFKRDGRGLHAYILAYFTLKT 223
                * : . : . * .***: : * . ** * : : ** :
    
```