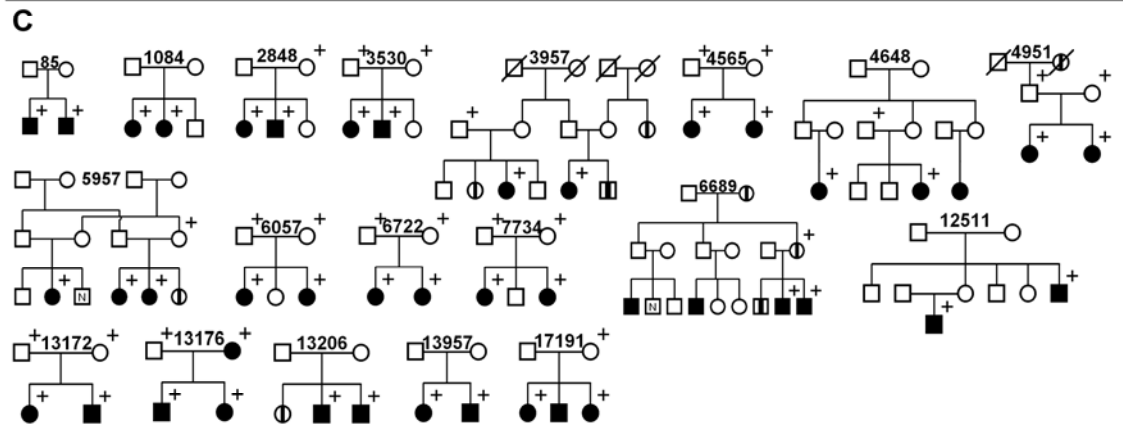
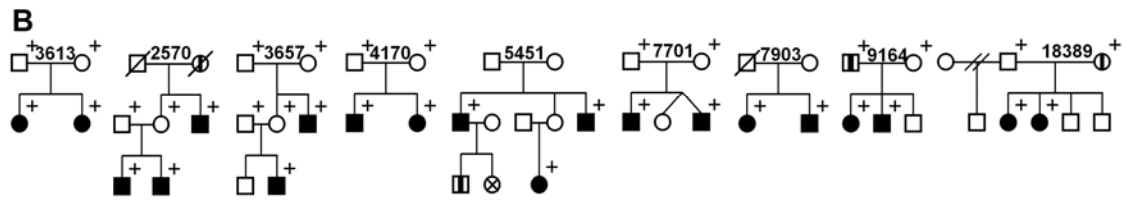
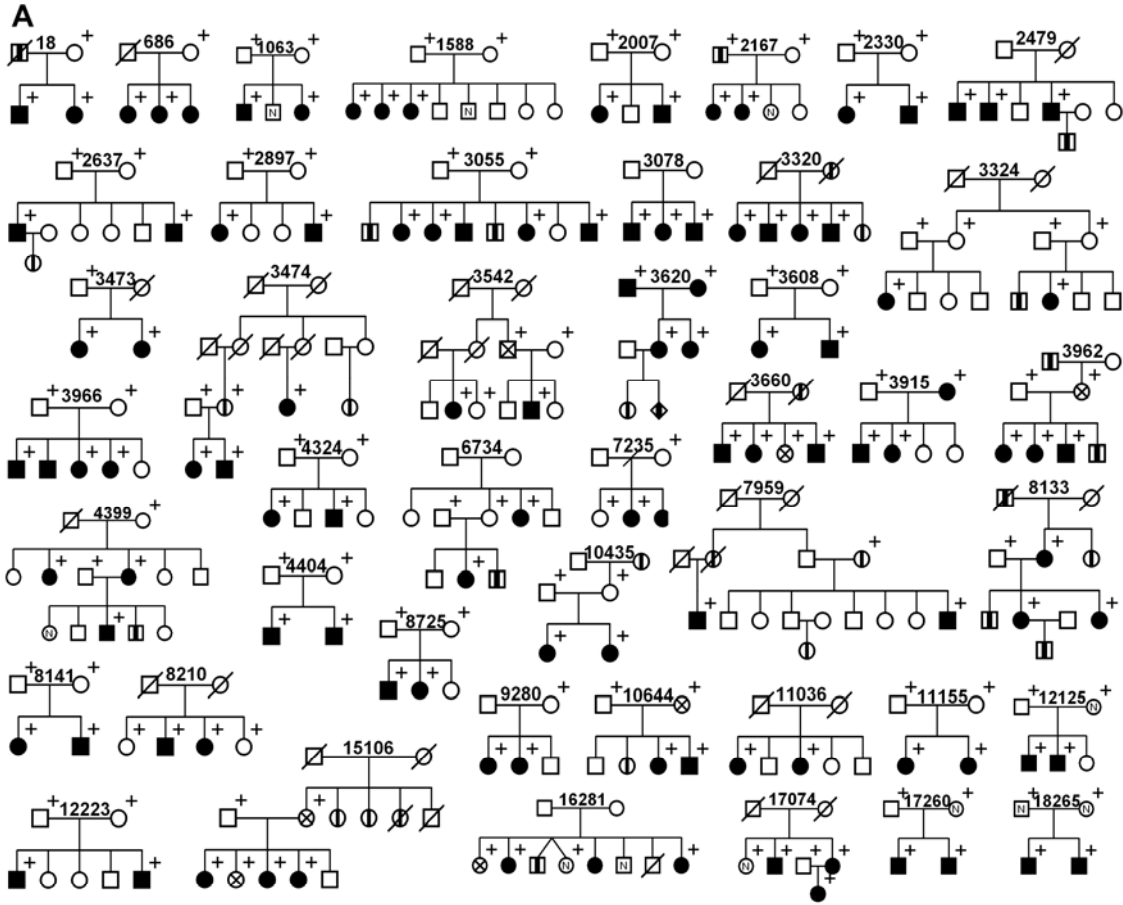


Supplemental Data

Genome-wide Study of Families with Absolute Pitch

Reveals Linkage to 8q24.21 and Locus Heterogeneity

Elizabeth Theusch, Analabha Basu, and Jane Gitschier



Passed test for AP
 AP reported, not tested
 AP reported, did not pass test
 No AP, did not pass test
 No AP reported, not tested
 + Genotyped

Figure S1. Pedigrees of Families Used in Linkage Study

(A) Collection of 45 families of European ancestry.

(B) One family of Indian ancestry (3613) and 8 families of Ashkenazi Jewish ancestry.

(C) Nineteen families of East Asian ancestry.

The key to the symbols is shown at the bottom of the figure.

Table S1. Ethnicities of Families and Contributions of Each Family to Top Linkage Regions

Family	Self-Reported Ethnicity	Population ^a	7q22.3 ^b	8q21.11 ^b	8q24.21 ^b	9p21.3 ^b
18	British/German	Eu	+	0	-	+
686	German/Italian	Eu	0	+	0	+
1063	German/Serbian	Eu	+	-	+	+
1588	Finnish	Eu	-	+	+	+
2007	Polish/Austrian/Swedish/Scottish	Eu	0	+	+	+
2167	German/Danish/English/Irish	Eu	+	+	0	0
2330	Ukrainian/Russian	Eu	0	0	0	-
2479	French/Norwegian/German	Eu	+	+	+	+
2637	German/Swiss	Eu	0	-	+	-
2897	Polish/Scottish/French Canadian	Eu	-	+	0	+
3055	Swedish	Eu	+	+	+	+
3078	Caucasian	Eu	+	+	-	+
3320	English	Eu	-	-	+	+
3324	Dutch	Eu	+	+	-	+
3473	Caucasian	Eu	0	-	-	0
3474	German	Eu	+	-	-	+
3542	Polish	Eu	+	-	+	-
3608	Mennonite (German/Dutch)	Eu	0	0	-	+
3620	French/German (¼ AJ)	Eu	+	-	0	+
3660	English/Slovakian/German/Austrian	Eu	+	+	+	-
3915	¾ Scottish/English/German, ¼ Japanese	Eu	+	+	+	-
3962	French Canadian	Eu	-	+	+	+
3966	European	Eu	+	+	-	+
4324	Swedish/Norwegian/Polish/Danish	Eu	+	-	+	0
4399	Caucasian	Eu	+	+	+	+
4404	Caucasian	Eu	0	+	0	+
6734	Italian/French/English/Irish/Scottish	Eu	+	+	+	-
7235	Italian/Slovak/French/English/Dutch	Eu	+	+	0	-
7959	Caucasian	Eu	+	+	+	+
8133	Scottish/German/Native American	Eu	-	+	+	+
8141	Swedish/German/Bulgarian	Eu	0	0	-	+
8210	English/Irish/Scandinavian	Eu	0	0	+	-
8725	English/Scottish	Eu	+	-	+	+
9280	German/Italian	Eu	0	+	-	0
10435	Irish/French/Scottish/German	Eu	-	0	+	0
10644	Dutch	Eu	+	0	+	0
11036	German	Eu	-	0	+	-
11155	Italian/German/Irish	Eu	0	+	+	0
12125	Hungarian/German/Irish	Eu	-	+	+	-
12223	Caucasian LDS (Mormon)	Eu	+	+	+	0
15106	English	Eu	-	+	+	-
16281	English/Irish	Eu	0	+	-	0
17074	English/Irish/Dutch/Scottish	Eu	+	-	-	-
17260	British/Swedish	Eu	0	0	+	+
18265	British/German/Italian	Eu	0	+	+	0
3613	Indian	I	0	+	0	+
2570	Ashkenazi Jewish	AJ	+	-	-	+
3657	Ashkenazi Jewish	AJ	-	-	-	-
4170	AJ (Russian)	AJ	-	+	0	0
5451	AJ (Russian)	AJ	-	+	-	+
7701	AJ (Hungarian/Russian/Lithuanian)	AJ	0	0	0	0
7903	Ashkenazi Jewish	AJ	0	0	0	0
9164	Jewish (Middle Eastern/Romanian)	AJ	0	0	0	0
18389	Ashkenazi Jewish	AJ	0	0	0	-

Family	Ethnicity	Population	7q22.3 ^b	8q21.11 ^b	8q24.21 ^b	9p21.3 ^b
85	Chinese	E Asian	+	0	0	-
1084	Chinese	E Asian	-	-	0	-
2848	Chinese	E Asian	-	+	0	+
3530	Chinese	E Asian	+	+	+	-
3957	Japanese	E Asian	+	+	-	+
4565	Chinese	E Asian	-	0	-	0
4648	Chinese	E Asian	-	+	0	-
4951	Filipino	E Asian	+	0	0	-
5957	Taiwanese	E Asian	+	+	0	+
6057	Filipino	E Asian	0	+	0	0
6722	Chinese	E Asian	+	-	+	-
6689	Chinese	E Asian	-	0	+	+
7734	Chinese	E Asian	+	-	-	-
12511	Filipino/Chinese	E Asian	+	+	-	+
13172	Chinese	E Asian	+	+	-	-
13176	Taiwanese	E Asian	+	+	+	+
13206	Chinese	E Asian	+	-	0	0
13957	South Korean	E Asian	-	0	-	+
17191	Taiwanese	E Asian	+	-	+	-

^a All families of European (Eu), Ashkenazi Jewish (AJ), and Indian (I) ancestry are included in the Eu/AJ/I sample set, while the Eu sample set excludes families of Ashkenazi Jewish and Indian descent.

^b Contributions were considered positive (+) if they were ≥ 0.01 multipoint nonparametric exponential logarithm of the odds (LOD), negative (-) if they were ≤ -0.01 LOD, and neutral (0) if they were between -0.01 and 0.01 LOD.

Refer to Figure S1 for pedigrees of these families.