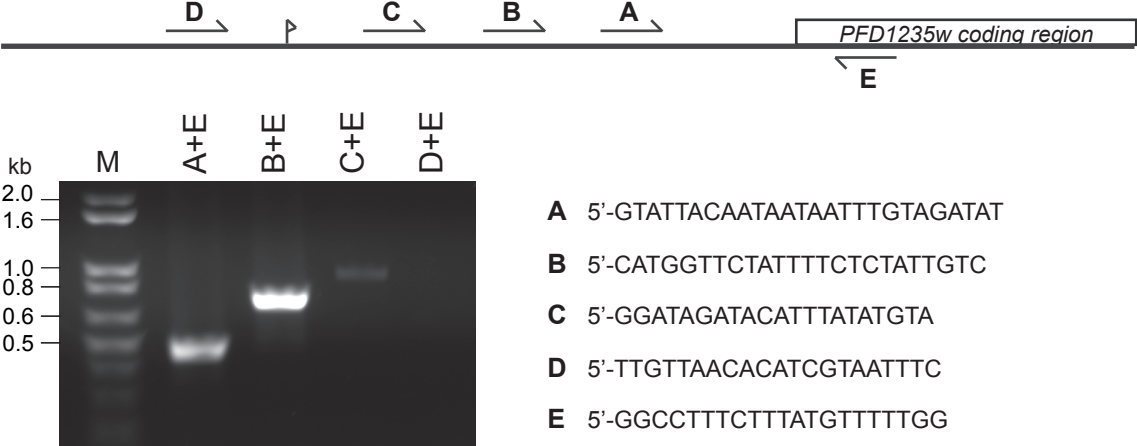
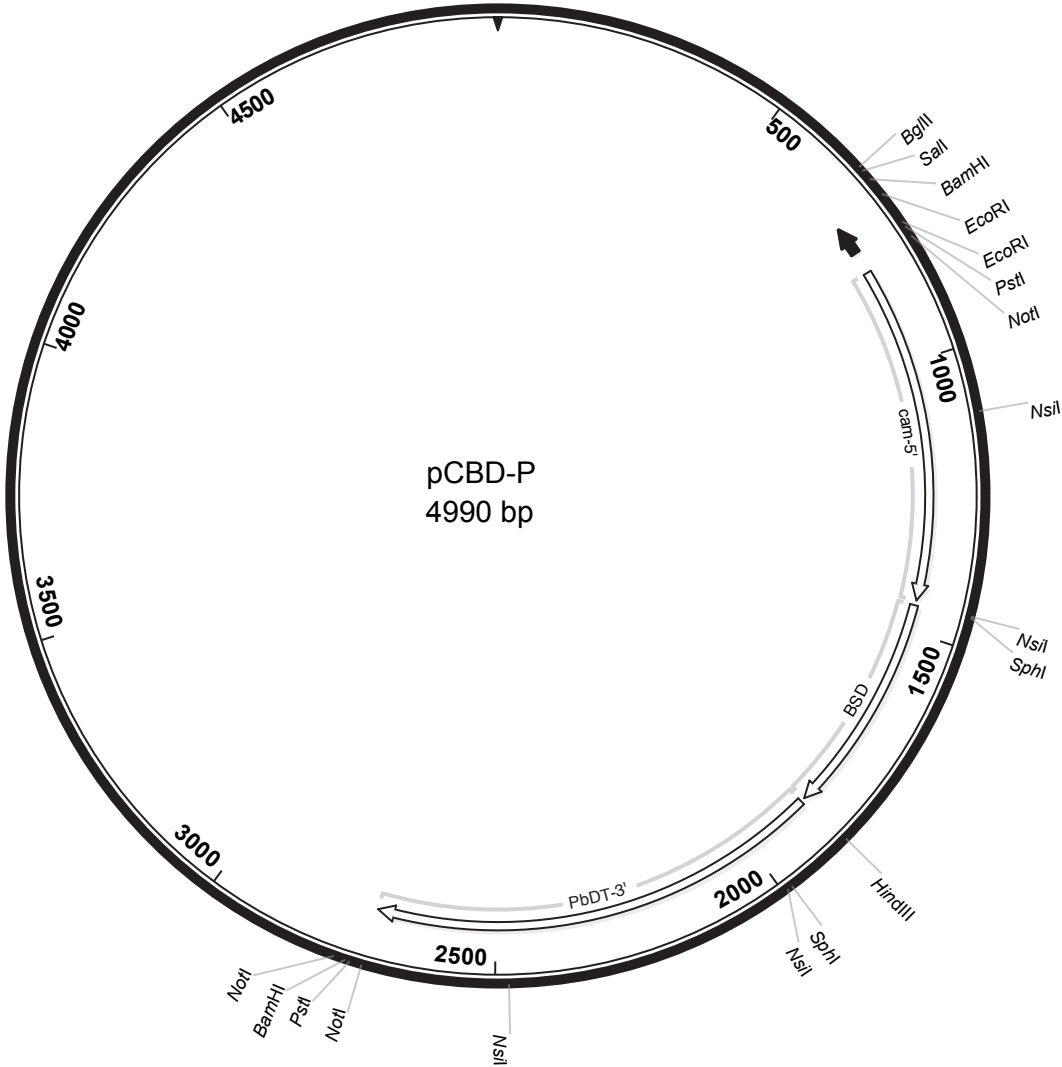


# Supplementary Figure 1

**A**



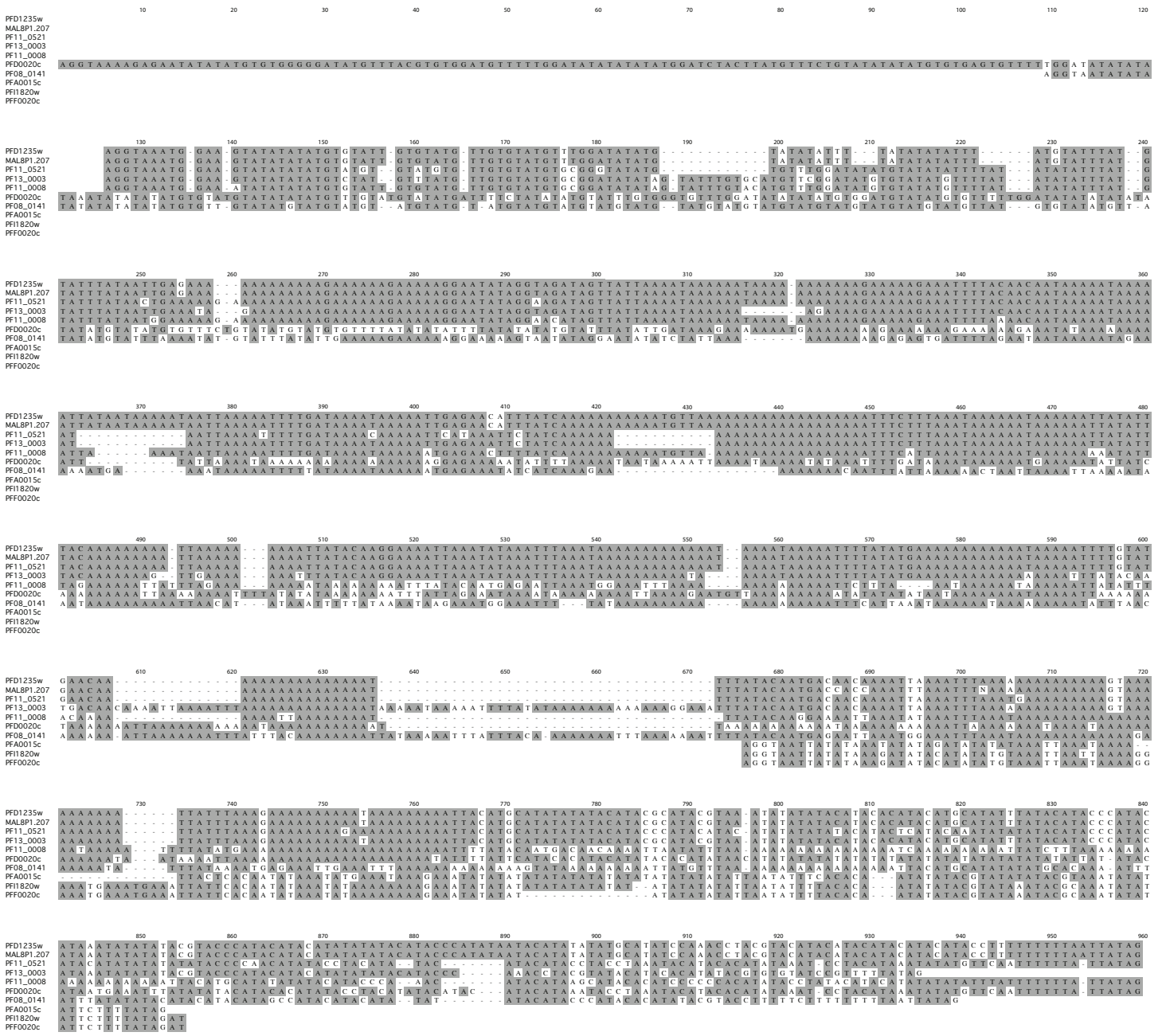
**B**



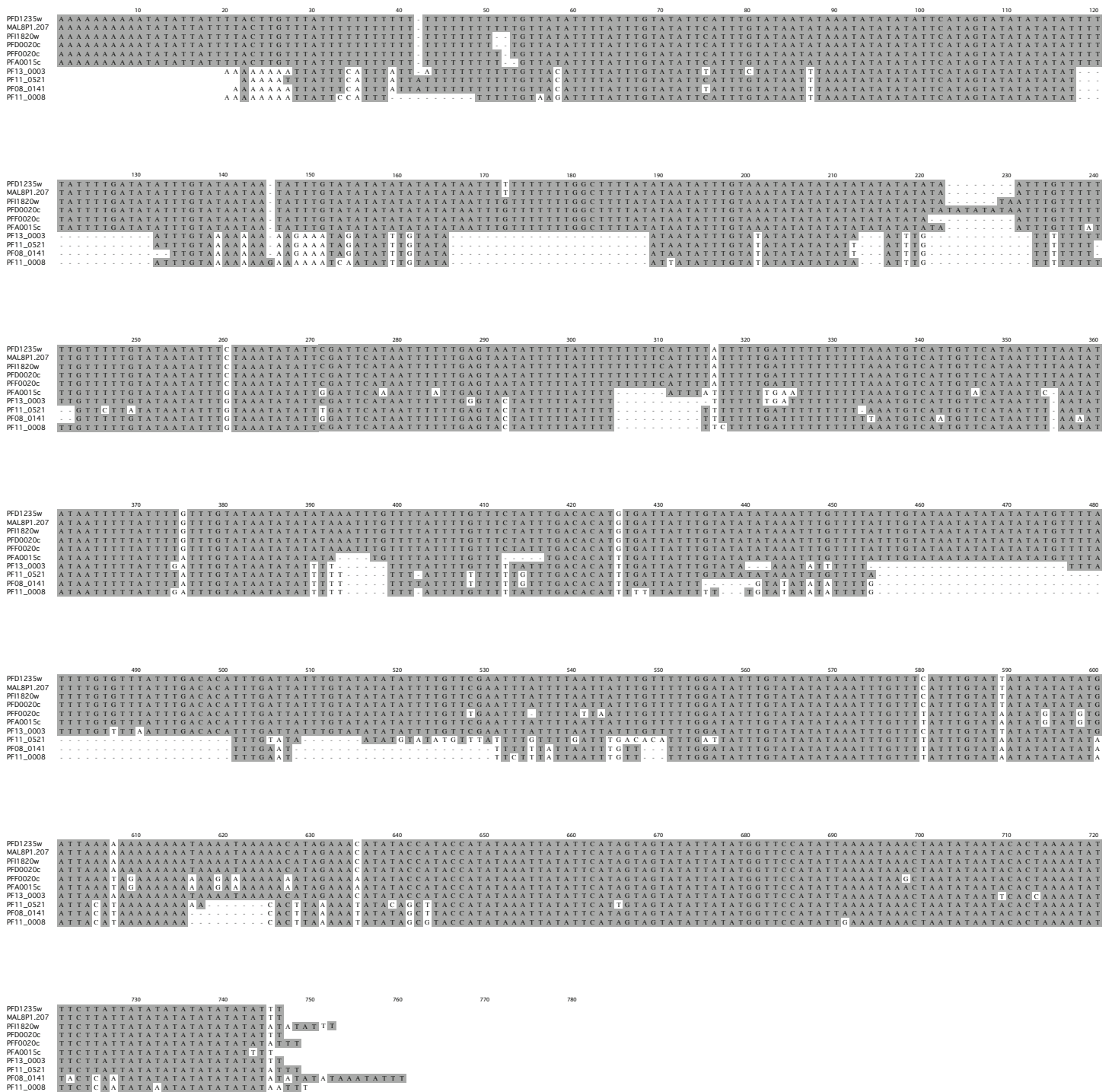
# Supplementary Figure 2A



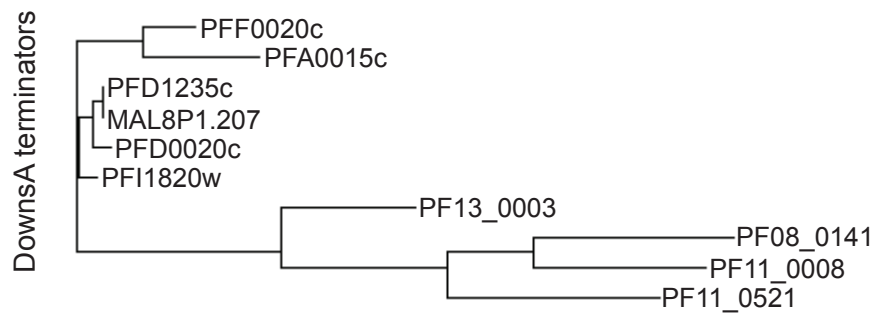
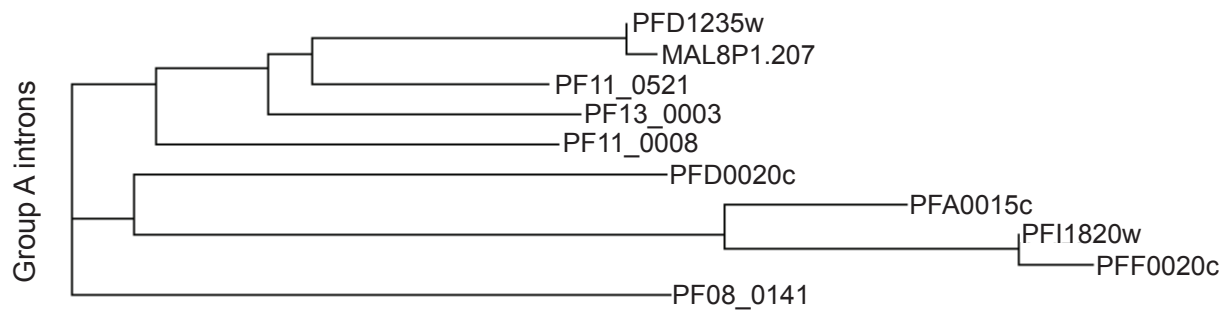
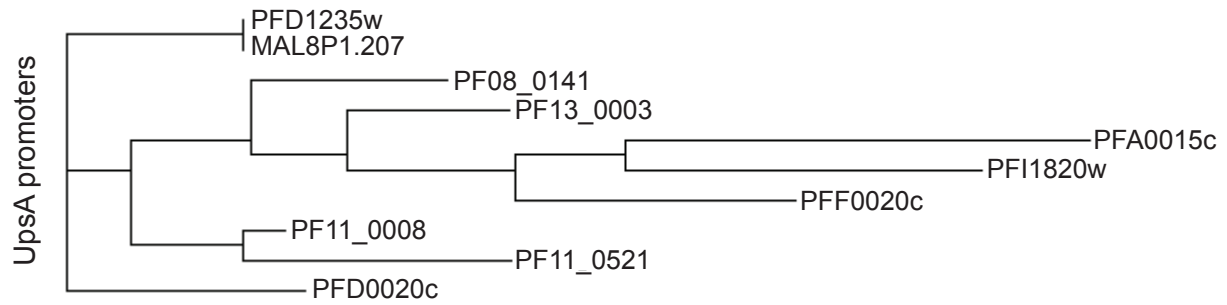
# Supplementary Figure 2B



# Supplementary Figure 2C

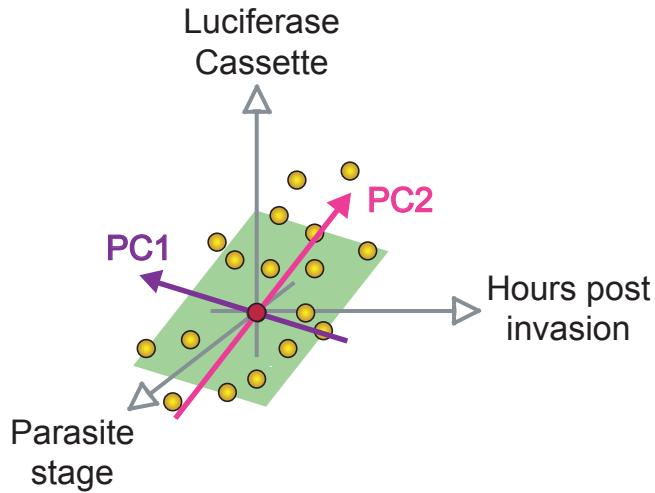


Supplementary Figure 2D



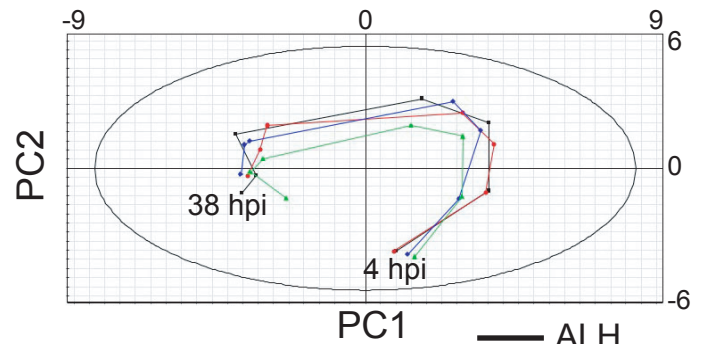
# Supplementary Figure 3

**A**

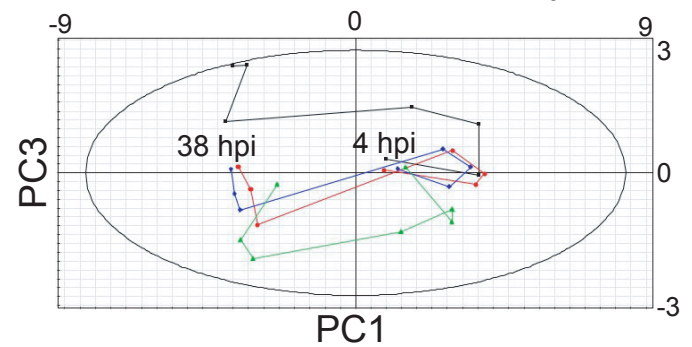


**B**

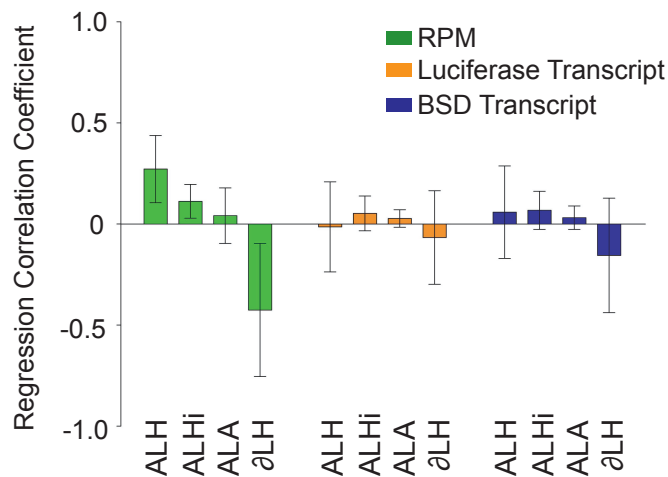
Lifecycle Variation



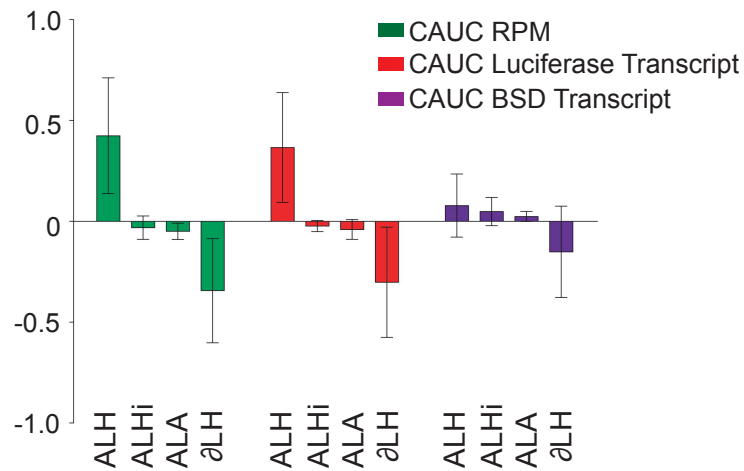
Reporter Cassette Variation



**C**

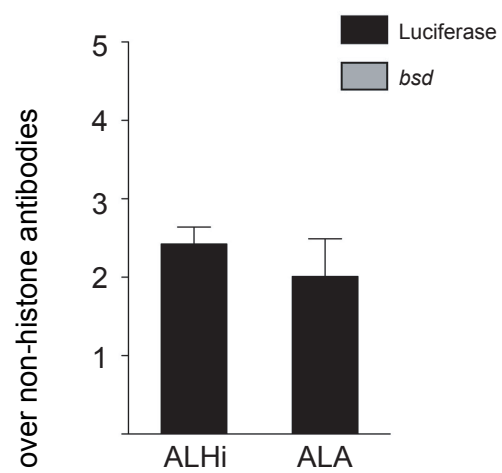


**D**



## Supplementary Figure 4

**A**



**B**

