

Figure 5

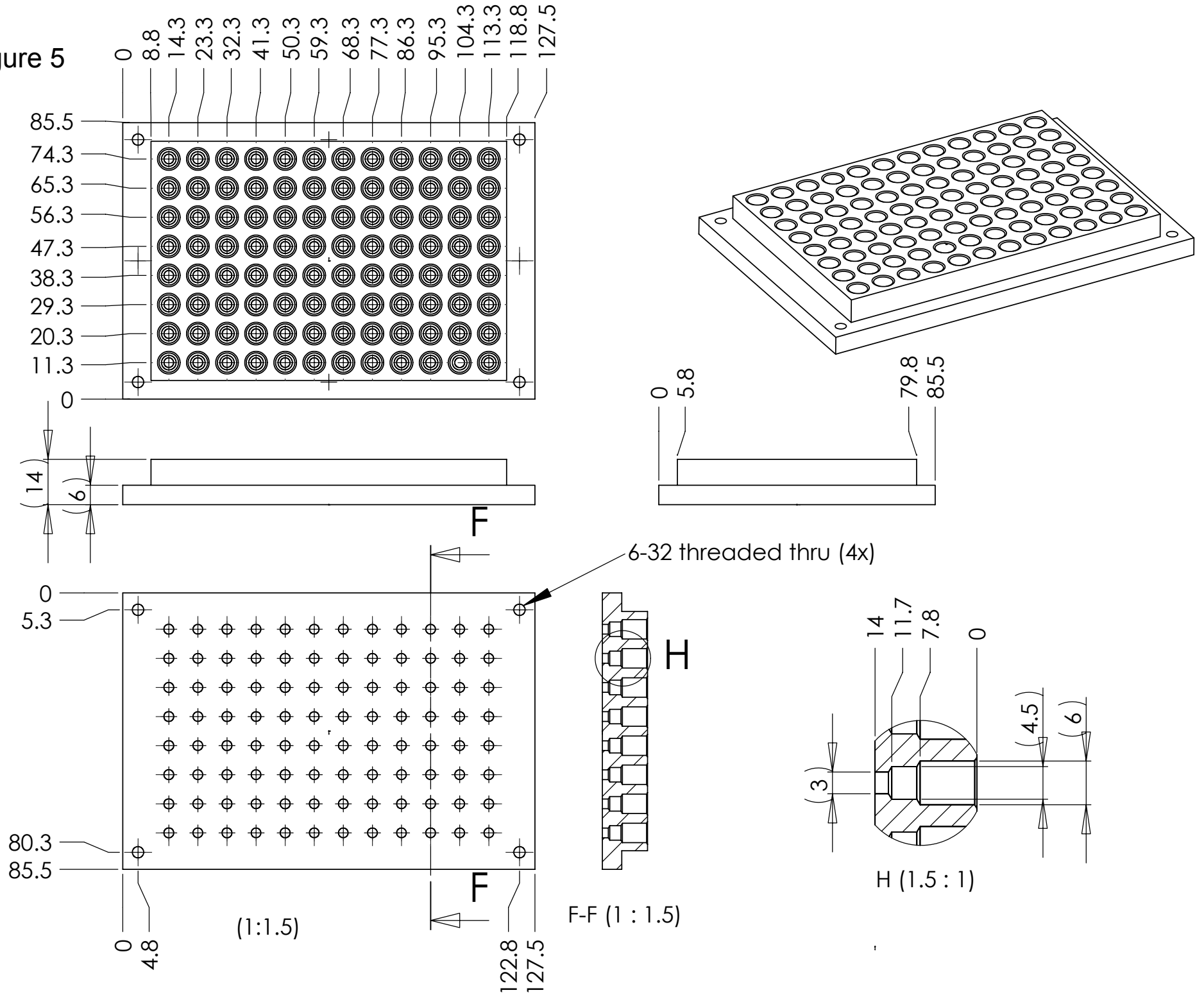
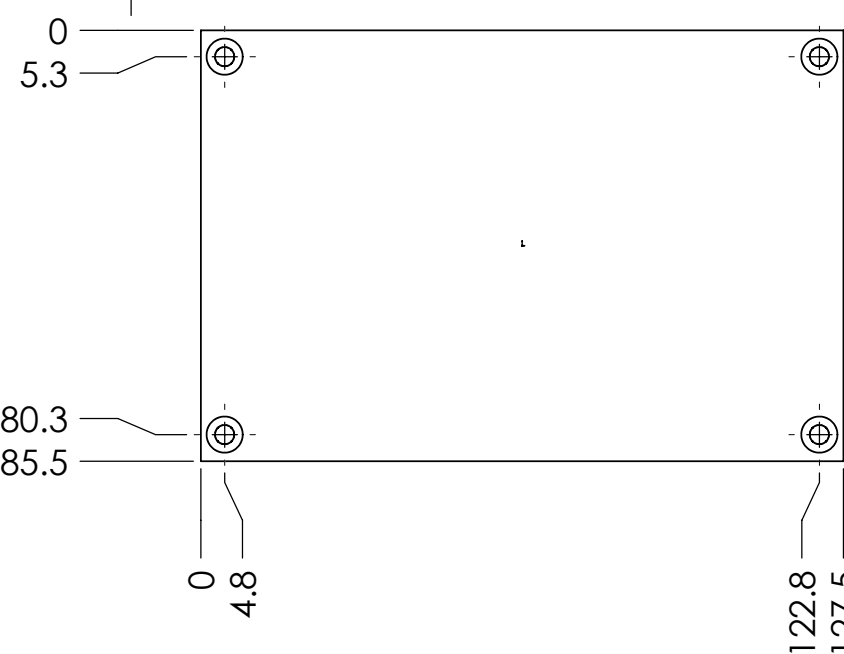
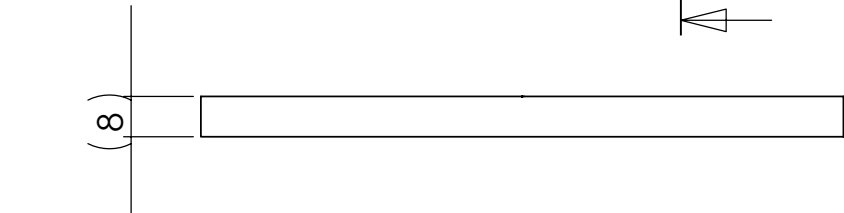
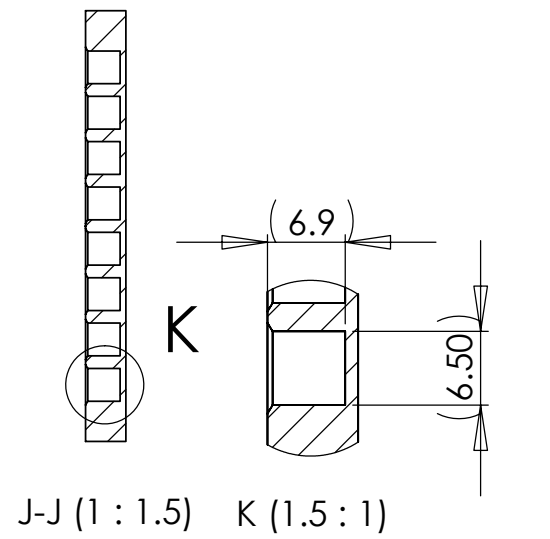
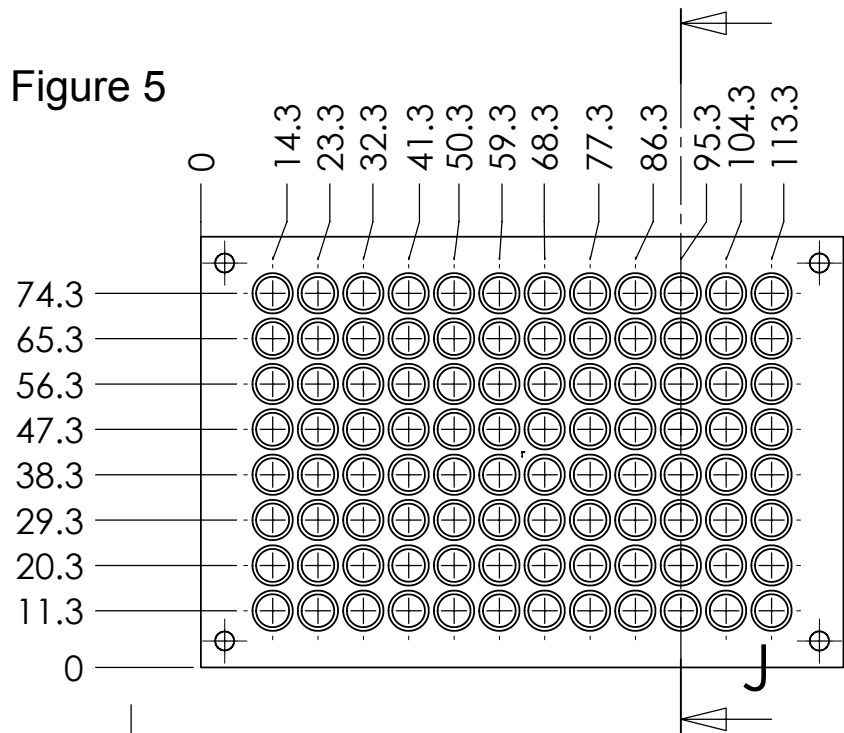


Figure 5



C Bore for 6-32 hex socket head cap screws
 This hole should be matched with stainless steel screws such that when attached to mating piece (REL004-01) the ends of the screws do not protrude.
 (4x)

