

# *Genome wide scan for signatures of human population differentiation and their relationship with natural selection, functional pathways and diseases*

*Roberto Amato<sup>1</sup>, Michele Pinelli, Antonella Monticelli, Davide Marino, Gennaro Miele and Sergio Coccozza*

---

## *Supplementary material*

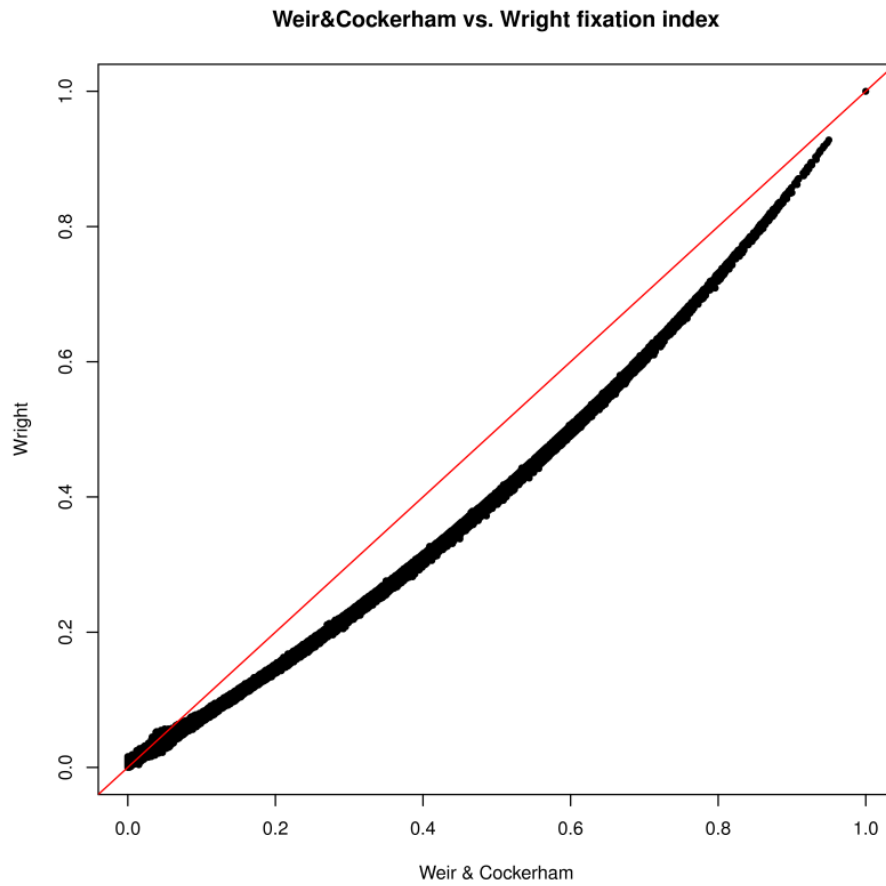
Wright vs. Weir&Cockerham $F_{ST}$ .....	2
Per-chromosome statistics of $F_{ST}$ values .....	3
Enriched pathways.....	4
Leading edge.....	11
GAD diseases classification.....	18

---

<sup>1</sup> [roamato@na.infn.it](mailto:roamato@na.infn.it)

## Weir&Cockerham vs. Wright $F_{ST}$

---



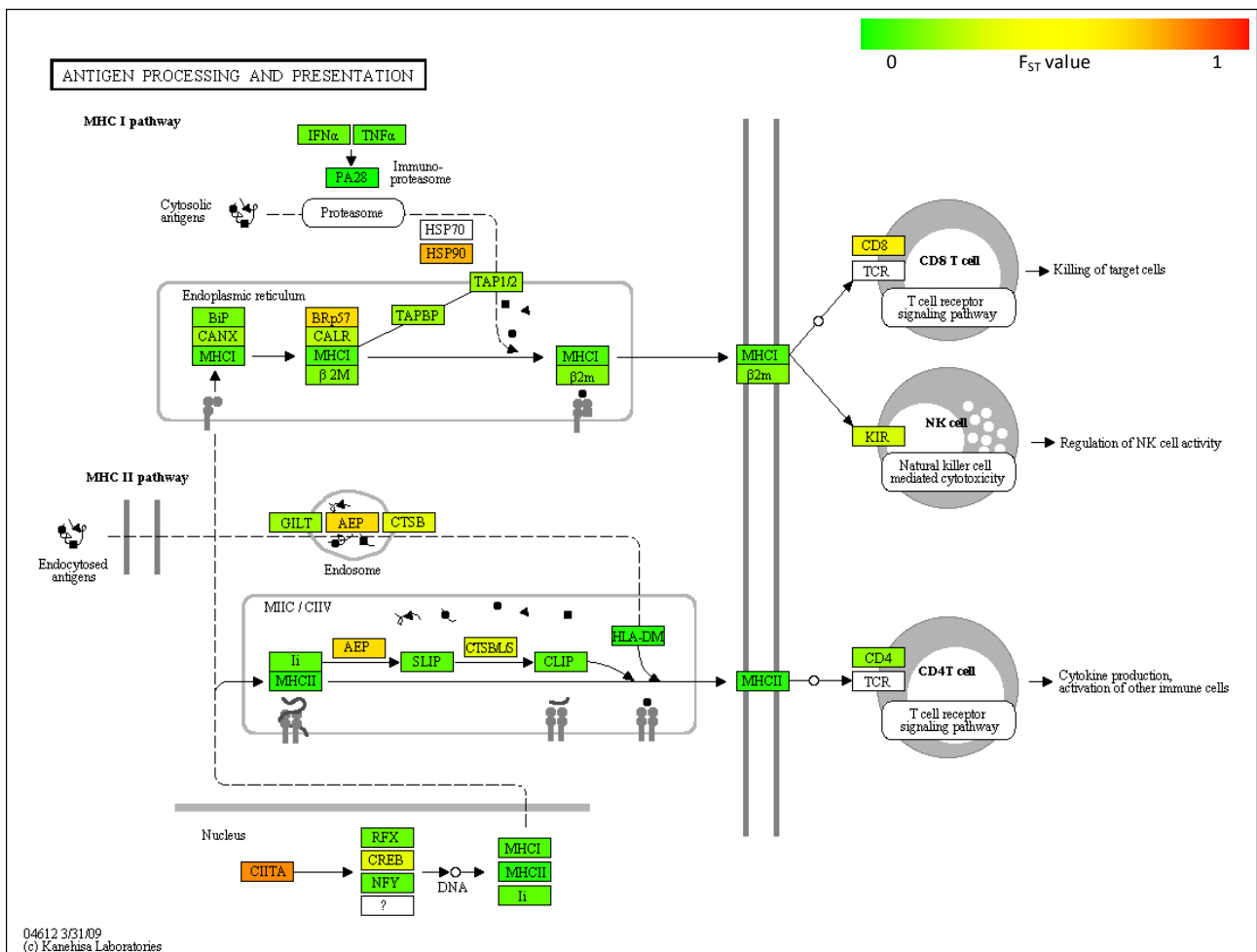
For each SNP, we computed its  $F_{ST}$  value using both the Wright and the Weir&Cockerham estimators. As expected, the two measures are strongly correlated (Spearman's  $\rho=0.97$ ,  $p<10^{-16}$ ).

## Per-chromosome statistics of $F_{ST}$ values

Chromosome	Number of SNPs	Mean	Standard Deviation	Median	Interquartile range
1	160631	0.121	0.110	0.090	0.129
2	182756	0.127	0.114	0.096	0.135
3	141273	0.123	0.111	0.092	0.134
4	131470	0.122	0.112	0.090	0.131
5	138353	0.118	0.107	0.088	0.126
6	142779	0.114	0.104	0.084	0.123
7	114767	0.120	0.110	0.089	0.130
8	119383	0.123	0.110	0.092	0.132
9	97952	0.120	0.108	0.089	0.128
10	110485	0.120	0.110	0.089	0.129
11	106880	0.115	0.105	0.086	0.124
12	96493	0.119	0.108	0.089	0.126
13	83084	0.117	0.104	0.089	0.125
14	67477	0.120	0.107	0.090	0.131
15	59040	0.130	0.116	0.098	0.138
16	59604	0.121	0.108	0.091	0.129
17	50163	0.127	0.114	0.094	0.137
18	62453	0.116	0.103	0.089	0.123
19	32325	0.119	0.109	0.090	0.129
20	51481	0.123	0.113	0.090	0.133
21	28532	0.120	0.110	0.089	0.128
22	26757	0.122	0.109	0.091	0.130
X	61204	0.174	0.153	0.129	0.189
Y	98	0.606	0.282	0.676	0.528
<i>Overall</i>	<i>2125440</i>	<i>0.122</i>	<i>0.111</i>	<i>0.091</i>	<i>0.131</i>

## Enriched pathways

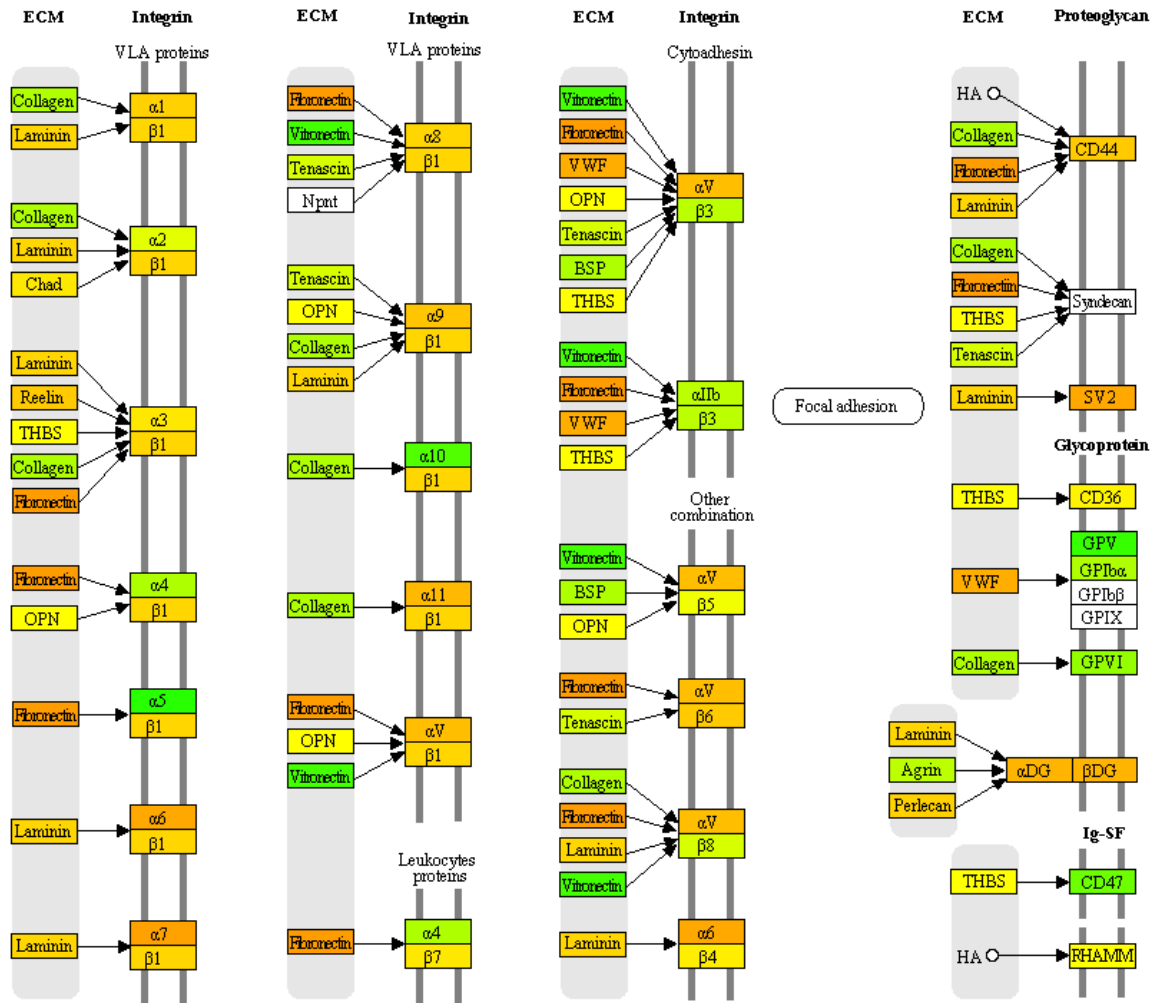
KEGG pathways found enriched by using GSEA. Genes are coloured according to their FST value through the “Color objects in KEGG pathways” functionality provided by KEGG ([http://www.genome.jp/kegg/tool/color\\_pathway.html](http://www.genome.jp/kegg/tool/color_pathway.html)).



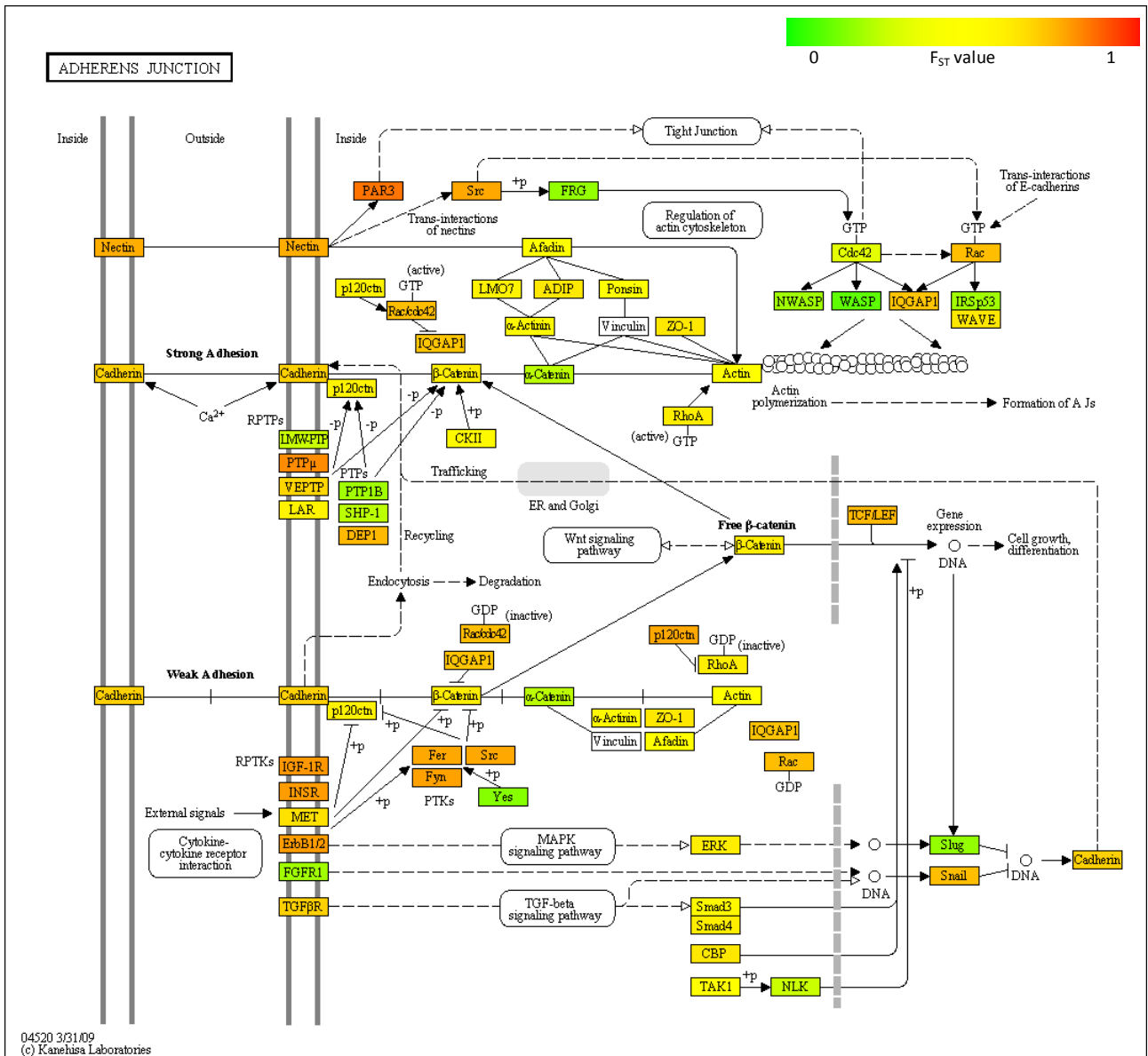




ECM-RECEPTOR INTERACTION



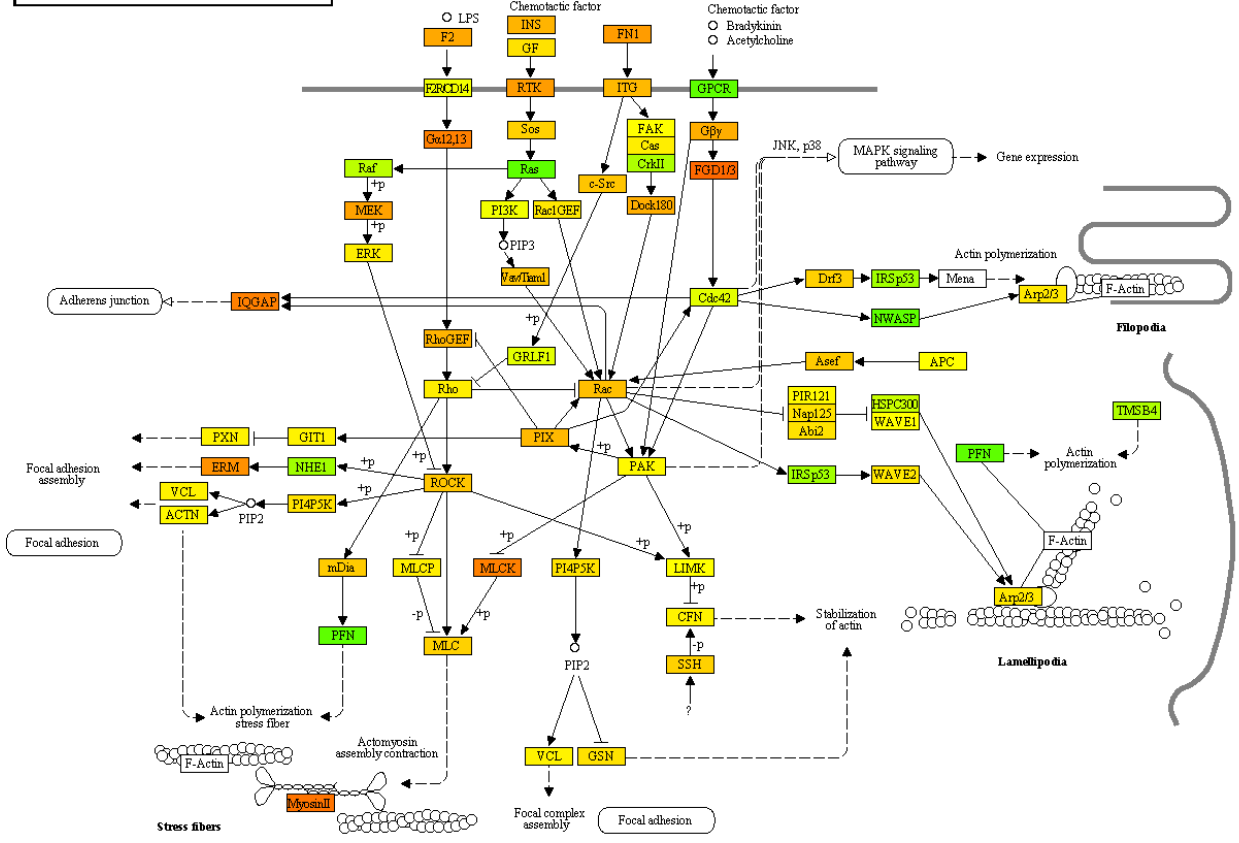
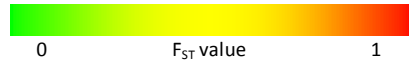
04512 3/31/09  
 (c) Kanehisa Laboratories



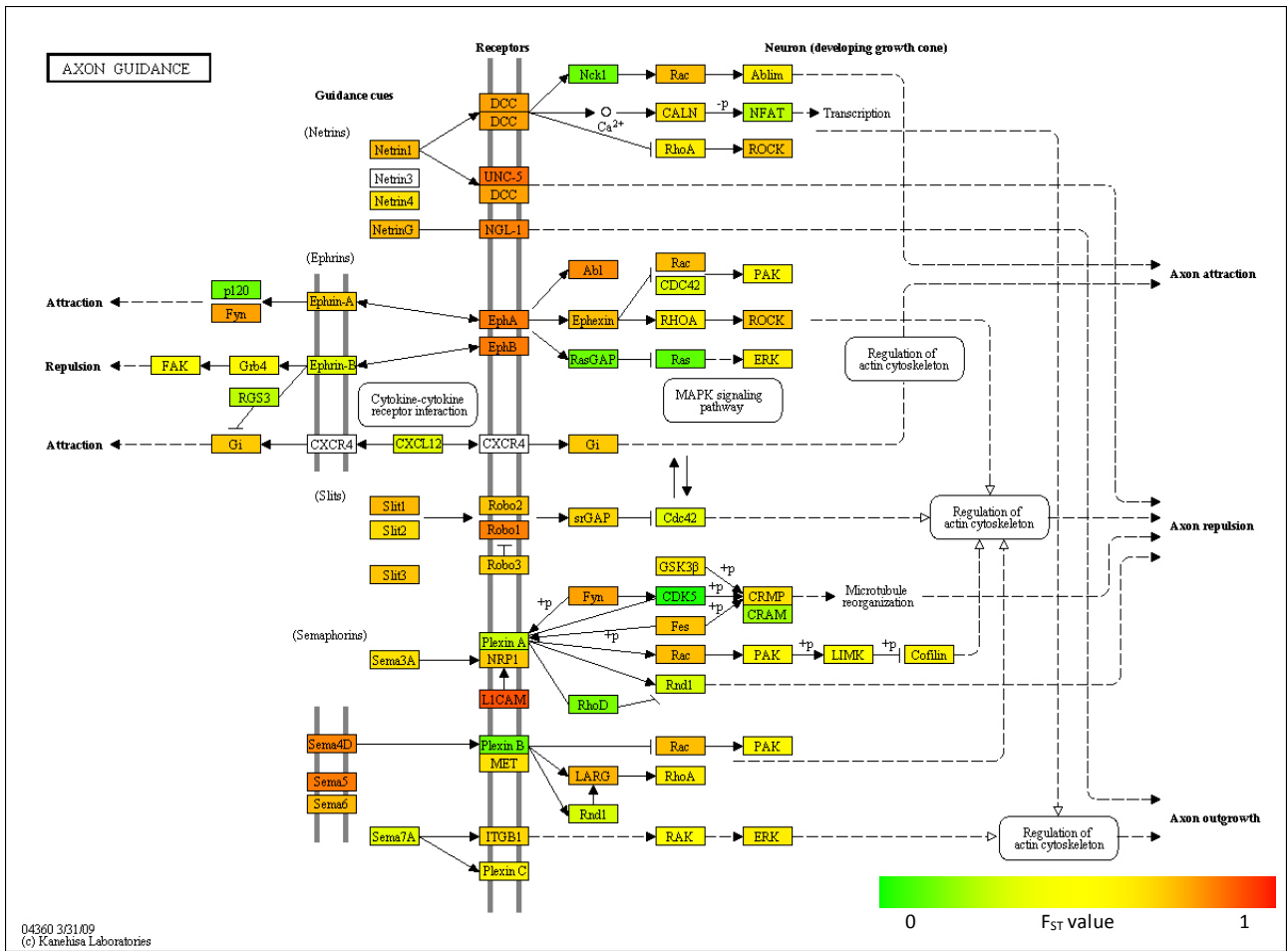
04520 3/31/09  
 (c) Kanehisa Laboratories



REGULATION OF ACTIN CYTOSKELETON



04810 3/21/09  
© Kanehisa Laboratories



**Antigen processing and presentation pathway**

Gene	F <sub>ST</sub>				
HLA-DRB5	0.000	HLA-C	0.100	KIR2DL4	0.151
PSME1	0.011	IFNA13	0.102	B2M	0.154
HLA-DRB1	0.026	CD74	0.103	TAP2	0.155
KLRC3	0.044	HLA-DQB1	0.103	IFNA16	0.170
HLA-DMA	0.048	IFNA8	0.109	CD4	0.176
CTSL1	0.056	IFNA10	0.113	IFI30	0.182
NFYB	0.061	HLA-F	0.114	KLRC4	0.186
HLA-E	0.070	NFYA	0.114	CANX	0.193
HLA-B	0.082	IFNA1	0.122	TAPBP	0.193
IFNA6	0.089	RFX5	0.127	TAP1	0.194
LTA	0.092	HSPA5	0.137	KIR2DS4	0.197
HLA-DRA	0.093	IFNA5	0.145	RFXAP	0.198
KIR3DL2	0.095	RFXANK	0.145	HLA-DOA	0.203
IFNA14	0.096	IFNA17	0.147	CTSS	0.205
HLA-A	0.098	IFNA4	0.147		
		HLA-DMB	0.149		

### Calcium signaling pathway

Gene	F <sub>ST</sub>
NTSR1	0.740
ADCY9	0.725
MYLK	0.660
ERBB4	0.650
CACNA1I	0.627
ADCY8	0.615
EDNRA	0.607
CHRM3	0.603
ADCY2	0.594
PHKA1	0.585
CACNA1A	0.574
EGFR	0.572
TRHR	0.570
ERBB2	0.562
GRM1	0.559
PLCD4	0.559
RYR3	0.556
CAMK2D	0.554
PPID	0.554
PPP3CA	0.553
PLCB1	0.545
GNA14	0.543
CACNA1G	0.539
CHRM5	0.539

PRKCB1	0.528
CACNA1D	0.518
ITPR3	0.516
CYSLTR1	0.514
AGTR1	0.509
SLC8A1	0.496
GRM5	0.494
ITPR1	0.493
PHKA2	0.491
ATP2B4	0.482
GNAS	0.482
SLC8A2	0.479
ATP2B3	0.476
CACNA1C	0.474
PLCZ1	0.472
CACNA1F	0.469
OXTR	0.468
GRIN2A	0.467
PLCB4	0.465
CHRM2	0.462
HTR5A	0.462
ADORA2B	0.459
PLCG2	0.457
ITPR2	0.455
RYR2	0.451

ATP2A2	0.450
LHCGR	0.447
PRKX	0.446
CACNA1B	0.445
CCKBR	0.445
MYLK2	0.444
CHRNA7	0.443
CALM2	0.442
PPP3CB	0.440
TACR3	0.440
CACNA1S	0.439
GNAL	0.436
TRPC1	0.434
CALM1	0.431
GNAQ	0.423
ADRA1A	0.422
ADCY7	0.421
CACNA1E	0.421
NOS1	0.421
SLC8A3	0.421
ATP2B2	0.420
CD38	0.418
HTR2C	0.418

### Focal adhesion pathway

Gene	F <sub>ST</sub>
VAV2	0.935
GRB2	0.752
VEGFC	0.732
PARVA	0.718
TNXB	0.715
COL11A1	0.694
LAMA5	0.670
VAV1	0.667
MYLK	0.660
ACTN1	0.653
PPP1CA	0.629
LAMB4	0.620
TNN	0.589
COL5A1	0.588
IGF1R	0.584
LAMA1	0.584
FLNB	0.574
EGFR	0.572
LAMA2	0.571
RAF1	0.571
FN1	0.569
FLNA	0.567
SHC3	0.565
ERBB2	0.562
ITGA7	0.559

FYN	0.556
MAP2K1	0.554
SRC	0.550
ITGA6	0.542
VWF	0.534
PRKCB1	0.528
DOCK1	0.527
ACTN2	0.504
ITGA11	0.502
LAMA3	0.501
TLN2	0.496
PDGFD	0.492
PAK7	0.484
PIK3CD	0.483
FLT1	0.482
ITGAV	0.481
PAK3	0.478
RAC1	0.478
CAV1	0.473
CCND1	0.469
ROCK1	0.468
ITGA9	0.464
MAPK10	0.463
VAV3	0.460
COL5A2	0.458
COL6A6	0.452

DIAPH1	0.449
PAK2	0.449
BRAF	0.445
MYLK2	0.444
RELN	0.443
COL4A2	0.442
ITGB6	0.440
AKT1	0.439
SOS1	0.434
COL4A6	0.430
ITGA1	0.429
PIK3CA	0.429
MYL9	0.427
LAMA4	0.424
PDGFC	0.423
COL1A2	0.422
ITGA8	0.422
ITGB1	0.421
PARVB	0.421
CAPN2	0.420
HGF	0.419
PPP1CC	0.418
LAMC3	0.417

### ECM-receptor interaction pathway

Gene	F <sub>ST</sub>
TNXB	0.715
COL11A1	0.694
SV2B	0.692
LAMA5	0.670
LAMB4	0.620
TNN	0.589
COL5A1	0.588
LAMA1	0.584
SDC2	0.576
LAMA2	0.571
FN1	0.569
ITGA7	0.559

SV2C	0.545
ITGA6	0.542
VWF	0.534
DAG1	0.515
ITGA11	0.502
LAMA3	0.501
SDC4	0.488
ITGAV	0.481
SV2A	0.475
ITGA9	0.464
COL5A2	0.458
CD44	0.454
COL6A6	0.452

RELN	0.443
COL4A2	0.442
ITGB6	0.440
HSPG2	0.436
COL4A6	0.430
ITGA1	0.429
LAMA4	0.424
COL1A2	0.422
ITGA8	0.422
ITGB1	0.421
LAMC3	0.417

### Adherens junction pathway

Gene	F <sub>ST</sub>
PARD3	0.682
CTNNA3	0.677
ACTN1	0.653
TCF7L2	0.647
TCF7L1	0.626
PTPRM	0.616
IGF1R	0.584
INSR	0.579

EGFR	0.572
ERBB2	0.562
FYN	0.556
SRC	0.550
FER	0.543
CTNNA2	0.538
PVRL3	0.527
ACTN2	0.504
PTPRJ	0.502

LEF1	0.501
SMAD3	0.487
TGFBR1	0.480
RAC1	0.478
SNAI1	0.474
PVRL1	0.462
IQGAP1	0.460

### Regulation of actin cytoskeleton pathway

Gene	F <sub>ST</sub>					
VAV2	0.935		FGFR2	0.538	DIAPH1	0.449
MSN	0.930		FGF14	0.533	PAK2	0.449
FGD1	0.711		TIAM1	0.532	BRAF	0.445
MYH9	0.693		DOCK1	0.527	MYLK2	0.444
ITGAE	0.692		PIP4K2A	0.521	ITGB6	0.440
ARPC1B	0.688		DIAPH2	0.519	ITGAX	0.439
VAV1	0.667		GNG12	0.519	LIMK2	0.437
MYLK	0.660		ARHGEF12	0.518	SSH1	0.436
ACTN1	0.653		FGF12	0.515	SOS1	0.434
GNA13	0.651		INS	0.515	ITGA1	0.429
IQGAP2	0.651		ITGAM	0.515	PIK3CA	0.429
ARHGEF1	0.641		ACTN2	0.504	MYL9	0.427
SSH3	0.630		ARHGEF7	0.502	DIAPH3	0.425
PPP1CA	0.629		ITGA11	0.502	FGF19	0.424
EZR	0.613		SSH2	0.496	ITGA8	0.422
CHRM3	0.603		PAK7	0.484	ITGB1	0.421
PIP5K3	0.581		PIK3CD	0.483	GNA12	0.420
EGFR	0.572		ITGAV	0.481	ARPC2	0.419
FGF2	0.571		PAK3	0.478	FGFR3	0.419
RAF1	0.571		RAC1	0.478	PPP1CC	0.418
FN1	0.569		KRAS	0.471	APC	0.416
ITGA7	0.559		ROCK1	0.468	ITGB2	0.414
MAP2K1	0.554		CSK	0.464	CRKL	0.413
F2	0.546		ITGA9	0.464	PAK6	0.411
ITGA6	0.542		CHRM2	0.462		
CHRM5	0.539		IQGAP1	0.460		
			VAV3	0.460		
			ARHGEF4	0.455		



### Axon guidance pathway

Gene	F <sub>ST</sub>
EPHA6	0.817
L1CAM	0.788
PLXNA3	0.724
UNC5D	0.697
SEMA5B	0.677
EPHB1	0.667
EPHA2	0.663
LRRC4C	0.661
ROBO1	0.661
UNC5A	0.660
SEMA4C	0.655
SEMA6D	0.654
SEMA3E	0.648
SEMA4F	0.634
ABL1	0.619
SEMA3F	0.618
EPHB6	0.597
DCC	0.559
GNAI2	0.558
FYN	0.556
PPP3CA	0.553

EPHB2	0.545
SEMA3B	0.544
SEMA6A	0.531
UNC5C	0.529
ARHGEF12	0.518
NFATC1	0.518
EFNA5	0.511
NTNG1	0.502
ABLIM2	0.501
SLIT1	0.498
NTN1	0.492
SEMA6C	0.489
ABLIM1	0.486
PAK7	0.484
PAK3	0.478
RAC1	0.478
SEMA5A	0.475
NGEF	0.473
KRAS	0.471
ROCK1	0.468
SLIT3	0.468
NFATC3	0.467
FES	0.465

SEMA3D	0.464
EFNA4	0.463
ROBO2	0.461
PAK2	0.449
GNAI1	0.446
NRP1	0.443
PPP3CB	0.440
LIMK2	0.437
NFATC2	0.437
ROBO3	0.437
SEMA4B	0.436
UNC5B	0.436
EFNA1	0.430
SEMA3C	0.428
ITGB1	0.421
SRGAP2	0.418
EFNB2	0.414
EPHA4	0.411
PAK6	0.411
SRGAP3	0.408

## ***GAD diseases classification***

Diseases classification as present in the Genetic Association Database (<http://geneticassociationdb.nih.gov/>).

<b>Class</b>	<b>Disease</b>
<b>AGING</b>	
	age
	age of menarche
	age-associated memory impairment
	ageing
	aging
	Alzheimer's Disease and Vascular Dementia
	anticholinergic challenge-induced memory impairment
	bone resorption
	Brain aging
	cerebral aging
	cerebral amyloid angiopathy
	cholesterol, HDL; blood pressure, arterial; stroke; longevity
	clinical parameters and endocrine status in elderly men
	cognitive decline
	cognitive function
	cognitive function in older men
	cognitive impairment
	cognitive performance
	degeneration of intervertebral discs
	disc degeneration, lumbar spine
	disc disease, intervertebral
	diurnal preference
	Dominant Progressive Deafness
	Early cognitive decline
	exceptional longevity
	Exercise-induced changes in insulin
	fat-free mass and sarcopenia
	harm avoidance behaviour in an elderly population.
	life expectancy
	Longevity
	lumbar disc disease
	memory decline
	memory disturbance
	memory impairment
	muscle strength
	muscle testing

## CANCER

obesity
Osteoarthritis
osteoporosis
physical function
protein fraction levels
5' CpG island hypermethylation
acute leukemia
acute myeloid leukemia
adenocarcinoma of the lung
adenocarcinoma of the upper gastrointestinal tract.
adenocarcinomas of the parotid gland
adenomatous polyposis
adenomatous polyposis coli
adult brain tumors
adult T-cell leukemia
advanced colorectal cancer
advanced prostate cancer
aerodigestive tract cancers
aflatoxin-related hepatocarcinogenesis
alpha-fetoprotein
alpha-particle carcinogenesis
anaplastic astrocytoma; glioblastoma multiforme
angiomyolipomas, renal
Barrett esophagus esophageal cancer
betel-quid chewing
bladder cancer
bladder cancer, urinary
bladder cancer; prostate cancer
blast crisis of chronic myeloid leukaemia
blastic crisis
bone cancer; soft tissue sarcoma
brain cancer
brain tumor
brain tumors
breast and lung cancer
breast cancer
breast cancer breast cancer, male colorectal cancer ovarian cancer prostate cancer
breast cancer by the age of 50 years
breast cancer cervical cancer colorectal cancer esophageal cancer lung cancer stomach cancer
breast cancer colorectal cancer stomach cancer
breast cancer development
breast cancer endometriosis uterine fibroids
breast cancer melanoma
breast cancer ovarian cancer

breast cancer recurrence
breast cancer risk
breast cancer risk and prenatal viability
breast cancer survival
breast cancer, male
breast cancer; colorectal cancer; esophageal cancer; stomach cancer
breast cancer; endometrial cancer
breast cancer; insulin-like growth factor
breast cancer; ovarian cancer
breast cancer; tamoxifen, prophylactic effect of
breast carcinoma
cancer
cancer lung cancer
Cancer progression and tumor cell motility
cancer susceptibility
cancer tissues
cancer.
cancer; lung cancer
cardia cancer stomach cancer
Cell Cancer
cervical cancer
cervical cancer endometrial cancer ovarian cancer
cervical cancer ovarian cancer
chemotherapy-induced leukemia
childhood brain tumor
Childhood Leukemia
cholangiocarcinoma
cholangiocarcinoma homocysteine
chronic atrophic gastritis and gastric carcinoma
cirrhosis, alcoholic; liver cancer
clinicopathological characteristics of hepatocellular carcinoma
clonal evolution of chronic myeloid leukemia
clonal homozygosity of rectal cell carcinoma
colon adenomas/carcinomas
colon cancer
colon polyps
colorectal adenocarcinomas
colorectal adenomas
colorectal cancer
colorectal cancer hyperplastic polyposis
colorectal cancer stomach cancer
colorectal cancer, nonpolyposis
colorectal cancer.
colorectal cancer; colon polyps
colorectal cancer; drug hypersensitivity
colorectal cancer; endometrial cancer
colorectal cancers

colorectal carcinomas

colorectal neoplasia.

colorectal polyps (adenoma or hyperplastic)

conventional renal cell carcinoma

C-peptide insulin-like growth factor sex hormones

cryptorchidism infertility, male testicular cancer

cutaneous malignant melanoma

cutaneous malignant melanoma.

cutaneous melanoma which is largely independent of skin type and hair color

CYP1A1 genetic polymorphisms

CYP1A1 polymorphisms

decreased lung cancer risk

decreased risk for breast cancer by age 50

developing lung cancer

diet lifestyle and risk of colon cancer

diffuse gastric cancer

diffuse large B-cell lymphoma

early-onset prostate cancer

early-stage breast cancers

endometrial cancer

endometrial cancer risk.

endometrial carcinoma

endometrioid and clear cell ovarian cancer

esophageal cancer

esophageal cancer and gastric cardiac carcinoma

esophageal cancer gastric cardiac adenocarcinoma

esophageal cancer gastric cardiac cancer

esophageal cancer noncardia gastric carcinoma stomach cancer

esophageal cancer stomach cancer

esophageal cancer; cardiac cancer

esophageal cancer; gastric cardia cancer

esophageal cancer; gastric cardiac cancer

esophageal cancer; stomach cancer

esophageal carcinoma

esophageal squamous cell carcinoma

estrogen receptor status

extra-adrenal and/or malignant pheochromocytomas

familial adenomatous polyposis.

familial melanoma

familial or sporadic prostate cancer.

fibromatosis, aggressive

fibrosis, subcutaneous

folate pool

follicular lymphoma

follicular lymphoma to diffuse large-cell lymphoma

gangliogliomas

gastric adenocarcinoma

gastric cancer
gastric carcinoma
gastric carcinoma risk
gastric cardia adenocarcinoma
gastritis, chronic atrophic; stomach cancer
gastroesophageal cancer
gene polymorphism coding for increased IL-10 production
genetic polymorphism
germline BRCA1 mutation
glioblastoma multiforme
H. pylori infection stomach cancer
H. pylori infection; stomach cancer
Haematological Neoplasias
head and neck cancer
head and neck cancer lung cancer
head and neck cancer mutagen sensitivity
hepatitis B liver cancer
hepatitis B; cirrhosis; liver cancer
hepatitis C; liver cancer
hepatocellular carcinoma
hepatocellular carcinomas
hereditary and sporadic prostate cancer risk.
hereditary and sporadic prostate cancer susceptibility.
hereditary non-polyposis colon cancer.
HIF-1alpha protein expression
high exposure to aflatoxin B1.
high-grade soft tissue sarcoma
Hodgkin's disease
Hodgkin's disease leukemia, myeloid multiple myeloma myelodysplastic syndrome
H-ras allele loss
human long-term memory
hypopharyngeal cancer laryngeal cancer
increased aggressiveness
increased chromosome aberrations and higher lung cancer risk
increased development of adult T-cell leukemia/lymphoma
increased incidence of invasive breast cancer
increased lung cancer risk
increasing risk and a poor prognosis of renal cell carcinoma
kidney angiomyolipomas
kidney cancer
kidney cancer; bladder cancer
laryngeal cancer
laryngeal squamous cell carcinoma
leiomyoma
leukemia
leukemia, acute lymphoblastic

leukemia, acute myeloid
leukemia, chronic lymphocytic
leukemia, chronic myelogenous
leukemia, lymphoid
leukemia, myeloid
leukemia/lymphoma, T-Cell
leukemia; leukemia, myelodysplastic (TRLIMDS)
leukemia; Noonan syndrome
liver cancer
liver cancer; liver disease
lung adenocarcinoma
lung cancer
lung cancer and preneoplastic bronchial lesions
lung cancer risk
lung cancer smoking behavior
lung cancer susceptibility and prognosis
lung cancer, non-small cell
lung cancer; breast cancer
lung cancer; breast cancer; bladder cancer; cervical cancer
lung cancer; breast cancer; liver cancer; oral cancer; thyroid cancer; cervical cancer
lung cancer; colorectal cancer; esophageal cancer; head and neck cancer
lung cancer; esophageal cancer
lung cancer; esophageal cancer; stomach cancer; bladder cancer
lung cancer; Lambert-Eaton myasthenic syndrome
lung carcinoma
Lung carcinomas
lung squamous cell carcinoma
lymph node involvement and other histopathological indicators of high metastatic potential
lymphocytic leukemia
lymphoma
lymphoma, cutaneous T-cell
lymphoma, non-Hodgkin
lymphovascular tumor invasion stomach cancer
macroglobulinemia
male breast cancer
malignancy
malignant melanoma
mamographic density
melanoma
melanoma skin cancer
melanoma, cutaneous
meningioma
metastases
metastatic breast cancer
metastatic colorectal cancer

Metastatic Melanoma
metastatic progression and poor survival
microsatellite instability
MPO -463 A allele
mucosa-associated lymphoid tissue lymphoma
multiple endocrine neoplasia
multiple endocrine neoplasia type 2A
Multiple familial trichoepithelioma and familial cylindromatosis
multiple myeloma
multiple oesophageal dysplasia
myeloblastic leukemias
myeloma, multiple
nasopharyngeal cancer
nasopharyngeal carcinoma
neuroblastoma
neurofibromatosis 1
Neurofibromatosis type 2
neurofibromatosis2
nevroid basal cell carcinoma syndrome associated
noncardia gastric cancer
Non-Hodgkin's B cell lymphoma
non-Hodgkin's lymphoma
non-papillary renal cell carcinomas
non-small cell lung cancer
oesophageal squamous cell carcinoma
oligodendrogliomas
oral cancer
oral cancer oral submucous fibrosis
oral cancer; oral submucous fibrosis
oral clefting
oral squamous cell cancer
orolaryngeal cancer
orolaryngeal carcinoma
osteosarcoma
ovarian cancer
ovarian cancer; thyroid cancer; pheochromocytoma
ovarian carcinoma
pancreatic adenocarcinoma
pancreatic cancer
pancreatic cancer; pancreatitis, chronic
pancreatic carcinoma
pancreatitis; pancreatic cancer
paragangliomas
paragangliomas, head and neck
paragangliomas, head and neck; pheochromocytomas
parathyroid cancer
peptic ulcer stomach cancer



pheochromocytoma
pituitary cancer
predisposition to cancer
prenatal viability
progression of a prostate carcinoma
prostate cancer
prostate cancer prostate specific antigen
prostate carcinoma
prostate enlargement
prostatic hyperplasia
prostatic hyperplasia; prostate cancer
protein loss
proximal chromosome 9p to q and distal chromosome 9q
PSA mRNA expression
radiation, ionizing, sensitivity to
radiation-induced damage to normal tissues
reduced lung cancer risk and a modulating effect on nucleotide excision repair capacity
reduced risk of lung cancer
renal cancer
renal cell carcinoma
retinoblastoma
rhabdoid tumors
schistosomiasis
sensitivity to TZT-1027
skin cancer, nonmelanoma
skin cancer, non-melanoma
skin cancer; squamous cell carcinoma; carcinoma, basal cell
skin carcinomas
smoking
soft tissue sarcoma
squamous cell carcinoma
squamous cell carcinoma of the head and neck
stomach cancer
stomach cancer vascular endothelial growth factor levels
stomach cancer; gastric ulcer; gastritis; duodenal ulcer
stomach cancer; gastritis
stomach cancer; ovarian cancer
stomach cancer; stomach atrophy
testicular cancer
thyroid cancer
thyroid cancer; Hirschsprung's disease
thyroid cancer; thyroid carcinoma, sporadic medullary
thyroid carcinoma
transcriptional inactivation of the FHIT gene
transitional cell carcinoma of the bladder.
tuberculosis; esophageal cancer

## CARDIOVASCULAR

tumor progression
tumor progression of BCR/ABL negative chronic myeloproliferative disorders
tumor proliferation and other prognostic indicators
tumour grade
tumour kinetics and chromosomal instability
tumour progression
upper aerodigestive tract cancer
urinary bladder cancer
urothelial cancer
uterine endometrial carcinoma
von Hippel-Lindau syndrome (VHL).
von Hippel-Lindau tumour
von Hippel-Lindau type 2A
vulvar cancer
vulvar carcinogenesis
Wilm's tumor
wilms' tumor and congenital male genitourinary malformation
Wilms tumors
Abdominal adiposity and Hypertension
abdominal aortic aneurysm
abdominal aortic aneurysm homocysteine hypertension
acute coronary syndrome
acute coronary syndrome diabetes, type 2 hypertension
acute myocardial infarction
age at first coronary bypass operation
aging
amyloid cardiomyopathy
aneurysm, abdominal aortic
aneurysm, intracranial
aneurysmal subarachnoid hemorrhage
angina
angina, unstable
angina, vasospastic
angina, vasospastic atherosclerosis, coronary
angioedema
angiotensin-converting enzyme genotype
aortic dissection
aortic dissection atherosclerosis, coronary stroke
aortic stenosis
aortic stiffness and disease severity
aortoarteritis
arrhythmia, cardiac
arterial disease
arterial stiffness
arterial wall changes

arterial wall thickness
arteriovenous dysplasias brain hemorrhage
arteriovenous fistulas
atherosclerosis
atherosclerosis diabetes, type 2 inflammation zinc
atherosclerosis, carotid
atherosclerosis, carotid coronary artery calcium, intimal medial thickness
atherosclerosis, carotid intima media thickness
atherosclerosis, carotid kidney failure, chronic
atherosclerosis, carotid myocardial infarct
atherosclerosis, coronary
atherosclerosis, coronary body mass cholesterol, HDL cholesterol, LDL cholesterol, VLDL
atherosclerosis, coronary carotid artery damage
atherosclerosis, coronary cholesterol
atherosclerosis, coronary cholesterol, HDL
atherosclerosis, coronary cholesterol, HDL triglycerides
atherosclerosis, coronary C-reactive protein myocardial infarct
atherosclerosis, coronary endothelial function hypercholesterolemia lipids
atherosclerosis, coronary lipids lipoprotein
atherosclerosis, coronary lipoprotein
atherosclerosis, coronary lipoprotein triglycerides
atherosclerosis, coronary myocardial infarct
atherosclerosis, coronary unstable coronary syndrome
atherosclerosis, coronary; acute coronary syndrome
atherosclerosis, coronary; diabetes, type 1; nephropathy in other diseases
atherosclerosis, coronary; diabetes, type 2
atherosclerosis, coronary; diabetes, type 2; C-reactive protein
atherosclerosis, coronary; diabetes, type 2; lipoprotein
atherosclerosis, coronary; hematology indices
atherosclerosis, coronary; homocysteine
atherosclerosis, coronary; hypertension
atherosclerosis, coronary; lipid metabolism disorders
atherosclerosis, coronary; lipids; longevity; apoB levels
atherosclerosis, coronary; lipoprotein
atherosclerosis, coronary; lipoprotein; lipids
atherosclerosis, coronary; metabolic syndrome
atherosclerosis, coronary; metabolism disorders
atherosclerosis, coronary; myocardial dysfunction, non-ischaemic
atherosclerosis, diabetic
atherosclerosis, generalized
atherosclerosis, generalized body fat
atherosclerosis, generalized cardiovascular disease cerebrovascular disease myocardial infarct stroke, ischemic
atherosclerosis, generalized cholesterol, HDL triglycerides
atherosclerosis, generalized C-reactive protein
atherosclerosis, generalized myocardial infarct

atherosclerosis, generalized; vascular disease
atherosclerosis; angina
atherosclerosis; coronary vascular endothelial dysfunction
Atherothrombosis
atherothrombotic disease
atrial fibrillation
bilateral iliac vein thrombosis
blood flow
blood pressure
blood pressure phenotypes.
blood pressure, arterial
blood pressure, arterial body mass cholesterol, HDL metabolic syndrome
blood pressure, arterial body mass glucose insulin lipids
blood pressure, arterial body mass glucose tolerance lipids
blood pressure, arterial body mass kidney disease metabolic syndrome myocardial infarct obesity triglycerides
blood pressure, arterial cholesterol
blood pressure, arterial cholesterol insulin resistance metabolic syndrome
blood pressure, arterial diabetes, type 2 glucose insulin
blood pressure, arterial diabetes, type 2 insulin
blood pressure, arterial electrolyte levels
blood pressure, arterial hypertension
blood pressure, arterial hypertriglyceridemia
blood pressure, arterial intima-media thickness
blood pressure, arterial kidney function
blood pressure, arterial obesity
blood pressure, arterial urinary sodium
blood pressure, arterial; arterial wall changes
blood pressure, arterial; atherosclerosis
blood pressure, arterial; carotid atherosclerosis
blood pressure, arterial; cystic fibrosis
blood pressure, arterial; renin activity; aldosterone
blood pressure; hyperlipidemia, familial combined
body mass
body mass cardiovascular risk factors lipoprotein
body mass coronary artery bypass graft
body mass; left ventricular function; blood pressure; left ventricular structure
brain aneurysm
brain function
brain hemorrhage
brain hemorrhage cerebral infarct, atherothrombotic stroke, lacunar
brain hemorrhage; stroke, ischemic
brain hemorrhage; stroke; stroke, lacunar
brain infarction
Brugada syndrome
Budd-Chiari syndrome hematology indices polycythemia vera
Budd-Chiari syndrome liver transplant portal vein thrombosis

calcific aortic valve stenosis
calcium cardiac death heart disease, ischemic myocardial infarct phosphate
cardiac and cutaneous amyloidosis
cardiac arrhythmias and sudden death
cardiac conduction disturbances and degenerative changes
cardiac death
cardiac death cardiovascular disease oxidative stress
cardiac death myocardial infarct
cardiac death QT interval
cardiac death; cardiac morbidity
cardiac function
cardiac growth
cardiac repolarization
cardiac sarcoidosis
cardiomyopathy
cardiomyopathy hypertension left ventricular hypertrophy
cardiomyopathy, idiopathic dilated
cardiomyopathy, nonfamilial hypertrophic
cardiomyopathy; heart failure
cardiomyopathy; MELAS syndrome
cardiopulmonary disease
cardiorespiratory fitness cholesterol, HDL
cardiotoxicity, anthracycline-induced
cardiovascular
cardiovascular abnormalities
cardiovascular complications diabetes, type 2 hypertension obesity polycystic ovarian syndrome
cardiovascular death
cardiovascular disease
cardiovascular disease cholesterol cholesterol, HDL cholesterol, VLDL hyperlipidemia intima-media thickness lipoprotein triglycerides
cardiovascular disease cholesterol, LDL diabetes, type 2 triglycerides
cardiovascular disease; bilirubin
cardiovascular disease; carotid artery damage
cardiovascular disease; cerebrovascular disease
cardiovascular disease; diabetes, type 1; proteinuria
cardiovascular disease; kidney failure, chronic
cardiovascular disease; stroke; stroke, ischemic
cardiovascular events in non-smokers
cardiovascular mortality
cardiovascular response to metoprolol
cardiovascular risk
cardiovascular risk factors
carotid and femoral artery stiffness
carotid arterial wall thickness
carotid artery atherosclerosis
carotid artery damage

carotid artery distensibility
carotid artery intima-media thickness
carotid artery stenosis
carotid atherosclerosis
carotid intimal-medial thickening
carotid intima-media thickness
carotid wall thickening
cerebral amyloid angiopathy
cerebral amyloid angiopathy-related hemorrhage.
cerebral arteriopathy
cerebral atherosclerosis
cerebral circulation
Cerebral Circulation in Smokers
cerebral hemorrhage
cerebral infarct
cerebral infarct, atherosclerotic cholesterol, HDL intima media thickness triglycerides
cerebral infarct, atherothrombotic
cerebral infarct; stroke, lacunar
cerebral infarction
cerebral ischemia
cerebral venous thrombosis
cerebrovascular disease
cerebrovascular disease, ischemic
cerebrovascular disease, ischemic; fibrinogen
cervical artery dissection, spontaneous
cholesterol cholesterol, HDL cholesterol, LDL fatty acid glucose insulin lipoprotein triacylglycerols
cholesterol cholesterol, HDL cholesterol, LDL lipoprotein triglycerides
cholesterol lipoprotein retinyl palmitate triglycerides
cholesterol triglycerides
cholesterol, HDL
cholesterol, HDL triglycerides
cholesterol, HDL; triglycerides; coronary artery disease; cerebral infarction
Cigarette Smoking. Coronary Artery Disease. and Diabetes
congenital cardiac malformations
congestive heart failure
coronary artery calcification
coronary artery calcium
coronary artery disease
coronary artery disease and myocardial infarction
coronary artery disease, occlusive
coronary artery disease; aortic stiffness
coronary artery disease; coronary atherosclerosis
coronary artery disease; P-selectin
coronary artery disease; stroke
coronary artery disease; sudden cardiac death

coronary artery ectasia
coronary artery luminal dimensions
coronary artery plaque calcification
coronary artery spasm
coronary artery stenosis
coronary artery vasoconstriction.
coronary atherosclerosis
coronary atherosclerosis.
coronary atherosclerotic heart disease in Chinese
coronary calcification
coronary endothelial vasodilator function
coronary events
Coronary Heart Disease
coronary heart disease among Japanese.
coronary heart disease and serum very low density lipopro
coronary heart disease in non-insulin-dependent diabetic
coronary heart disease in younger individuals.
coronary heart disease, transplant associated
coronary heart disease.
coronary heart disease; hypertension; myocardial infarction
coronary heart disease; myocardial infarction
coronary heart disease; myocardial infarction; stroke; cerebrovascular disease
coronary in-stent restenosis.
coronary spasm.
coronary spastic angina.
coronary vasculopathy
coronary vasomotor function
CP infection.
C-reactive protein
C-reactive protein myocardial infarct
decreased blood pressure and plasma triglycerides
deep venous thrombosis
dementia
development of coronary artery lesions
diabetes, type 2 dyslipidemia heart disease, ischemic
diabetes, type 2 hypertension lipoprotein
diabetes, type 2; hypertension
diabetes, type 2; hypertension; atherosclerosis; cerebrovascular disease; dyslipemia
diastolic blood pressure
dilated cardiomyopathy
early onset ischemic heart disease.
early-onset aggressive diffuse amyloidosis
EKG, abnormal
emphysema
endothelial dysfunction hypertension
endothelial dysfunction in normal humans.

endothelial function
endothelial function von Willebrand factor
endothelium-dependent arterial dilation
epinephrine lung function norepinephrine
Essential Hypertension
expired myocardial infarction
familial combined hyperlipidemia
familial hypertension of early onset.
familial hypertrophic cardiomyopathy.
familial premature myocardial infarction.
ferritin
fetal loss, late
fibrinogen myocardial infarct
flow-mediated dilatation of the brachial artery
gastric cancer
giant cell arteritis
giant cell arteritis.
giant cell arteritis; polymyalgia rheumatica
grade II hypertension
heart anomalies, congenital
heart disease risk factors hypertension leptin obesity
heart disease, ischemic
heart disease, ischemic stroke, ischemic
heart disease, ischemic; atherosclerosis, coronary; hyperlipidemia
heart disease, ischemic; cerebrovascular disease, ischemic
heart disease, ischemic; insulin
heart disease, ischemic; peripheral vascular disease
heart failure
heart period signal
heart rate
heart rate variability
heart rate, resting
heart rate; arrhythmia, cardiac
heart rate; risperidone metabolism
heart transplant
heart transplant complications
Heart-Hand Syndrome, Holt-Oram Syndrome
hemorrhage, intracerebral
hemorrhagic and ischemic stroke
high coronary heart disease risk particularly affects ser
high density lipoprotein cholesterol level
hypercholesterolemia coronary artery disease
hypercholesterolemia peripheral vascular disease
hyperhomocysteinemia and cardiovascular disease
hypertension
hypertension and left ventricular mass
hypertension and obesity



hypertension NADPH oxidase activity
hypertension vascular aging
hypertension, cirrhotic portal
hypertension, pregnancy induced
hypertension, pregnancy induced preeclampsia
hypertension, pulmonary arterial
hypertension, response to exercise
hypertension; autonomic nervous system dysfunction
hypertension; blood pressure
hypertension; blood pressure, arterial
hypertension; cardiovascular disease
hypertension; cerebral infarction
hypertension; cirrhosis
hypertension; exercise
hypertension; glucose
hypertension; insulin; metabolic syndrome; hypertriglyceridemia
hypertension; insulin; obesity
hypertension; left ventricular hypertrophy
hypertension; left ventricular structure
hypertension; myocardial infarction
hypertension; preeclampsia
hypertension; renal disease, end stage
hypertension; renal sodium handling
hypertension; stroke
hypertension; stroke, ischemic
hypertension; stroke, lacunar; atherothrombotic brain infarction
hypertrophic cardiomyopathy
hypertrophic cardiomyopathy and cytochrome c oxidase deficiency
idiopathic deep venous thrombosis
idiopathic pulmonary fibrosis
increased cardiopulmonary morbidity
increased vascular reactivity
inherited cardiac arrhythmia long QT syndrome
intima media thickness
intima-media thickness
intima-media thickness myocardial infarct
intima-media thickness, carotid
intima-media thickness; flow-mediated dilation of the brachial artery
intracranial aneurysms
intracranial hemorrhage; white matter disease
ischemia
kawasaki disease
left ventricular dysfunction
left ventricular hypertrophy
left ventricular hypertrophy; blood pressure, arterial
left ventricular mass
left ventricular mass ventricular remodeling

left ventricular structure
lipids; myocardial infarction
lipoprotein triglycerides
long QT syndrome
longevity
long-QT syndrome
matrix metalloproteinase-3 concentration myocardial infarct
metabolic syndrome
microangiopathy, thrombotic
microvascular function
mitral valve prolapse
mitral valve prolapse.
myocardial infarct
myocardial infarct stroke, ischemic
myocardial infarct, mortality in
myocardial infarct; atherosclerosis
myocardial infarct; atherosclerosis, coronary
myocardial infarct; atherosclerosis, coronary; C-reactive protein
myocardial infarct; cardiac death
myocardial infarct; cardiovascular disease
myocardial infarct; carotid intima-media thickness
myocardial infarct; cerebrovascular infarct
myocardial infarct; diabetes, type 2
myocardial infarct; heart disease, ischemic
myocardial infarct; heart disease, ischemic; atherosclerosis, coronary
myocardial infarct; heart failure
myocardial infarct; kidney disease
myocardial infarct; lipoprotein; cerebral infarct
myocardial infarct; stroke, atherothrombotic
myocardial infarct; stroke; angina; peripheral vascular disease
myocardial infarct; thrombosis, deep vein
myocardial infarct; triglycerides
myocardial infarction
myocardial infarction and stroke
myocardial infarction; angina
myocardial infarction; stable angina of effort
myocardial infarction; stroke
myocardial infarction; sudden cardiac death
myocardial injury
myocardial ischemia
neuropathy
nonfamilial idiopathic dilated cardiomyopathy
nonfatal acute myocardial infarction
nonfatal myocardial infarction.
non-ST-elevation acute coronary syndromes
obesity
oxidized low-density lipoprotein and cardiolipin autoantibodies

paraoxinase 1 activity
peripheral arterial disease
peripheral demyelinating neuropathies
peripheral vascular disease
premature coronary artery disease
premature coronary artery disease and familial hypoalphalipoproteinemia
premature coronary artery disease.
premature coronary heart disease.
premature myocardial infarction in men.
Progressive AV-block and anomalous venous return
pronounced septal hypertrophy
proteinuria and cardiovascular disease
psychiatric manifestations of velo-cardio-facial syndrome
pulmonary arterial hypertension sclerosis, systemic
pulmonary fibrosis
pulmonary fibrosis sarcoidosis
pulmonary fibrosis; Pigeon breeders disease
pulmonary function
pulmonary function; nitric oxide; Pseudomonas aeruginosa infection
pulmonary hypertension
pulmonary hypertension; thrombosis, deep vein; pulmonary thromboembolism
pulmonary thromboembolism thromboembolism, venous
QT interval
radial artery hypertrophy
recurrent coronary event
reduced risk of restenosis after coronary stenting
respiratory-distress syndrome
restenosis
sclerosis, systemic
severe childhood thrombosis
SIDS/sudden infant death syndrome
sleep apnea
smoking
Spinal cord infarction and recurrent venous thrombosis
stroke
stroke, hemorrhagic stroke, ischemic
stroke, ischemic
stroke, ischemic; cerebrovascular disease; thrombosis, arterial
stroke, ischemic; fibrinogen
stroke, ischemic; stroke, hemorrhagic
stroke, lacunar
stroke, myocardial infarction
stroke; atherosclerosis
stroke; dementia
stroke; fibrinogen
subarachnoid hemorrhage
subclinical carotid atherosclerosis

## CHEMDEPENDENCY

Takayasu arteritis
Takayasu's arteritis
thromboembolism
thromboembolism, venous
thromboembolism, venous; homocysteine; thromboembolism, arterial
thromboembolism, venous; protein C
thrombosis
thrombosis, deep vein
thrombosis, deep vein; Behcet's disease
thrombosis, venous
thrombosis; antiphospholipid syndrome
thoracic aortic aneurysm thoracic aortic dissection
transplant associated vasculopathy after cardiac transplantation
Type II diabetes and hypertension
unknown
varicose ulcers
vascular disease
vascular endothelial growth factor
vascular function; vascular morphology
vascular NAD(P)H oxidase activity
vasculitis, antineutrophil cytoplasmic; antibodies-associated small vessel
vasoconstriction, coronary
vasodilation during pregnancy
vasodilation, flow-mediated
vasopressor infusion requirement
venous thromboembolism
venous thrombosis
ventricular arrhythmia, malignant
X-linked dilated cardiomyopathy
addiction to heroin
Alagille syndrome
alcohol abuse
alcohol abuse cirrhosis, alcoholic pancreatitis, chronic
alcohol abuse drug dependence
alcohol abuse substance abuse
alcohol abuse; blood pressure, arterial
alcohol abuse; impulse control disorder
alcohol abuse; neuroticism
alcohol abuse; nicotine dependence
alcohol abuse; smoking behavior
alcohol craving
alcohol dependence
alcohol dependence drug dependence
alcohol dependence; cocaine dependence
alcohol dependence; drug dependence

alcohol dependency
alcohol effects
alcohol intake
alcohol use
alcohol withdrawal
alcohol withdrawal alcoholism
alcohol withdrawal seizure and delirium tremens
alcohol-dependence
alcoholic liver disease
alcoholism
alcoholism personality disorders
alcoholism; alcohol withdrawal
alcoholism; delirium tremens, alcohol-induced
alcoholism; pancreatitis; pancreatitis, alcoholic
alcoholism; renal disease, end stage
alcoholism-related traits
alcohol-related phenotypes nicotine
alcohol-withdrawal delirium
atriventricular block long QT syndrome
caffeine consumption
cirrhosis, alcoholic
cocaine dependence
cocaine dependence or abuse
cocaine dependence.
cocaine dependence/abuse
delirium tremens, alcohol-induced; alcohol withdrawal
dopamine release
drug abuse
heroin abuse
heroin addiction
heroin dependence
IgE
methamphetamine abuse
methamphetamine abuse psychoses
methamphetamine abuse schizophrenia
methamphetamine abuse; psychoses
methamphetamine abuse; substance abuse
methamphetamine dependence substance abuse
naltrexone response in alcohol-dependent patients
nicotine
nicotine dependence
nicotine dependence smoking behavior
nicotine smoking behavior
nicotine; personality trait
opiate dependence
paranoia
problem drug use

## DEVELOPMENTAL

severity of alcohol dependence
smoking behavior
smoking behavior; nicotine dependence
smoking cessation
smoking cues
substance abuse
substance dependence
abnormal urogenital development
achondroplasia
achromatopsia
age of menarche
agenesis of the corpus callosum
Axial skeletal defects
Beckwith Wiedemann syndrome
bone size
cleft lip
cleft lip and palate
cleft lip with cleft palate
cleft lip with cleft palate cleft lip without cleft palate
cleft lip with cleft palate cleft lip without cleft palate cleft palate
cleft lip with cleft palate; cleft lip without cleft palate
cleft lip with cleft palate; cleft lip without cleft palate; cleft palate
cleft lip with or without cleft palate
cleft lip with or without cleft palate; cleft palate, isolated
club foot
Coffin-Lowry syndrome.
congenital adrenal hyperplasia
congenital adrenal hyperplasia (CAH)
congenital anomalies
congenital anomalies; renal disease
congenital bilateral absence of the vas deferens
congenital central hypoventilation syndrome
congenital contractural arachnodactyly
cryptochidism
cryptorchidism
cryptorchidism.
Down syndrome
Familial spondyloepiphyseal dysplasia tarda, brachydactyly, and precocious osteoarthritis
fetal growth
fragile X syndrome
fragile X-associated tremor/ataxia syndrome
haptoglobin development
height
Hurler syndrome
hypodontia

hypospadias
hypothyroidism; cleft palate, isolated; thyroid agenesis
isolated penile hypospadias
Left-right axis malformations
limb deficiency anomalies
Marfan phenotype
Marfan syndrome
mental disorder
mental retardation
micropenis
multiple epiphyseal dysplasia
muscular dystrophy
neural tube defects
neural tube defects and preeclampsia
non-syndromic cleft lip and palate
Noonan syndrome
omphalocele
Peutz-Jeghers syndrome
Peutz-Jegher's syndrome
postnatal growth
precocious puberty
salt-wasting congenital adrenal hyperplasia
small for gestational age
small-for-gestational-age
Swyer syndrome
talipes equinovarus
WAGR syndrome
agranulocytosis
albuminuria
albuminuria; fibrinogen
anemia, aplastic
anemia, iron deficiency
anemia, malaria related; malaria, cerebral
anemia; thrombocytopenic purpura, idiopathic
aplastic anaemia
aplastic anemia, acquired
Bernard-Soulier Syndrome
bilirubin
bleeding tendency
blood and blood forming organ disorders
C2-deficiency gene
C4gene deletion
chronic hemolytic anemia
chronic non-spherocytic haemolytic anaemia.
coagulation disorder

## HEMATOLOGICAL

coagulopathy
factor V Leiden
factor VII
factor VII levels
factor VIII and factor IX genes
factor XII-deficient patients
fibrinogen
haptoglobin
hematology indices
hematopoietic progenitor cells, mobilization of
hematopoietic stem cell transplantation
hemophilia
Increased platelet aggregability
Langerhans cell histiocytosis
malaria
neonatal thrombocytopenia
over anticoagulation
P1 blood group
placental vascular complications
platelet aggregation; nitric oxide activity
porphyria cutanea tarda
sickle cell anemia
thalassemia
Thrombin activatable fibrinolysis inhibitor
thrombin-activatable fibrinolysis inhibitor levels
thrombocythemia
thrombocytopenia
thrombocytopenic purpura, immune
thrombophilia
Vitamin D deficiency rickets
acute anterior uveitis
acute graft-versus-host disease
acute renal allograft rejection
acute respiratory distress syndrome IL* production
Addison's disease
Addison's disease diabetes, type 1 Graves' disease rheumatoid arthritis
Addison's disease Graves' disease
Addison's disease Graves' disease lupus erythematosus polyangitis Wegener's granulomatosis
Addison's disease; Graves' disease
allele frequency/ normal
Allergic asthma
allergic bronchopulmonary aspergillosis ABPA
allergic disease
allergic diseases

## IMMUNE



Allergic diseases (bronchial asthma. atopic dermatitis and/or food-related anaphylaxis)
allergic rhinitis
allergic rhinitis asthma
allergic rhinitis dermatitis and eczema fatty acid
allergies
allergies; common cold
allergy
allergy asthma
allergy dermatitis and eczema
allergy, latex; latex allergy
allograft dysfunction, renal
allograft outcome
alopecia areata
alzheimer`s Disease
ANCA positive patients
ankylosing spondylitis
ankylosing spondylitis independent of HLA-B27
anti-cyclic citrullinated peptide antibodies rheumatoid arthritis
anti-GAD65 antibody
antineutrophil cytoplasmic antibody; (ANCA)-associated vasculitis
antiphospholipid syndrome
antiphospholipid syndrome thrombosis
anti-Ro 52-kd autoantibodies
arthritis
arthritis lupus erythematosus
arthritis lymphopenia nephritis, lupus
arthritis, juvenile
arthritis, psoriatic
arthritis, rheumatoid
arthritis; Familial Mediterranean Fever
Aspirin-induced asthma
asthma
asthma (childhood)
asthma and atopy
asthma and IgE in childhood
asthma asthma, aspirin-intolerant
asthma atopy
asthma atopy IgE
asthma bronchodilator response IgE lung function
asthma dermatitis and eczema
asthma eczema
asthma IgE
asthma IgE levels
asthma IgE wheezing
Asthma in men
asthma respiratory syncytial virus

asthma rheumatoid arthritis
Asthma severity
Asthma smokers
asthma, aspirin-induced
asthma, aspirin-intolerant
asthma, dust mite-sensitive
asthma.
Asthma. asthma severity
Asthma. atopy
Asthma. atopy. atopic dermatitis
Asthma. atopy. spIgE.
Asthma. BHR. Total IgE. SPT
asthma. FEV(1)
Asthma. FEV1
Asthma. rhinitis
asthma; allergic disease
asthma; allergic disease, IgE mediated
asthma; allergic rhinitis
asthma; allergic rhinitis; atopic dermatitis
asthma; allergies
asthma; allergy
asthma; aspirin intolerance
asthma; atopic dermatitis
asthma; atopy
asthma; atopy; dermatitis and eczema
asthma; chronic obstructive pulmonary disease/COPD
asthma; dermatitis and eczema
asthma; dermatitis and eczema; anaphylaxis, food-related
asthma; dermatitis and eczema; rhinitis
asthma; IgE
asthma; respiratory syncytial virus; juvenile arthritis
asthma; urticaria
atherosclerosis, coronary
Atopic asthma
atopic dermatitis
atopic dermatitis.
Atopic dermatitis. atopy
atopic eczema
Atopy
Atopy (IgE)
Atopy (total & specific IgE)
atopy IgE urticaria, aspirin-intolerant
atopy. asthma. Netherton
atopy; IgE levels
atopy-susceptibility
Autoimmune Hepatitis
Autoimmune hepatitis type 1

autoimmune hypothyroidism
autoimmune inflammatory disease
autoimmune myasthenia gravis
autoimmune pancreatitis
autoimmune polyglandular syndrome
autoimmune response
autoimmune thyroid disease
autoimmune thyroid disease; thyroid disease, autoimmune
autoimmune thyroiditis Graves' disease Hashimoto's thyroiditis
autologous mixed lymphocyte reaction
Behcet's disease
Behcet's disease thromboembolism, venous
Behcet's disease; vasculitis
beta-cell function; diabetes, type 1
betaCL osteocalcin
BHR
bone marrow transplantation
bronchial asthma
Bronchial asthma (childhood & adult)
Bronchial asthma (childhood only)
bronchial hyperresponsiveness
bronchopulmonary dysplasia respiratory distress syndrome, neonatal
bullous pemphigoid
CD14 expression
celiac
celiac disease
celiac disease lupus erythematosus rheumatoid arthritis
cerebral malaria
childhood atopic asthma
Chinese ankylosing spondylitis patients
cholangitis, sclerosing
cholangitis, sclerosing Crohn's disease inflammatory bowel disease
cholangitis, sclerosing Crohn's disease ulcerative colitis
cholesterol, LDL; cholesterol, total; C-reactive protein; apoA2; apoB
chronic bronchitis
chronic GVHD
chronic immune thrombocytopenic purpura.
chronic obstructive pulmonary disease
chronic obstructive pulmonary disease/COPD
chronic obstructive pulmonary disease/COPD; bronchiectatic disease
chronic obstructive pulmonary disease/COPD; emphysema
chronic pancreatitis
chronic pancreatitis.
chronic periodontitis
chronic periodontitis.
cirrhosis, biliary primary hepatitis, autoimmune
Coeliac

coeliac disease
collagen disease juvenile arthritis rheumatoid arthritis Still's disease
Contact Allergy
contact hypersensitivity
Contact Sensitisation
C-reactive protein
C-reactive protein (CRP) concentration
C-reactive protein glycation inflammation insulin oxidative stress prostaglandin tumor necrosis factor alpha
Crohn's disease
Crohn's disease and IBD
Crohn's disease and ulcerative colitis
Crohn's disease inflammatory bowel disease ulcerative colitis
Crohn's disease rheumatoid arthritis sclerosis, systemic
Crohn's disease ulcerative colitis
Crohn's disease ulcerative colitis,Crohn's disease
Crohn's disease; ulcerative colitis
Crohn's disease; ulcerative colitis; inflammatory bowel disease
Decreased airway responsiveness
dermatitis and eczema
dermatitis herpetiformis.
dermatitis, atopic
dermatomyositis/ polymyositis
diabetes, latent autoimmune
diabetes, type 1
diabetes, type 1 diabetes, type 2 diabetic nephropathy retinopathy, diabetic
diabetes, type 1 diabetic nephropathy
diabetes, type 1 juvenile arthritis
diabetes, type 1 rheumatoid arthritis
diabetes, type 1 thyroid autoimmunity
diabetes, type 1 Vitamin D
diabetes, type 1; Addison's disease
diabetes, type 1; Addison's disease; Graves' disease; thyroiditis, chronic lymphocytic
diabetes, type 1; blood group incompatibility
diabetes, type 1; carotid atherosclerosis
diabetes, type 1; celiac disease
diabetes, type 1; IL-1RI
diabetes, type 1; nephropathy in other diseases
diabetes, type 2
diabetes-associated autoantibodies
DRS
early onset of multiple sclerosis.
early onset periodontitis
early polyarthritis
eczema
emphysema

EO
eosinophilia
familial mediterranean fever
FEV1
Fuchs heterochromic cyclitis
glomerulonephritis, Hepatitis B virus-associated
graft occlusion, atherosclerotic
graft versus host disease
graft-versus-host disease
Grave`s disease
Graves disease
Graves' disease
Graves' disease Hashimoto's thyroiditis
Graves' disease Hashimoto's thyroiditis
Graves' disease IgE
Graves' disease myasthenia gravis
Graves' disease; Hashimoto's thyroiditis
Graves' disease; ophthalmopathy, Graves'
Graves' disease; thyroiditis, chronic lymphocytic
Graves' hyperthyroidism
GVHD
Haemophilia with Chronic synovitis
Hashimoto's thyroiditis
hematology indices
hepatitis type 2, autoimmune
hepatitis, autoimmune
high interleukin-1 beta plasma levels
HIV-1 infection
Host defense and inflammatory outcomes
H-Thyroiditis
hyper-IgE syndrome and severe eczema. atopy
Hyper-IgE syndrome. severe eczema. atopy
hyper-IgM syndrome can form oligomers and trigger CD40-mediated signals
Hyperresponsiveness
hypothyroidism, autoimmune
hypothyroidism, goitrous juvenile autoimmune
idiopathic chronic pancreatitis
IgA deficiency
IgA nephropathy
IgD
IgE
IgE levels
IgE response
IgE response IgG
IgE, cord blood
IgE. SPT
IGF-I

IGF-I levels; IGFBP-3 levels
IL-18 concentration physical functioning
IL18 expression level
IL-18 lupus erythematosus
IL-4
IL-4 production
Increased expression of the G gamma and A gamma globin
Increased IgE
increased interleukin-10 (IL-10) plasma levels
inflammation
inflammatory bowel disease
inflammatory bowel disease/UC
inflammatory myopathies
inflammatory response
inflammatory response in coronary bypass
inflammatory urogenital disease
interferon response
interleukin-1 beta (IL-1 beta) synthesis capacity
irritable bowel syndrome
juvenile arthritis
juvenile idiopathic arthritis
kawasaki disease
kidney transplant
kidney transplant complications
latex allergy
latex-fruit syndrome
lep. Leprosy
leukemia virus type I
Lupus
lupus erythematosus
lupus erythematosus multiple sclerosis
lupus erythematosus periodontitis
lupus erythematosus; nephritis, lupus
lupus erythematosus; nephropathy in other diseases
lupus erythematosus; periodontitis
lupus erythematosus; rheumatoid arthritis
lupus erythematosus; rheumatoid arthritis; cholangitis, sclerosing; celiac disease; juvenile arthrit
lupus erythematosus; rheumatoid arthritis; Sjogren's syndrome
lupus erythematosus; rheumatoid arthritis; Sjogren's syndrome; tuberculosis
lupus erythematosus; sclerosis, systemic
Lupus Nephritis
malaria, cerebral
microscopic polyangiitis
Mite-sensitive asthma
multiple sclerosis
multiple sclerosis rheumatoid arthritis

multiple sclerosis(PPmultiple sclerosis)
myasthenia gravis
myelopathy, HTLV-1 associated
nephritis, lupus; glomerular microthrombus
nephropathy in other diseases
nephropathy, diabetic; diabetes, type 1
nephropathy, IgA
neutrophil immunodeficiency syndrome
nitric oxide, exhaled
Nocturnal asthma
nonatopic asthma and food allergy
Normal volunteers
nut allergy
osteomyelitis
pancreatitis
pancreatitis, acute pancreatitis, chronic
pancreatitis, autoimmune
pancreatitis, autoimmune; pancreatitis, chronic calcifying
pancreatitis, chronic
pancreatitis, tropical calcific
pemphigus
pemphigus foliaceus
pemphigus vulgaris
periodontal disease
periodontitis
periodontitis, early-onset
Physician diagnosed asthma
pneumoconiosis
pollen allergy
pollen-induced allergic rhinitis
polymyositis; dermatomyositis
postoperative systemic inflammatory reaction
Primary Biliary Cirrhosis
Primary Billiary Cirrosis
Primary Sclerosing Cholangitis
psoriasis
psoriasis psoriatic arthritis
psoriasis; dermatitis and eczema
psoriatic arthritis
purpura, allergic
reactive arthritis
Reiter's syndrome
renal disease
retinopathy, diabetic; nephropathy in other diseases
rheumatic diseases
rheumatic fever
rheumatic heart disease

rheumatoid arthritis
rheumatoid arthritis thyroid disease, autoimmune
rheumatoid arthritis; celiac disease
rheumatoid arthritis; Crohn's disease; systemic lupus erythematosus
rheumatoid arthritis; juvenile arthritis
rhinitis
rickets
sarcoidosis
sarcoidosis uveitis
sarcoidosis; tuberculosis
scleroderma
sclerosis, systemic
Seiple rabies vaccine-induced autoimmune encephalomyelitis
Sepsis
Septic Shock
serum IgE levels
severe ulcerative colitis
silicosis
Sjogren's syndrome
Sjogren's syndrome
Sjogren's syndrome; purpura
SLE
spondyloarthropathies
SPT
SPT (cockroach)
SPT (HDM)
staphylococcal infection
Steroid-requiring asthma in sedentary women
Stevens-Johnson syndrome
Still's disease
sulfasalazine, adverse effects of
susceptibility to autoimmune disease
systemic inflammatory hyporesponsiveness
systemic inflammatory response syndrome
systemic juvenile idiopathic arthritis
systemic lupus erythematosus
Systemic Lupus Erythematosus (SLE)
systemic lupus erythematosus; arthritis, rheumatoid
systemic lupus erythematosus; lupus nephritis
Systemic responsiveness to lipopolysaccharide
systemic scleroderma
systemic sclerosis
thimerosal sensitization
thrombosis, deep vein; Behcet's disease
thyroiditis, chronic lymphocytic
thyroid autoimmunity
thyroiditis, chronic lymphocytic



## INFECTION

thyroiditis, Hashimoto's
tIgE
Total IgE
Total IgE. atopic asthma
Total IgE. Eosinophilia. DRS
Total IgE. SPT. FEV1
Total serum IgE
total serum IgE levels
Total serum IgE. atopic dermatitis
Total serum IgE. specific IgE. AR
Tropical calcific pancreatitis
Tumor necrosis factor receptor-associated periodic syndrome
type 1 diabetes
ulcerative colitis
ulcerative colitis and Crohn's disease
ulcerative colitis; cholangitis, sclerosing
ulcerative colitis; inflammatory bowel disease
vitiligo
vitiligo; autoimmune disease
Vogt-Koyanagi-Harada syndrome
Vogt-Koyanagi-Harada's disease
X-linked lymphoproliferative disease
acne
AIDS
alveolar echinococcosis
appendicitis
aspergillosis
bacteremia
bacterial infection
bacterial vaginosis
bronchitis; pneumonia
brucellosis
Candida
cerebral malaria
cervical cancer
cervical dysplasia H. pylori infection
Chagas disease
Chlamydia
Chlamydia pneumoniae infection
chronic active hepatitis C infection.
chronic hepatitis C
cirrhosis hepatitis C, chronic
clinical tuberculosis
Clostridium difficile toxin-induced diarrhea
C-reactive protein Streptococcus pneumoniae

cystic fibrosis; P. aeruginosa infection
cytomegalovirus
cytomegalovirus leukemia
dengue disease
dengue hemorrhagic fever
duodenal ulcer gastritis
echinococcosis
febrile seizures
fibrosis hepatitis C, chronic
gastric atrophy H. pylori infection
graft-versus-host disease
H. pylori infection
HCV infection
Helicobacter pylori cagA subtype infection
Helicobacter pylori infection
Helicobacter pylori infection; gastritis, Helicobacter pylori-induced
hepatitis
hepatitis A vaccination, humoral immune response
hepatitis B
hepatitis B, chronic
hepatitis B, intrauterine
hepatitis C
hepatitis C infection
hepatitis C virus infection
hepatitis C, chronic
hepatitis C; hepatitis B
hepatitis E
hepatitis, fulminant non-A, nonB
herpesvirus, Kaposi sarcoma-associated
HIV
HIV disease
HIV disease progression
HIV infection
HIV; cytomegalovirus retinitis
HIV; pneumocystis carinii pneumonia
HIV; sclerosis, systemic
HIV-1
HIV-1 disease
HTLV-1 associated myelopathy/tropical spastic; paraparesis
HTLV-1 infection
human papillomavirus infection
interstitial cystitis
kidney transplant
Legionnaire's disease
Leishmania chagasi infection
leishmaniasis, cutaneous
leprosy

leprosy tuberculosis
leprosy type
liver disease
lung function
malaria
Malaria infection
malaria, cerebral
malaria, plasmodium falciparum
malaria; hypoglycemia; hyperparasitemia
malaria; schistosomiasis
malarial anemia and cerebral malaria
measles antibody level
meningococcal disease
meningococcal disease.
microscopy-positive tuberculosis
mucocutaneous leishmaniasis
multiorgan failure septic shock mortality
neonatal infection
neonatal sepsis
Nonsurvivors of sepsis (male only)
ocular Chlamydia trachomatis infection
ovalocytosis and malaria susceptibility
pancreatic necrosis pancreatitis, acute
papillomavirus infection
Parasitic infection
parvovirus
parvovirus B19 infection
placental malaria
Plasmodium falciparum reinfections
pneumococcal empyema pneumonia
pneumoconiosis, coal workers'
pneumoconiosis, coal workers' silicosis
pneumonia
Postoperative infectious complications
posttreatment Th2 immune response to S. mansoni Ags
Progression to AIDS
pulmonary tuberculosis
pyelonephritis vesicoureteral reflux
respiratory syncytial virus
respiratory syncytial virus disease
respiratory syncytial virus infection
ricketts
SARS (severe acute respiratory syndrome)
SARS infection
schistosomal worm antigen
sepsis
sepsis; lung injury, acute

## METABOLIC

sepsis; pneumonia; acute respiratory distress syndrome
sepsis; serum tumor necrosis factor-alpha levels
sepsis; systemic inflammatory response syndrome
Septic Shock
severe acute respiratory syndrome
severe malaria
severe RSV bronchiolitis
Severe sepsis
Severe sepsis/nonsurvival
susceptibility or resistance to immunodeficiency virus type 1 infection
susceptibility to tuberculosis
trypanosomiasis
tuberculoid type of leprosy
tuberculosis
tuberculosis disease
tuberculosis meningitis
tuberculosis tumor necrosis factor-alpha
typhoid fever
urinary tract infection
vaginal micro-flora
viral clearance
1-hydroxypyrene, urinary
1-hydroxypyrene glucuronide concentrations
2-Amino-1-methyl-6-phenylimidazo[4,5-b]pyridine
abdominal fat fatty acid glucose tolerance insulin lipids prostaglandin
acid lipase deficiency and cholesterol ester storage disease
adipocyte size, large subcutaneous abdominal
adiponectin
adiponectin glucose insulin lipids
adiponectin hypertension plasminogen activator inhibitor-1
adiponectin insulin
adipose tissue lipoprotein lipase activity and lipoprotein lipid and glucose concentrations
Adiposity and Abdominal Obesity
adrogen body mass insulin polycystic ovary syndrome
adult height urinary pyridinoline excretion
aerobic exercise capacity
age-related skeletal disorders
albumin bone density calcium fractures, vertebral hyperparathyroidism kidney stone disease
albuminuria
albuminuria among aboriginal Australians
albuminuria hypertension
aldosterone
aldosterone angiotensin II hypertension
aldosterone blood pressure, arterial kidney function left ventricular function

aldosterone hypertension
aldosterone responsiveness to angiotensin
aldosterone responsiveness to the renin-angiotensin system
alpha-2-macroglobulin concentration obesity
altered B vitamin/thiol metabolism
altered lipid levels
altered lipid oxidation and early insulin secretion
amitriptyline metabolism
amitriptyline; nortriptyline
amyloidosis
amyloidosis Familial Mediterranean Fever
amyloidosis; Familial Mediterranean Fever
androgen
androgen deprivation therapy response prostate specific antigen
androgen insensitivity syndrome
angiotensinogen concentrations
ANS function
anthropometric and metabolic traits, relative to cardiovascular risk
anthropometric parameters diabetes, type 2 insulin
anti-atherogenic lipoprotein profile
anticoagulant complications
anticoagulant complications; bleeding complications
antilipolytic insulin sensitivity
antioxidant status
antipsychotic agent-induced weight gain
ApoA5 diabetes, type 2 triglycerides
apolipoprotein A-I levels
atherosclerosis
BCHE serum levels
benzene toxicity
beta-cell function
beta-cell function; insulin
biliary atresia
bilirubin; hemolysis
bilirubin; irinotecan pharmacogenetics
birth weight
birth weight body mass
birth weight glucose
birth weight hypoglycemia
bleeding complications
blood pressure
BMI
body composition
body composition changes
body fat
body fat body mass diabetes, type 2 lipoprotein
body fat distribution

body fat leptin
body fat; insulin resistance
body height
body mass
body mass bone density muscle testing
body mass bulimia harm avoidance personality disorders
body mass cholesterol cholesterol, HDL diabetes, type 2 leptin
body mass cholesterol, HDL
body mass cholesterol, HDL diabetes, type 2 glucose insulin metabolic syndrome triglycerides
body mass cholesterol, HDL food consumption lipids
body mass cholesterol, LDL glucose insulin
body mass diabetes, type 2 insulin
body mass diabetes, type 2 triglycerides
body mass energy metabolism
body mass fatty acid glucose tolerance lipoprotein
body mass glucose tolerance glycemia insulin
body mass glucose tolerance glycemia obesity, localized
body mass height weight gain
Body Mass Index
body mass index and waist circumference
body mass insulin
body mass insulin waist circumference
body mass leptin obesity
body mass leptin obesity, localized
body mass metabolic rate
body mass metabolic syndrome
body mass obesity
body mass obesity triglycerides
body mass paraoxonase activity polycystic ovary syndrome
body mass; adiposity
body mass; cholesterol, HDL; blood pressure
body mass; cholesterol, HDL; insulin; folate; homocysteine
body mass; cholesterol, HDL; triglycerides; diabetes, type 2; cholesterol, LDL; hypertension; atherosclerosis
body mass; cholesterol, LDL; cholesterol, total; insulin; apoB
body mass; cholesterol; cholesterol, HDL; triglycerides; blood pressure; insulin resistance
body mass; cholesterol; diabetes, type 2; blood pressure
body mass; cholesterol; triglycerides; blood pressure
body mass; diabetes, type 2
body mass; diabetes, type 2; energy expenditure
body mass; diabetes, type 2; glucose tolerance; insulin
body mass; diabetes, type 2; insulin; glucose; HbA(1c)
body mass; glucose
body mass; glucose tolerance; insulin; lipids; blood pressure, arterial; heart rate; autonomic nervous system

body mass; glucose tolerance; insulin; obesity
body mass; glucose; insulin secretion
body mass; hemoglobin A(1c)
body mass; hypertension; insulin sensitivity
body mass; insulin
body mass; insulin sensitivity
body mass; insulin; glucose
body mass; insulin; glucose; nervous system activity
body mass; insulin; lipids; obesity
body mass; insulin; lipids; obesity; glucose; blood pressure; cortisol, salivary; leptin; leptin; testosterone
body mass; leptin
body mass; leptin; fat mass
body mass; lipids
body mass; muscle testing; IGF-I
body mass; obesity
body mass; triglycerides; blood pressure, arterial
Body Weight
body weight height limb length
Body Weight Regulation
body weight; seasonal affective disorder
bone characteristics
bone density
bone density and spondylosis
bone density but not spondylosis
bone density dehydroepiandrosterone sulphate osteoporosis
bone density dihydrotestosterone estradiol sex hormone binding globulin testosterone
bone density fracture risk
bone density fracture risk osteoporosis, postmenopausal
bone density fractures, vertebral
bone density fractures, vertebral osteoporosis, postmenopausal
bone density height
bone density osteoarthritis osteoporosis
bone density osteocalcin
bone density; calcium; fractures, nonvertebral; milk intolerance
bone density; fractures
bone density; fractures, vertebral
bone density; height
bone density; height; PTH; pyridinoline, urinary
bone density; muscle strength
bone density; osteoporosis
bone density; spondylosis, lumbar
bone density; tricho-dento-osseous syndrome
bone fractures
bone loss
bone marrow transplant

bone mass
bone mass IGF-I levels sex steroid hormones
bone mass; osteoporotic fractures
bone metastases
bone mineral density
bone mineral density (BMD)
bone mineral density (BMD) / quantitative ultra sound (QUS)
Bone mineral mass
Bone Mineralization
calcium
Calcium Nephrolithiasis
carotid artery damage
catalase activity
central adiposity
cholesterol absorption
cholangitis, sclerosing
cholelithiasis
cholelithiasis; bilirubin
cholestasis
cholestasis; biliary atresia
cholesterol
cholesterol cholesterol, HDL cholesterol, LDL
cholesterol cholesterol, HDL cholesterol, LDL cholesterol, VLDL lipoprotein triglycerides
cholesterol cholesterol, HDL cholesterol, LDL triglycerides
cholesterol cholesterol, LDL diabetes, type 2 insulin triglycerides
cholesterol cholesterol, LDL fibrinogen lipoprotein myocardial infarct nitrate triglycerides
cholesterol cholesterol, LDL lipids lipoprotein
cholesterol cholesterol, LDL triglycerides
cholesterol heart disease, ischemic
cholesterol metabolic syndrome triglycerides
cholesterol status
cholesterol, HDL
cholesterol, HDL cholesterol, LDL
cholesterol, HDL hypertriglyceridemia triglycerides
cholesterol, HDL obesity
cholesterol, HDL triglycerides
cholesterol, HDL; arterial-wall changes; cholesterol efflux
cholesterol, HDL; atherosclerosis, coronary
cholesterol, HDL; cholesterol, LDL
cholesterol, HDL; cholesterol, LDL; apoA1; apoB
cholesterol, HDL; cholesterol, LDL; cholesterol, total; apoA1; apoE; apoB-100
cholesterol, HDL; cholesterol, total; insulin; cortisol
cholesterol, HDL; cholesteryl ester transfer protein
cholesterol, HDL; C-reactive protein; carotid intima-media thickness
cholesterol, HDL; hypertension



cholesterol, HDL; lipids
cholesterol, HDL; lipoprotein, LDL
cholesterol, HDL; triglycerides
cholesterol, HDL; triglycerides; adiposity
cholesterol, HDL; triglycerides; cholesterol, LDL
cholesterol, HDL; triglycerides; cholesterol, LDL; cholesterol, total; glucose
cholesterol, HDL; triglycerides; cholesterol, LDL; lipoprotein; fatty acid; uric acid
cholesterol, HDL; triglycerides; coronary heart disease; cholesterol, LDL; cholesterol, total
cholesterol, HDL; triglycerides; lipids
cholesterol, HDL; triglycerides; personality trait
cholesterol, LDL
cholesterol, LDL sPLA2-IIA mass
cholesterol, LDL,cholesterol, LDL hypercholesterolemia
cholesterol, LDL; cholesterol, total
cholesterol, LDL; cholesterol, total; apolipoproteins
cholesterol, LDL; C-reactive protein; triacylglycerol
cholesterol, LDL; hypertension; C-reactive protein; fibrinogen; homocysteine; white blood cell count
cholesterol, LDL; insulin; metabolism disorders
cholesterol, LDL; lipoproteins
cholesterol, total
cholesterol; cholesterol, HDL; cholesterol, LDL; hypertension; lipoproteins; obesity
cholesterol; cholesterol, HDL; lipoprotein, LDL; triglycerides; hypertension
cholesterol; cholesterol, HDL; lipoprotein; lipids
cholesterol; cholesterol, LDL
cholesterol; cholesterol, LDL; campesterol; sitosterol
cholesterol; cholesterol, LDL; carotid atherosclerosis
cholesterol; cholesterol, LDL; lipoproteins; fatty acid
cholesterol; diabetes, type 2
cholesterol; diabetes, type 2; hypertension; nephropathy, diabetic; albuminuria
cholesterol; diabetes, type 2; insulin; glucose; insulin resistance; PC-1 protein content; systolic blood pressure
cholesterol; hypercholesterolemia; cholesterol, LDL; hypertriglyceridemia
cholesterol; insulin; obesity; blood pressure
cholesterol; lathosterol
cholesterol; triglycerides
cholesterol; triglycerides; diabetes, type 2; obesity
cholesterol; triglycerides; obesity
cholesteryl ester storage disease
cholesteryl ester transfer protein
chondrocalcinosis
chronic symptoms in pesticide-exposed workers
coke-oven toxicity
Colon Cancer

combined bone mass
combined pituitary hormone deficiency
coronary artery disease
cortisol
cortisol escape from dexamethasone and elevated glucose levels
cortisol response to opioid blockade
C-reactive protein cholesterol, HDL insulin
creatinine; protein excretion, urinary
CYP2A6 poor metabolizer phenotype
CYP2D6 poor metabolizer phenotype
cystinuria
decreased bone mass in patients
diabetes
diabetes mellitus
diabetes mellitus type I
Diabetes Mellitus. Obesity. and Lipaemia
diabetes or impaired glucose tolerance
diabetes, gestational
diabetes, gestational insulin
diabetes, neurological manifestations
diabetes, type 1
diabetes, type 1 diabetes, type 2
diabetes, type 2
diabetes, type 2 fatty acid triglycerides
diabetes, type 2 ghrelin insulin
diabetes, type 2 glucose insulin
diabetes, type 2 glucose insulin obesity
diabetes, type 2 glucose tolerance
diabetes, type 2 hypertension
diabetes, type 2 hypertension intima-media thickness mortality
diabetes, type 2 insulin
diabetes, type 2 insulin metabolic syndrome
diabetes, type 2 kidney failure, chronic
diabetes, type 2 metabolic syndrome
diabetes, type 2 metabolism syndrome
diabetes, type 2 obesity
diabetes, type 2 plasminogen activator inhibitor type 1 levels
diabetes, type 2 retinopathy, diabetic
diabetes, type 2 rheumatoid arthritis
diabetes, type 2 sleep apnea
diabetes, type 2; atherosclerosis, generalized
diabetes, type 2; body fat; lipid metabolism
diabetes, type 2; cardiovascular disease; birth weight
diabetes, type 2; cholesterol, LDL; glucose tolerance; blood pressure, arterial; glycosylated hemoglobin A1
diabetes, type 2; diabetes, type 1
diabetes, type 2; glucose tolerance

diabetes, type 2; glucose tolerance; obesity
diabetes, type 2; glucose; HbA1c
diabetes, type 2; hypertension
diabetes, type 2; hypertension; insulin
diabetes, type 2; hypertension; obesity, localized
diabetes, type 2; insulin
diabetes, type 2; insulin; glucose; C-peptide; fatty acid
diabetes, type 2; insulin; leptin
diabetes, type 2; insulin; lipids; obesity
diabetes, type 2; insulin; obesity
diabetes, type 2; metabolic syndrome
diabetes, type 2; myocardial infarction
diabetes, type 2; nephropathy
diabetes, type 2; nephropathy in other diseases
diabetes, type 2; nephropathy, diabetic
diabetes, type 2; obesity
diabetes, type 2; polymetabolic syndrome
diabetes, type 2; stroke, ischemic
diabetes, type 2; weight loss; weight gain
diabetic nephropathy; retinopathy, diabetic
dietary intake and body composition
drug genotoxicity
drug hypersensitivity
drug hypersensitivity; asthma; rhinosinuitis, allergic fungal; sinusitis
drug metabolism
dyslipidemia
dyslipidemia and insulin resistance
dyslipidemias
electrolyte levels
elevated ACE
elevated fasting blood glucose levels
elevated HDL cholesterol levels
endogenous hypertriglyceridemia and familial hypercholesterolemia
enzyme activity
exercise-mediated changes of insulin resistance
Fabry disease
familial combined hyperlipidaemia.
familial combined hyperlipidemia
familial defective apolipoprotein B
familial defective apolipoprotein B-100 in a Chinese man
familial defective apolipoprotein B100.
familial diabetes insipidus
familial hypercholesterolaemia
fasting total cholesterol and LDL-cholesterol concentrations only
fibrinogen
fibrinogen; Budd-Chiari syndrome
folate

folate homocysteine
folate homocysteine vitamin B12
folate; homocystinuria
G6PD deficiency
gallstone disease
gallstones
Gaucher disease
Gestational Diabetes
gestational diabetes mellitus
Gilbert syndrome
Gilbert's syndrome
glucocorticoid deficiency
glucose
glucose insulin
glucose insulin obesity
glucose intolerance
glucose metabolism
glucose response
glucose tolerance
glucose tolerance hyperglycemia
glucose tolerance insulin
glucose tolerance insulin lipemia lipid oxidation
glucose tolerance triglycerides
glucose tolerance; fatty acid
glucose tolerance; insulin
glucose tolerance; insulin; body fat
glucose tolerance; insulin; obesity; energy expenditure
glucose tolerance; insulin; polycystic ovary syndrome; androgen levels; anthropometric measurements
glucose tolerance; insulin; vascular disease
glucose tolerance; metabolic syndrome; adiponectin
glucose; adiponectin
glucose; insulin secretion
glucose; paraoxonase-1
glutamic acid decarboxylase antibodies
glycogen storage disease
gout
growth hormone concentrations insulin-like growth factor
growth hormone responsiveness
growth hormone secretion and height
HDL cholesterol/ BMI
HDL-cholesterol
HDL-cholesterol level
Head and neck squamous cell cancer
hemochromatosis
Hemoglobin Stanleyville II
hemolytic uremic syndrome

high and low levels of cholesterol
High Triglyceride/ Low HDL Cholesterol Levels
high-density lipoprotein cholesterol level.
higher body mass index
higher levels of serum leptin
hirsutism polycystic ovary syndrome
homocysteine
homocysteine nitric oxide
homocysteine rheumatoid arthritis rheumatoid nodulosis
homocysteine; vitamin B12; holotranscobalamin; methylmalonic acid
homocystinuria
homocysteine
hormone disturbance
hyperalphalipoproteinemia
hyperandrogenism
hyperbilirubinemia
hypercalciuria
hypercholesterolemia
hypercholesterolemia of hypothyroidism
hypercholesterolemia; cholesterol, LDL
hypercholesterolemia; hyperlipidemia; hypertriglyceridemia; dysbetalipoproteinemia
hyperglycemia insulin
hyperhomocystinemia
hyperinsulinemia; fat oxidation; intestinal fatty acid absorption
hyperlipidemia
hyperparathyroidism
hypertension
hypertriglyceridemia
hypertriglyceridemia and the development of fatty liver
hyperuricemia; uric acid
hypoglycemia
hypogonadotropic hypogonadism
hypolactasia, adult-type
hypopituitarism midline neurological abnormalities optic nerve hypoplasia pituitary dysfunction septooptic dysplasia
hypospadias
hypothyroidism
hypothyroidism, congenital
idiopathic haemochromatosis
increased antilipolytic insulin sensitivity
increased body weight and dyslipoproteinaemia involving triglyceride-rich lipoproteins
increased concentration of HDL-C and decreased promoter activity
increased fat oxidation and hyperinsulinemia
increased fatty acid binding increased fat oxidation and insulin resistance
Increased plasma concentrations of total cholesterol

increased plasma leptin levels
increased plasma triglyceride and lower high-density lipoprotein cholesterol concentrations
increased plasma triglyceride levels
increased prevalence and level of insulin autoantibodies
increased sensitivity to glucocorticoids
increased serum glucose concentrations
increased serum iron transferrin saturation and hemoglobin
Inflammatory Bowel disease
inflammatory bowel disease; bone density
insulin
Insulin in Obese Women with Impaired Glucose Tolerance (IGT)
insulin left ventricular mass
insulin obesity
insulin resistance
insulin resistance and intra-abdominal fat thickness
insulin resistance in obesity
insulin resistance; fatty acid
insulin response to oral glucose
Insulin sensitivity
insulin triglycerides
insulin; glucose
insulin; glucose; C-peptide; fatty acid
insulin; lipids; glucose
insulin; lipids; obesity; glucose; leptin
insulin; lipids; obesity; glucose; leptin; cortisol
insulin; lipoprotein; lipids
insulin; obesity
insulin; obesity; blood pressure, arterial; blood and blood forming organ disorders
insulin; obesity; leptin
insulin-like growth factor
insulin-resistance syndrome
Insulin-resistant diabetes
intima-media thickness; carotid plaque
iron levels
iron levels; soluble transferrin receptor; transferrin
iron load
lactate dehydrogenase severe acute respiratory syndrome
lactose intolerance
LDL-cholesterol
lead blood levels; zinc
lead toxicity
leanness obesity
leisure physical activity
leptin
leptin expression

leptin levels
leptin; fat mass
Lesch-Nyhan syndrome
lipid levels
lipid metabolism
lipid metabolism disorders
lipid metabolism disorders; hyperlipidemia
lipid metabolism disorders; metabolic syndrome
lipid metabolism disorders; obesity
lipid profiles
lipids
lipids; atherosclerosis
lipids; C-reactive protein; obesity; glucose; leptin
lipids; height
lipids; obesity; glucose; cortisol
lipolysis
lipoprotein
lipoprotein level
lipoprotein levels
lipoprotein subclass profiles
lipoprotein(a) concentration
lipoprotein, LDL
lipoprotein; lipids
lipoproteins
liver disease; Wilson disease
low bone-mineral density and rapid postmenopausal bone loss
low insulin and cholesterol levels
Lp(a)
Lp(a) levels
mannose-binding lectin levels
mannose-binding lectin levels, serum
McArdle disease
medium-chain acyl-CoA dehydrogenase (MCAD) deficiency
medium-chain acyl-CoA dehydrogenase deficiency
metabolic syndrome
metabolic syndrome obesity
metabolism disorders
microalbuminuria
mild familial hypercholesterolaemia
minimum lifetime body mass index
myeloperoxidase activity
neonatal hyperbilirubinemia
nephrolithiasis
nephropathy
nephropathy in other diseases
nephropathy, diabetic

nephropathy, diabetic; retinopathy, diabetic; neuropathy, diabetic; microalbuminuria, diabetic
nitric oxide
normal serum cholesterol levels
obesity
Obesity ????????
Obesity and insulin response
Obesity and Type 2 Diabetes
Obesity- associated hypertension ????????
obesity PAI-1 levels
obesity; affective disorder
obesity; birth weight
obesity; blood pressure, arterial
obesity; blood pressure, arterial; sleep apnea
obesity; cortisol
obesity; depression; cerebrovascular disease
obesity; energy expenditure
obesity; hyperandrogenism
obesity; metabolic syndrome
obesity; polycystic ovarian syndrome; hyperandrogenism
ossification of the posterior longitudinal ligament
ossification of the posterior longitudinal ligament of the spine
ossification of the posterior longitudinal ligament of the spine (OPLL)
osteoarthritis
osteonecrosis
osteopenia osteoporosis
osteoporosis
osteoporosis, postmenopausal
osteoporosis, postmenopausal; bone density
osteoporosis, postmenopausal; bone density; hormone disturbance
osteoporosis, postmenopausal; osteoporosis
osteoporosis; cirrhosis, primary biliary
oxidative stress
PAH metabolites, urinary
PAH-DNA adducts
PAI-1 levels
pesticide toxicity
phenylketonuria
plasma cholesterol levels and body mass index
plasma endothelin-1 levels
plasma factor VII activity and antigen levels
plasma fibrinogen levels
plasma fibrinogen levels in smokers and non-smokers
plasma glucose concentration
plasma HDL-cholesterol
plasma high density lipoprotein cholesterol and apolipoprotein AI
plasma high-density lipoprotein cholesterol levels



plasma homocysteine levels
plasma levels of homocysteine
plasma lipid and apolipoprotein levels
Plasma Lipid Levels
plasma lipid levels and body mass index
plasma lipoprotein(a) levels
plasma lipoproteins
plasma protein C levels
plasma protein C levels and thrombotic risk
plasma total and LDL-apolipoprotein B
plasma vWF
plasmatic PAI-1 activity
plasminogen activator; fibrinolytic activities
platelet alpha2 beta1 density
polycystic ovarian disease
polycystic ovarian syndrome
polycystic ovarian syndrome; insulin resistance
Polycystic ovaries and premature male pattern baldness
polycystic ovary syndrome
polycystic ovary syndrome.
polycystic ovary syndrome; adrenal androgen
polycystic ovary syndrome; diabetes
polycystic ovary syndrome; pregnancy loss, recurrent
Posttransplantation diabetes mellitus (PTDM)
primary biliary cirrhosis]
primary hyperparathyroidism
prolactin
reduced energy expenditure
reduced HDL cholesterol and LpA-I
retinopathy, diabetic
schizophrenia
serum androgen concentrations
serum cholesterol and LDL-cholesterol levels
serum concentrations of creatinine
Serum Insulin Levels in obese
serum lipid levels
serum low density lipoprotein
serum testosterone level
serum total and ionized calcium concentration
serum triglyceride levels
sex hormones
sex steroids
sex-dependent growth
sickle cell anemia
sickle cell disease
Sjogren-Larsson syndrome
skeletal responsiveness to estrogen

soluble cytotoxic T lymphocyte-associated antigen-4
sulfotransferases enzyme activity
Tay-Sachs disease
testosterone
testosterone; prostate specific antigen
thrombosis
thyroid function
total serum calcium
triacylglycerol
triglyceride levels
triglycerides
triglycerides; atherosclerosis, coronary
triglycerides; cholesterol, LDL
triglycerides; cholesterol, LDL; hyperlipidemia
triglycerides; cholesterol, VLDL
triglycerides; hypercholesterolemia
triglycerides; insulin
triglycerides; insulin; cardiovascular disease risk
triglycerides; insulin; obesity
triglycerides; obesity
tuberculosis
Type 2 Diabetes Mellitus
Type 2 Diabetes (Retinopathy)
Type 2 diabetes
Type II diabetic
type III hyperlipoproteinemia
uric acid
urinary calculus
urinary PAH metabolites
urolithiasis
variation in plasma lipoproteins
vasodilation
very low bone mass
waist circumference
warfarin sensitivity
warfarin therapy, response to
weight gain
weight gain (antipsychotic-drug induced)
weight gain, antipsychotic drug-induced
weight loss
Wilson disease
age-related macular degeneration
ALS/amyotrophic lateral sclerosis
Alzheimer`s Disease
Alzheimers disease

**NEUROLOGICAL**

Alzheimer's Disease
Alzheimer's disease cognitive function
Alzheimer's disease dementia
Alzheimer's disease dementia, vascular
Alzheimer's disease depressive disorder, major
Alzheimer's disease Parkinson's disease
Alzheimer's Disease/Coronary artery disease
Alzheimer's disease; Abeta load in brain
Alzheimer's disease; aggressive behavior
Alzheimer's disease; anxiety disorder; depression; psychoses; aggressive behavior
Alzheimer's disease; atherosclerosis, coronary
Alzheimer's disease; attention deficit disorder; conduct disorder; oppositional defiant disorder; dementia, frontotemporal
Alzheimer's disease; cognitive function
Alzheimer's disease; dementia
Alzheimer's disease; dementia, vascular
Alzheimer's disease; depressive disorder, major
Alzheimer's disease; Parkinson's disease
Alzheimer's disease; Parkinson's disease; multiple system atrophy
Alzheimer's disease; Parkinson's disease; progressive supranuclear palsy; dementia, frontotemporal; multiple system atrophy
Alzheimer's disease; psychoses
Alzheimer's disease; psychosis
Alzheimer's disease; vascular endothelial growth factor levels
argyrophilic grain disease
ataxia (SCA)
brain activity
brain electrical response
brain receptor-binding characteristics
Charcot-Marie-Tooth disease
Charcot-Marie-Tooth disease type 1A
Charcot-Marie-Tooth disease type 1B
Charcot-Marie-Tooth neuropathy type 1B
Charcot-Marie-Tooth type 1 disease
Charcot-Marie-Tooth type 1B
chronic toxic encephalopathy
clinically distinct Charcot-Marie-Tooth phenotype
cluster headache
Creutzfeldt-Jakob disease
delayed sleep phase syndrome
delayed sleep phase syndrome.
dementia
depression
dyslexia
dystonia
dystonia, cervical

encephalopathies, transmissible spongiform
encephalopathy stroke
epilepsy
epilepsy, temporal lobe
epilepsy; seizures, febrile
epilpsy
essential tremor
essential tremor Parkinson's disease
event-related prefrontal activity
familial Alzheimer's disease associated
familial amyloid polyneuropathy.
familial amyloidotic polyneuropathy.
familial amyotrophic lateral sclerosis
familial amyotrophic lateral sclerosis.
Familial atypical progressive supranuclear palsy
frontotemporal dementia
frontotemporal dementia and Pick-like 3R and 4R tauopathy
Guillain-Barre syndrome
gyrate atrophy
hippocampal volume
Huntington disease
Huntington's disease
intelligence
Jakob-Creutzfeldt disease
Joubert syndrome
Joubert syndrome nephronophthisis
late-onset Alzheimer's disease.
Lewy Body Formation
memory disturbance
memory impairment
memory impairment, subjective
migraine
migraine migraine with aura
migraine risk
migraine with aura
motor neuron disease
Multiple sclerosis
narcolepsy
neuropathy
neuropathy, Alzheimer's disease related
neuropathy, diabetic
neuropathy, non-arteritic ischaemic optic
P300 amplitudes
pain response
panencephalitis, subacute sclerosing
Parkinsons disease
Parkinson's disease

## PHARMACOGENOMIC

Parkinson's disease; alcohol abuse
Parkinson's disease; cognition
Parkinson's disease; dementia in other conditions
Parkinson's disease; depression
Parkinson's disease; hallucinations
photoparoxysmal response
prefrontal cortex function
prefrontal activity
primary progressive aphasia
progressive supranuclear palsy
psychoses
restless legs syndrome
schizophrenia
seizures
seizures, febrile
sleep disorders
spastic paraplegia
spinocerebellar ataxia
spinocerebellar ataxia type 6
tardive dyskinesia
vertigo, migraine-associated
11beta-hydroxylase activity
18F-fluorodeoxyglucose uptake
5-fluorouracil- related toxicity
5-fluorouracil toxicity
5-fluorouracil toxicity
ABT-773 plasma levels
acenocoumarol pharmacokinetics
acenocoumarol response
acyl-mycophenolic acid-glucuronide
adverse neonatal outcomes birth weight neuromotor symptoms respiratory distress syndrome, neonatal
allergic reaction, betalactam
alprazolam pharmacokinetics
amlodipine pharmacokinetics
amphetamine response
analgesic response
anemia C-reactive protein
anesthesia effects diazepam pharmacokinetics
anticoagulant complications; bleeding events, warfarin therapy-related; overanticoagulation, warfarin therapy-related
anticoagulant response of acenocoumarol
antiemetic response
anxiety disorder
arsenic metabolism
arsenic toxicity

asthma
atrasentan phamacokinetics
attention deficit hyperactivity disorder
azathioprine adverse effects
azathioprine tolerance
benzene toxicity
bilirubin
bleeding complications
blood pressure, arterial
body mass
body mass smoking behavior
breast cancer
breast cancer neutropenia
carisoprodol metabolism
carvedilol pharmacokinetics
cervical cancer
chemotherapy toxicity
chlorpropamide pharmacokinetics
cholestasis, drug-induced hepatotoxicity
cholesterol
cholesterol cholesterol, HDL cholesterol, LDL hyperlipidemia lipoprotein triglycerides
cholesterol cholesterol, HDL cholesterol, LDL triglycerides
cholesterol glucose insulin triglycerides
cholesterol height
cholesterol, HDL cholesterol, LDL heart transplant
cholesterol, HDL triglycerides
cholesterol, LDL
citalopram adverse effects depressive disorder, major
clomipramine metabolism
colon cancer
colorectal cancer
coumarin sensitivity
C-reactive protein cardiovascular event lipids
Crohn's disease
Crohn's disease ulcerative colitis
cyclophosphamide bioactivation
cyclophosphamide phamacokinetics
cyclophosphamide pharmacokinetics
cyclosporine nephrotoxicity
cyclosporine pharmacokinetics
cyclosporine resistance
CYP2A6 phenotype
depression
depression sleep disorders
depressive disorder, major
diabetes, type 2

diabetes, type 2 insulin
digoxin, serum concentration
docetaxel pharmacokinetics
docetaxel pharmacokinetics docetaxel toxicity
dyskinesias, levodopa-induced
ebastine metabolism
edema
efavirenz pharmacokinetics HIV
efficacy and tolerability of simvastatin
epilepsy
epilepsy phenytoin levels
esophagitis
extrapyramidal side effects
fentanyl effects
flubiprofen metabolism
fluvoxamine pharmacokinetics
gastrointestinal toxicity
glibenclamide pharmacokinetics lornoxicam pharmacokinetics
gliclazide pharmacokinetics
glycoprotein IIb/IIIa receptor activation platelet aggregation
growth response to growth hormone therapy
H. pylori infection
haloperidol, plasma
head and neck cancer
heart disease, ischemic hypercholesterolemia
hepatitis C, chronic
hepatotoxicity leukopenia
hepatotoxicity, diclofenac-induced
HIV
hypercholesterolemia
hypertension
ibuprofen clearance
indinavir pharmacokinetics
indisulam pharmacokinetics
irbesartan pharmacokinetics
irinotecan pharmacokinetics
irinotecan pharmacokinetics irinotecan toxicity lung cancer
irinotecan pharmacokinetics lung cancer
irinotecan toxicity
irritable bowel syndrome
kidney cancer
kidney transplant; folate; homocysteine
lasoprazole pharmacokinetics
latanoprost efficacy
left ventricular ejection fraction
left ventricular fractional shortening
leukemia

leukemia, myeloid
lipids triglycerides
liver injury, drug-induced
liver transplant
loperamide concentration
loratadine pharmacokinetics
lornoxicam pharmacokinetics
losartan oxidation
lung cancer
methadone levels
methadone toxicity; etizolam pharmacokinetics
methotrexate efficacy
methotrexate toxicity
multiple chemical sensitivity
multiple sclerosis
mycophenolic acid pharmacokinetics
myocardial infarct
nateglinide pharmacokinetics
neurobehavioral response
nevaprine pharmacokinetics
nicotine
nicotine smoking behavior
obsessive compulsive disorder
omeprazole metabolism; sulfone metabolism
omeprazole pharmacokinetics
organophosphate toxicity
osteoporosis, postmenopausal
ovarian cancer
ovarian toxicity
ovarian toxicity, cyclophosphamide-related premature menopause, cyclophosphamide-related
paclitaxel pharmacokinetics
paclitaxel toxicity
pain intensity
pain response
phenobarbital pharmacokinetics phenytoin pharmacokinetics
phenprocoumon requirements
phenytoin
phenytoin levels
phenytoin metabolism
Plasma caffeine metabolite ratio
pravastatin kinetics
pravastatin pharmacokinetics
psychosis, methamphetamine
QT intervals
rabeprazole pharmacokinetics
rectal cancer



rheumatoid arthritis
rosiglitazone pharmacokinetics
rosuvastatin pharmacokinetics
saquinavir pharmacokinetics
schizophrenia
schizophrenia weight gain
selenium
simvastatin pharmacokinetics
simvastatin treatment, efficacy and tolerability
sirolimus pharmacokinetics
smoking behavior
suicide
sulfonylurea failure, secondary
tacrolimus pharmacokinetics
tacrolimus pharmacokinetics
topiramate pharmacokinetics valproate pharmacokinetics
tuberculosis
ulcerative colitis
verapamil pharmacokinetics
warfarin sensitivity
warfarin therapy
warfarin therapy, response to
weight gain
weight gain, antipsychotic-induced
weight loss
<b>PSYCH</b>
ADHD
ADHD and conduct disorder
affective disorder
affective psychoses
Age-associated memory impairment
aggression
aggression, impulsivity, and central nervous system serotonergic responsivity
aggressive behavior
aggressive behavior of chondrosarcoma
aggressive personality traits
alcohol abuse; behavior problems
anger-related traits
anorexia nervosa
anorexia nervosa and food intake
anorexia nervosa bulimia
anorexia nervosa obesity
anorexia nervosa; bulimia
anorexia nervosa; bulimia nervosa
antidepressant medication intolerance.
antisocial behavior conduct disorder

antisocial personality disorder
anxiety
Anxiety and hostility and depression
anxiety depression neuroticism psychological distress
anxiety disorder
anxiety disorder migraine
anxiety disorder panic disorder
anxiety disorder; alcohol abuse
anxiety disorder; blood pressure, arterial; memory impairment
anxiety disorder; depression
anxiety disorder; depressive disorder, major; neuroticism
anxiety disorder; depressive disorder, major; panic disorder
anxiety disorders
anxiety symptoms
Anxiety traits
anxiety-related temperament and behavior problems
anxiety-related traits
Asperger syndrome
attachment disorganization
attention deficit disorder; seasonal affective disorder
attention deficit hyperactivity disorder
attention deficit hyperactivity disorder behavior disorder
attention deficit hyperactivity disorder conduct disorder novelty seeking substance experimentation
attention deficit hyperactivity disorder depressive disorder, major
attention deficit hyperactivity disorder externalizing behavior IQ
attention deficit hyperactivity disorder-like phenotype
attention problems
attentional network function
Attention-deficit/hyperactivity disorder
aura anxiety and depression
autism
autism obsessive compulsive disorder
autism spectrum disorder
behavior problems
behavioural traits
binge eating
bipolar affective disorder
bipolar affective disorder.
bipolar affective disorder; unipolar affective disorder
bipolar and unipolar disorder
bipolar disorder
bipolar disorder catatonia schizophrenia
bipolar disorder depression
bipolar disorder depressive disorder, major
bipolar disorder mood disorder schizophrenia
bipolar disorder schizoaffective disorder

bipolar disorder schizophrenia
bipolar disorder suicide
bipolar disorder unipolar disorder
bipolar disorder; affective psychoses
bipolar disorder; mania, antidepressant-induced
bipolar disorder; unipolar disorder
bulimia
bulimia eating disorder
bulimia harm avoidance personality traits
caffeine-induced anxiety.
childhood-onset mood disorders
clozapine response
cognitive function
cognitive function dementia
cognitive function schizophrenia
cognitive function schizotypy
cognitive impairment
conduct disorder
conduct disorder; oppositional defiant disorder; antisocial personality disorder
craving
decision making
decision-making memory impairment
delusional disorder
delusions hallucinations psychoses
dementia
dementia, frontotemporal
dementia, vascular
depressed suicide
depression
depression and response to antidepressant treatment
depression depressive disorder, major
depression sleep disorders
depression stroke
depression, interferon-induced
depression, psychosis and antipsychotic response
depression; thrombocyte MAO activity
depressive disorder, major
depressive disorder, major hippocampal volume
depressive disorder, major suicide
depressive disorder, major; alcoholism
depressive disorder, major; bipolar disorder
depressive disorder, major; phobia
depressive disorder, major; suicide
depressive episode, major
disorganized attachment behavior
disruptive behavior
eating disorder

eating disorders
eating disorders mood disorders schizophrenia substance abuse
externalizing behavior problems and associated temperament traits
externalizing behavior problems; hyperactivity
eye movement disturbances
hallucinations schizophrenia
harm avoidance
hypotension
impulse behavior
impulse control disorder
impulsive behavior
impulsive inpatients
impulsivity
impulsivity; response inhibition
intelligence
interpersonal sensitivity; paranoid ideation; psychoticism
irritability hostility impulsivity and memory
major and bipolar depressives
major depression
major depressive disorder
major psychoses
manic-depressive illness
memory
memory performance
migrane. typical
mood disorder
mood disorder.
mood disorders
mood response
neuroticism
neuroticism; agreeableness
novelty seeking
obsessive compulsive disorder
obsessive compulsive disorder Tourette syndrome
obsessive-compulsive disorder
panic disorder
pathologic gambling
pathological gambling
perceived parenting
performance on the Wisconsin Card Sorting Test
personality disorders
personality trait of spritual acceptance
personality traits
personality traits; illegal drug use
posttraumatic stress disorder
post-traumatic stress disorder
psychiatric diseases

psychoses
psychoses schizophrenia
psychoses; methamphetamine dependence
psychoses; neuroticism
psychosis
psychosis schizophrenia
psychosis, alcoholic
psychotic disorders
reasoning skills
response to clozapine
schizoaffective disorder; alcoholism; bipolar disorder; suicide
schizophrenia
schizophrenia substance abuse
schizophrenia tardive dyskinesia
schizophrenia; alcohol abuse; depressive disorder, major; dermal erythema; schizoaffective disorder
schizophrenia; alcoholism; bipolar disorder
schizophrenia; bipolar disorder
schizophrenia; bipolar disorder; psychoses
schizophrenia; body fat; weight gain
schizophrenia; depressive disorder, major; bipolar disorder; delusional disorder; psychosis
schizophrenia; panic disorder
schizophrenia; psychoses
schizophrenia; schizoaffective disorder
schizophrenia; schizoaffective disorder; affective disorder
schizophrenia; schizoaffective disorder; bipolar disorder
schizophrenia; schizoaffective disorder; weight gain
schizophrenia; tardive dyskinesia
schizophrenia; therapeutic response
schizotypal traits
seasonal affective disorder
self-harm behavior
sleep disorders; depressive disorder, major
somatic anxiety
stress
suicidal behavior
suicidal behavior in depressed patients.
suicide
suicide family history
suicide, alcohol-dependent
suicide; depression
suicide; personality disorders
tardive dyskinesia
temperament
tic disorder, chronic
Tourette syndrome

**RENAL**

vascular dementia  
violent suicidal behavior  
violent suicide  
acute and chronic kidney transplant outcome  
altered urinary albumin/creatinine values  
chronic renal failure  
chronic renal failure.  
diabetes, type 1 diabetic nephropathy  
diabetes, type 2  
diabetic nephropathy  
diabetic nephropathy and retinopathy.  
diabetic nephropathy diabetic neuropathy  
diabetic nephropathy.  
diabetic neuropathy  
diabetic polyneuropathy  
diabetic retinopathy  
Diabetic Retinopathy in Type 2 Diabetes  
diabetic retinopathy.  
end stage renal disease  
End- Stage Renal Disease (ESRD)  
Familial distal renal tubular acidosis  
glomerulonephritis  
glomerulopathy lupus nephritis  
glomerulosclerosis, focal  
Henoch-Schonlein purpura; nephritis, Henoch-Schonlein  
Human Renal Transplantation  
IgA nephropathy  
immunoglobulin A nephropathy  
kidney disease  
kidney disease; vascular disease  
kidney dysfunction  
kidney failure  
kidney failure, acute  
kidney failure, chronic  
kidney failure, chronic kidney transplant  
kidney size, newborn  
kidney stone disease  
kidney transplant  
kidney transplant rejection  
medullary sponge kidney disease  
minimal change nephrotic syndrome  
nephritis  
nephrogenic diabetes insipidus  
nephropathy  
nephropathy in diabetes mellitus

## REPRODUCTION

nephropathy in other diseases  
nephropathy in other diseases; cerebrovascular disease  
nephropathy in other diseases; peripheral vascular disease  
nephropathy, basement membrane  
nephropathy, diabetic  
nephropathy, diabetic; proteinuria  
nephropathy, IgA  
nephrosis  
nephrotic syndrome  
peritoneal transport  
polycystic kidney disease  
polycystic kidney disease 1  
progressive renal damage  
purpura, Henoch-Schonlein  
renal disease  
renal disease, end stage  
renal disease, end stage vascular endothelial growth factor  
renal scarring urinary tract infection  
renal transplant  
Renal Transplant Survival  
renin activity salt sensitivity  
retinopathy, diabetic

abruptio placentae  
adenomyosis endometriosis  
amenorrhea premature ovarian failure  
anovulation and fecundity  
azoospermia  
azoospermia infertility, male oligospermia  
azoospermia oligospermia  
azoospermia; oligospermia  
azoospermia; oligospermia; infertility, male  
birth weight  
birth weight fetal growth  
birth weight perinatal complications  
birth weight preterm delivery  
birth weight; cord blood IGF-II levels  
birth weight; placental weight  
birth weight; preterm delivery  
chorioamnionitis  
endometriosis  
endometriosis adenomyosis and leiomyomata.  
endometriosis.  
endometriosis; adenomyosis  
erectile dysfunction  
estradiol

fetal loss, early
gestational age
grow intrauterine growth
GSTM1 methylation infertility, male
hyperglycemia hypertension, pregnancy induced preterm delivery
idiopathic recurrent miscarriage.
in vitro fertilization
increased ovulation rate
infant birthweight
infant disorganization
infertility, female
infertility, male
infertility, tubal factor
intrahepatic cholestasis of pregnancy
intrauterine growth
invitro fertilization
male infertility
menarche
menarche; menopause
menopause
menstrual cycle
menstrual disorders
ovarian hyperstimulation syndrome
ovulatory dysfunctions
placental abruption
placental malperfusion pregnancy complications
preeclampsia
pre-eclampsia
preeclampsia.
preeclampsia; abruptio placentae
preeclampsia; eclampsia
preeclampsia; hypertension, pregnancy induced
pregnancy loss
pregnancy loss, recurrent
pregnancy loss, recurrent; coagulation disorder
pregnancy loss, recurrent; fetal loss
pregnancy loss, recurrent; in vitro fertilization success
premature ovarian failure
premature ovarian failure primary amenorrhea
premature ovarian failure; menopause, early
premature pubarche
premature rupture of membranes
preterm birth
preterm delivery
preterm delivery small-for-gestational age
shortened gestation
spontaneous preterm birth



## VISION

spontaneous preterm delivery.
Adult vitelliform macular dystrophy
advanced retinopathy of prematurity
albuminuria retinopathy, diabetic
amyloidotic vitreous opacities Asparagine for isoleucine at position 84
atopic dermatitis, ocular
Autosomal-dominant retinitis pigmentosa
cataract glaucoma retinal detachment visual acuity Vogt-Koyanagi-Harada syndrome
cataract, presenile
choroidal neovascularization geographic atrophy macular degeneration
cone degeneration
cone-rod dystrophy
cone-rod dystrophy macular dystrophy retinitis pigmentosa
congenital cataracts
Defective colour vision
diabetes, type 2; retinopathy, diabetic
glaucoma
glaucoma, normal tension
glaucoma, primary congenital
glaucoma, primary open-angle
glaucoma, primary open-angle ocular hypertension
glaucoma, primary open-angle; glaucoma, normal tension
glaucoma; glaucoma, primary open-angle
Graves' disease ophthalmology
Graves ophthalmology Graves' disease
intraocular pressure
macular and peripheral retinal degeneration
macular corneal dystrophy
macular corneal dystrophy.
macular degeneration
macular degeneration, age-related
myopia
normal tension glaucoma
ocular albinism
ocular cicatricial pemphigoid
optic atrophy
optic disc atrophy
pathological myopia
pattern dystrophy of the retina
Peters' anomaly
primary open-angle glaucoma
proliferative vitreoretinopathy rhegmatogenous retinal detachment
retinal artery occlusion
retinal hemangioblastomas
retinal vascular occlusion

retinitis pigmentosa
retinoblastoma
retinopathy of prematurity
retinopathy, diabetic
retinoschisis, x-linked
Usher syndrome
X linked juvenile retinoschisis
young-onset keratoconus
zonular pulverulent cataract