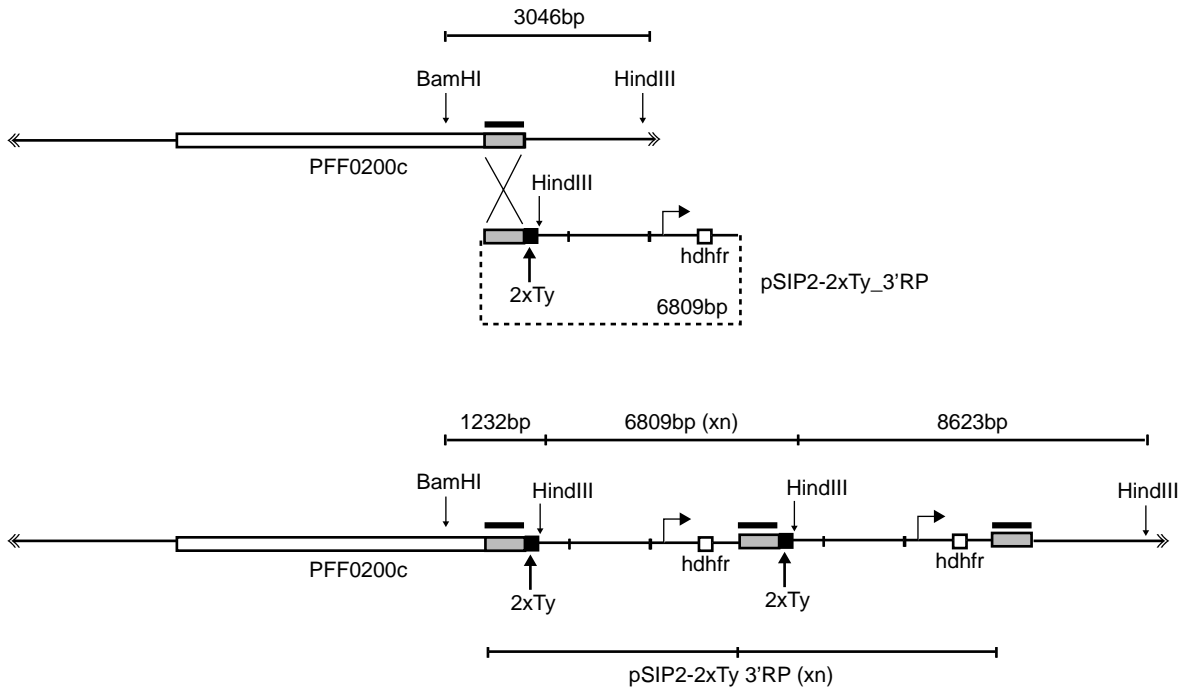


Figure S1

A



B

