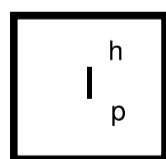
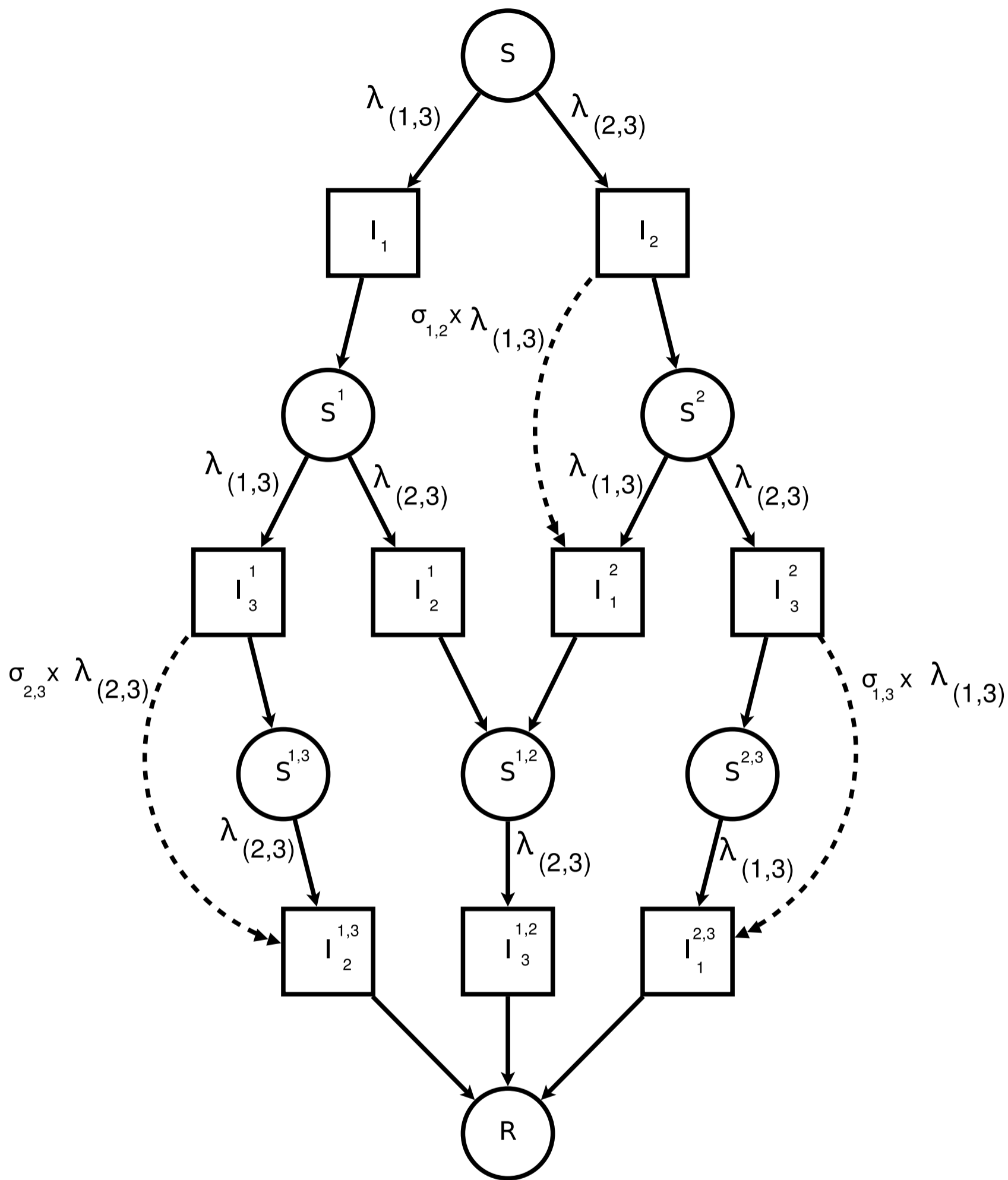
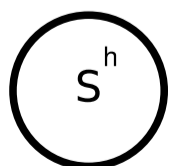


Figure S1 - Model diagram



Infected host with immune history h and expressed VSA block p



Susceptible host with immune history h

$\lambda_{(a,b)}$ Force of infection by parasites with VSA blocks a and b .

$\sigma \times \lambda_{(a,b)}$ Probability of being superinfected by parasites (a,b)