

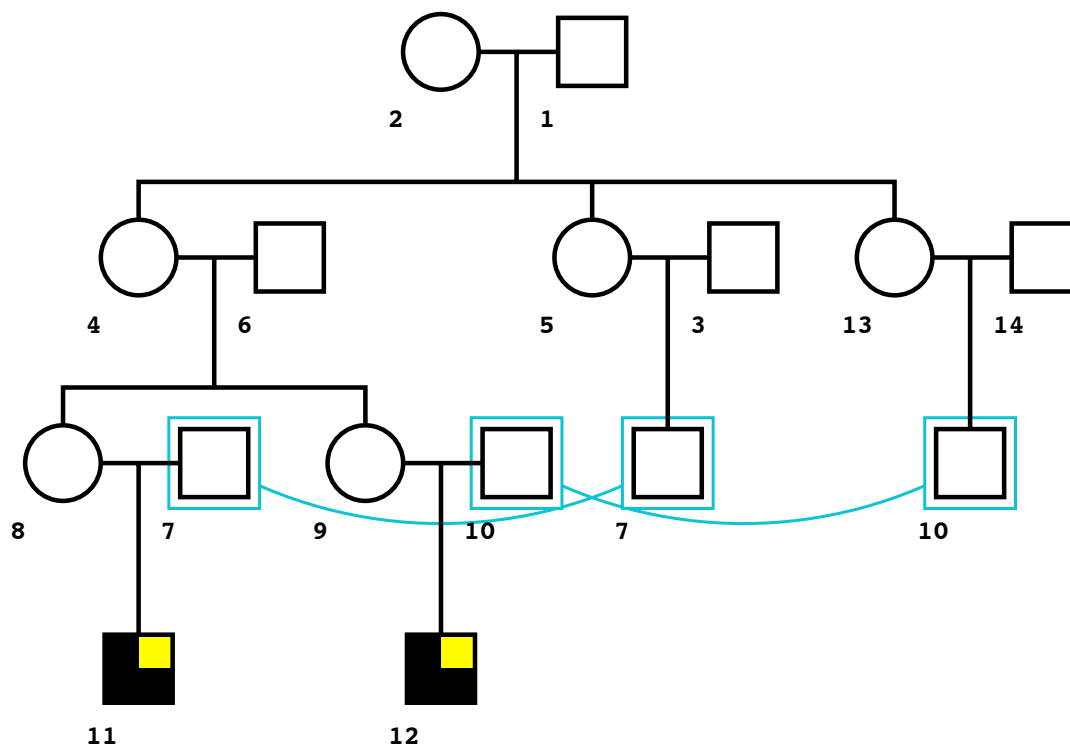
## **ONLINE SUPPLEMENT:**

### **FIGURE LEGENDS**

Figure 1. Artificial family structure constructed to allow genetic studies of history of the *IPF1* mutation Pro63fsX60 in the Kentucky-Michigan and Virginia probands with neonatal diabetes and pancreatic agenesis.

Figure 2. Results of linkage study of neonatal diabetes in the artificial family structure shown in Figure 1. Linkage analyses were carried out using the software program ALLEGRO assuming a fully penetrant rare recessive model ( $f_2 = 1$ ;  $q = 0.0001$ ), and using allele frequencies estimated from the HapMap CEU samples.

Figure 1



● Genotyped  
■ Affected

Figure 2

Pancreatic Agenesis, Artificial Family Structure, 2 Inbreeding Loops

