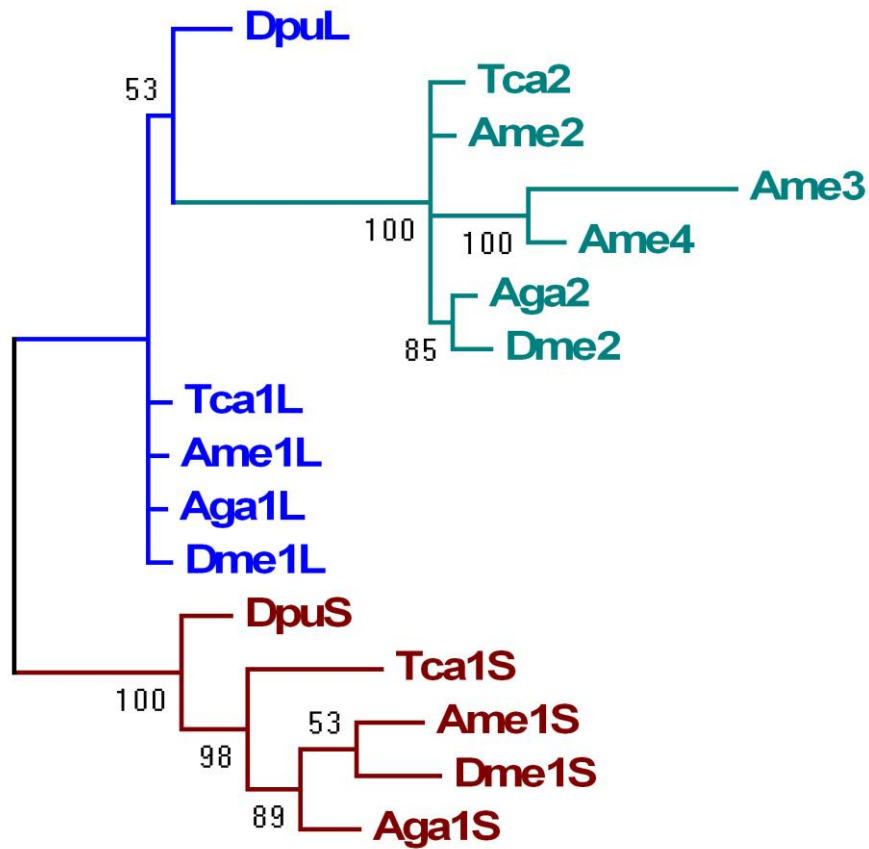


**Figure S5**



**Figure S5 – Externalization of *TPM2* in arthropods**

Phylogenetic analysis of MATE exons in arthropods (exons 4,5 and 7) Bayesian inference tree of exons 4 estimated under the JTT +  $\Gamma$  model as recommended by Prottest. Exons from *TPM2* genes (as well as the lineage-specific duplicates *TPM3* and *TPM4* in *A. mellifera*) group with the corresponding long-form associated exons (blue branches), showing that *TPM2* retained only the long-form specific regions.