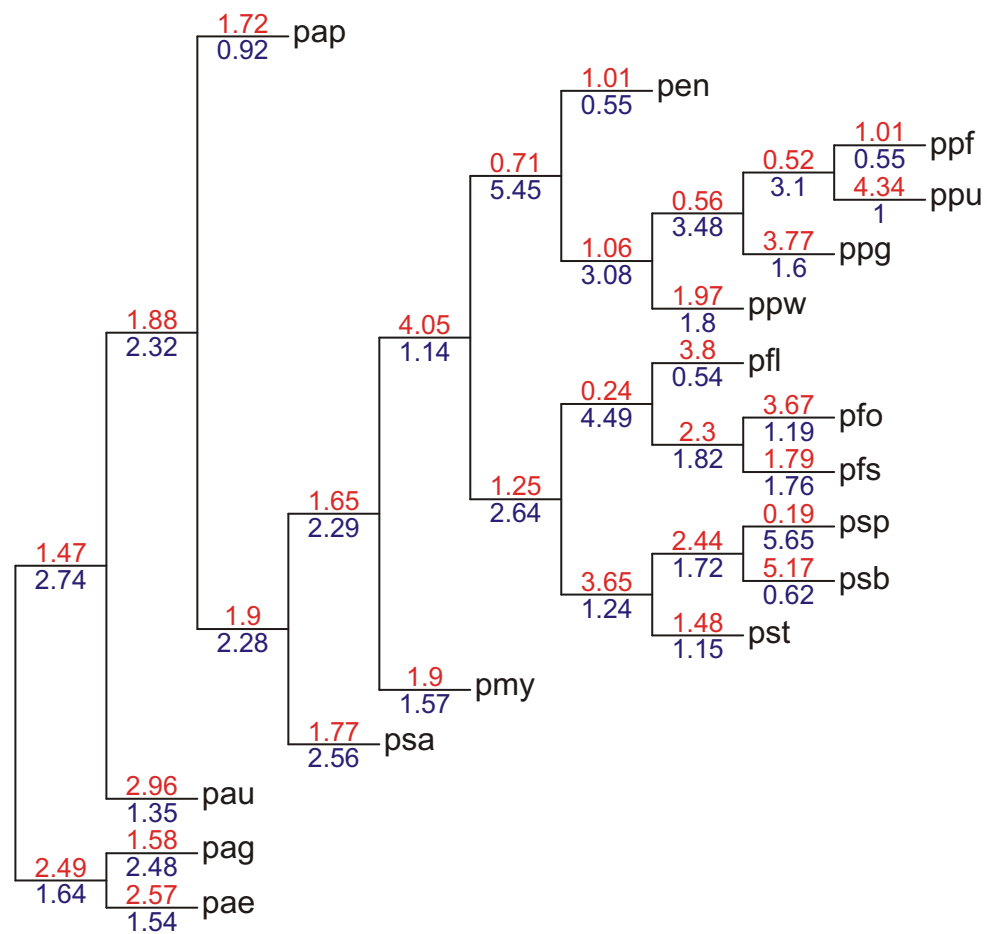
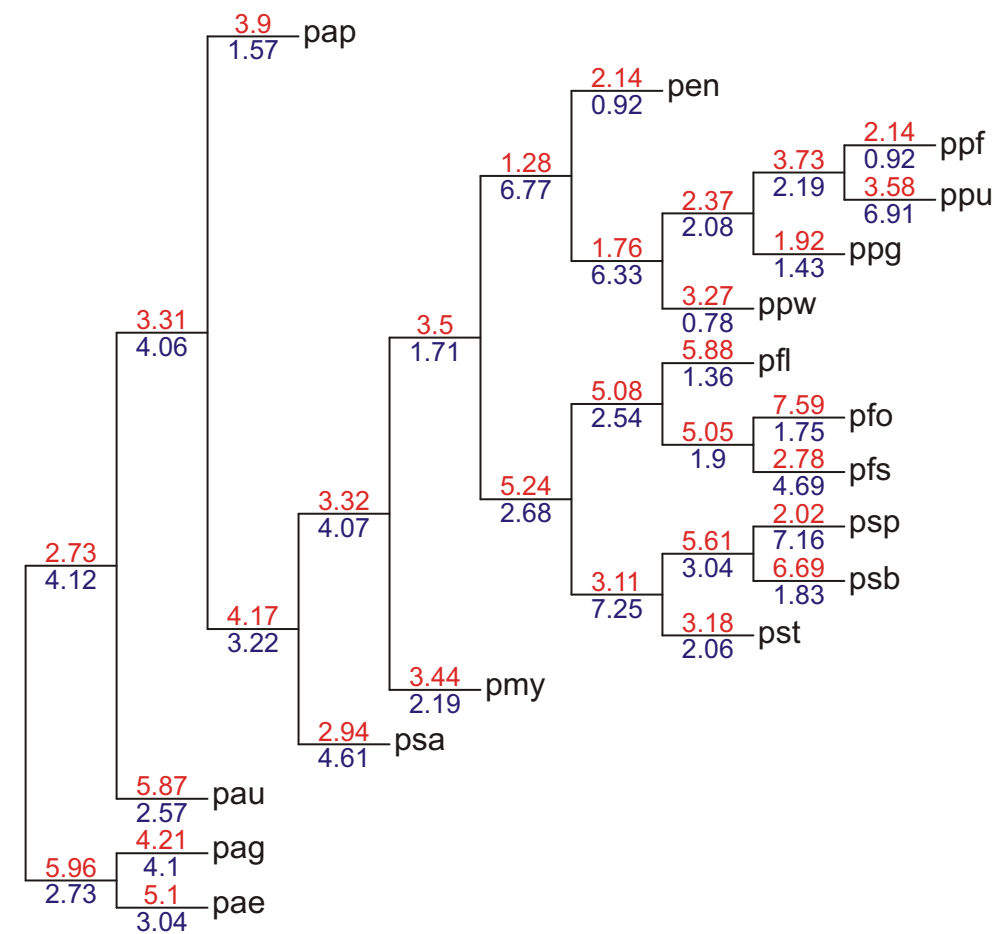


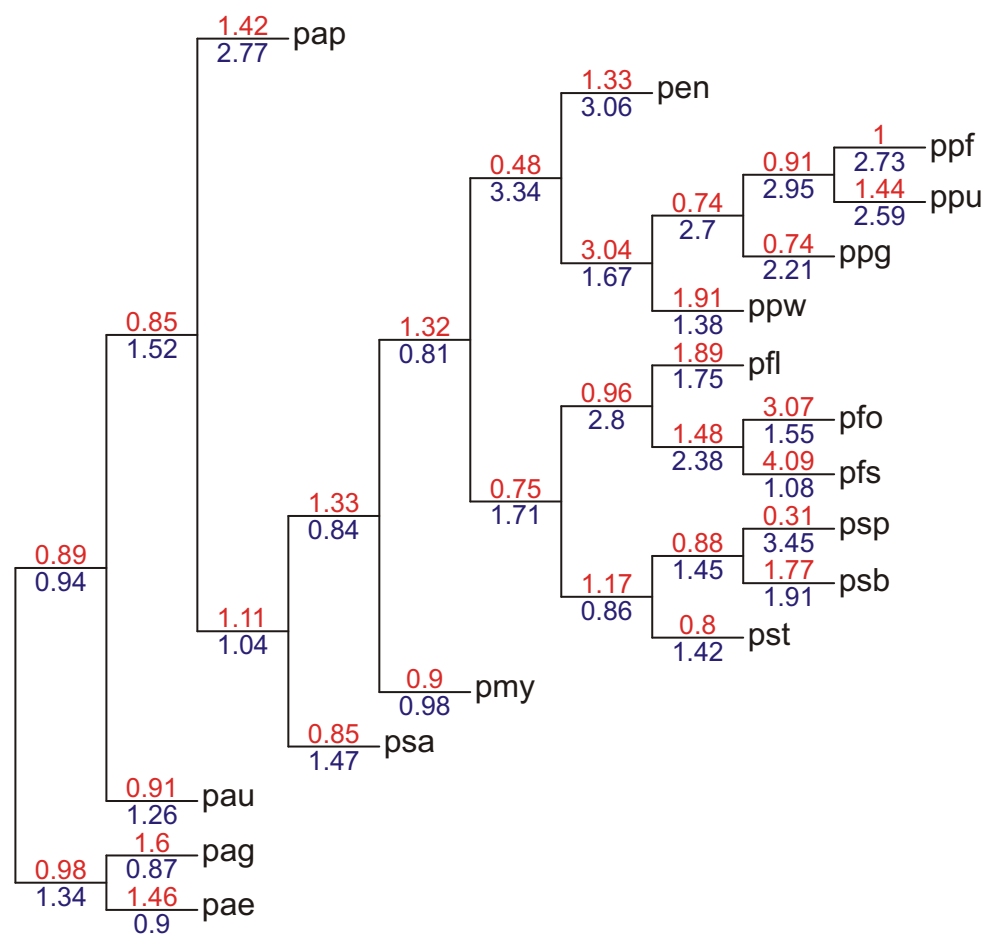
### A Glycolysis / gluconeogenesis



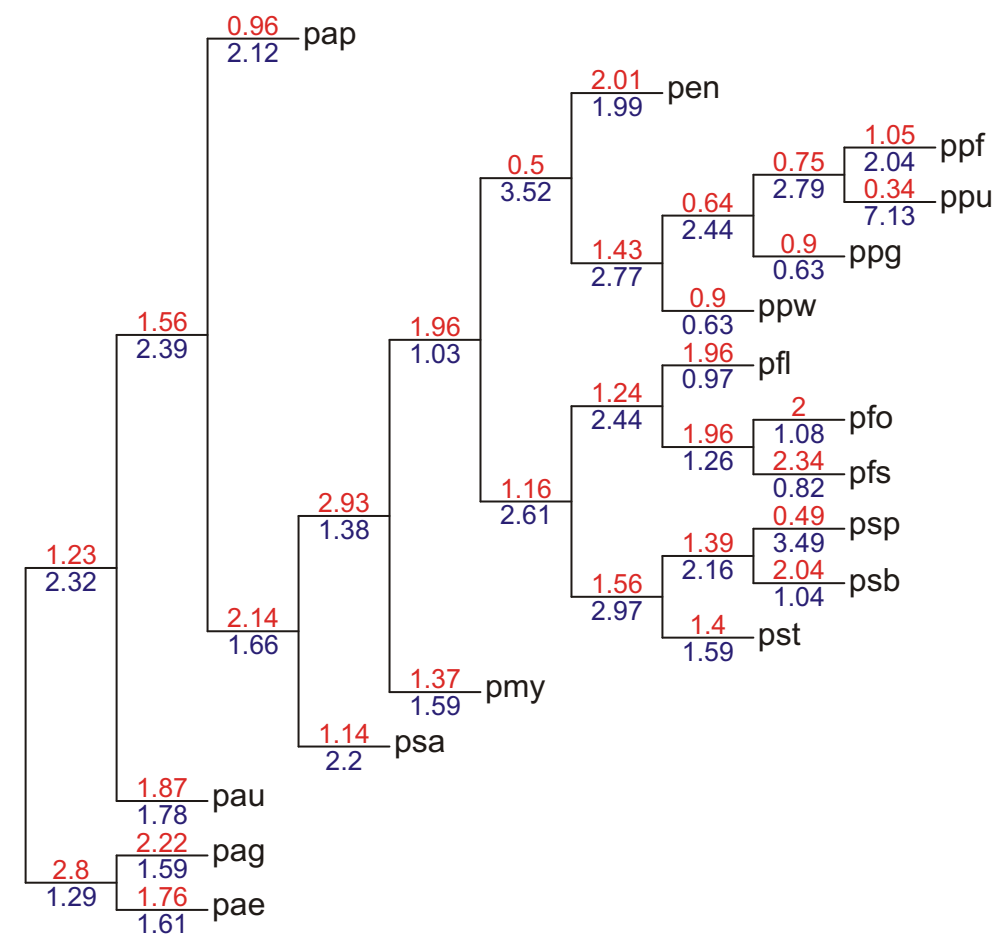
### B Pentose phosphate pathway



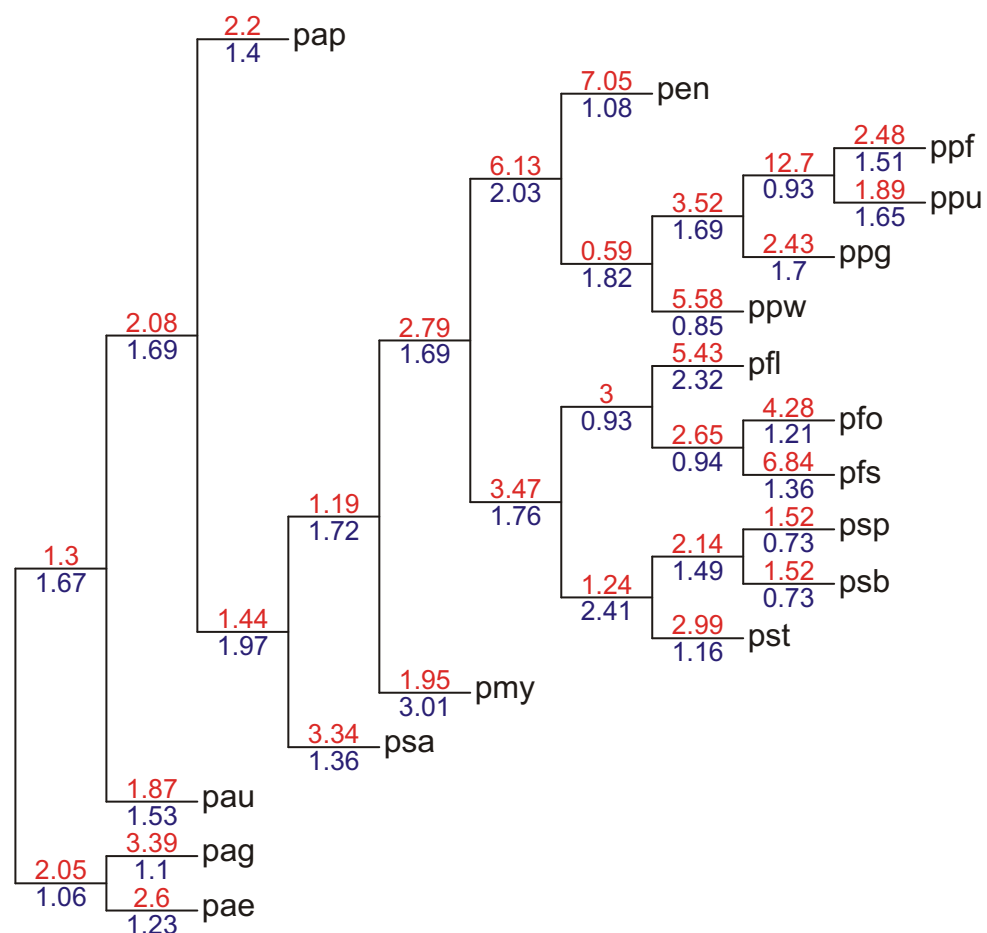
### C Lysine degradation



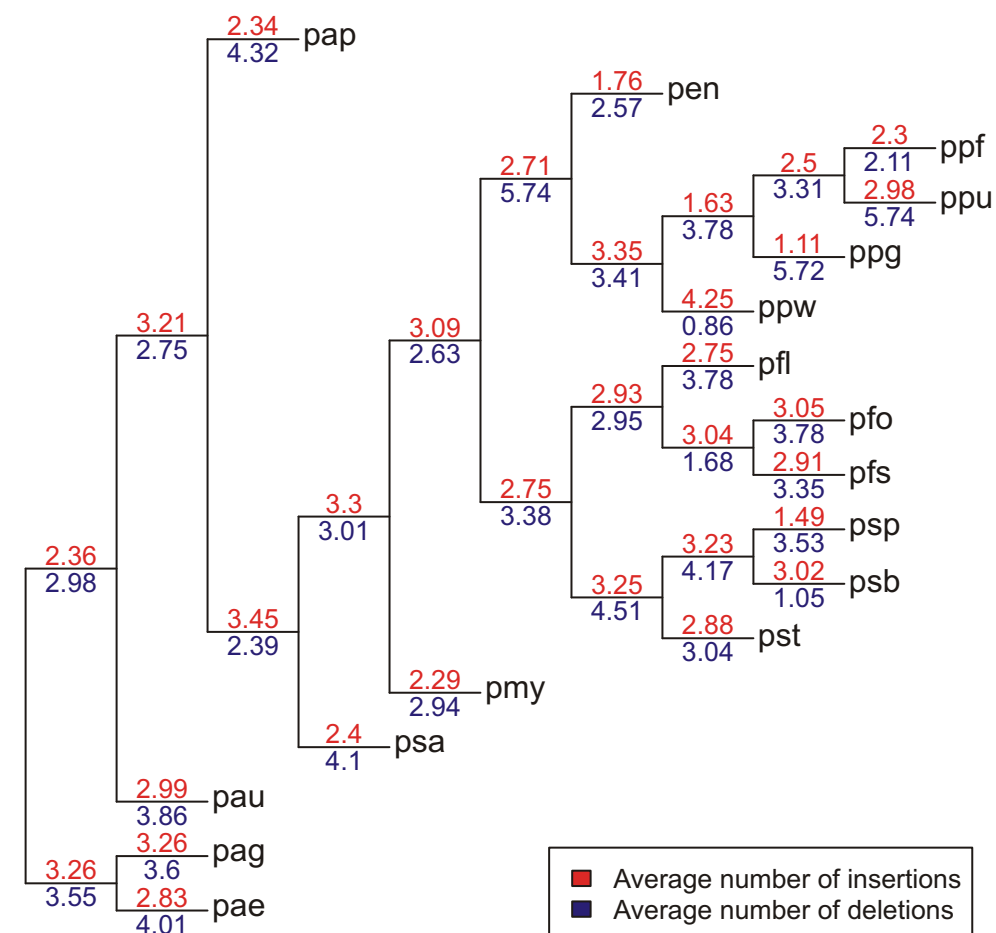
### D Histidine metabolism



### E Phenylalanine metabolism



### F Pyruvate metabolism



■ Average number of insertions  
■ Average number of deletions