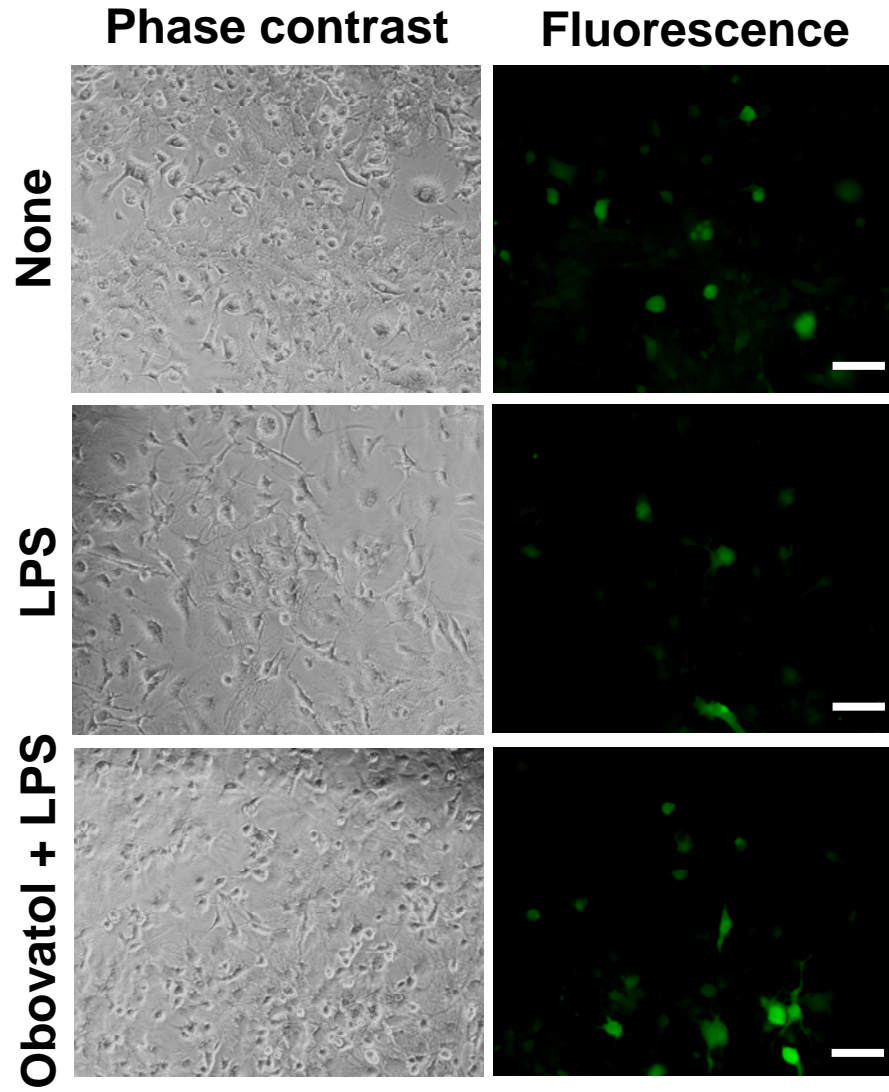
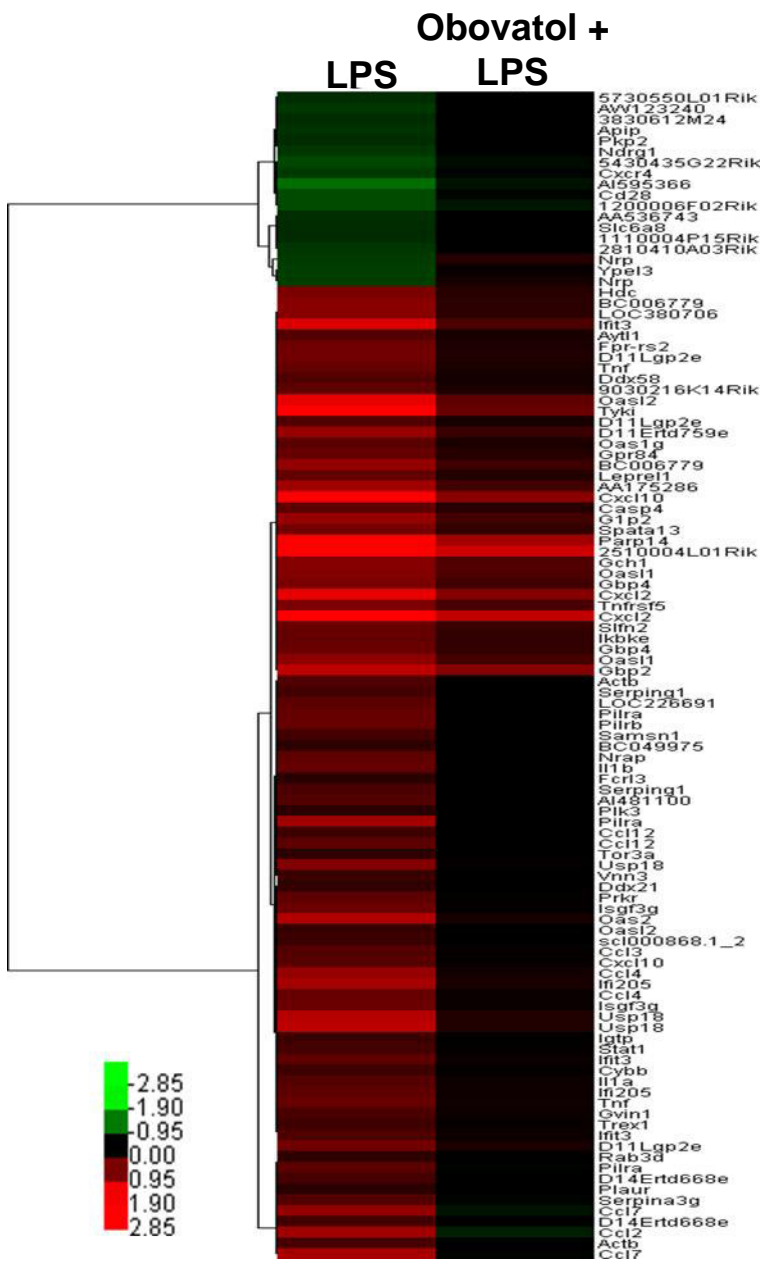


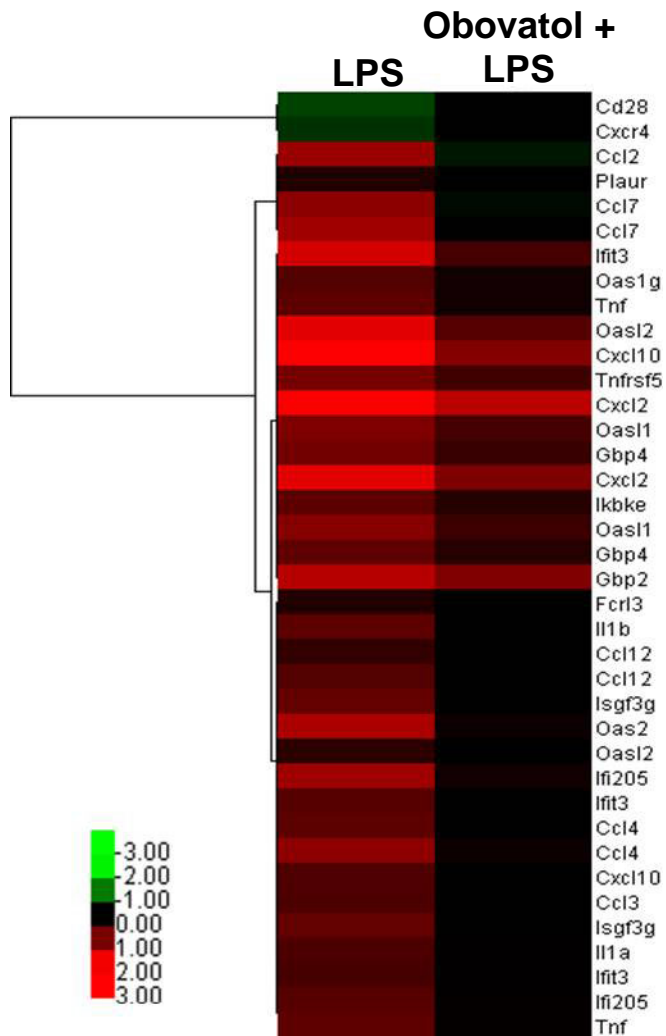
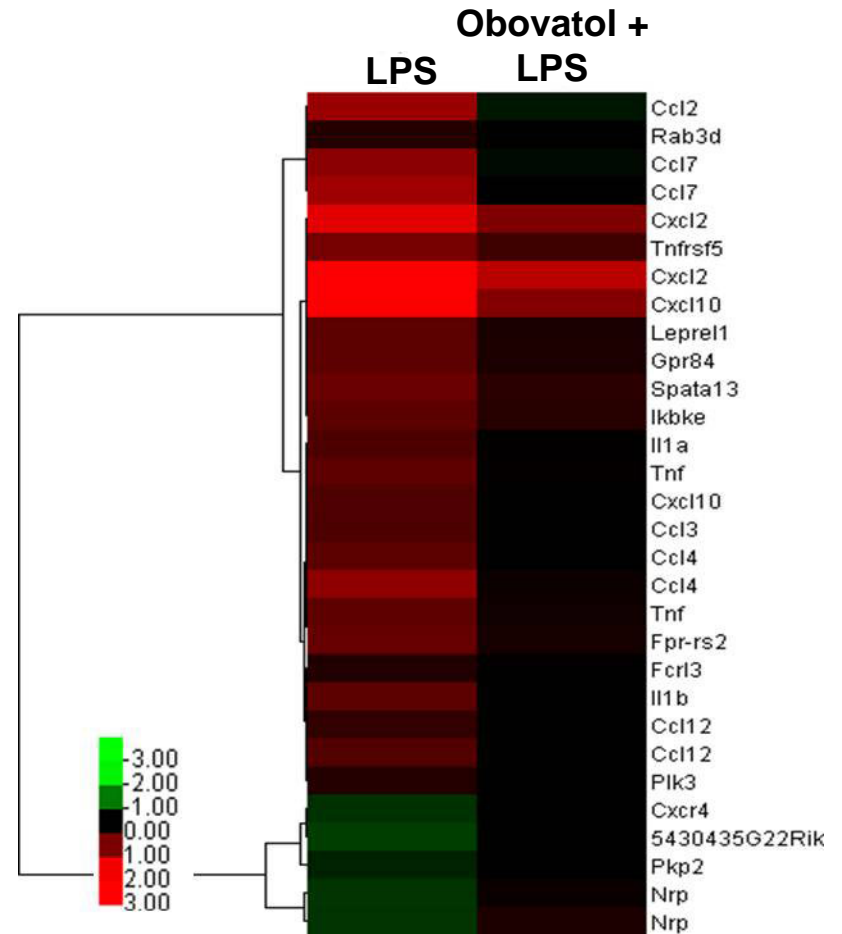
# Supplementary Figure 1



# Supplementary Figure 2

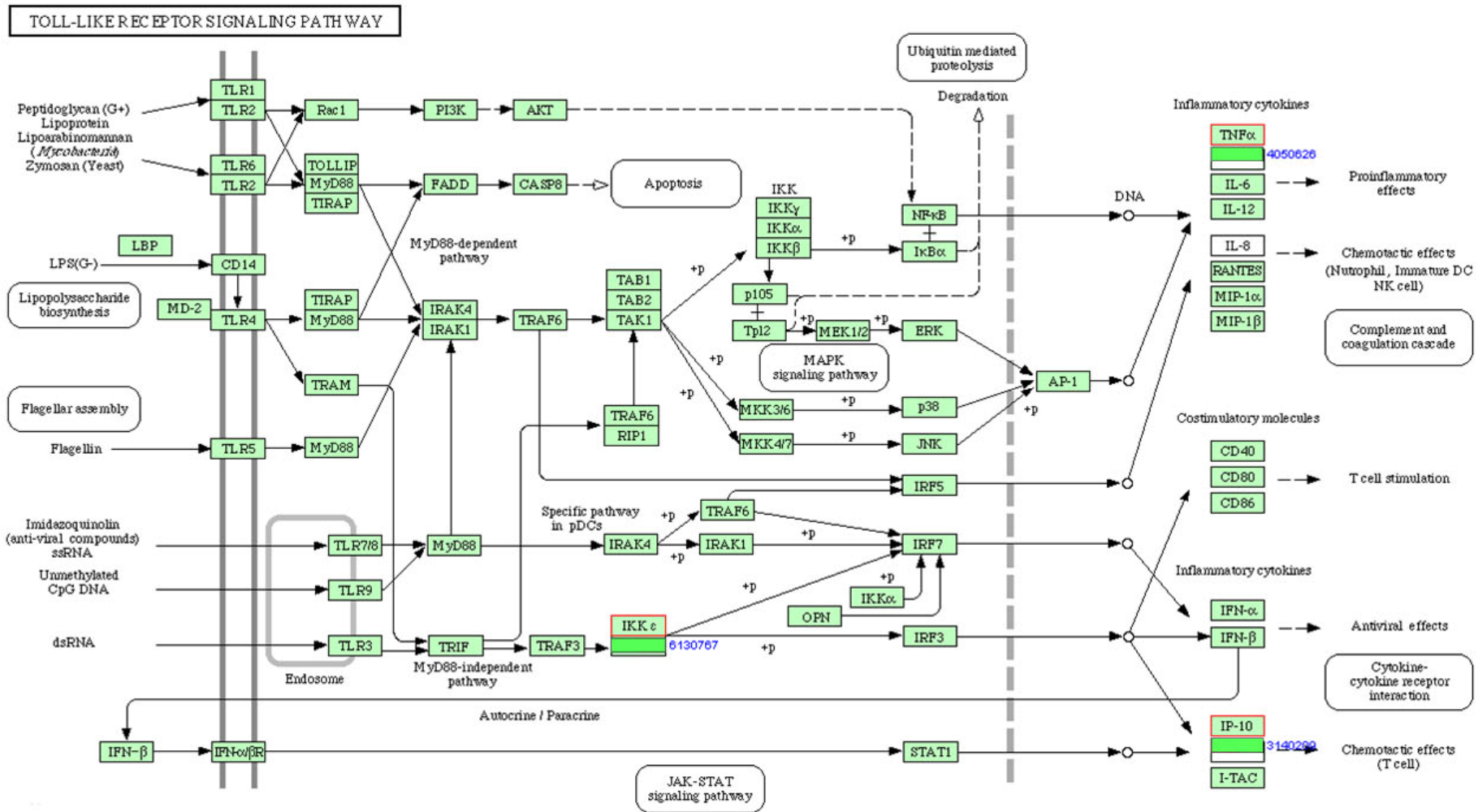
A



**B****Immunity/defense****Signal transduction**

# Supplementary Figure 3

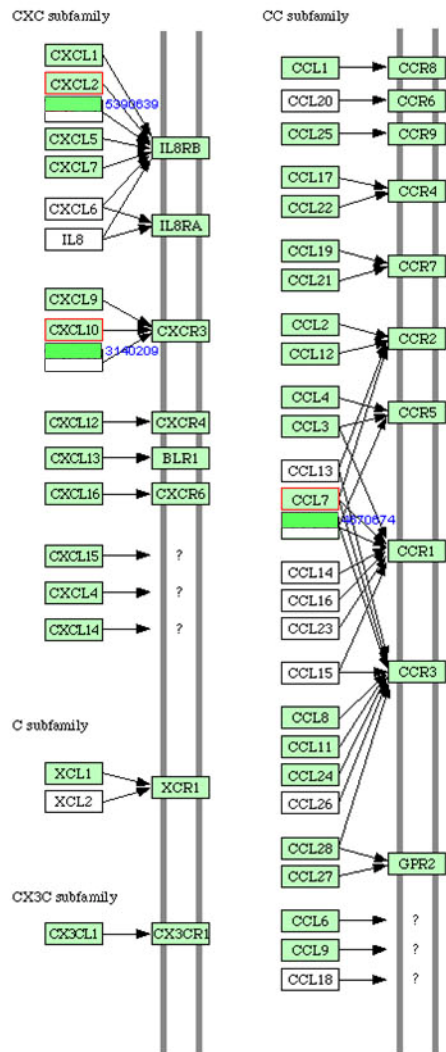
A



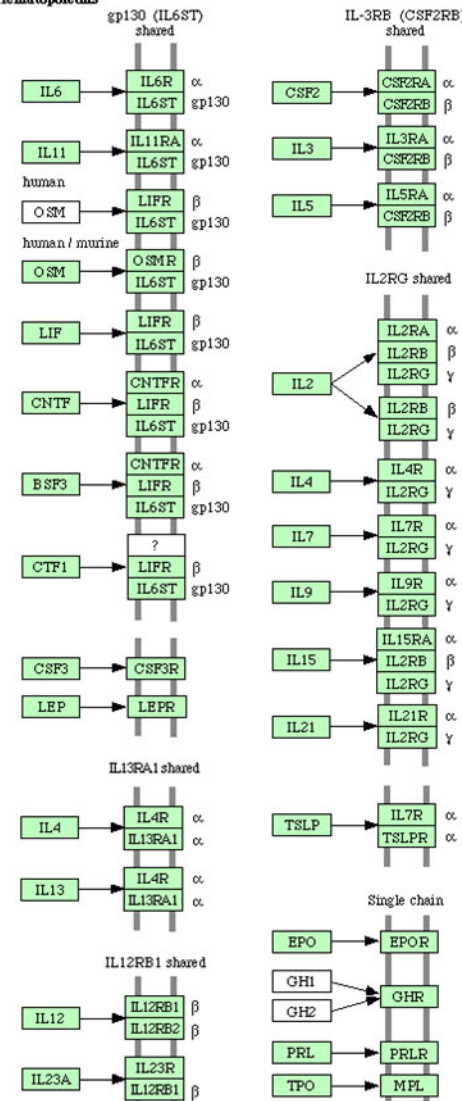
B

CYTOKINE-CYTOKINE RECEPTOR INTERACTION

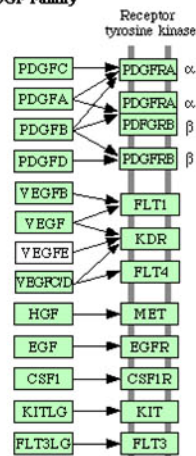
Chemokines



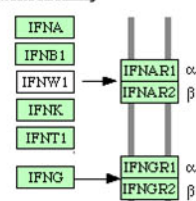
Hematopoietins



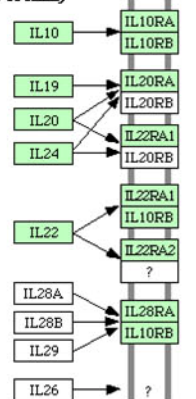
PDGF Family



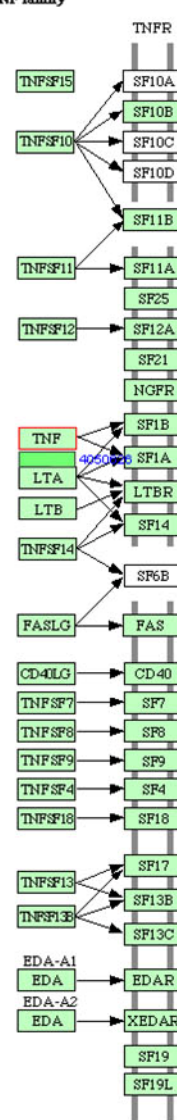
Interferon family



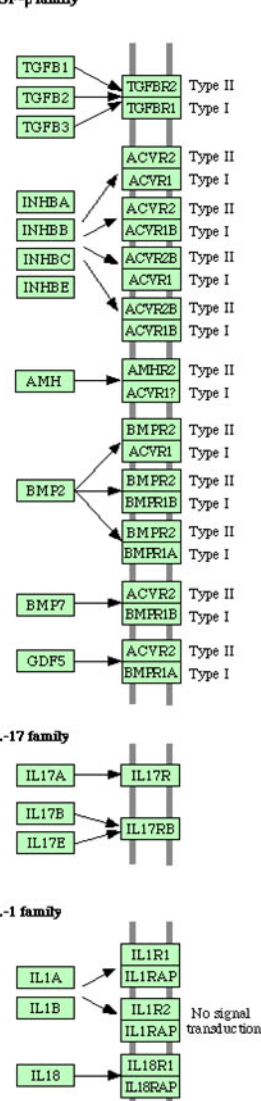
IL-10 family



TNF family



TGF-β family



# Supplementary Figure 4

