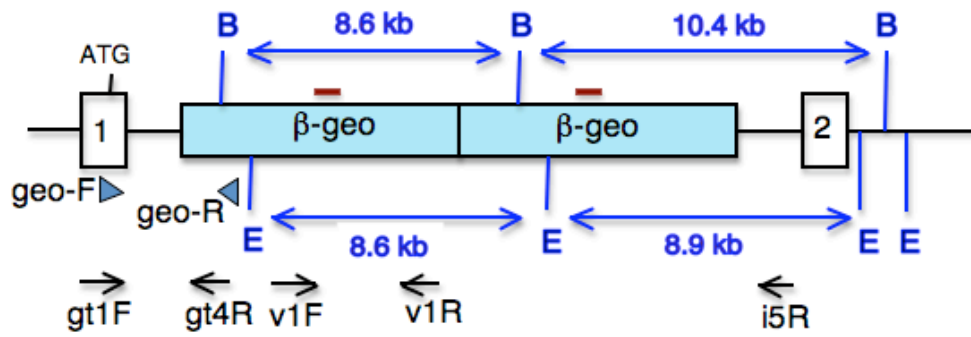
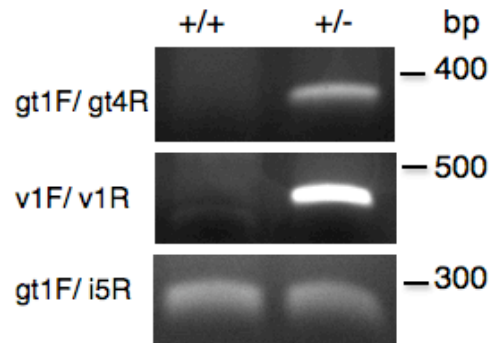


Supplementary Figure 2

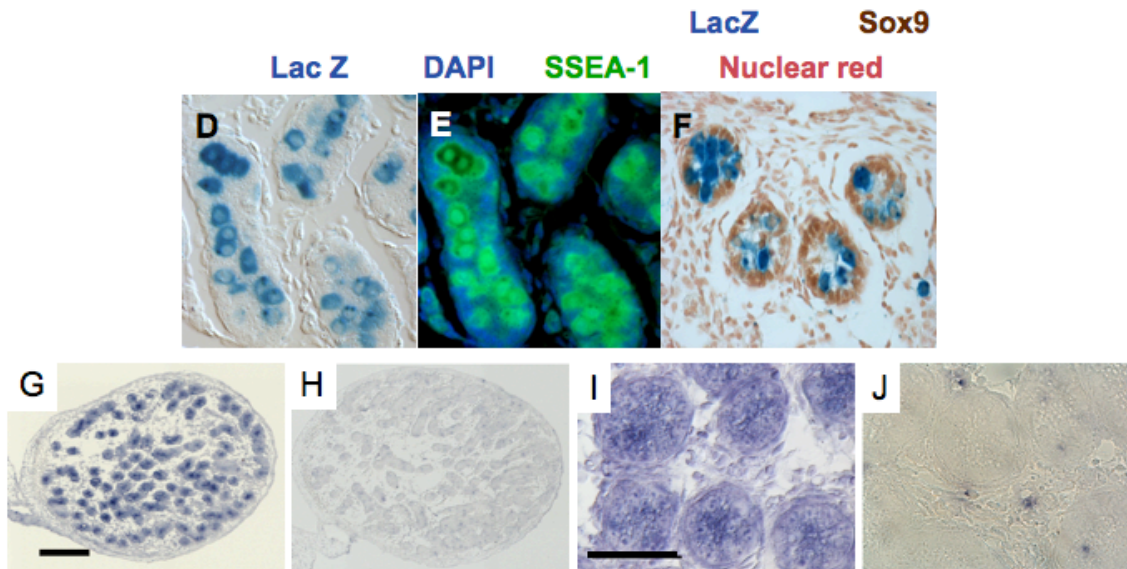
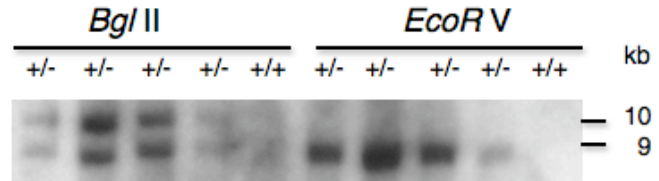
A



B



C



K

