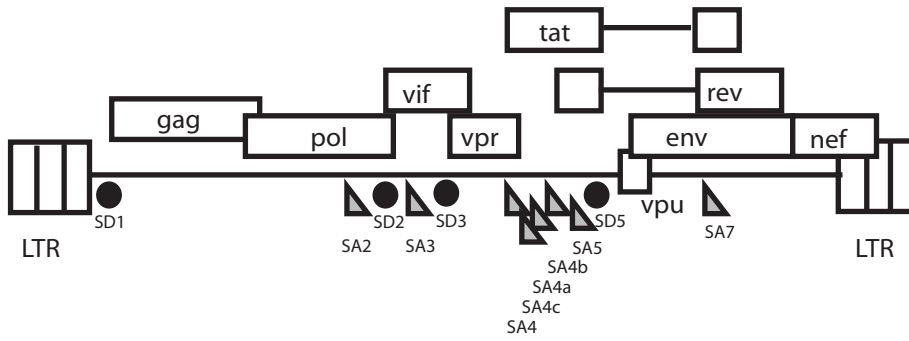
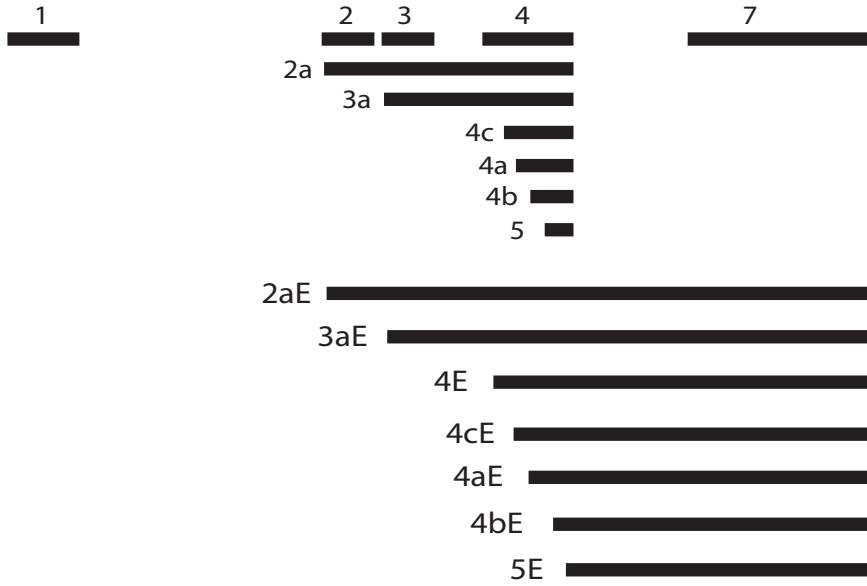


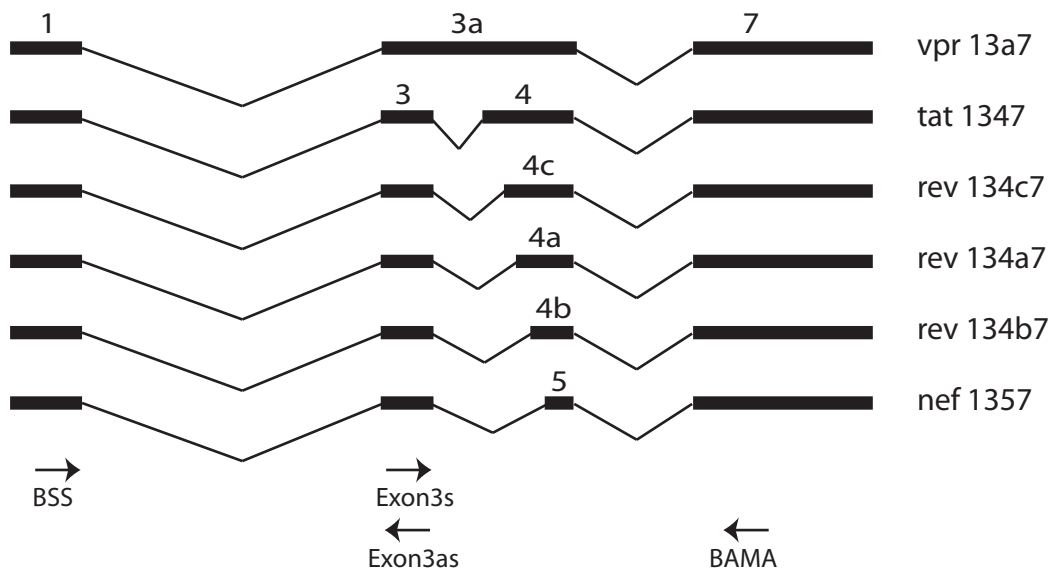
1A



B



C



Supplementary Figure 1. (A) Schematic representation of the HIV-1 genome, boxes indicate open reading frames, circles indicate 5'-splice sites and triangles indicate 3'-splice sites. Nomenclature of exons and splice sites follows the nomenclature of the Los Alamos HIV-1 sequence database:

www.hiv.lanl.gov/content/sequence/HIV/COMPENDIUM/1998/INTRO/landmarks.pdf

(B) The black bars represent previously designated HIV-1 exons. **(C)** Exon 3 containing mRNAs and RT-PCR oligonucleotides relevant to this work.