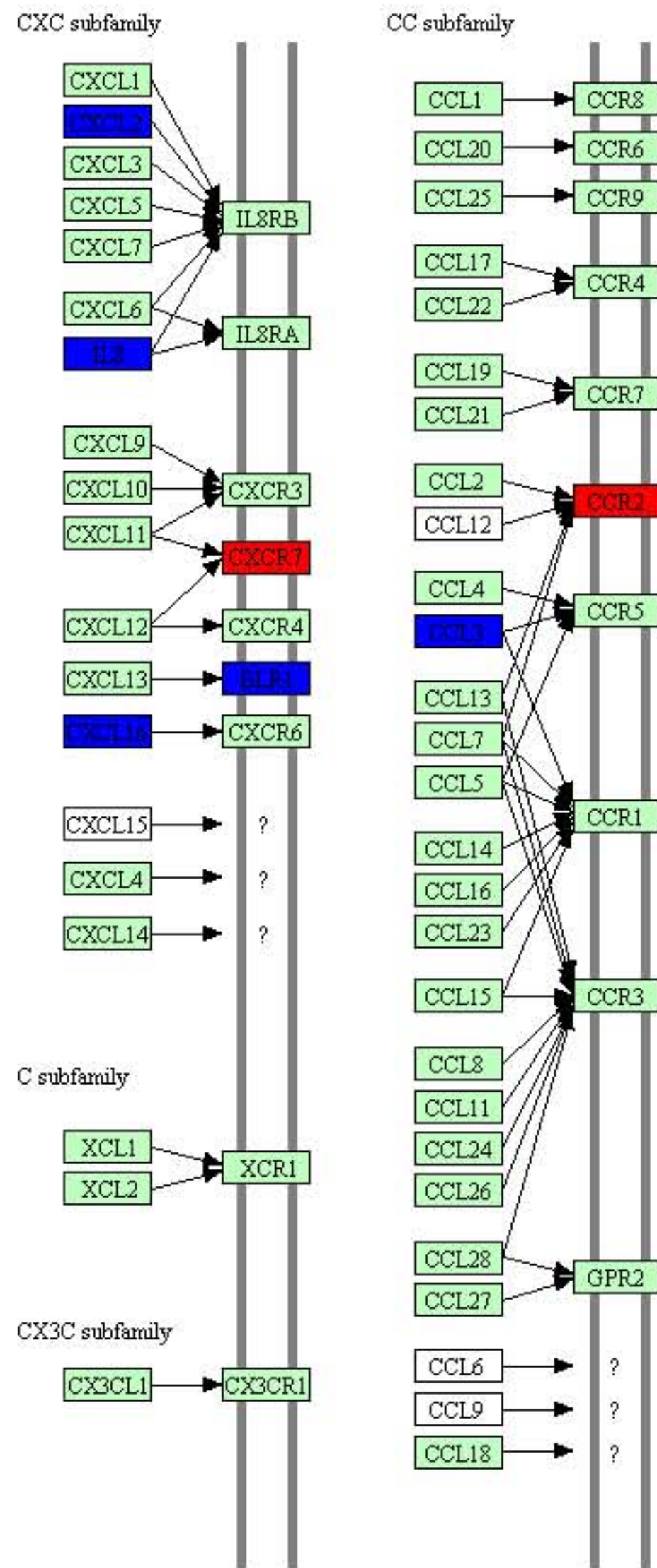
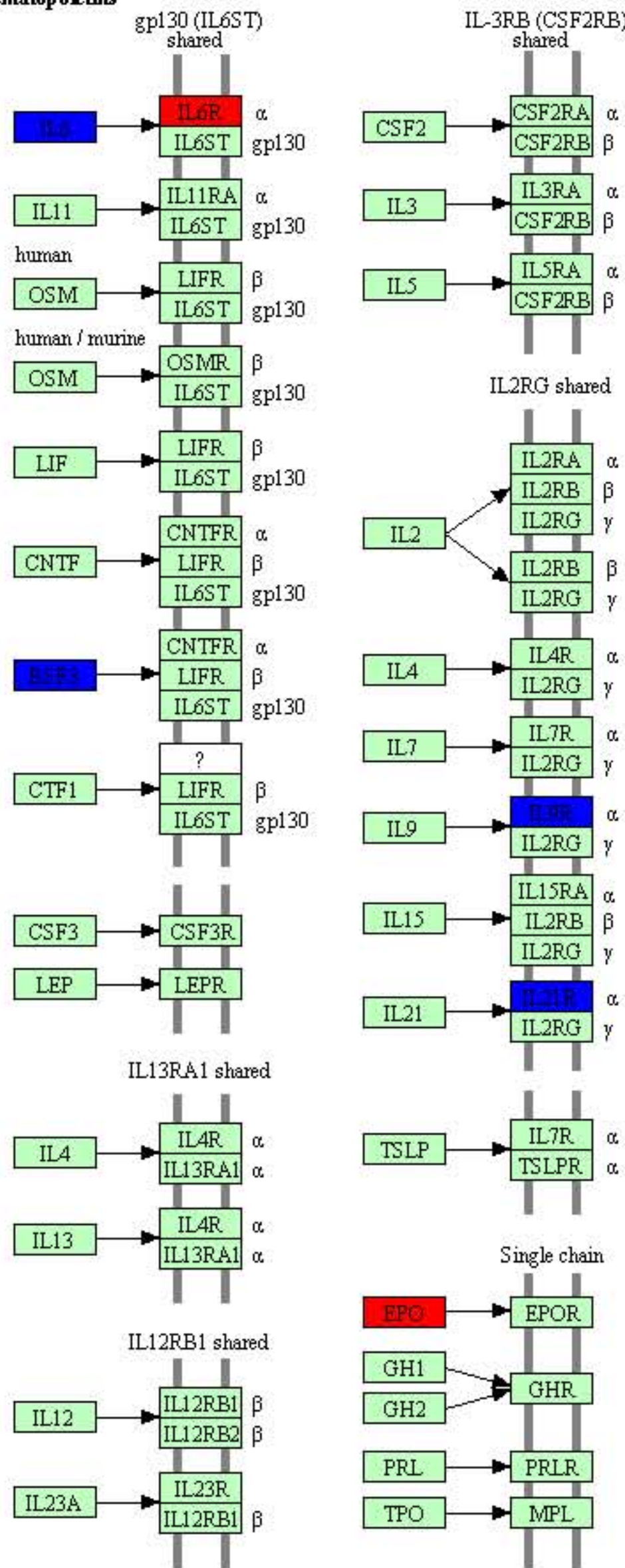


CYTOKINE-CYTOKINE RECEPTOR INTERACTION

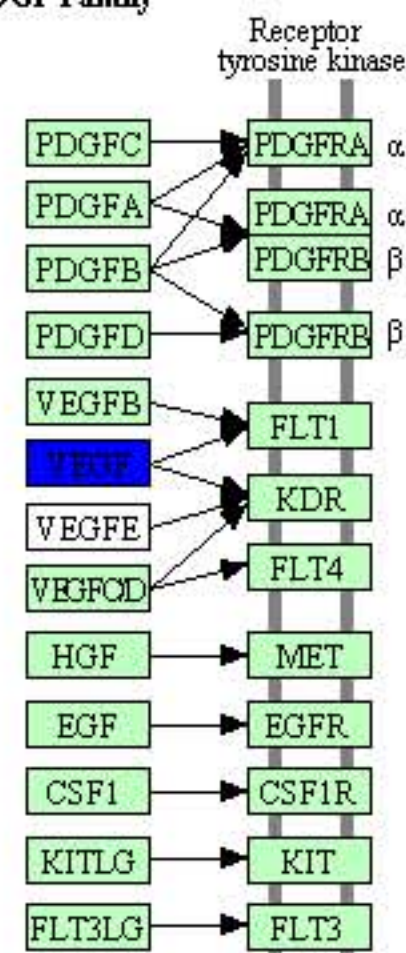
Chemokines



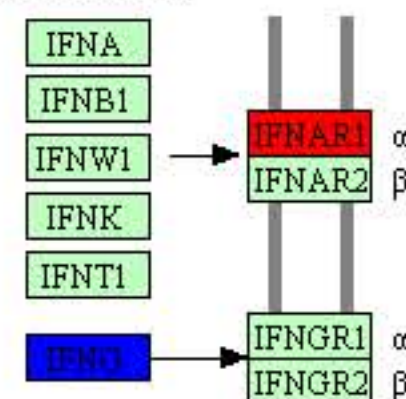
Hematopoietins



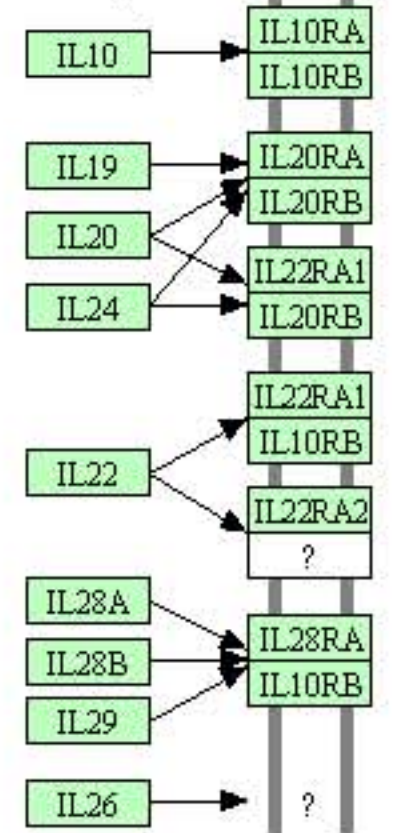
PDGF Family



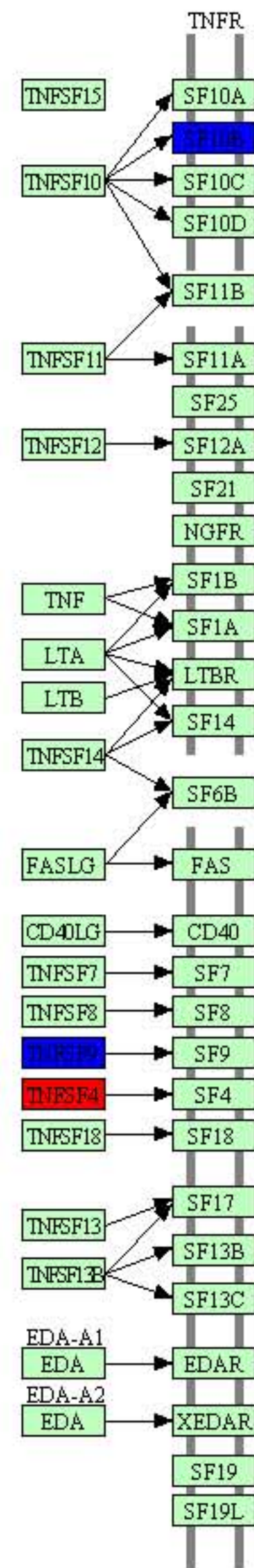
Interferon family



IL-10 family



TNF Family



TGF-β family

