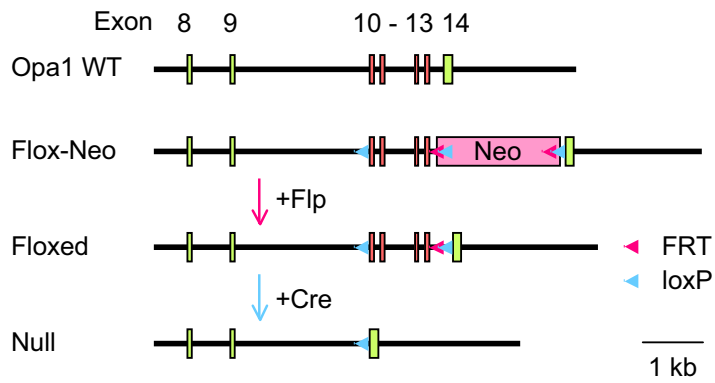
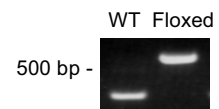


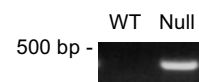
(A)



(B)



(C)



(D)

Genotypes of pups (%)		
Opa1+/+	Opa1+/-	Opa1-/-
30	70	0

(E)

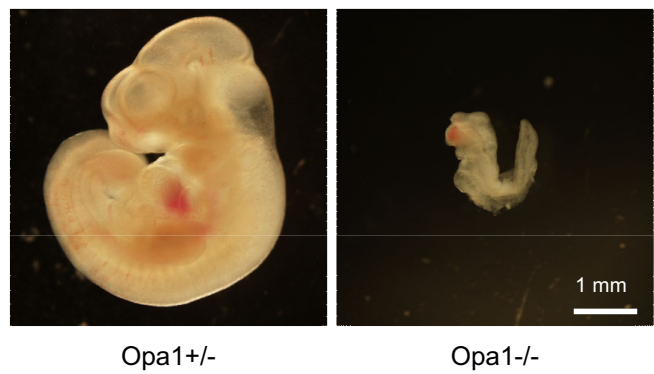


Figure S1. Zhang et al.

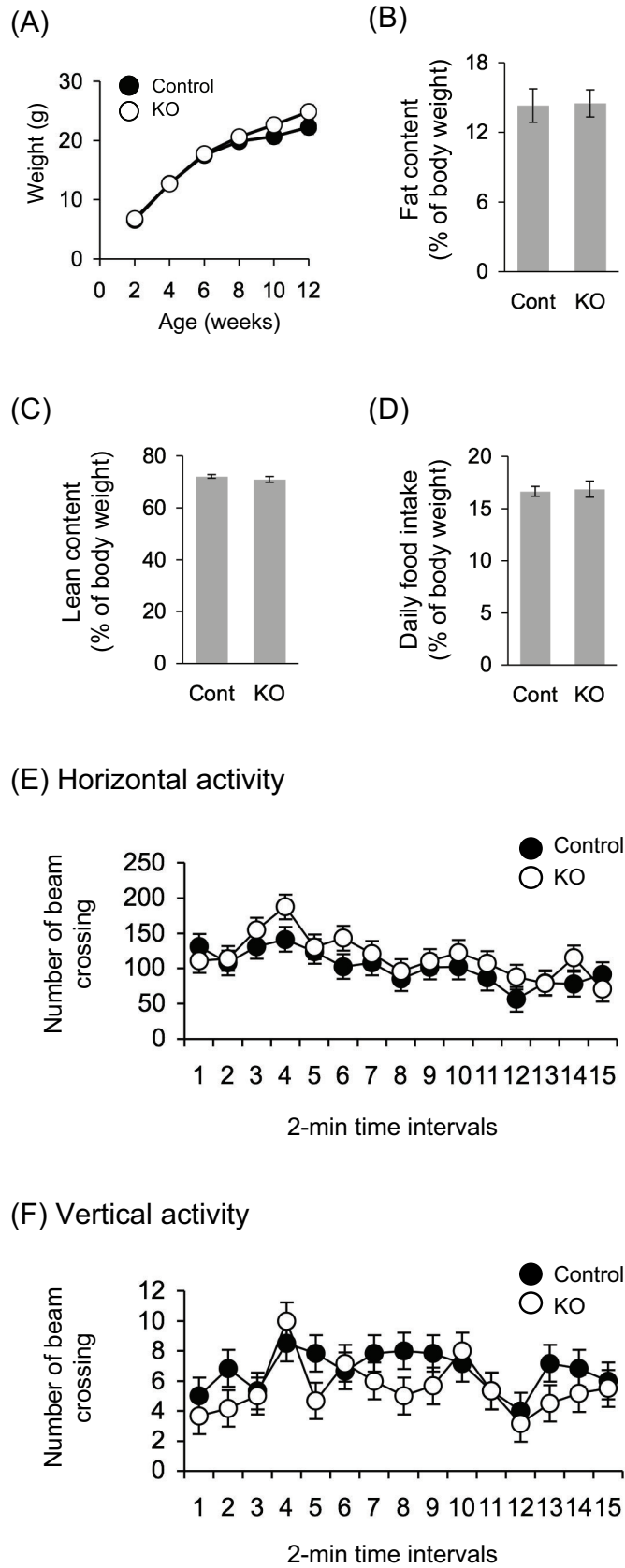


Figure S2. Zhang et al.