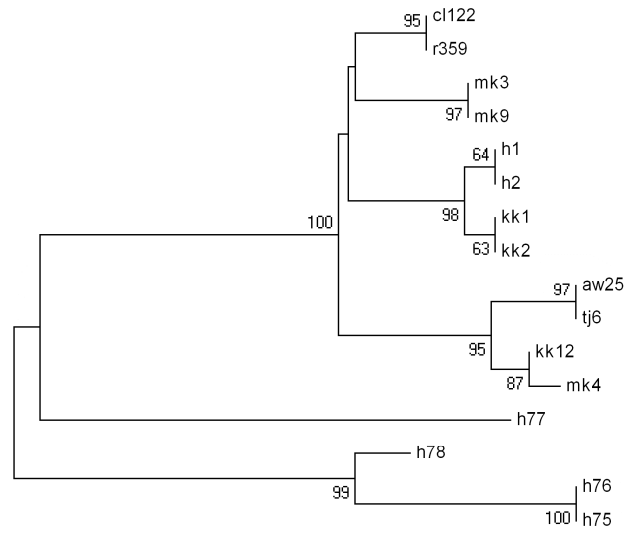


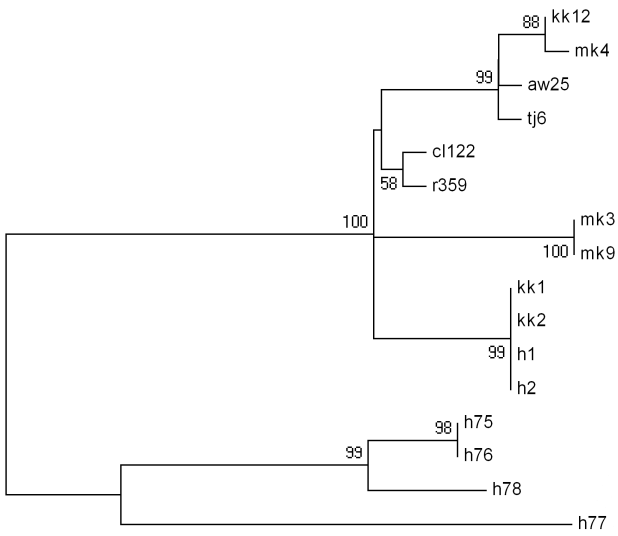
0.001

ND1



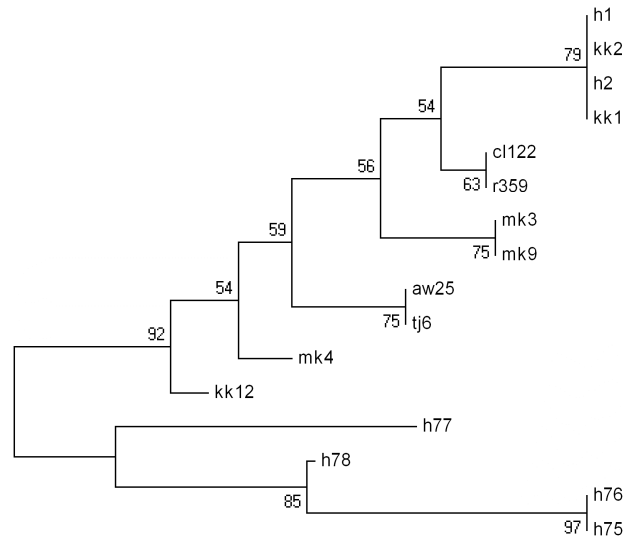
0.001

ND2



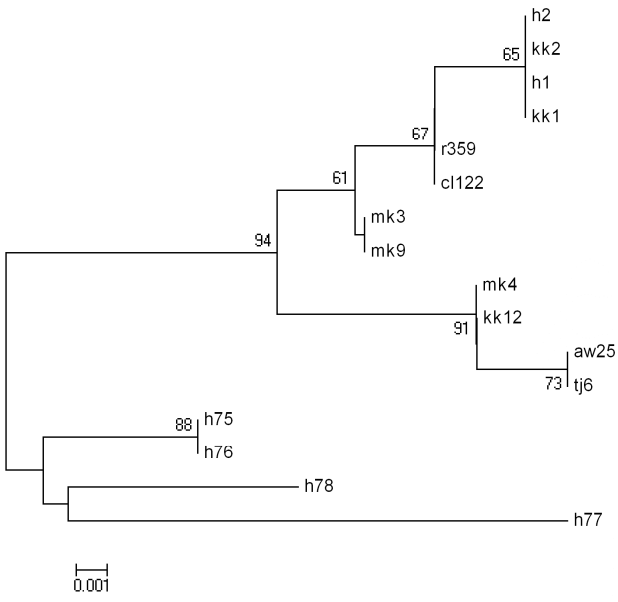
0.001

ND4

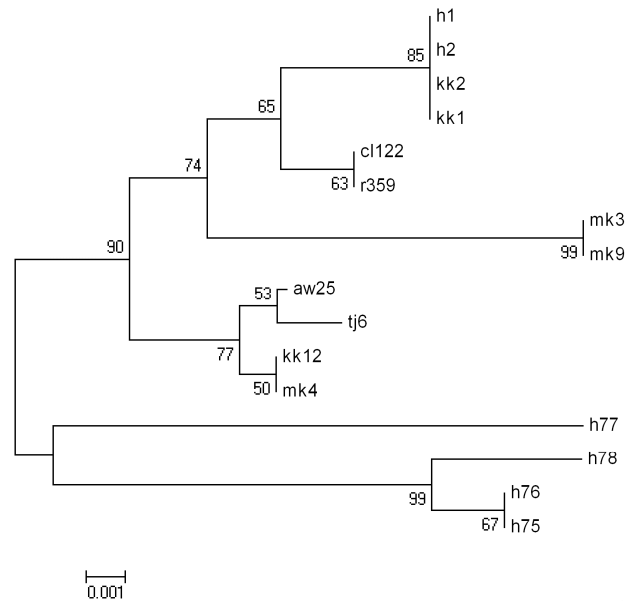


0.001

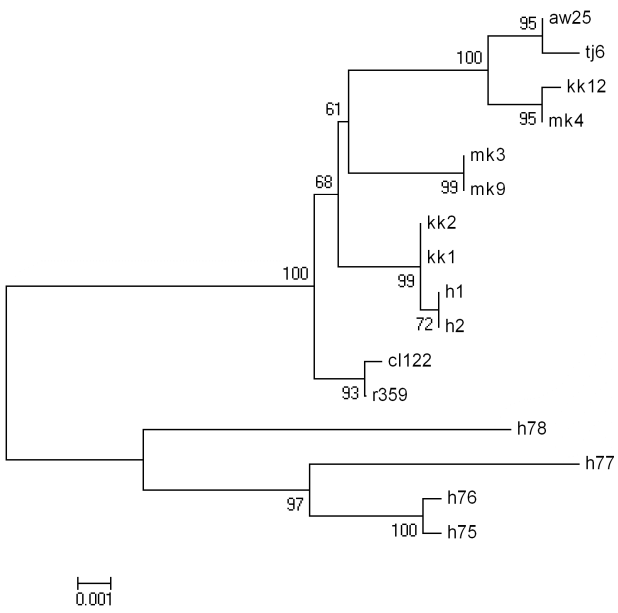
ND4L



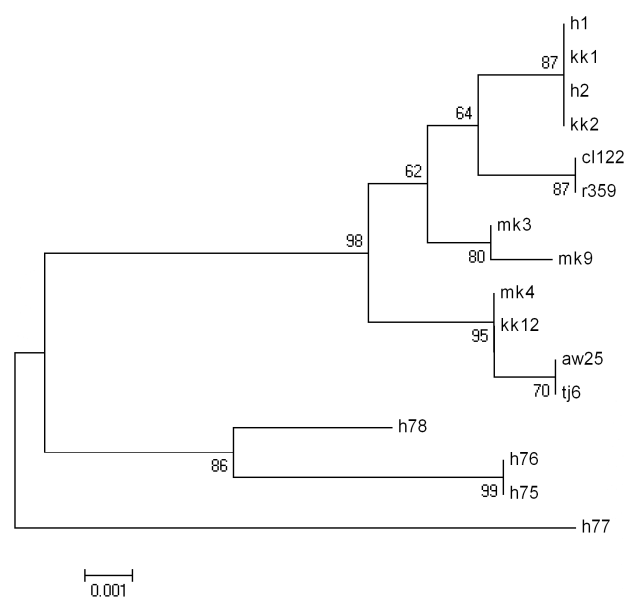
ND3



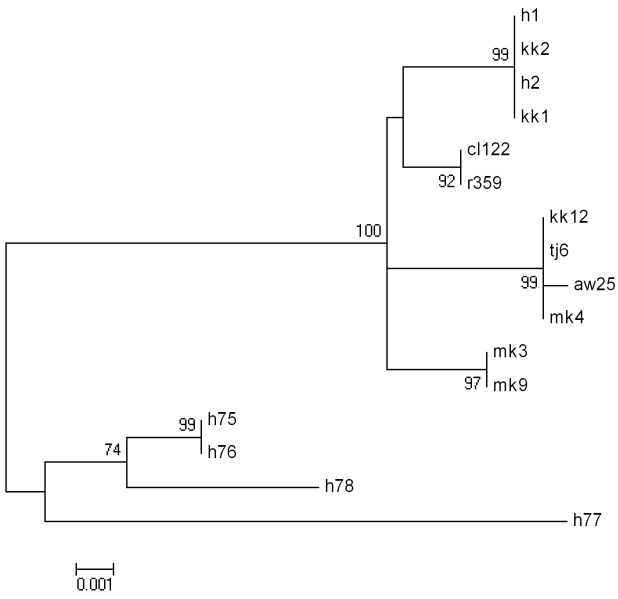
ND6L



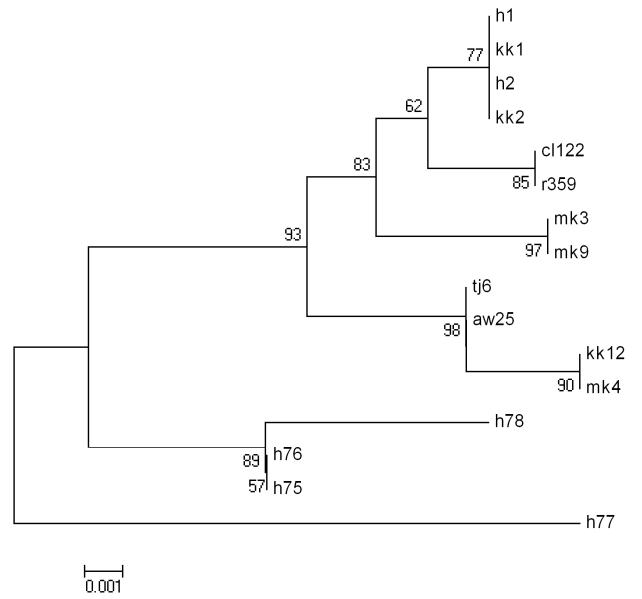
ND5



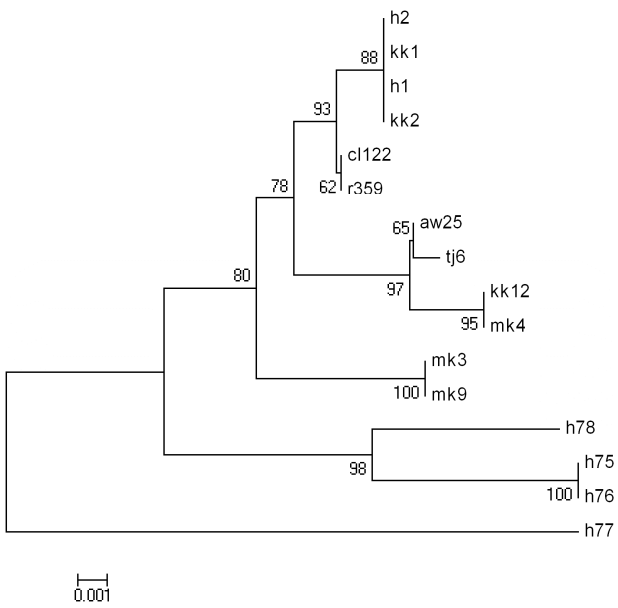
COIII



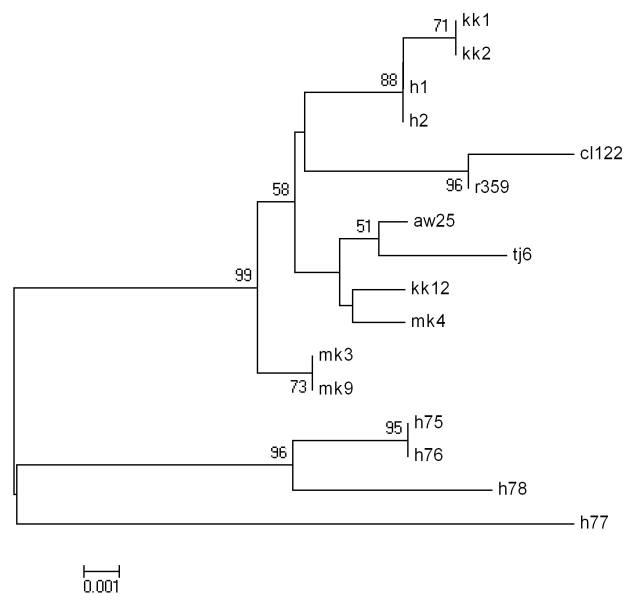
COI



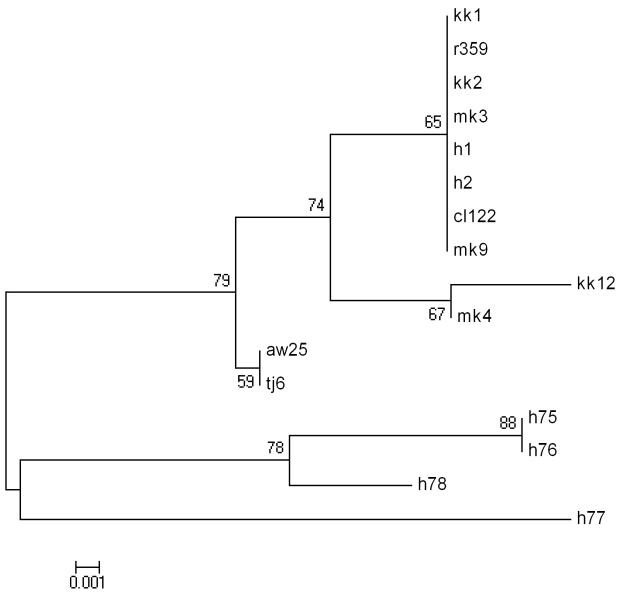
COII



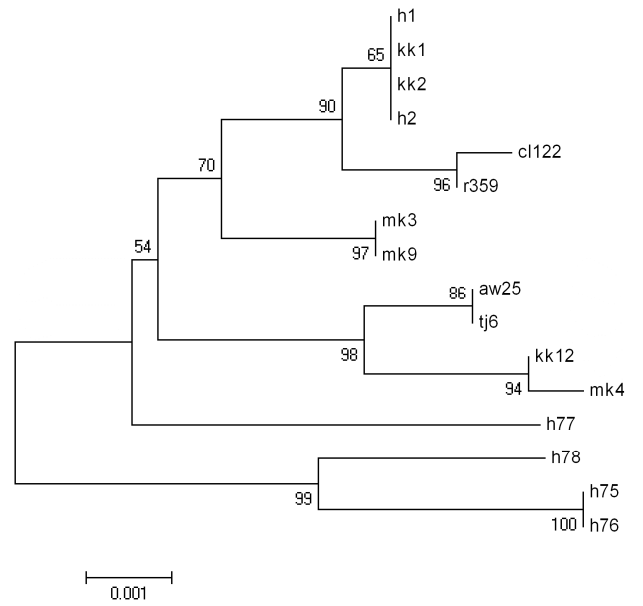
*Cyt b*



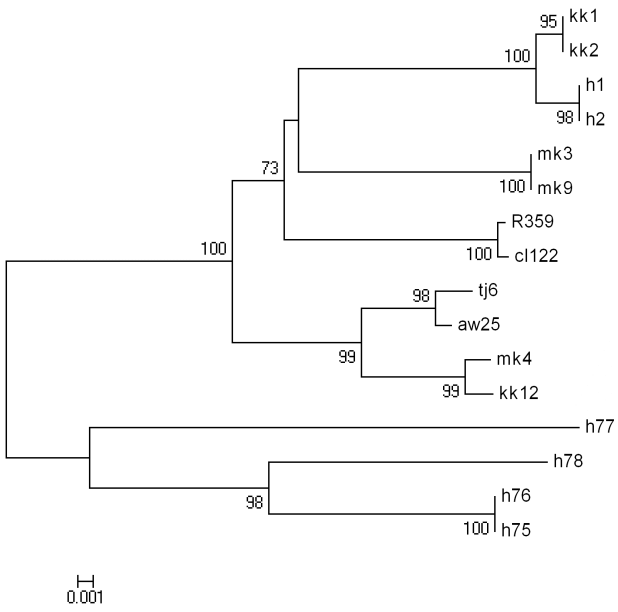
ATPase6



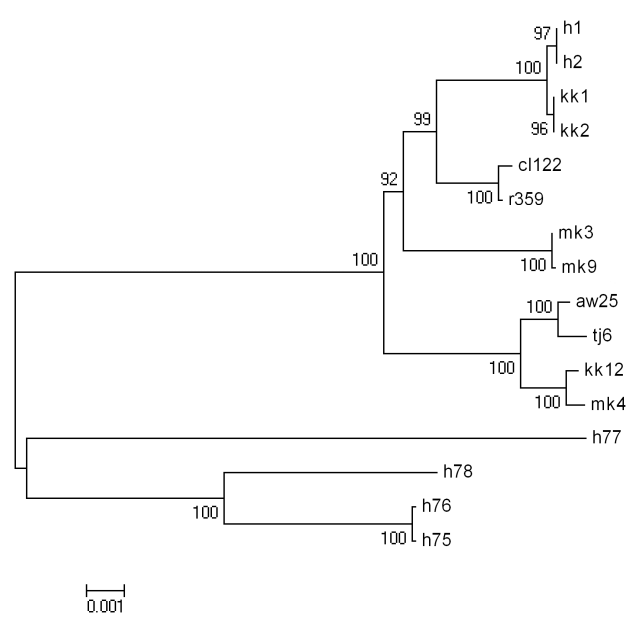
ATPase8



16s rRNA



Control Region



Protein Coding Genes Concatemer

Supplementary Figure 2.