

## Supporting Information

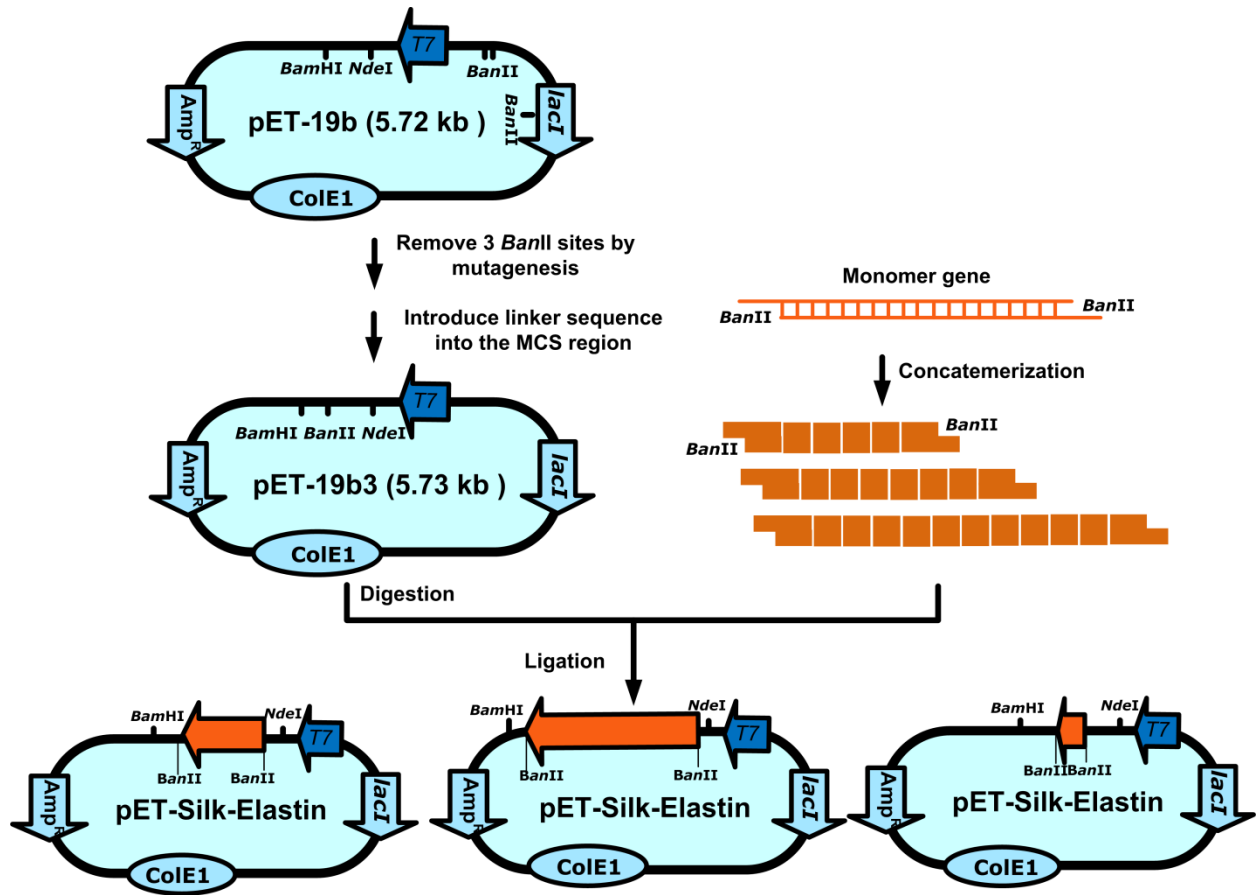


Figure S1. Construction of expression plasmids for recombinant silk elastin-like protein polymers. The monomer DNA sequences were designed and ordered from GenScript. Multimerization of the silk monomer is achieved through the “concatemerization” strategy relying on *BanII* restriction enzyme site.